



US00D869188S

(12) **United States Design Patent** (10) **Patent No.:** **US D869,188 S**  
**Parker et al.** (45) **Date of Patent:** **\*\* Dec. 10, 2019**

- (54) **CHAIR**
- (71) Applicant: **FORMWAY FURNITURE LIMITED**,  
Lower Hutt, Wellington (NZ)
- (72) Inventors: **Kent Wallace Parker**, Lower Hutt  
(NZ); **Martyn Walter Goodwin  
Collings**, Wellington (NZ); **Wayne  
Douglas O'Hara**, Lower Hutt (NZ);  
**Aaron Michael Young**, Lower Hutt  
(NZ); **Paul James Stevenson**,  
Wellington (NZ); **Gavin James  
Bateman**, Wellington (NZ); **Kai Xi  
Lin**, Wellington (NZ)
- (73) Assignee: **Formway Furniture Limited**,  
Wellington (NZ)
- (\*\*) Term: **15 Years**
- (21) Appl. No.: **29/702,937**
- (22) Filed: **Aug. 22, 2019**

**Related U.S. Application Data**

- (62) Division of application No. 29/612,787, filed on Aug. 3, 2017.

(30) **Foreign Application Priority Data**

- Feb. 3, 2017 (NZ) ..... 422651
- (51) **LOC (12) Cl.** ..... **06-01**
- (52) **U.S. Cl.**  
USPC ..... **D6/375**
- (58) **Field of Classification Search**  
USPC ..... D6/334-336, 371, 372, 373, 374, 375,  
D6/376, 379, 716, 716.1, 716.2, 716.4  
CPC .... A47C 3/04; A47C 3/12; A47C 4/02; A47C  
4/03; A47C 4/024; A47C 4/025; A47C  
5/12; A47C 7/16

See application file for complete search history.

(56) **References Cited**

U.S. PATENT DOCUMENTS

D573,363 S 7/2008 Pillet  
D665,187 S 8/2012 Li

(Continued)

FOREIGN PATENT DOCUMENTS

WO 2015/041796 A1 3/2015

OTHER PUBLICATIONS

Institute fur Architektur and Medien, *Scan Your Bodyshape*, believed published about 2010, 2 pages.

(Continued)

*Primary Examiner* — Mimoso De

(74) *Attorney, Agent, or Firm* — Workman Nydegger

(57) **CLAIM**

The ornamental design for a chair, as shown and described.

**DESCRIPTION**

FIG. 1 is a perspective view of a chair showing our new design;

FIG. 2 is a front elevational view thereof;

FIG. 3 is a rear elevational view thereof;

FIG. 4 is a left side elevational view thereof;

FIG. 5 is a right side elevational view thereof;

FIG. 6 is a top plan view thereof;

FIG. 7 is a perspective view of a second embodiment of the chair;

FIG. 8 is a front elevational view thereof;

FIG. 9 is a rear elevational view thereof;

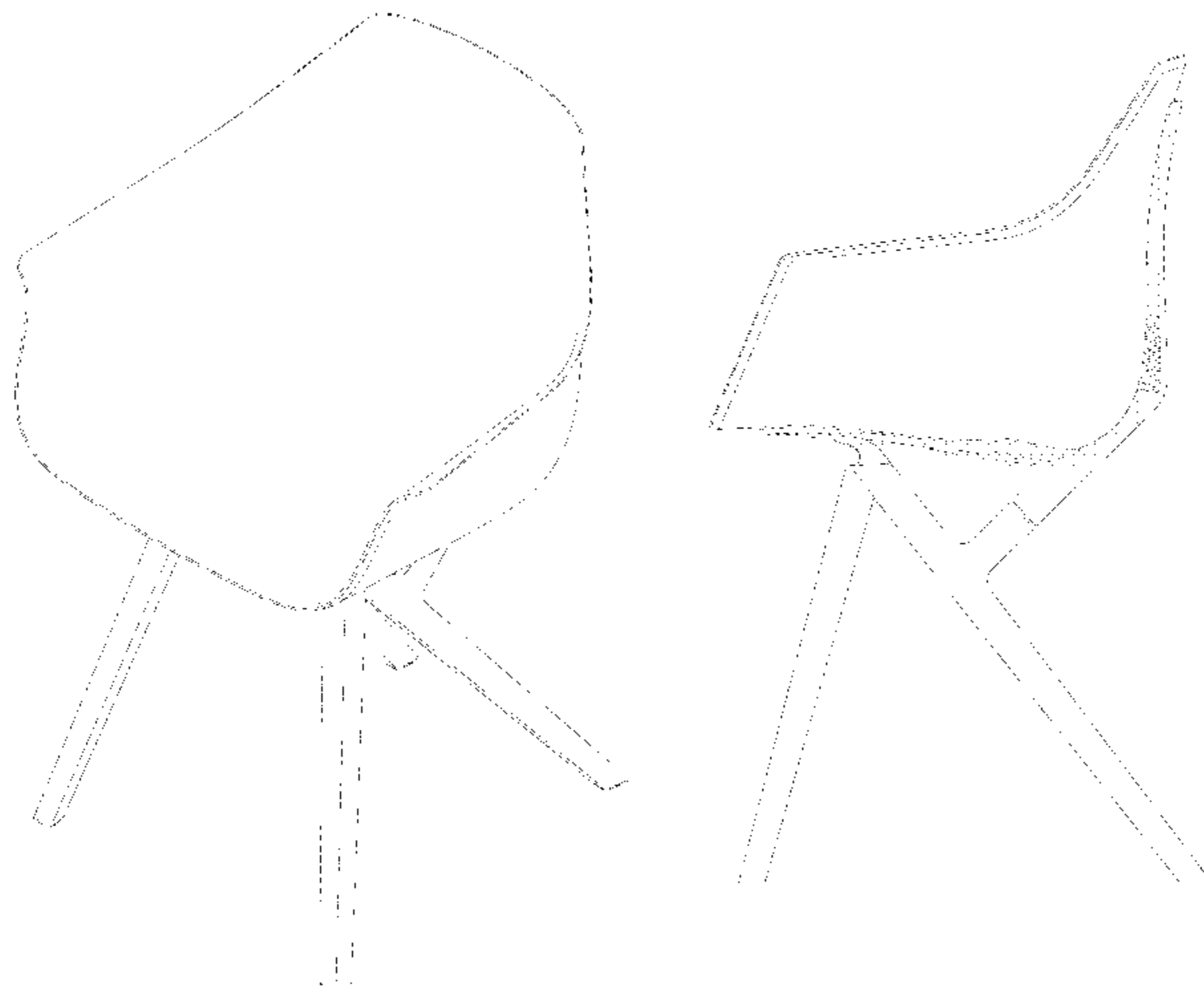
FIG. 10 is a left side elevational view thereof;

FIG. 11 is a right side elevational view thereof; and,

FIG. 12 is a top plan view thereof.

The broken lines showing features of the design are for the purpose of illustration only and form no part of the claimed design.

**1 Claim, 12 Drawing Sheets**



(56)

**References Cited**

U.S. PATENT DOCUMENTS

D686,831 S	*	7/2013	Lemson .....	D6/375
D748,927 S		2/2016	Feichtner	
D798,068 S	*	9/2017	Iqbal .....	D6/373
D798,617 S	*	10/2017	Iqbal .....	D6/334
D818,286 S		5/2018	Galiotto	
D820,625 S	*	6/2018	Steinmeijer .....	D6/716
D825,216 S	*	8/2018	Schaeffer .....	D6/375
D832,608 S		11/2018	Liu	
D836,360 S	*	12/2018	Novak .....	D6/375

OTHER PUBLICATIONS

Mina Konakovic et al., *Beyond Developable: Computational Design and Fabrication with Auxetic Materials*, Siggraph' 16 Technical Paper, Jul. 24-28, 2016, 11 pp.  
 Allsteel Brochure, *Inspire*, cms.allsteeloffice.com/SynergyDocuments/InspireBrochure.pdf, publication date unknown but believed published prior to Aug. 3, 2017.

Moooi Carbon Chair by Bertjan Pot + Marcel Wanders, 2004, <https://www.moooi.com/products/carbon-chair>, 5 pp.

Variation from Uniformity, <https://spacesymmetrystructure.wordpress.com/2012/10/15/variation-from-uniformity/>—publication date appears to be Oct. 2012, 4 pp.

Konstantin Grcic Industrial Design, Myto projects, <http://konstantin-grcic.com/projects/myto/>, published as early as 2008, pp. 14.

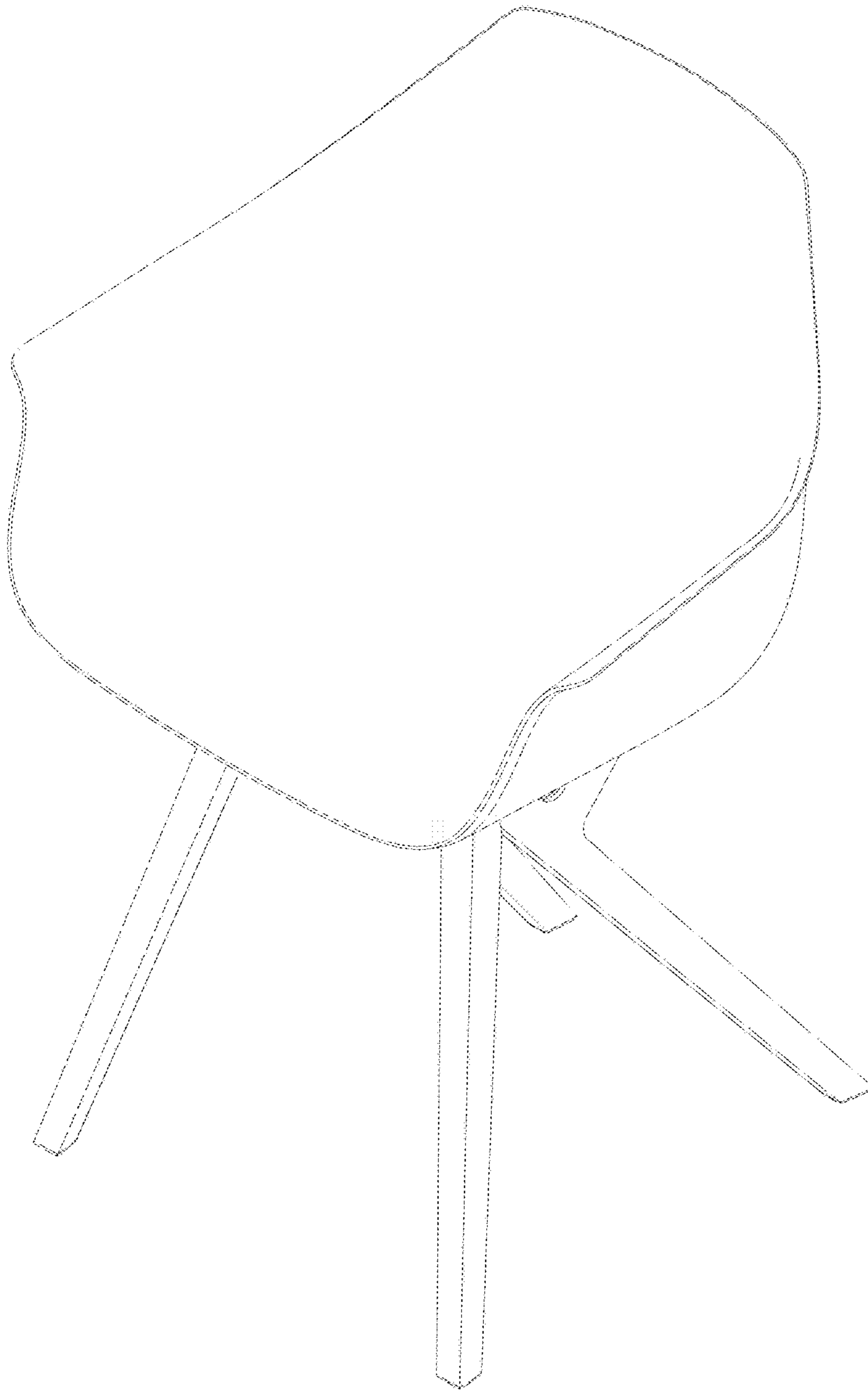
Hermam Miller (USA), + Vitra (EU) DAW by Charles and Ray Eames, 1950, <https://www.vitra.com/en-ch/living/product/details/eamesplastic-armchair-daw>.

Hermam Miller (USA), + Vitra (EU) DAW by Charles and Ray Eames, 1950, <https://www.vitra.com/en-ch/living/product/details/eamesplastic-side-chair-dsw>.

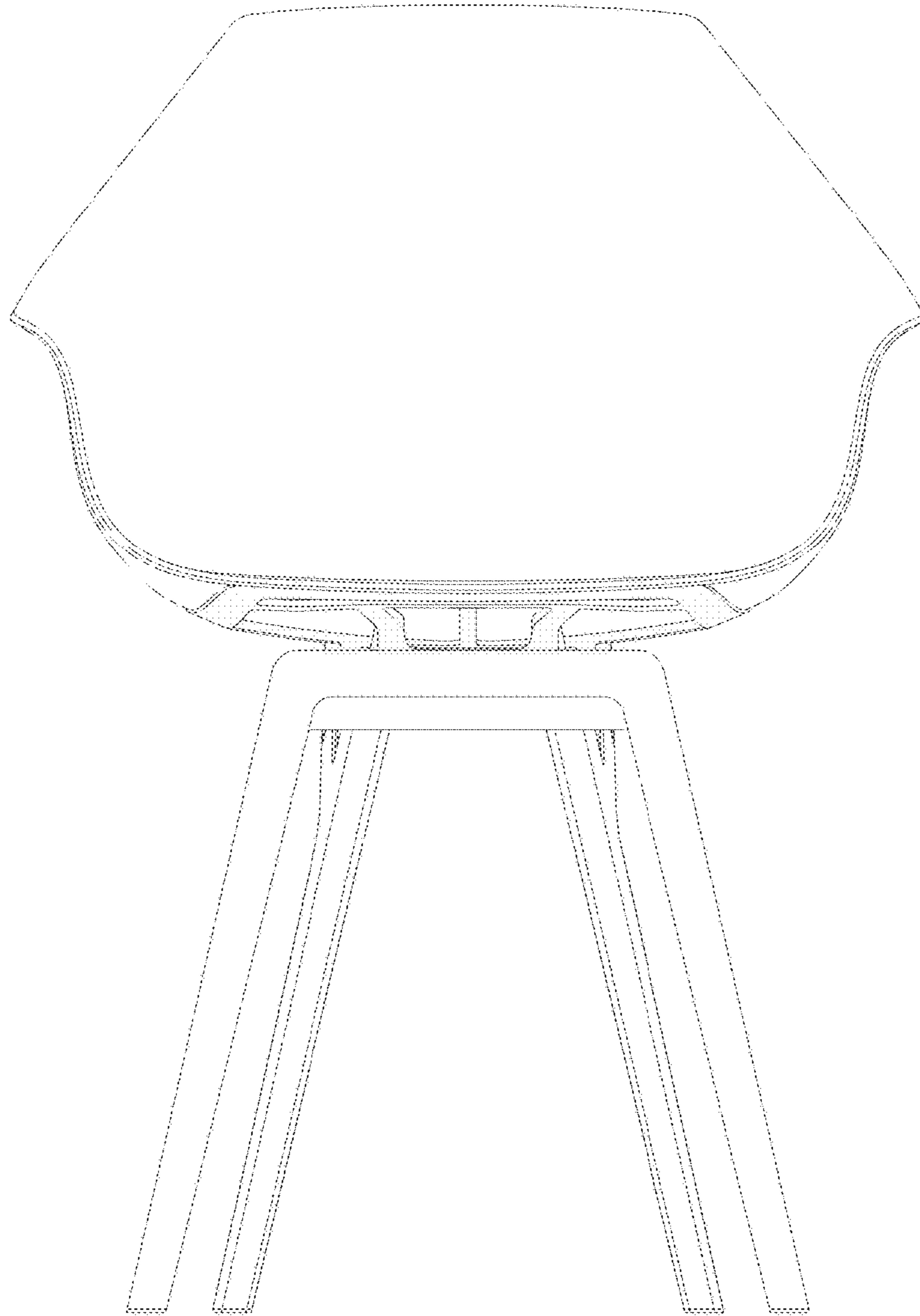
Hermam Miller (USA), + Vitra (EU) DAW by Charles and Ray Eames, 1951, <https://www.vitra.com/en-gb/living/product/details/wirechair-dkx>.

Hay, About a Chair 22 (AAC22), by Hee Welling, 2010, <http://hay.dk/en/products/furniture/seating/chairs/about-a-chair>.

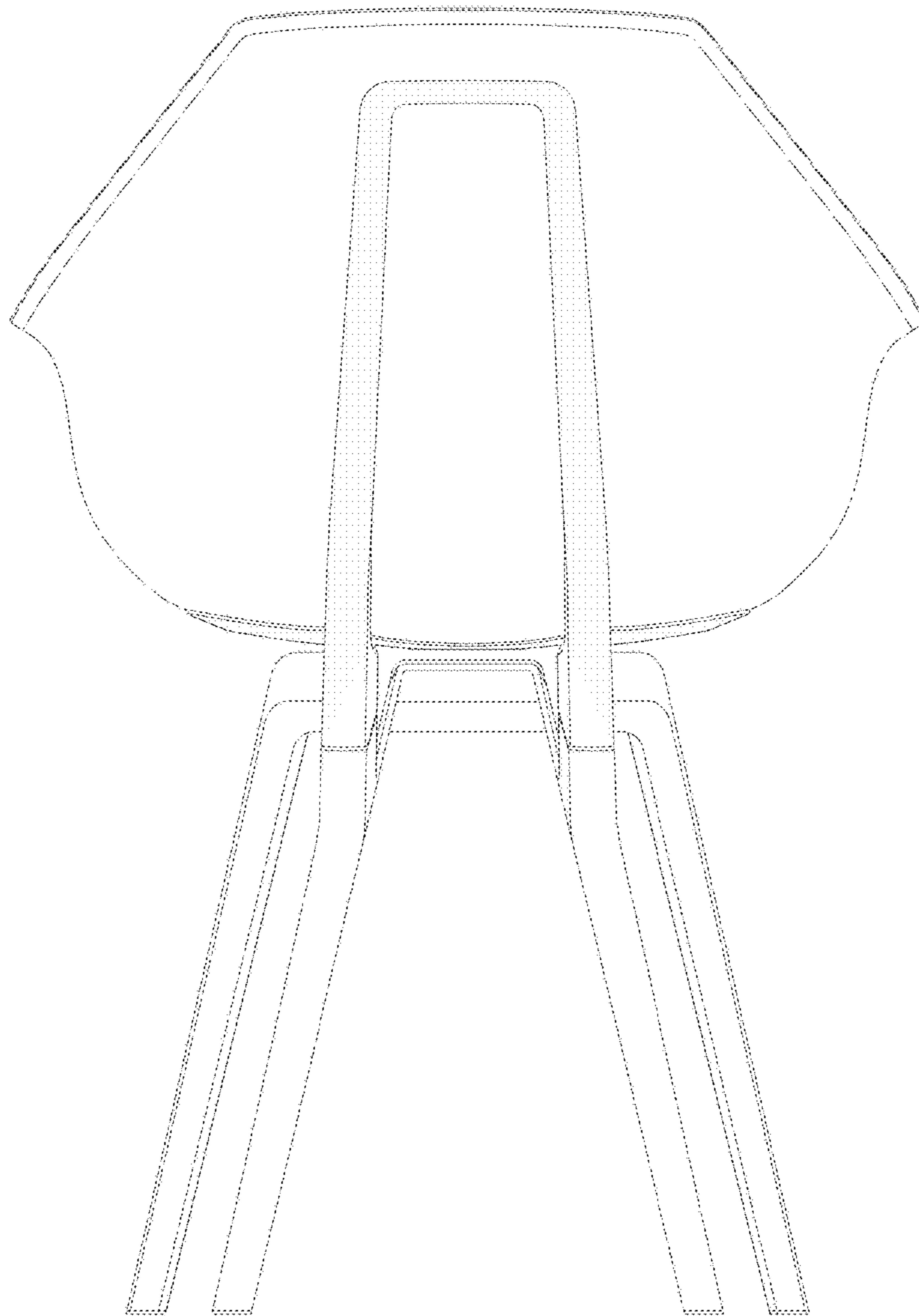
\* cited by examiner



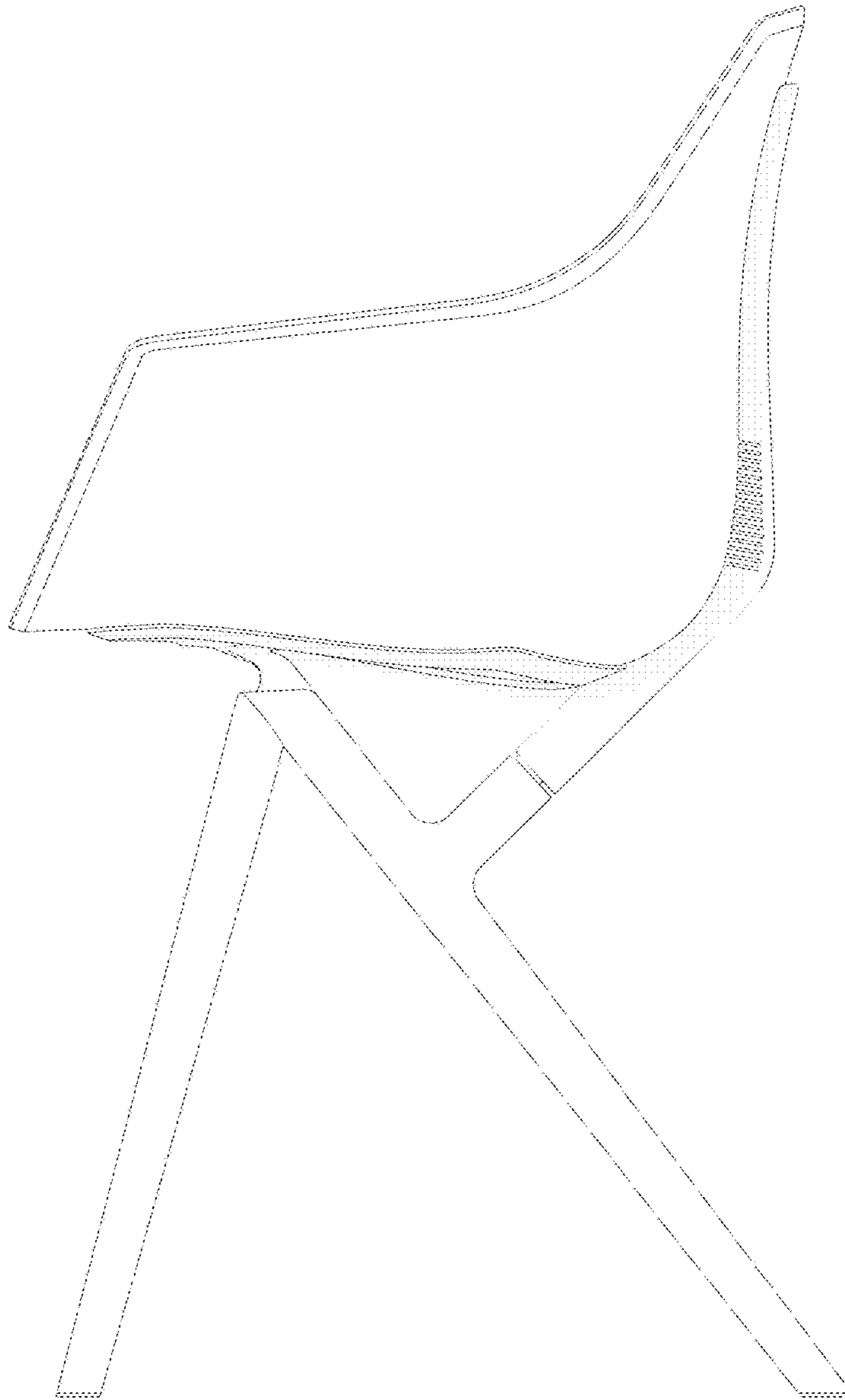
**FIGURE 1**



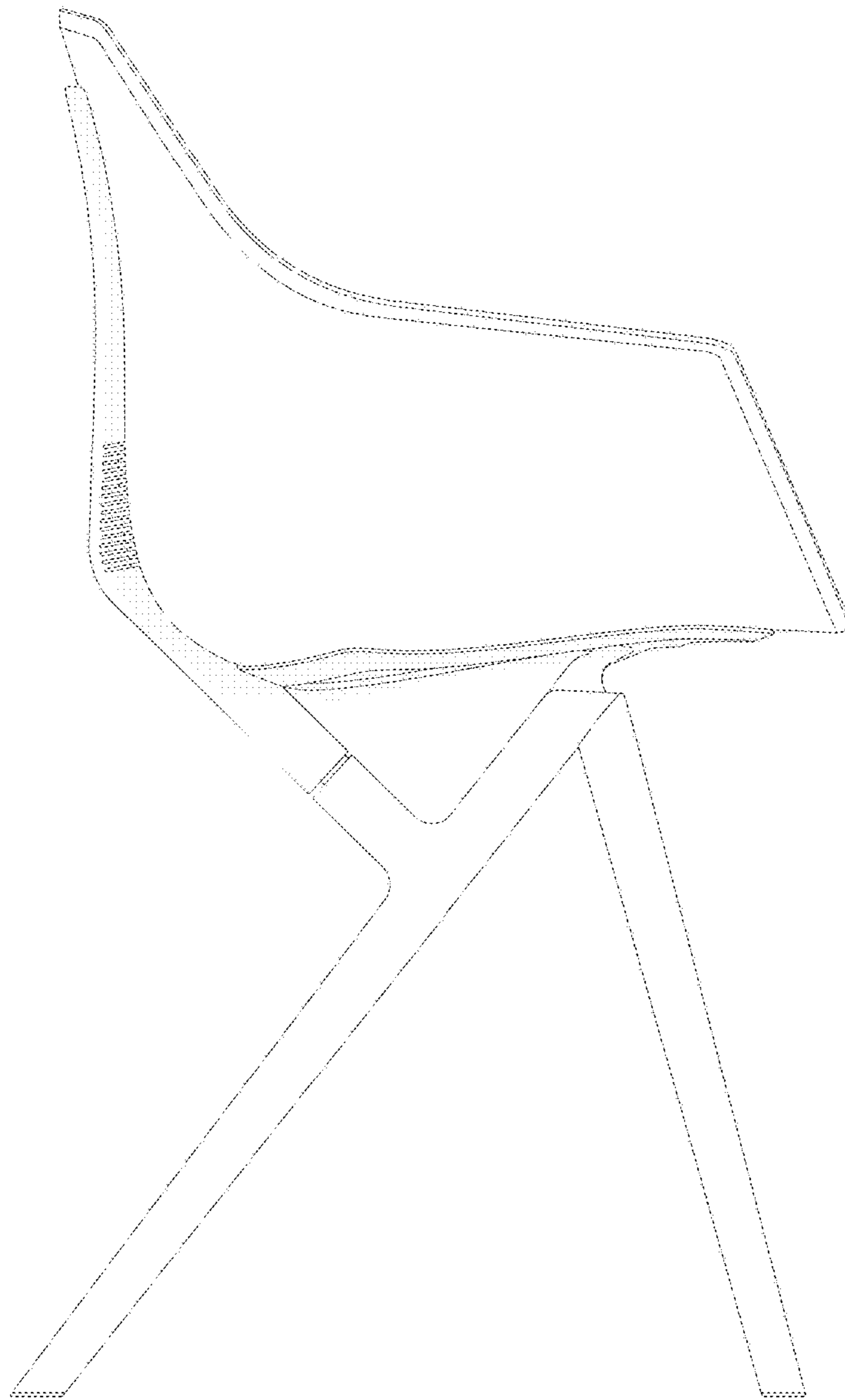
**FIGURE 2**



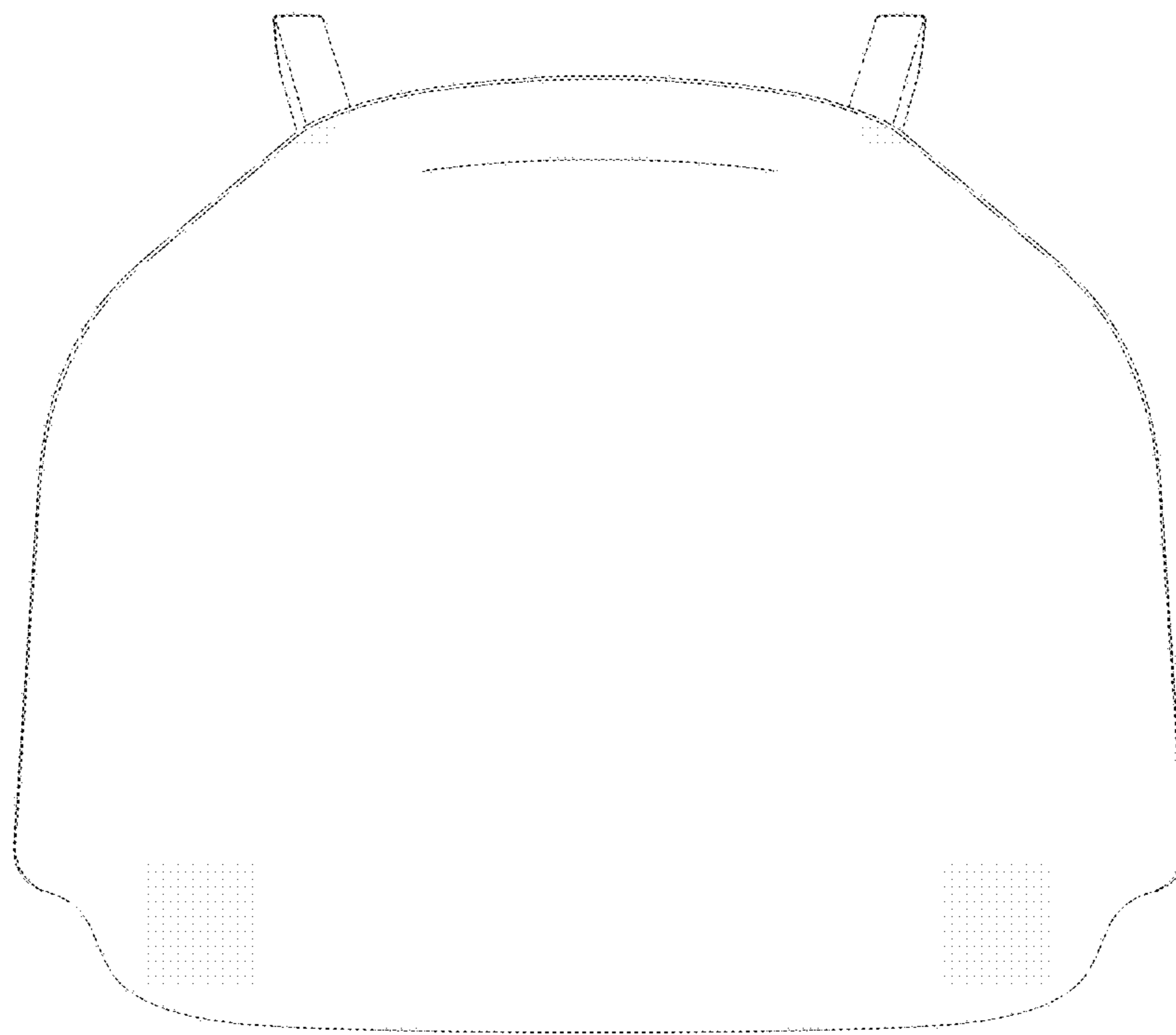
***FIGURE 3***



**FIGURE 4**

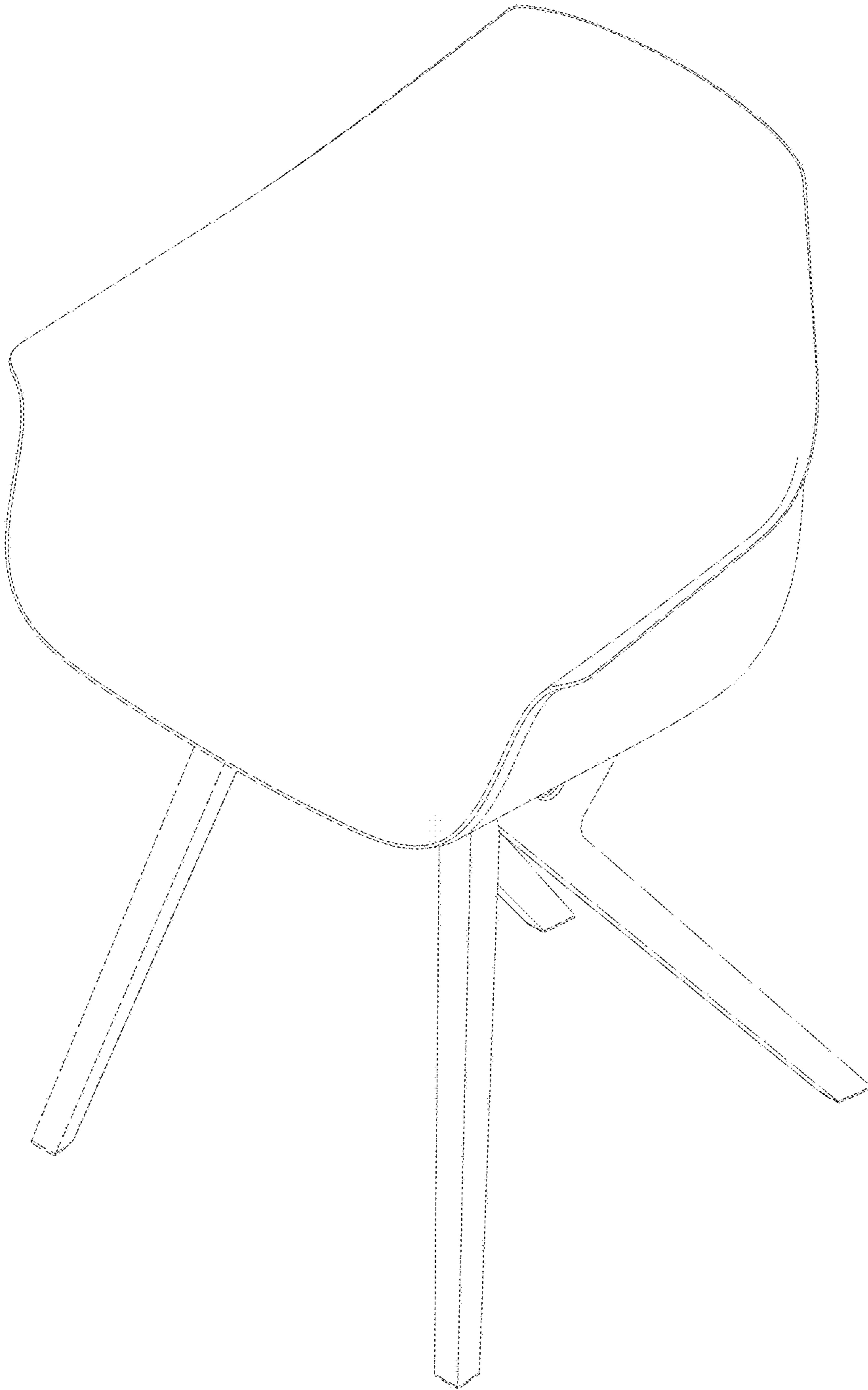


**FIGURE 5**

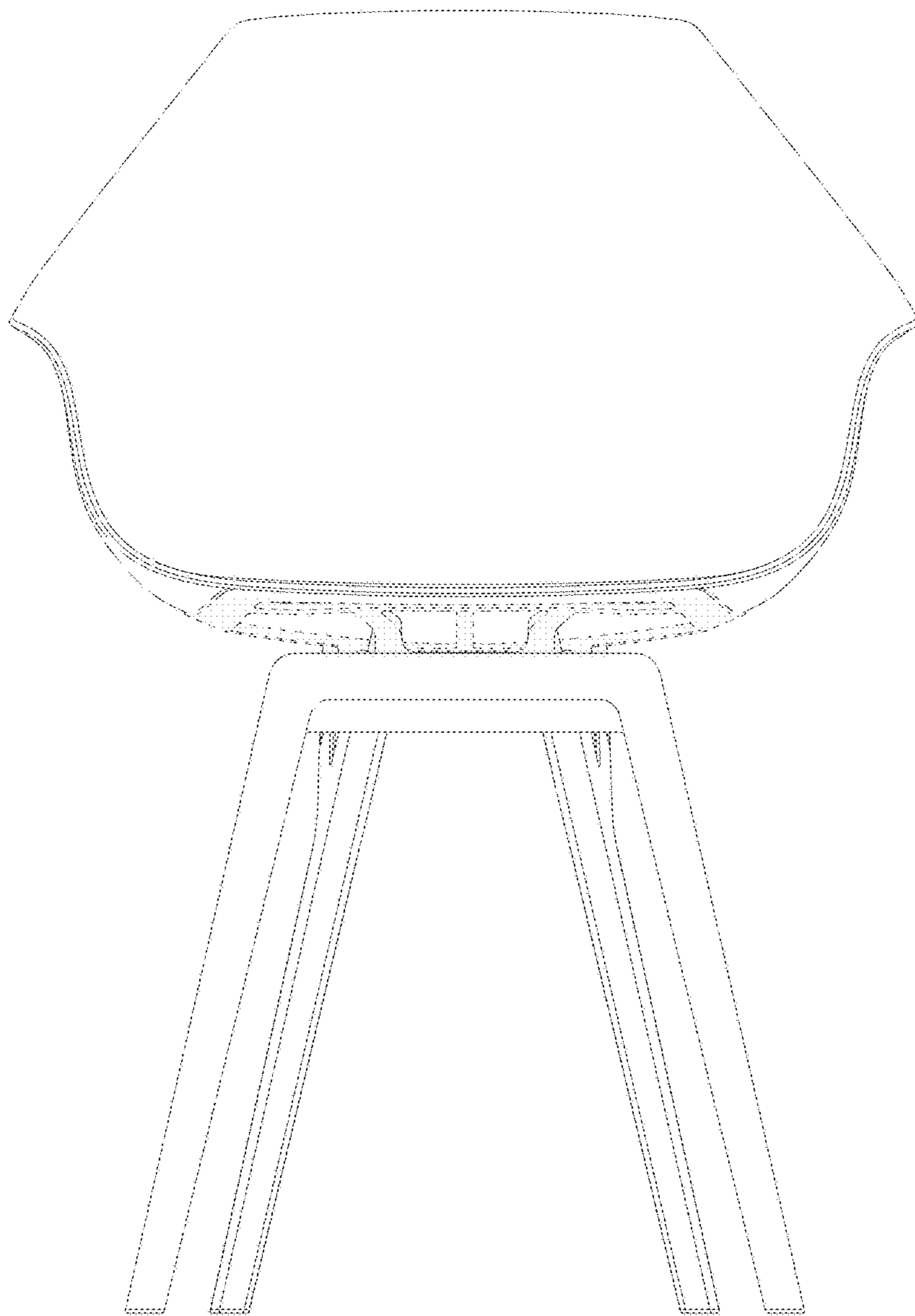


**FIGURE 6**

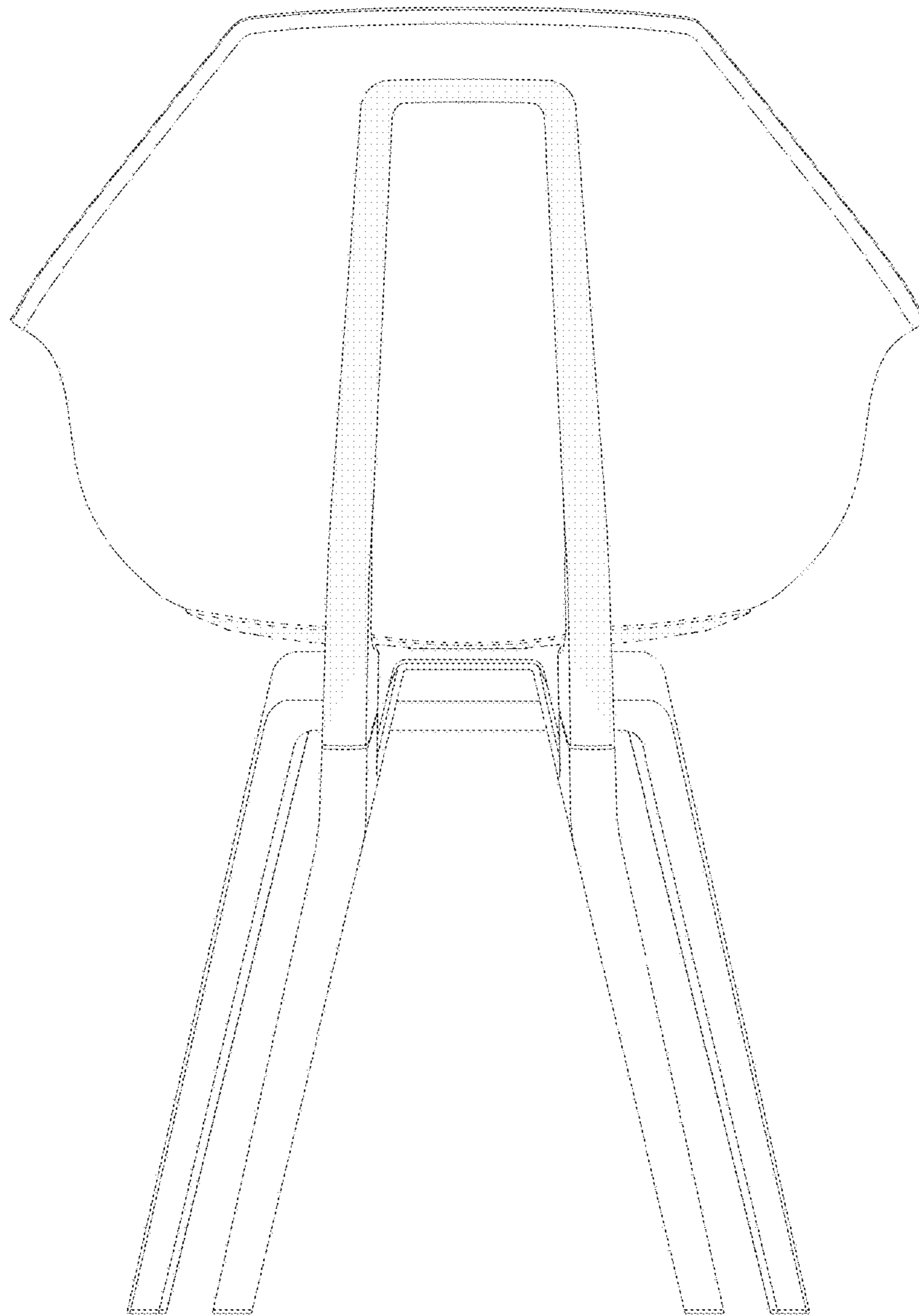




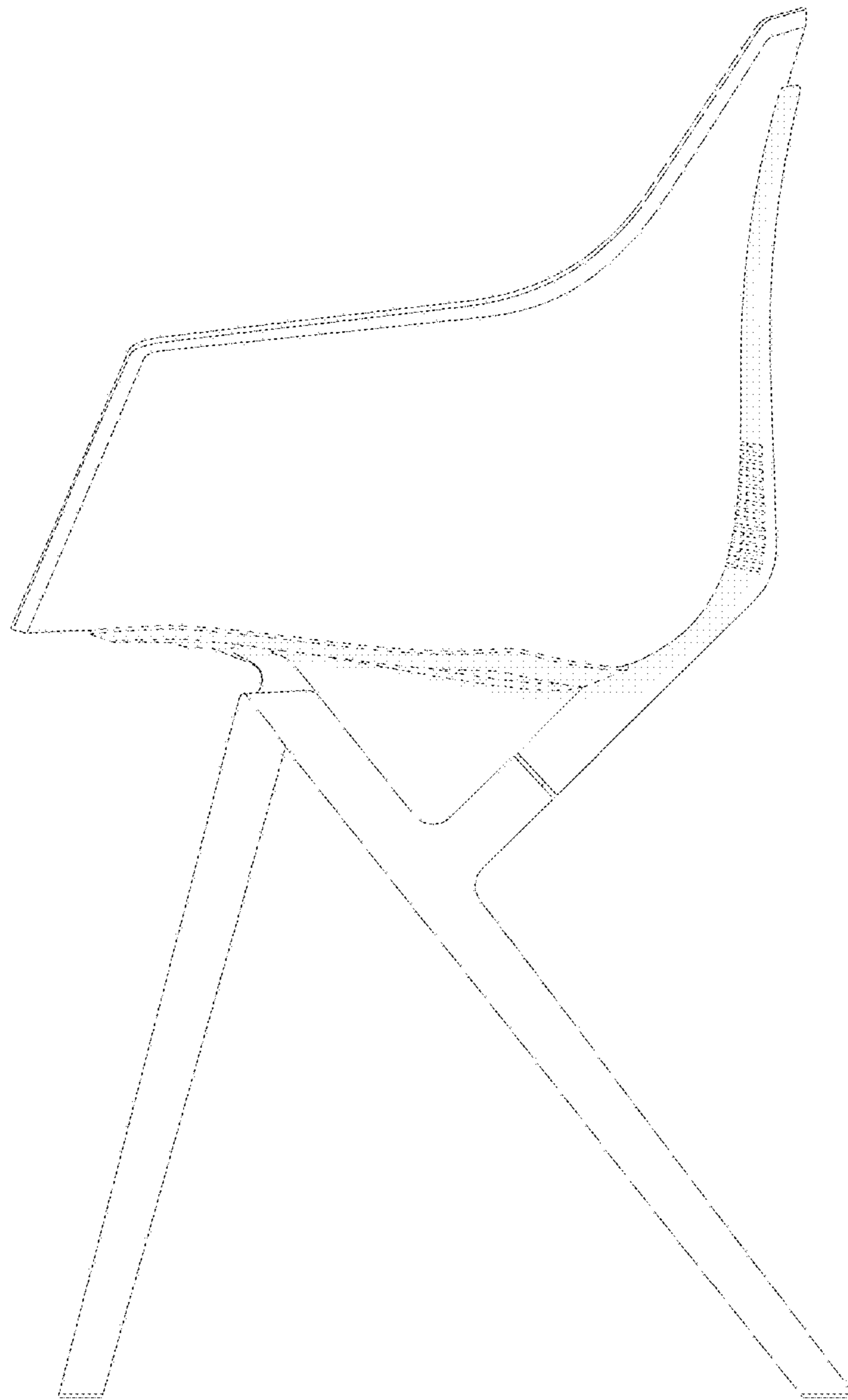
**FIGURE 7**



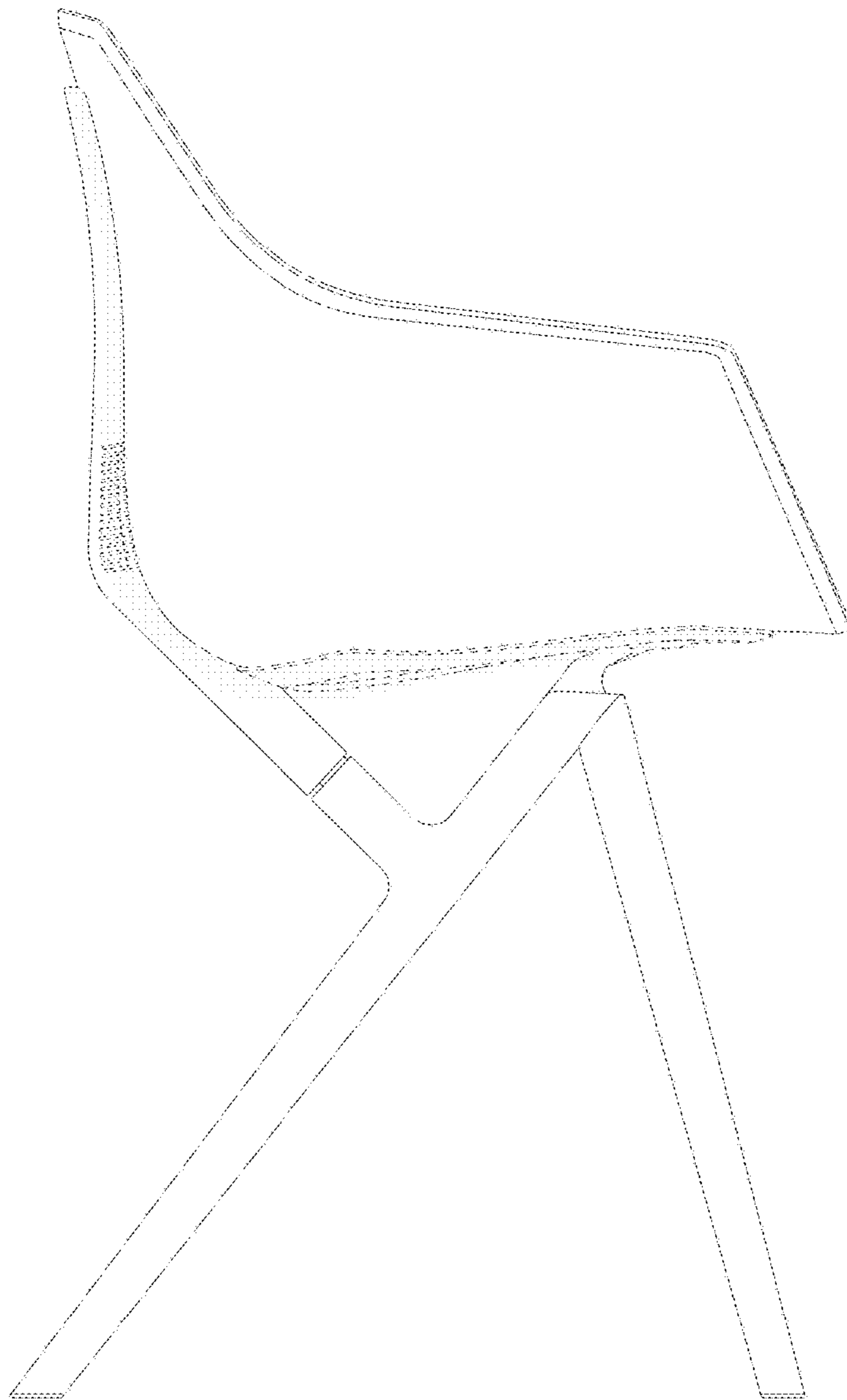
**FIGURE 8**



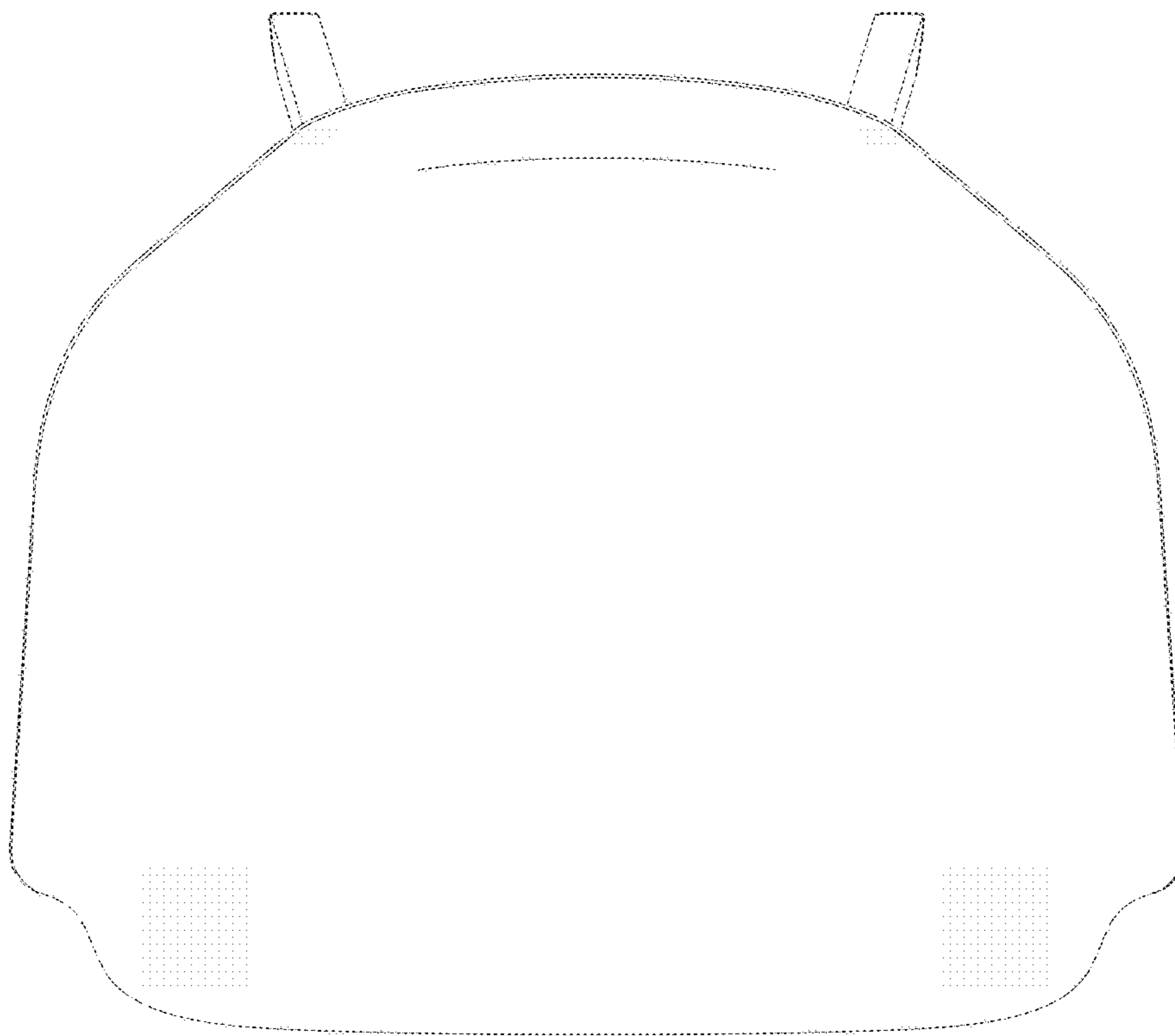
**FIGURE 9**



**FIGURE 10**



**FIGURE 11**



**FIGURE 12**