



US00D869186S

(12) **United States Design Patent**  
**Krouwel**

(10) **Patent No.:** **US D869,186 S**

(45) **Date of Patent:** **\*\* Dec. 10, 2019**

(54) **BENCH**

(71) Applicant: **STREETLIFE BV**, Leiden (NL)

(72) Inventor: **P.J.W. Krouwel**, Leiden (NL)

(\*\*) Term: **15 Years**

(21) Appl. No.: **35/505,819**

(22) Filed: **Sep. 12, 2018**

(80) **Hague Agreement Data**

Int. Filing Date: **Sep. 12, 2018**

Int. Reg. No.: **DM/102896**

Int. Reg. Date: **Sep. 12, 2018**

Int. Reg. Pub. Date: **Oct. 5, 2018**

(51) **LOC (12) Cl.** ..... **06-01**

(52) **U.S. Cl.**  
USPC ..... **D6/370; D6/371; D6/381**

(58) **Field of Classification Search**  
USPC ..... D6/334, 335, 349, 370-373, 381  
CPC .... A47C 1/00; A47C 3/00; A47C 4/00; A47C  
7/00; A47C 7/02; A47C 7/16; A47C 7/36;  
A47C 7/40; A47C 11/00; A47C 11/005  
See application file for complete search history.

(56) **References Cited**

**U.S. PATENT DOCUMENTS**

D263,353 S \* 3/1982 Beals ..... D6/370  
D294,782 S \* 3/1988 Balderi ..... D6/370

D360,538 S \* 7/1995 Skalka ..... D6/370  
D457,742 S \* 5/2002 Arnold ..... D6/370  
D486,664 S \* 2/2004 Pappas ..... D6/381  
D530,534 S \* 10/2006 Skalka ..... D6/366  
D536,184 S \* 2/2007 Skalka ..... D6/349  
D569,122 S \* 5/2008 Flaherty ..... D6/381  
D679,110 S \* 4/2013 Asner ..... D6/370

**OTHER PUBLICATIONS**

Trademark Serial No. 79143035, Jul. 10, 2013 ((Applicant) Streetlife BV Trademark Electronic Service System (TESS)).\*

\* cited by examiner

*Primary Examiner* — Mary Ann Calabrese

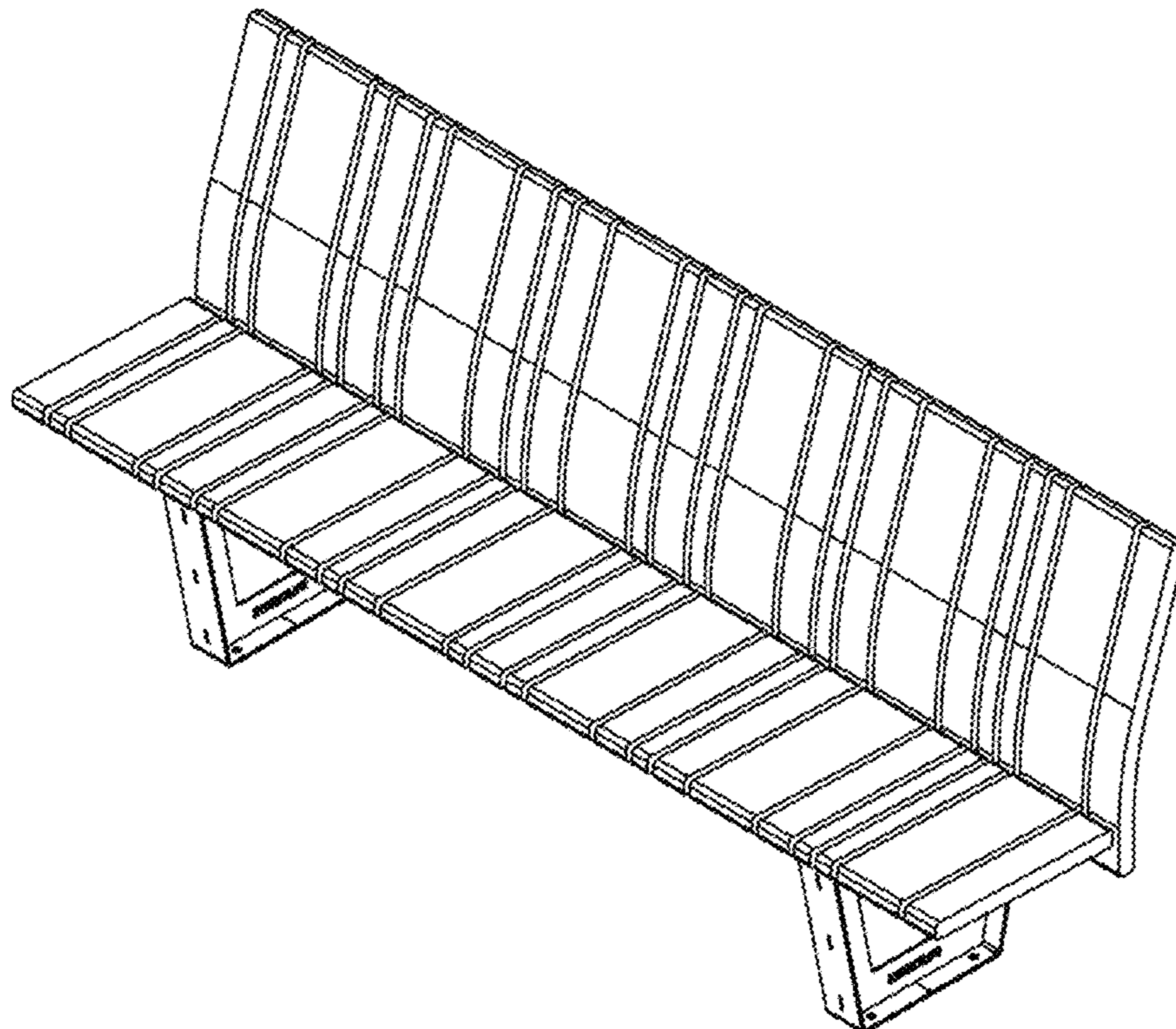
(57) **CLAIM**

The ornamental design for the bench, as shown and described.

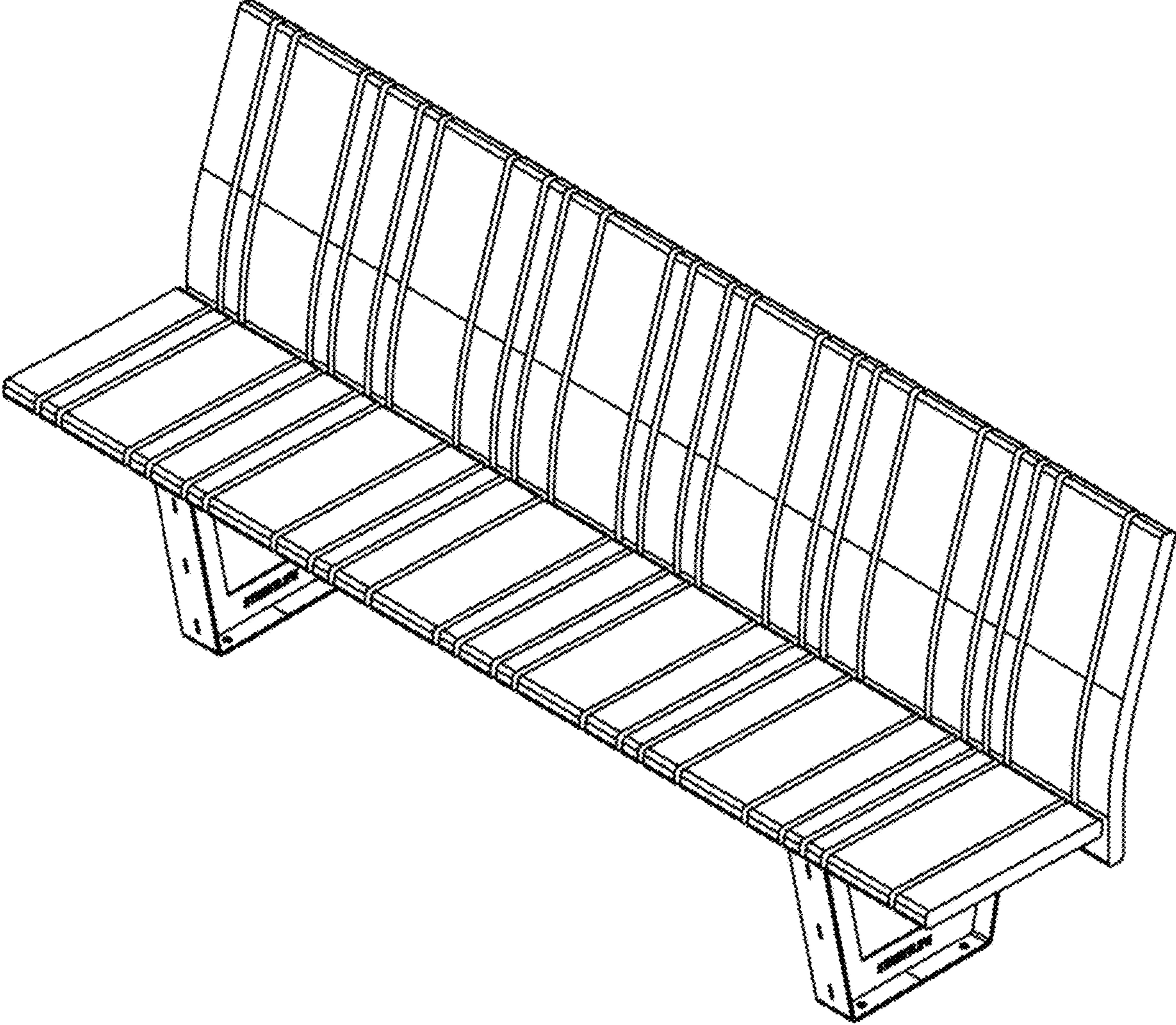
**DESCRIPTION**

- 1. Bench
- 1.1 is a perspective view.
- 1.2 is a left side view.
- 1.3 is a right side view.
- 1.4 is a front view.
- 1.5 is a top view.

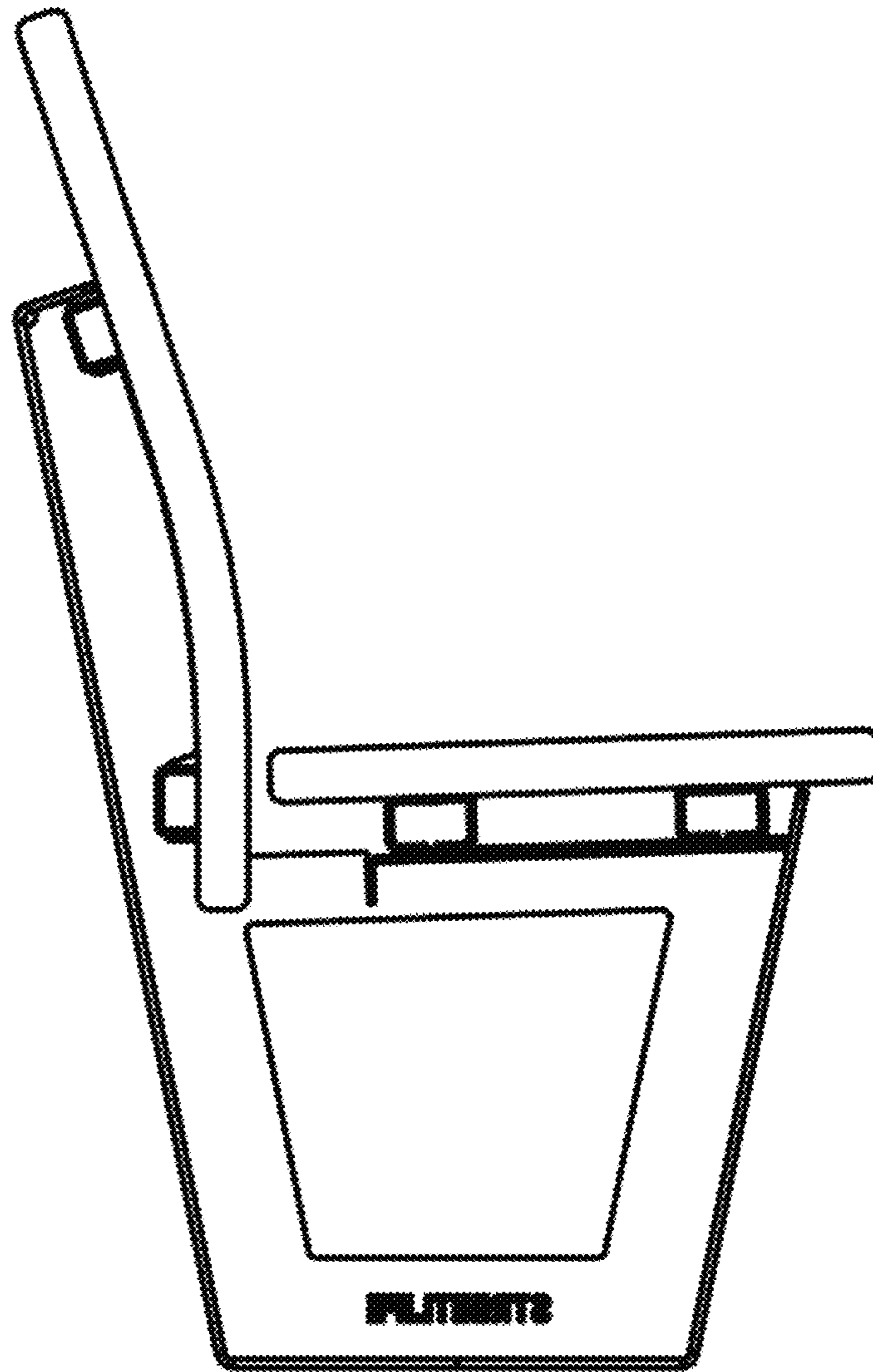
**1 Claim, 5 Drawing Sheets**



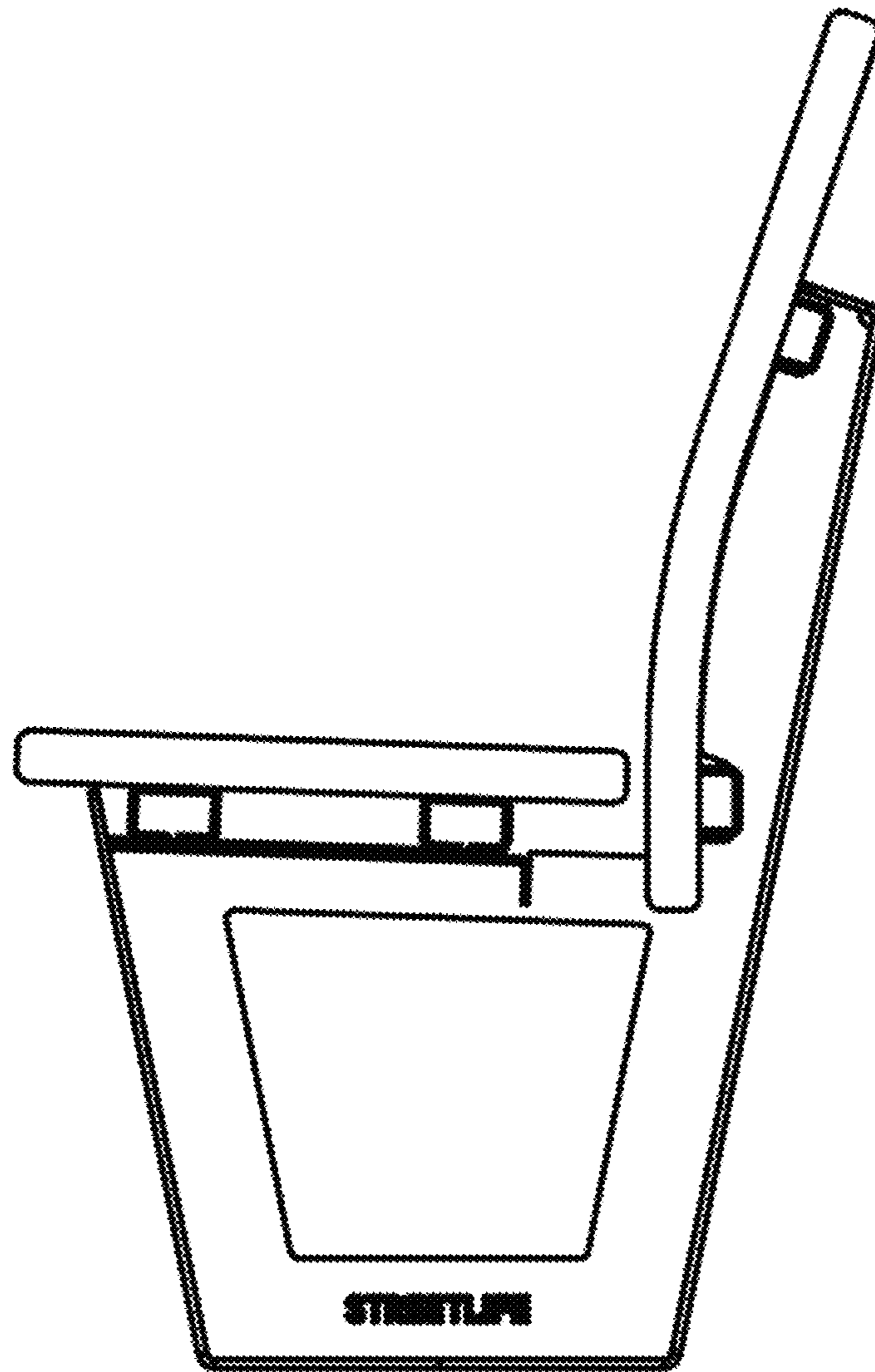
1.1



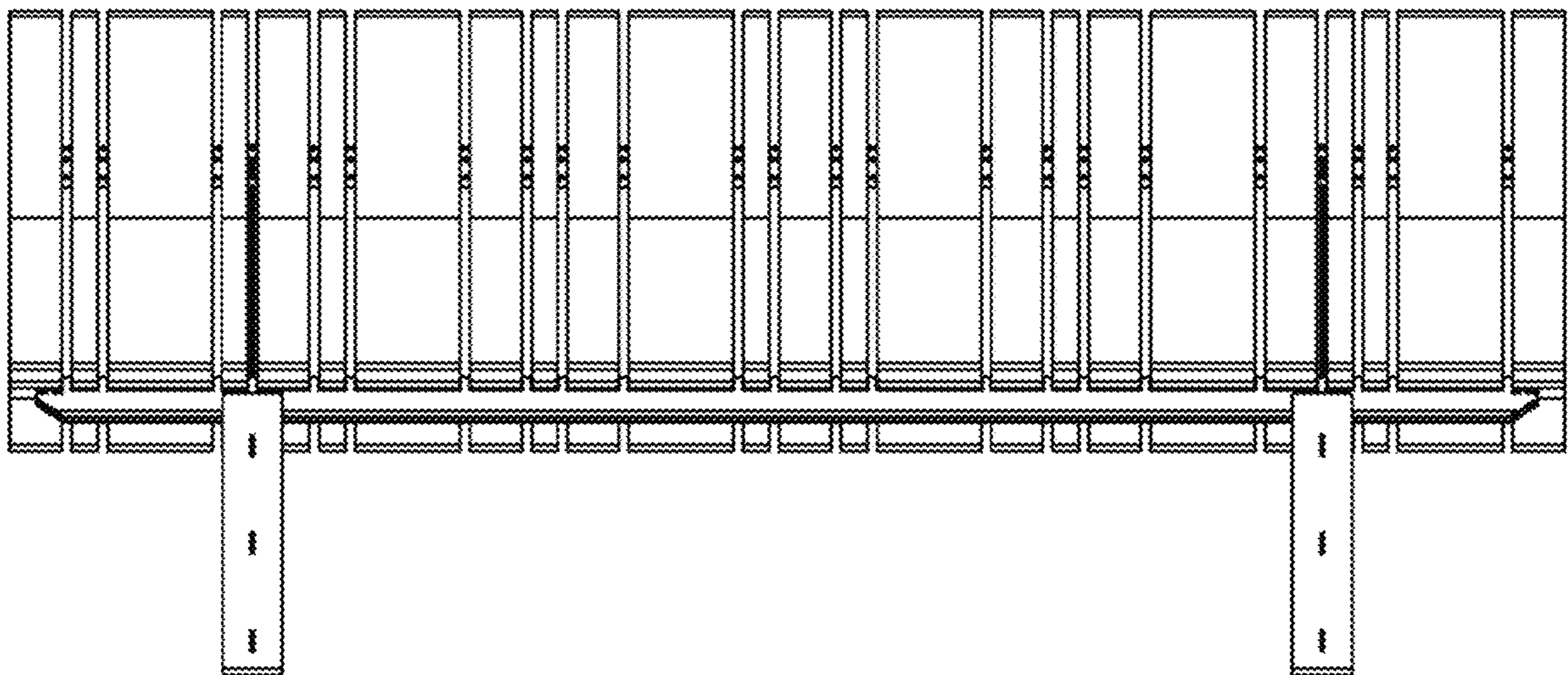
1.2



1.3



1.4



1.5

