



US00D869180S

(12) **United States Design Patent** (10) **Patent No.:** **US D869,180 S**
Liao (45) **Date of Patent:** **** Dec. 10, 2019**

(54) **CHAIR**

D750,403 S * 3/2016 Polidoros D6/691.6
D796,220 S * 9/2017 Asner D6/370
D818,279 S * 5/2018 Chiaramonte D6/352

(71) Applicant: **Chao-Lin Liao**, Taichung (TW)

(72) Inventor: **Chao-Lin Liao**, Taichung (TW)

(**) Term: **15 Years**

(21) Appl. No.: **29/667,423**

(22) Filed: **Oct. 22, 2018**

(30) **Foreign Application Priority Data**

Jul. 6, 2018 (TW) 107303874

(51) **LOC (12) Cl.** **06-01**

(52) **U.S. Cl.**

USPC **D6/349**; D6/360

(58) **Field of Classification Search**

USPC D6/348-353, 355, 358, 364-365, 360,
D6/369, 374, 381, 597, 691-691.9,
D6/692-692.6

CPC ... A47C 16/02-04; A47C 11/00; A47C 9/007;
A47C 13/00; A47K 17/02-028; A47B
7/00-02

See application file for complete search history.

(56) **References Cited**

U.S. PATENT DOCUMENTS

D345,472 S * 3/1994 Sheftel D6/349
D400,721 S * 11/1998 Baeriswyl D6/360
D436,763 S * 1/2001 Balolia D6/349
D472,396 S * 4/2003 de Blois D6/349
D511,911 S * 11/2005 Light D6/691.6
D693,161 S * 11/2013 Polidoros D6/708
D703,455 S * 4/2014 Mulholland D6/349

OTHER PUBLICATIONS

Office Star Products Durham 2 Pack Counter Stools. [online] Retrieved Aug. 14, 2019 from URL: <https://www.kohls.com/product/prd-3656798/office-star-products-durham-2-pack-counter-stools.jsp?skuid=19633840>.*

Indoor Outdoor Bar August Grove Patio Stool Reviews Bars Nyc Cynthia Rowley Folding Cart Boston. [online] Retrieved Aug. 14, 2019 from URL: <https://masterhunian.club/child/>.*

Fiber Counter Stool. [online] Retrieved Aug. 14, 2019 from URL: <https://lekkerhome.com/products/fiber-counter-stool>.*

* cited by examiner

Primary Examiner — Vy N Koenig

(74) *Attorney, Agent, or Firm* — Egbert Law Offices, PLLC

(57) **CLAIM**

The ornamental design for a chair, as shown and described.

DESCRIPTION

FIG. 1 is a perspective view of a chair showing my new design;

FIG. 2 is a front elevational view thereof;

FIG. 3 is a rear elevational view thereof;

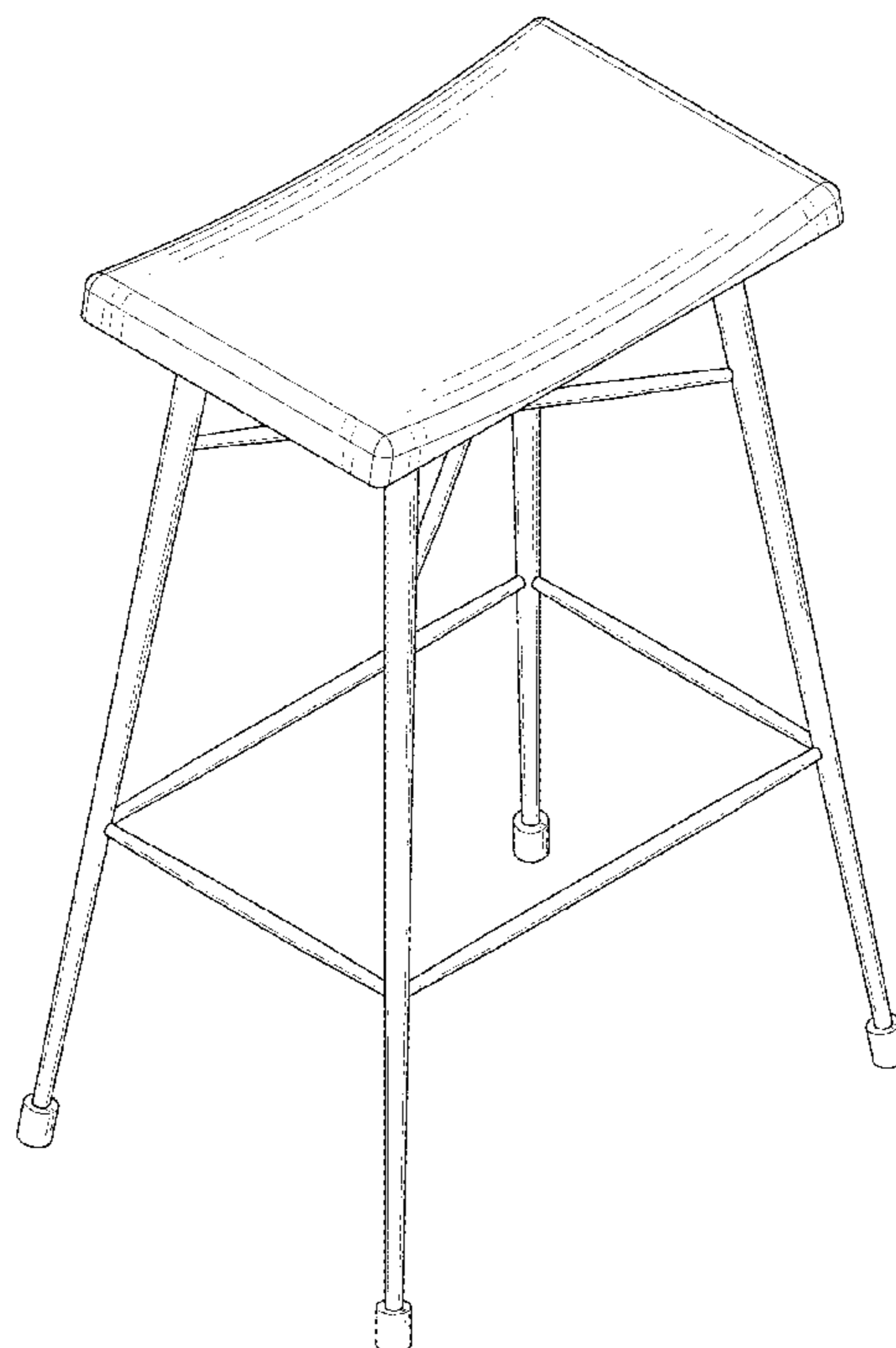
FIG. 4 is a left side view thereof;

FIG. 5 is a right side view thereof;

FIG. 6 is a top plan view thereof; and,

FIG. 7 is a bottom plan view thereof.

1 Claim, 6 Drawing Sheets



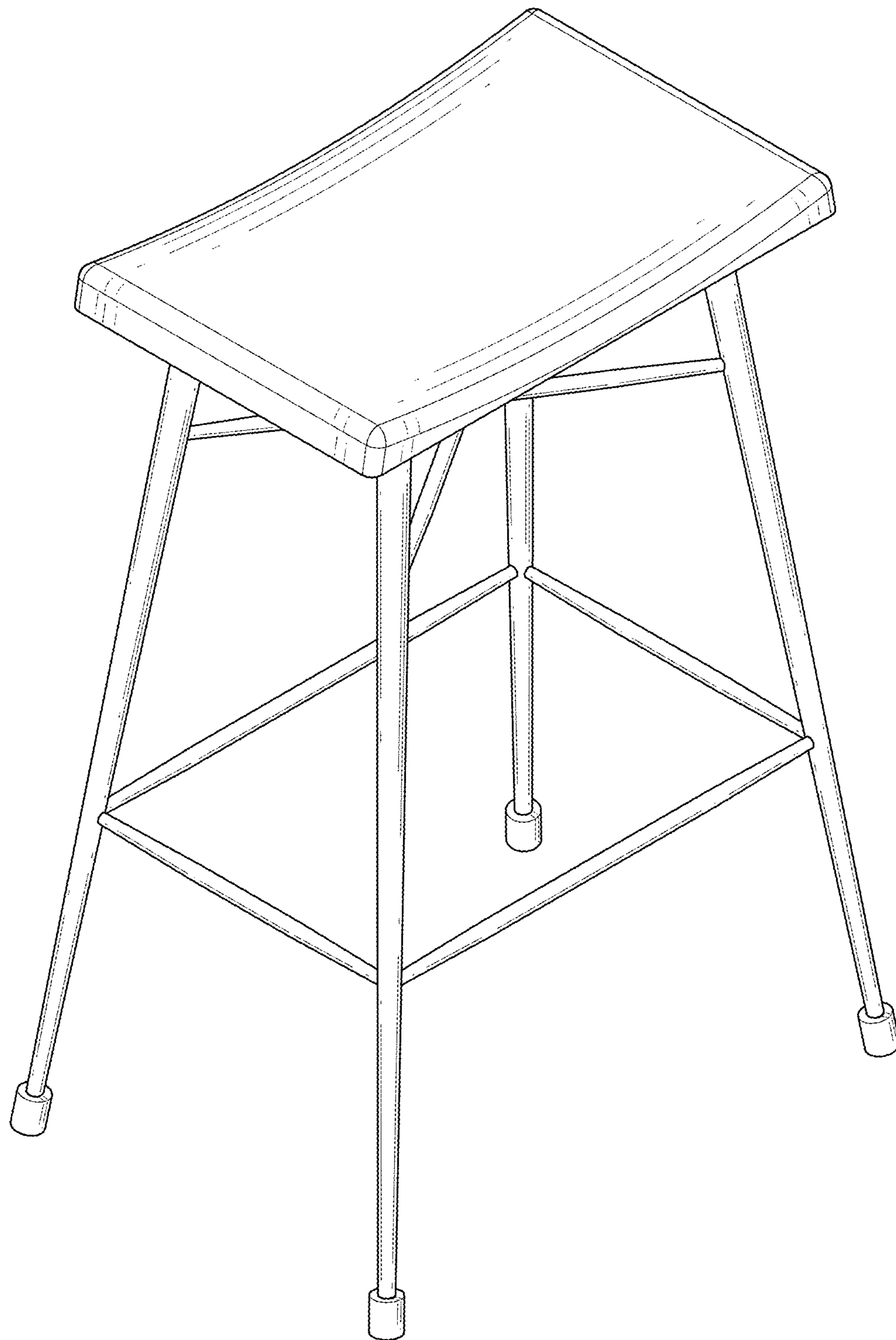


FIG. 1

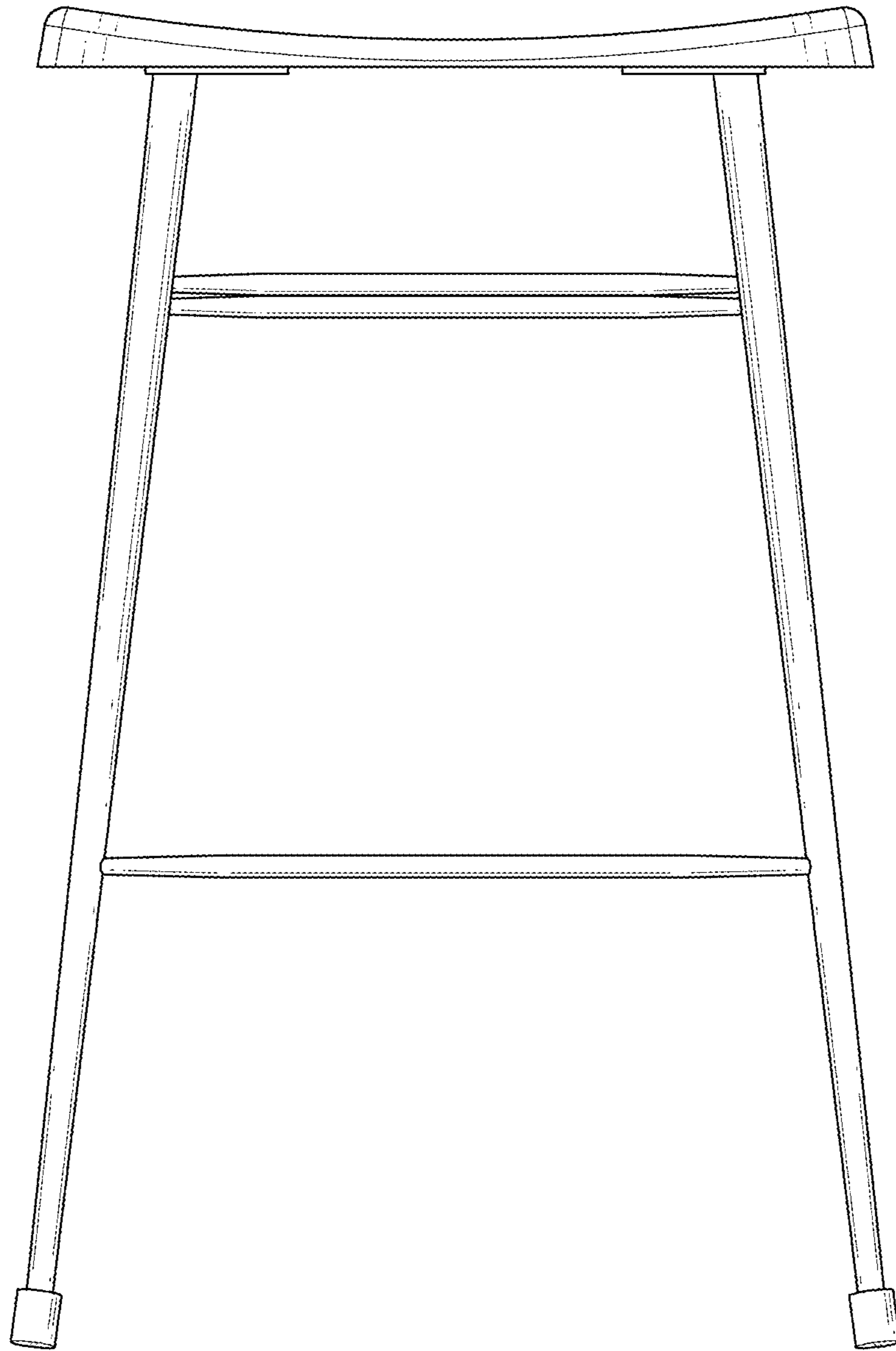


FIG. 2

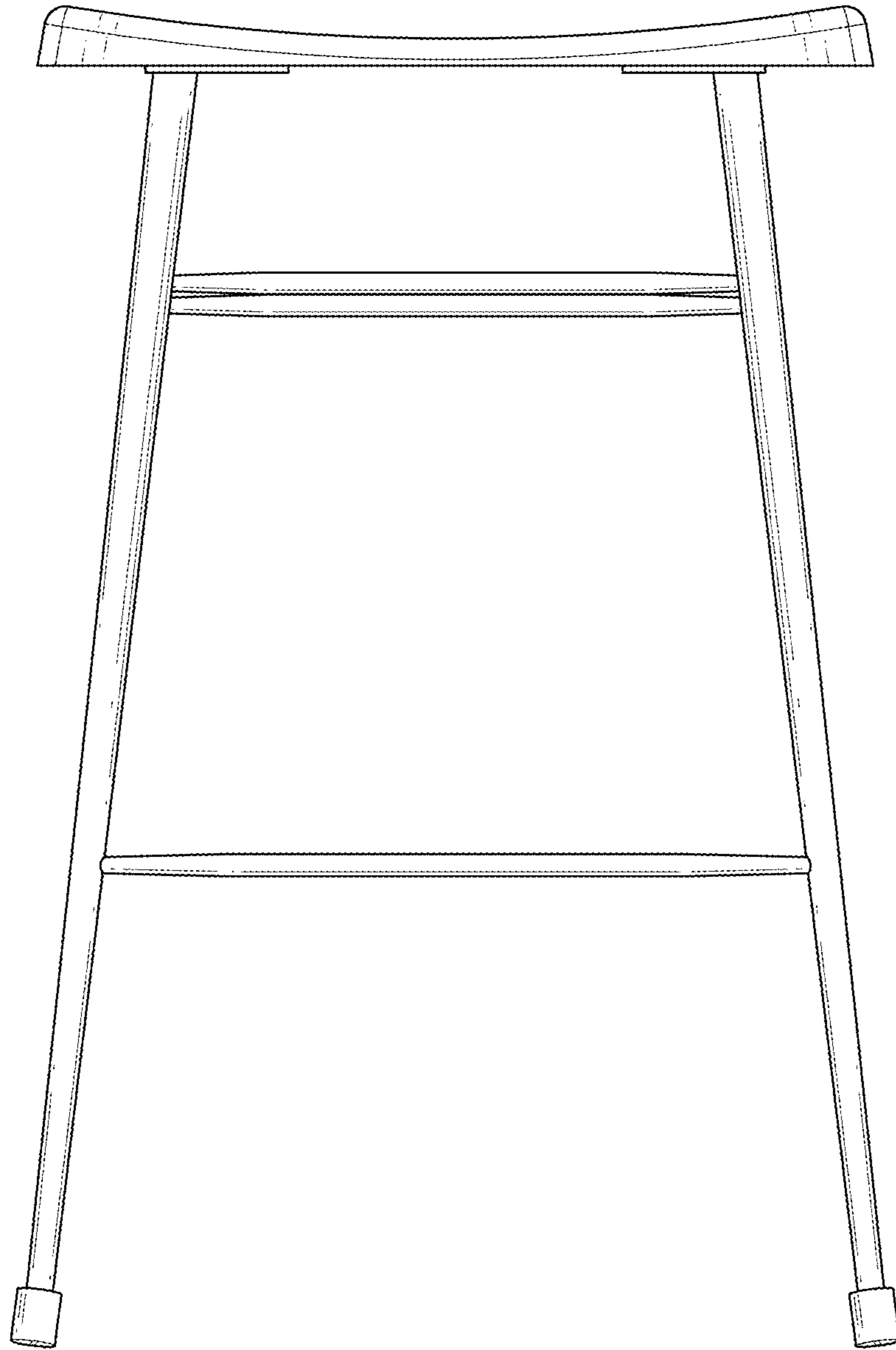


FIG. 3

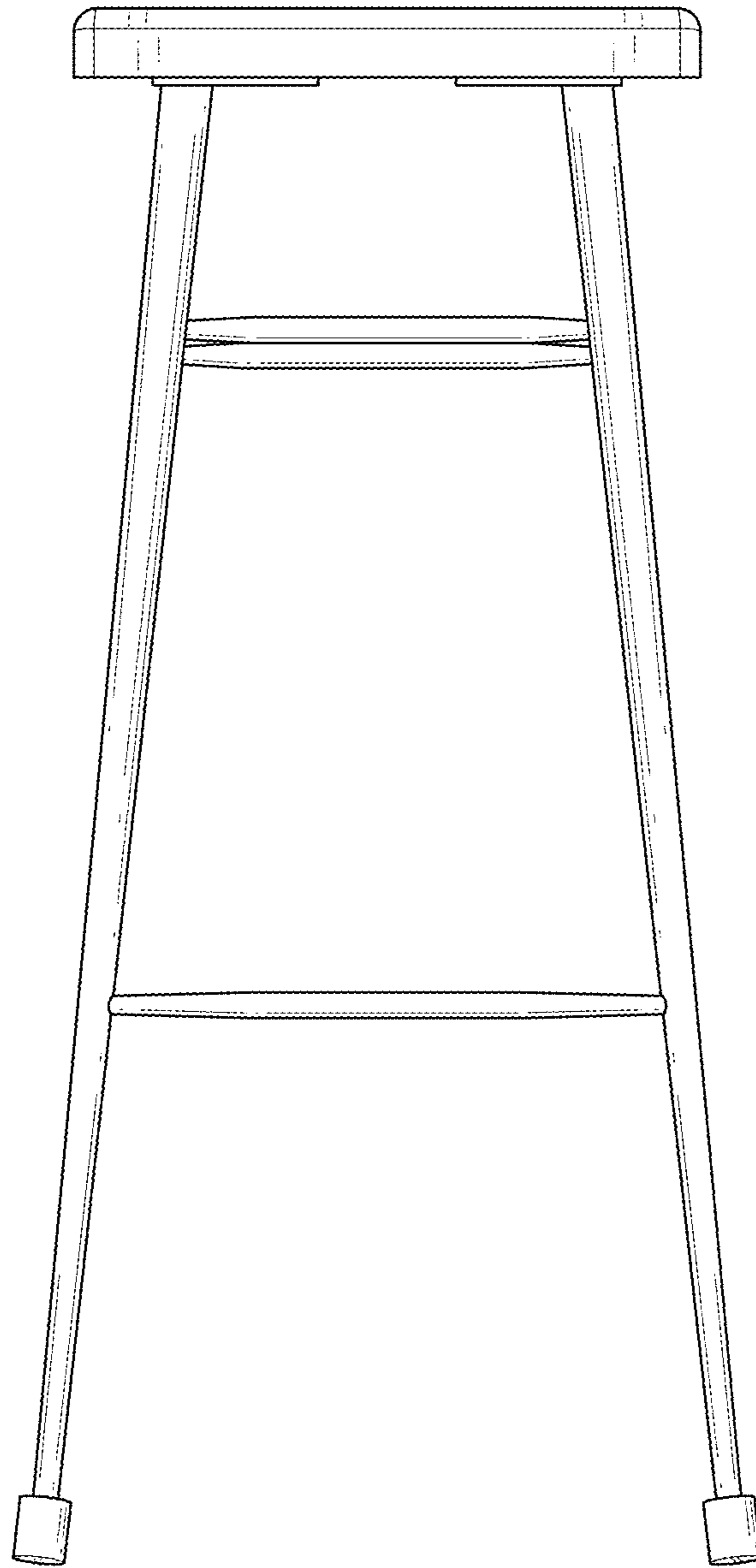


FIG. 4

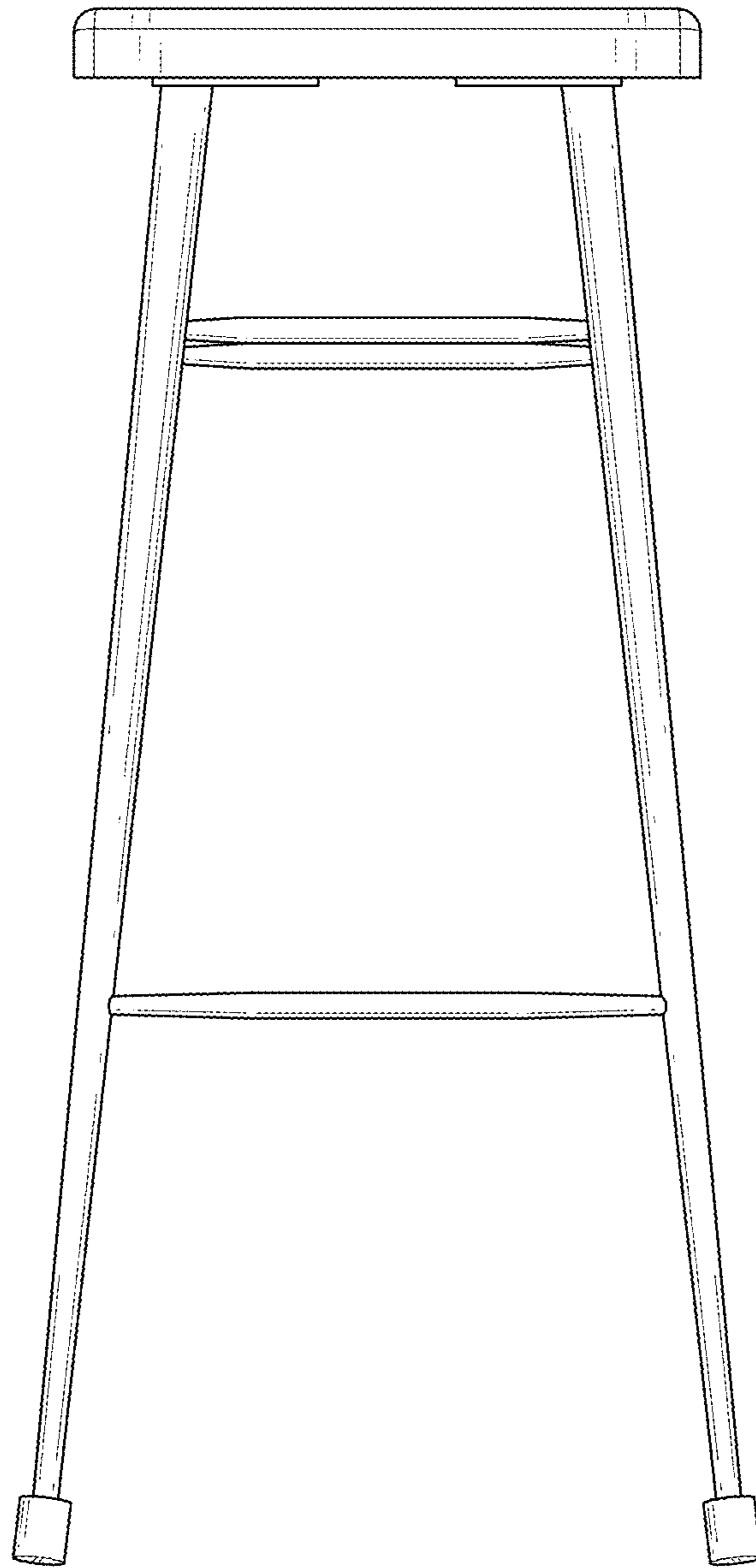


FIG. 5

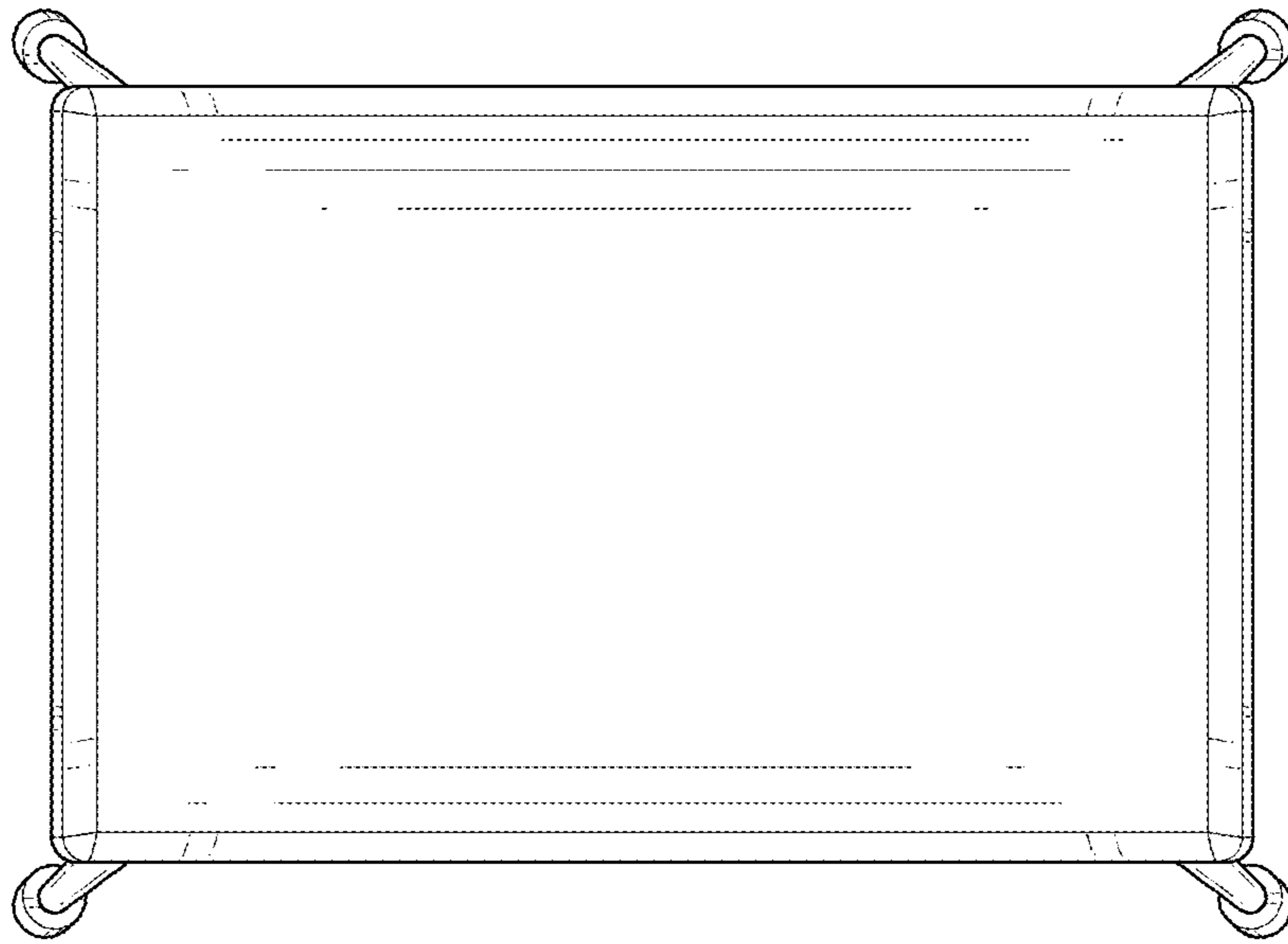


FIG. 6

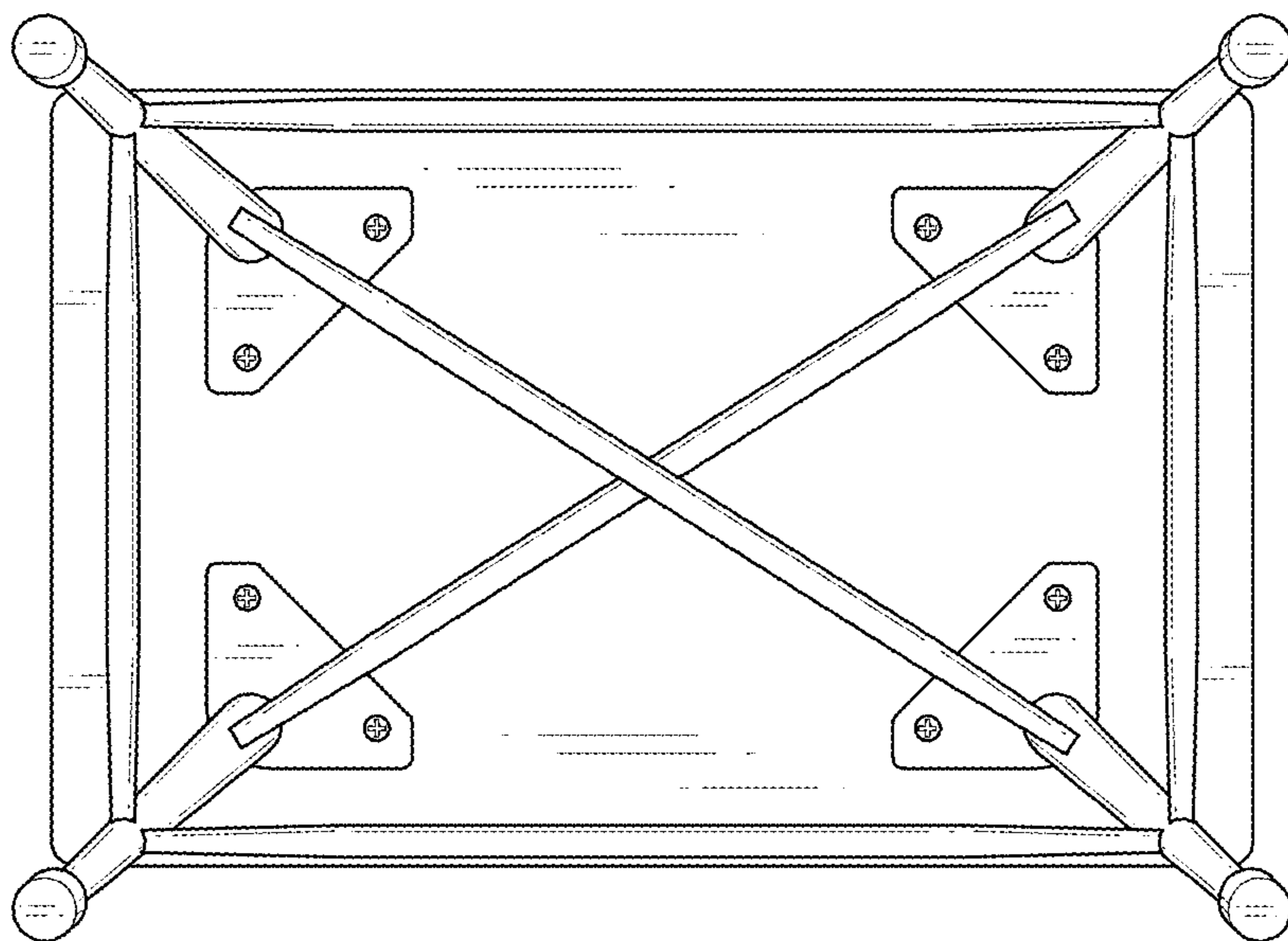


FIG. 7