



US00D869178S

(12) **United States Design Patent**
Vaughan

(10) **Patent No.:** **US D869,178 S**

(45) **Date of Patent:** **** Dec. 10, 2019**

(54) **COMMERCIAL/OFFICE SEATING**

(71) Applicant: **FLETCHER SYSTEMS LIMITED,**
Whanganui (NZ)

(72) Inventor: **Fletcher Heywood Vaughan,** Auckland
(NZ)

(73) Assignee: **FLETCHER SYSTEMS LIMITED,**
Whanganui (NZ)

(**) Term: **15 Years**

(21) Appl. No.: **29/633,375**

(22) Filed: **Jan. 12, 2018**

(30) **Foreign Application Priority Data**

Jul. 13, 2017 (NZ) 423288

(51) **LOC (12) Cl.** **06-01**

(52) **U.S. Cl.**
USPC **D6/335; D6/334; D6/381**

(58) **Field of Classification Search**
USPC D6/334, 335, 374, 375, 381
CPC A47C 17/00; A47C 17/02; A47C 17/04;
A47C 17/045; A47C 17/12; A47C
17/175; A47C 15/002

See application file for complete search history.

(56) **References Cited**

U.S. PATENT DOCUMENTS

| | | | | |
|--------------|---------|------------------|-------|--------|
| D213,773 S * | 4/1969 | Beardmore | | D6/335 |
| D219,443 S * | 12/1970 | Hubel | | D6/335 |
| D219,444 S * | 12/1970 | Chichester, Jr. | | D6/375 |
| D234,731 S * | 4/1975 | McDonald | | D6/371 |
| D239,580 S * | 4/1976 | Robertson et al. | | D6/381 |
| D241,693 S * | 10/1976 | Friedman | | D6/381 |
| D247,595 S * | 3/1978 | Corson | | D6/381 |
| D249,849 S * | 10/1978 | Schoeller | | D6/334 |
| D251,706 S * | 5/1979 | Glaser | | D6/334 |

| | | | | |
|---------------|---------|-----------|-------|-------------------------|
| 4,188,066 A * | 2/1980 | Terenzoni | | A47C 4/02 297/440.23 |
| D256,193 S * | 8/1980 | Collins | | D6/334 |
| D401,430 S * | 11/1998 | De Blaay | | D6/381 |
| D429,082 S * | 8/2000 | Desombre | | D6/367 |
| D448,946 S * | 10/2001 | Goetz | | D6/381 |
| D465,341 S * | 11/2002 | Hutton | | D6/334 |
| D473,723 S * | 4/2003 | Pesso | | D6/334 |
| D485,086 S * | 1/2004 | Gomez | | D6/381 |
| D540,062 S * | 4/2007 | Natuzzi | | D6/381 |
| D590,165 S * | 4/2009 | Natuzzi | | D6/381 |

(Continued)

Primary Examiner — Deanna L Pratt

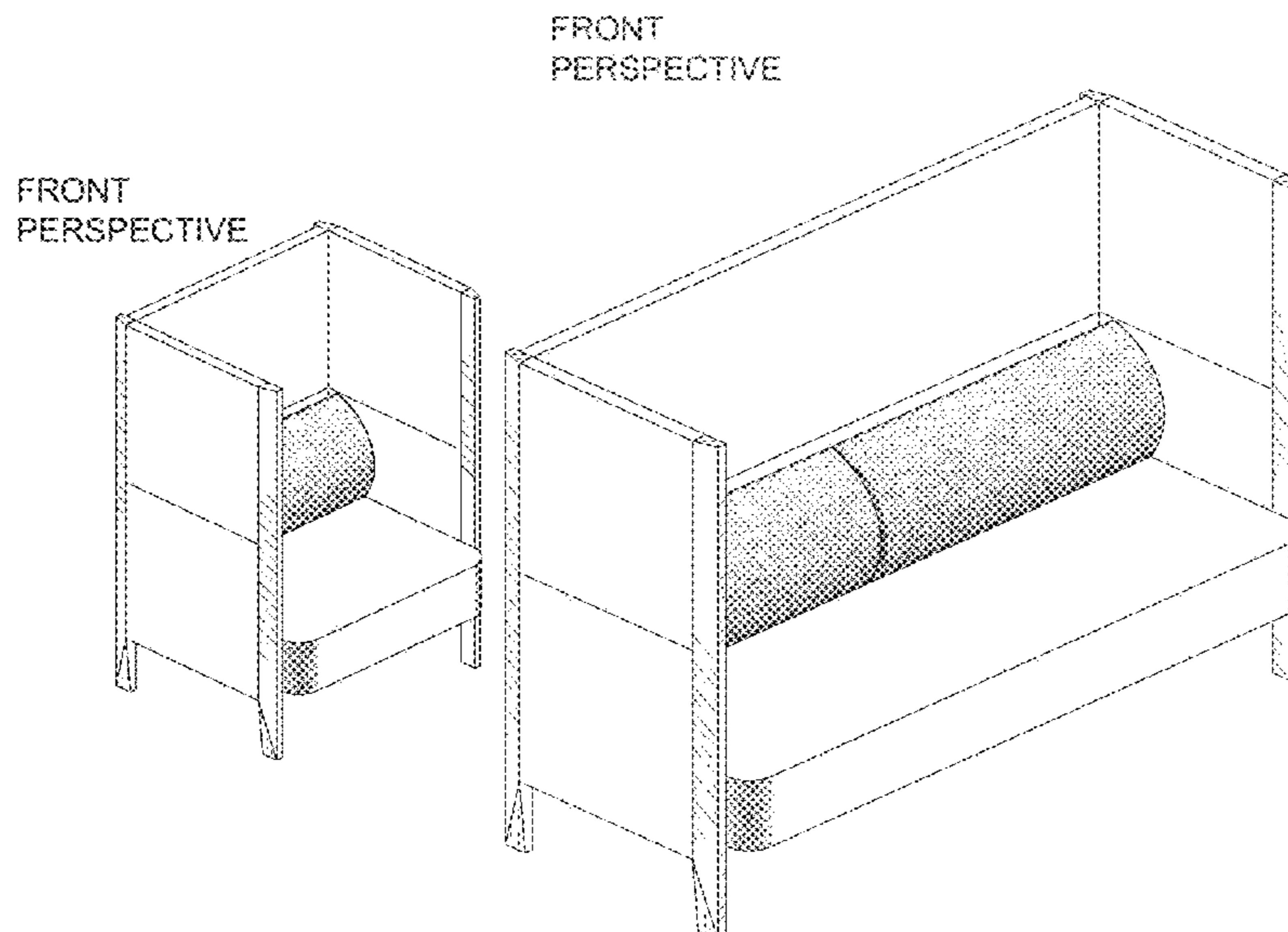
(57) **CLAIM**

I claim the ornamental design for a commercial/office seating, as shown.

DESCRIPTION

FIG. 1 is a front elevation view of a commercial/office seating in accordance with my new design;
 FIG. 2 is a rear elevation view thereof;
 FIG. 3 is a top elevation view thereof;
 FIG. 4 is a bottom elevation view thereof;
 FIG. 5 is a side elevation view thereof;
 FIG. 6 is a side elevation view thereof, for the side opposite that of FIG. 5;
 FIG. 7 is a front perspective view thereof;
 FIG. 8 is a rear perspective view thereof;
 FIG. 9 is a front elevation view of another embodiment of a commercial/office seating in accordance with my new design;
 FIG. 10 is a rear elevation view thereof;
 FIG. 11 is a top elevation view thereof;
 FIG. 12 is a bottom elevation view thereof;
 FIG. 13 is a side elevation view thereof;
 FIG. 14 is a side elevation view thereof, for the side opposite that of FIG. 13;
 FIG. 15 is a front perspective view thereof; and,
 FIG. 16 is a rear perspective view thereof.

1 Claim, 9 Drawing Sheets



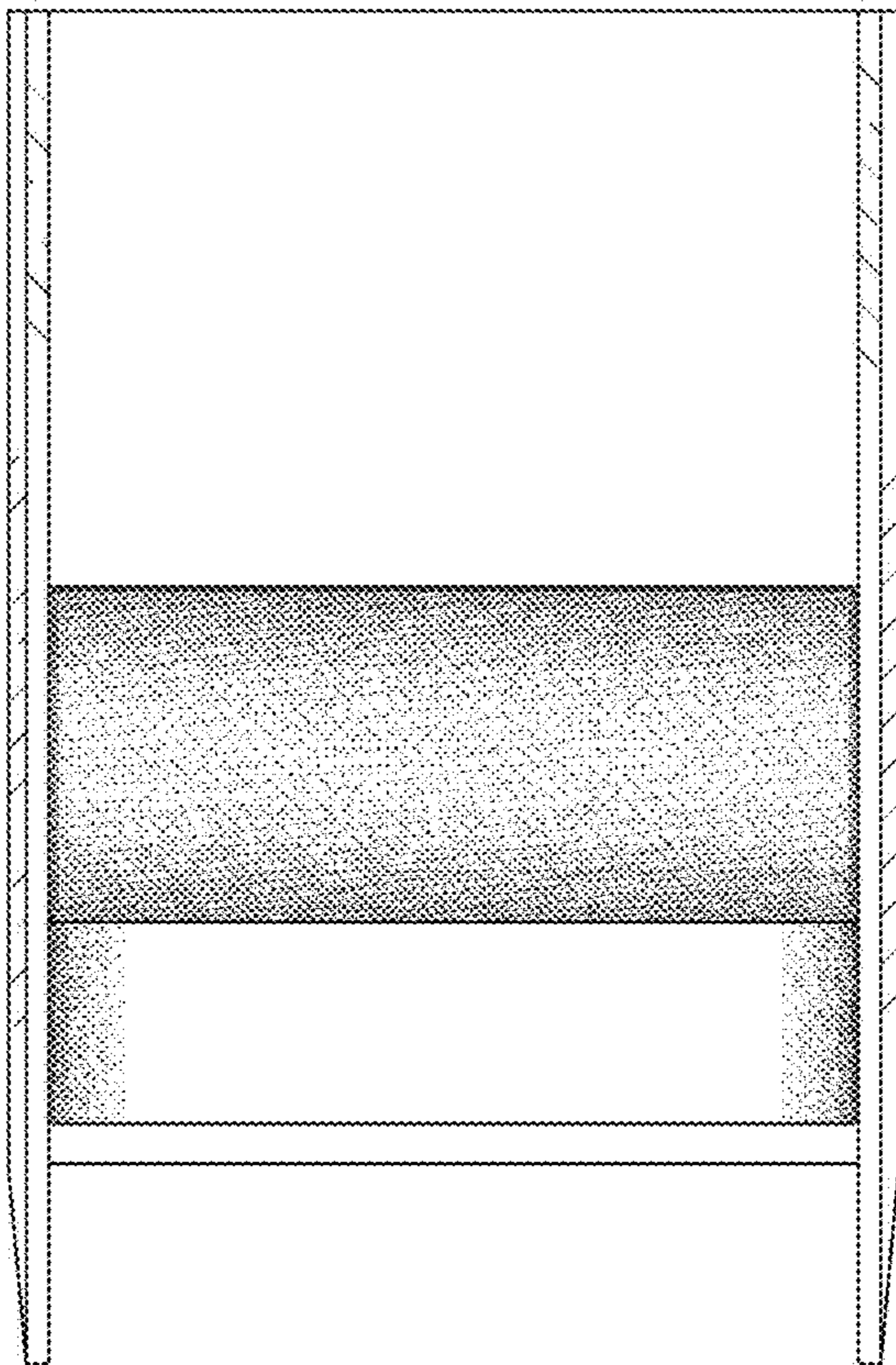
(56)

References Cited

U.S. PATENT DOCUMENTS

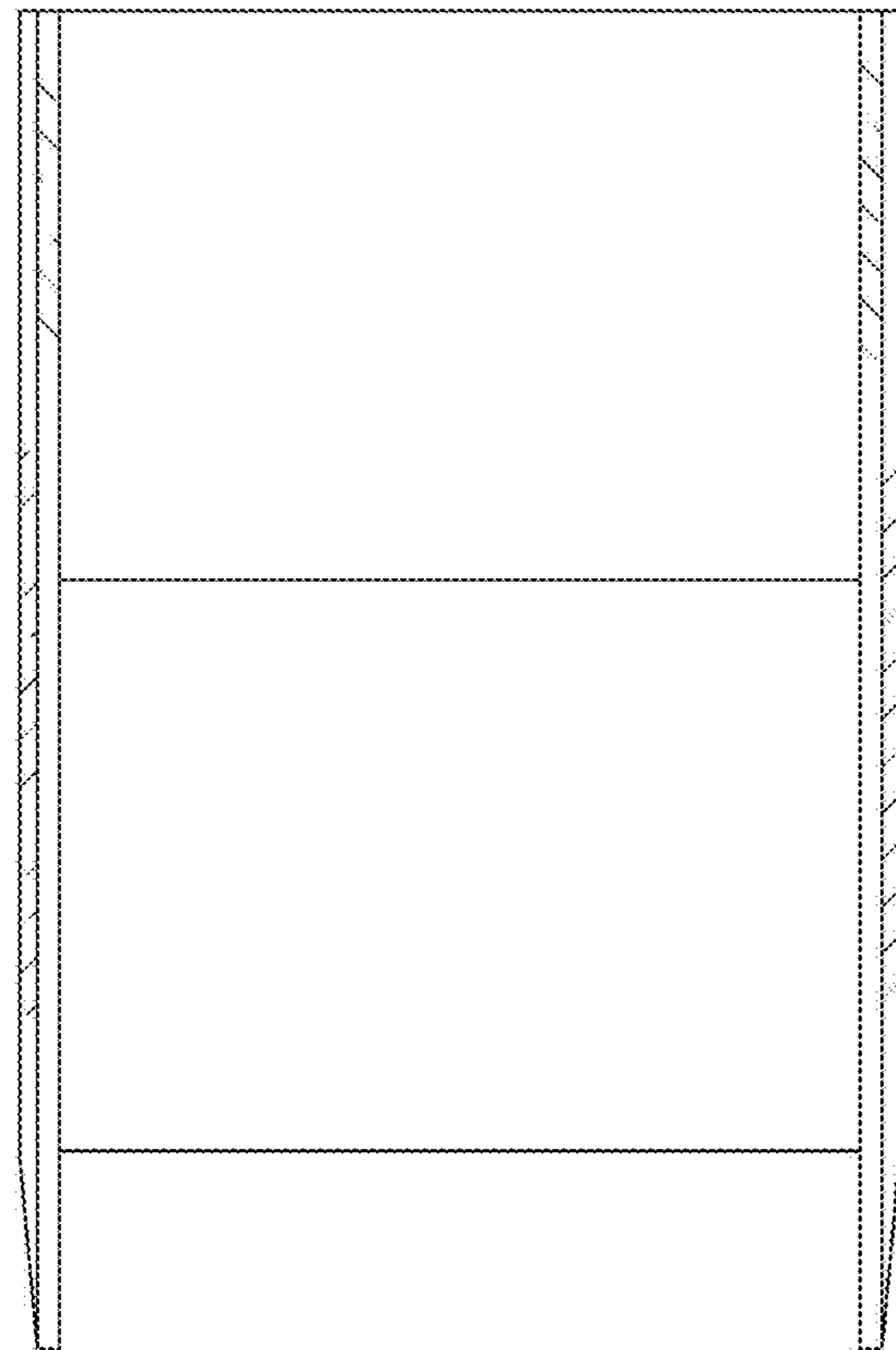
| | | | |
|--------------|---------|------------------|--------|
| D661,118 S * | 6/2012 | Massaud | D6/374 |
| D740,039 S * | 10/2015 | Bouroullec | D6/335 |
| D785,359 S * | 5/2017 | Massaud | D6/381 |
| D786,571 S * | 5/2017 | Webb | D6/337 |
| D787,208 S * | 5/2017 | Webb | D6/336 |
| D794,973 S * | 8/2017 | Webb | D6/381 |
| D795,604 S * | 8/2017 | Webb | D6/381 |
| D805,310 S * | 12/2017 | Grcic | D6/335 |
| D807,067 S * | 1/2018 | Vance | D6/334 |
| D807,655 S * | 1/2018 | Webb | D6/335 |
| D807,660 S * | 1/2018 | Hughes | D6/381 |
| D840,700 S * | 2/2019 | Gyllang | D6/335 |
| D848,752 S * | 5/2019 | Uchida | D6/334 |

* cited by examiner



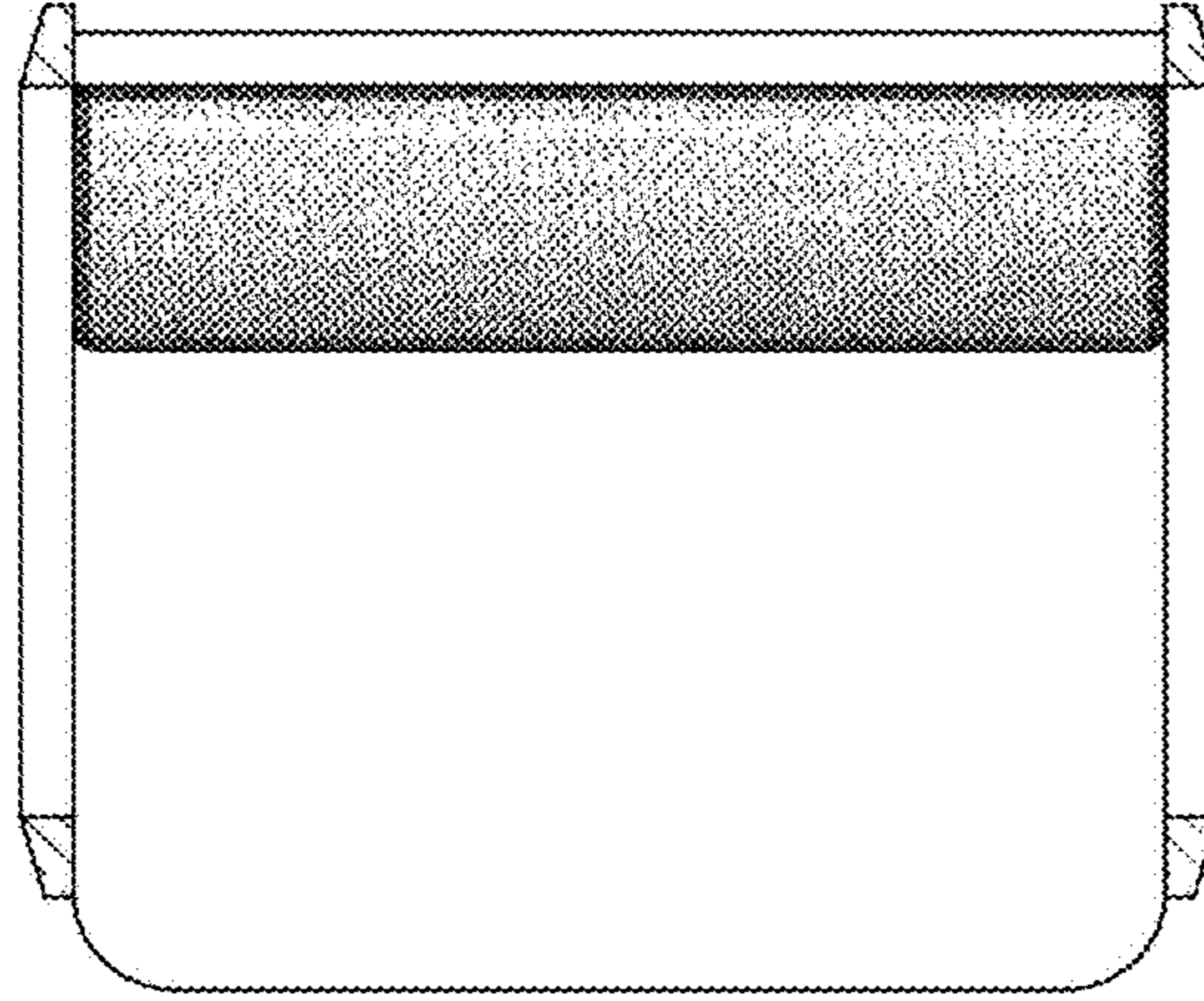
FRONT VIEW

FIGURE 1



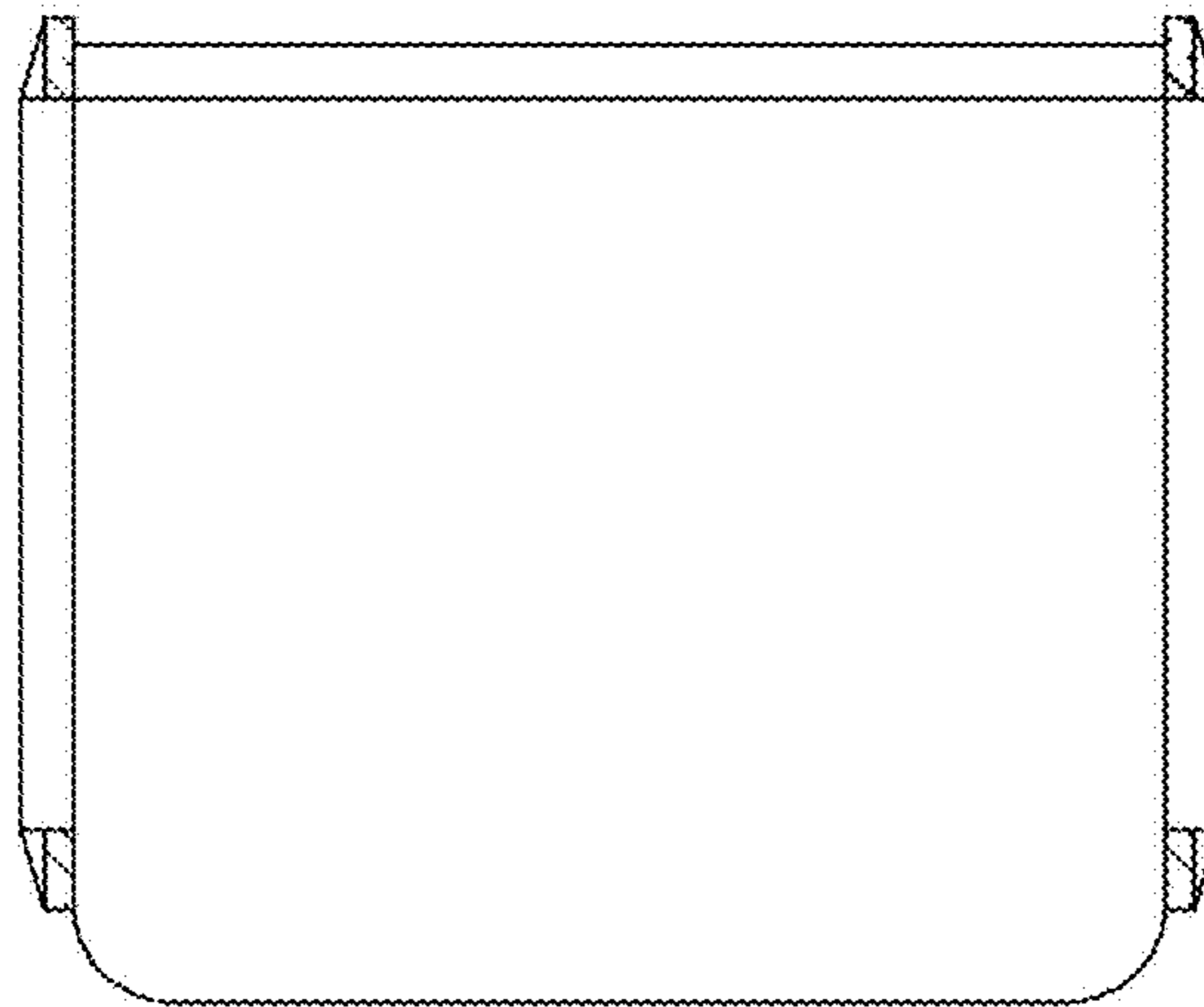
REAR VIEW

FIGURE 2



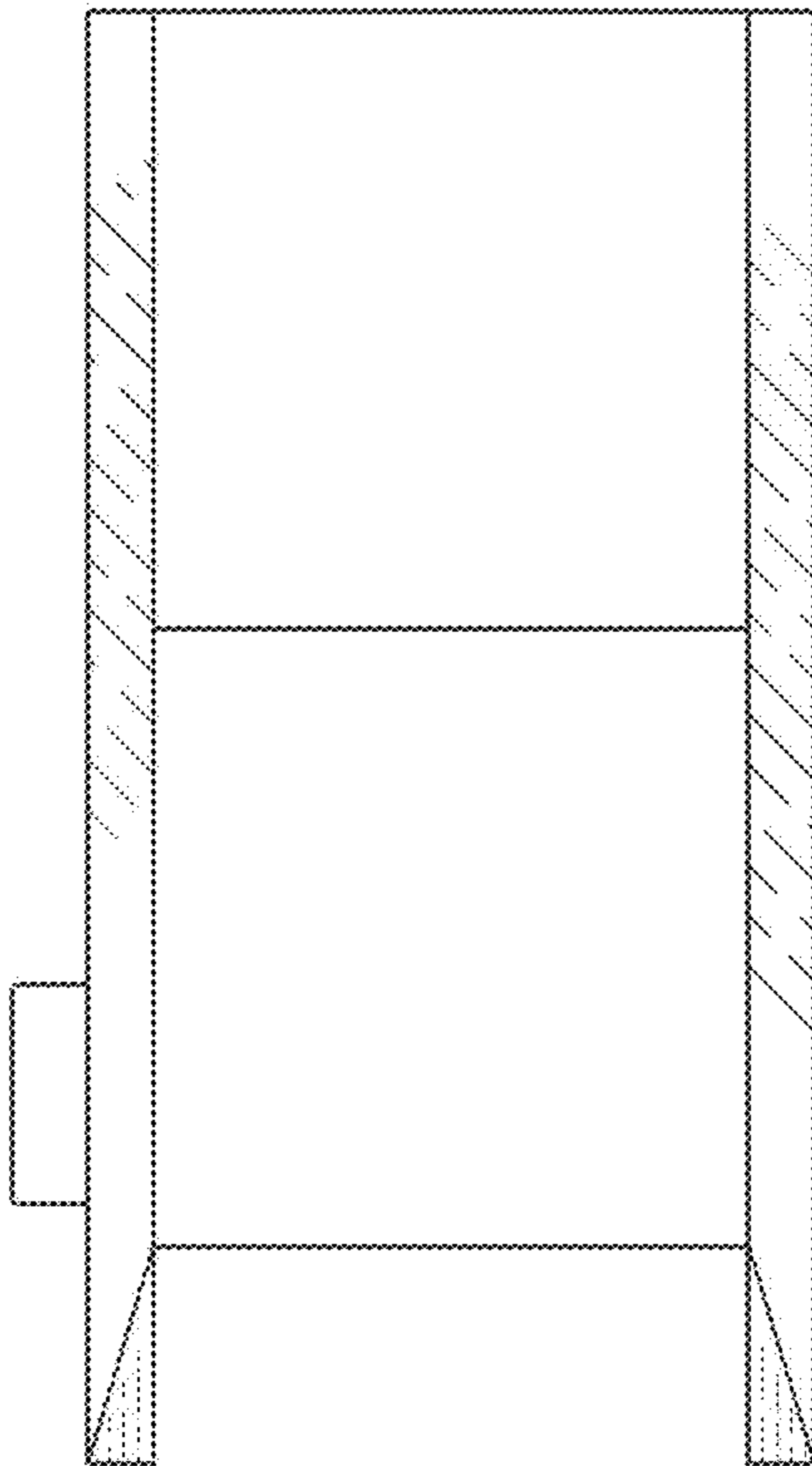
TOP VIEW

FIGURE 3



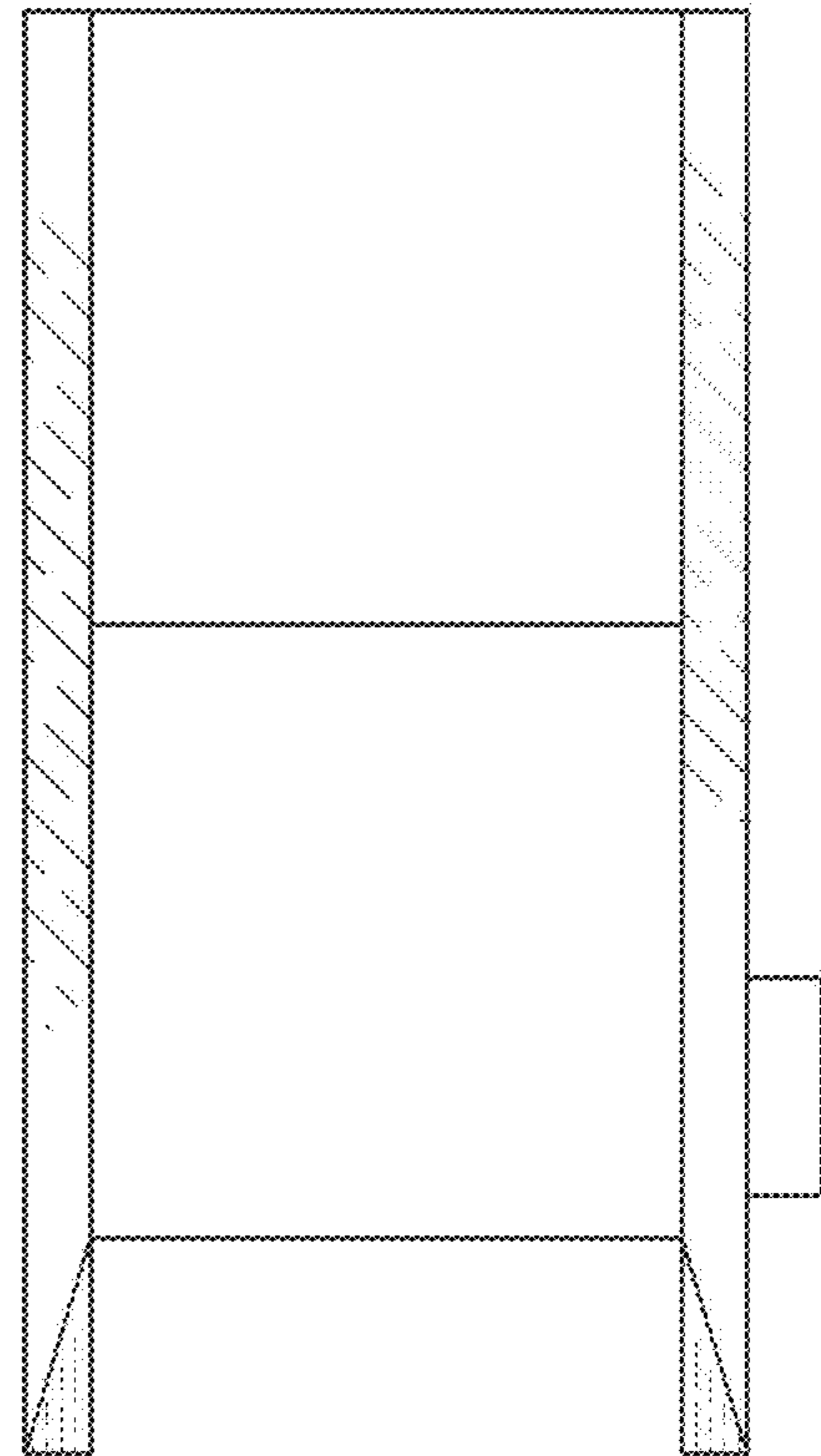
BOTTOM VIEW

FIGURE 4



RIGHT SIDE VIEW

FIGURE 5



LEFT SIDE VIEW

FIGURE 6

FRONT
PERSPECTIVE

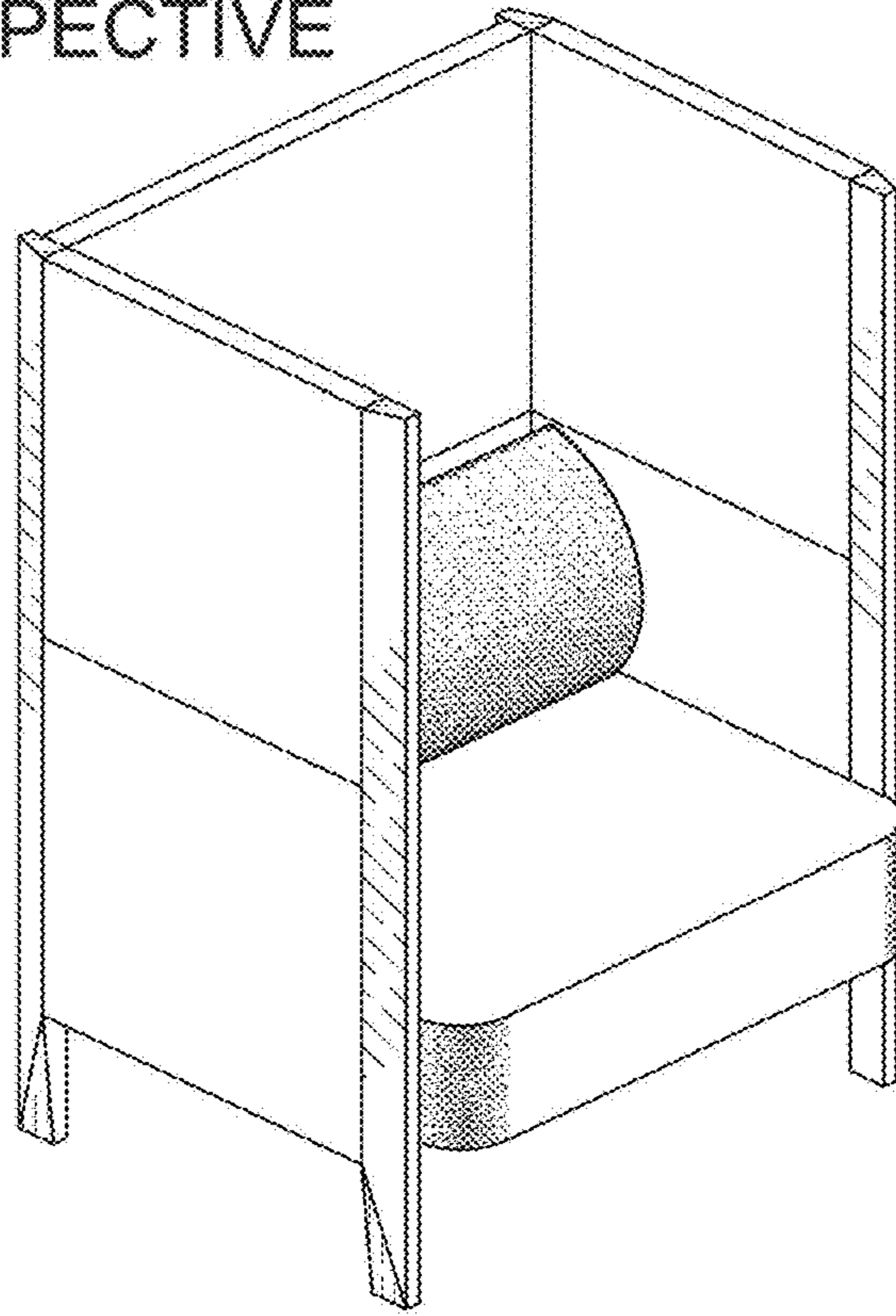


FIGURE 7

REAR
PERSPECTIVE

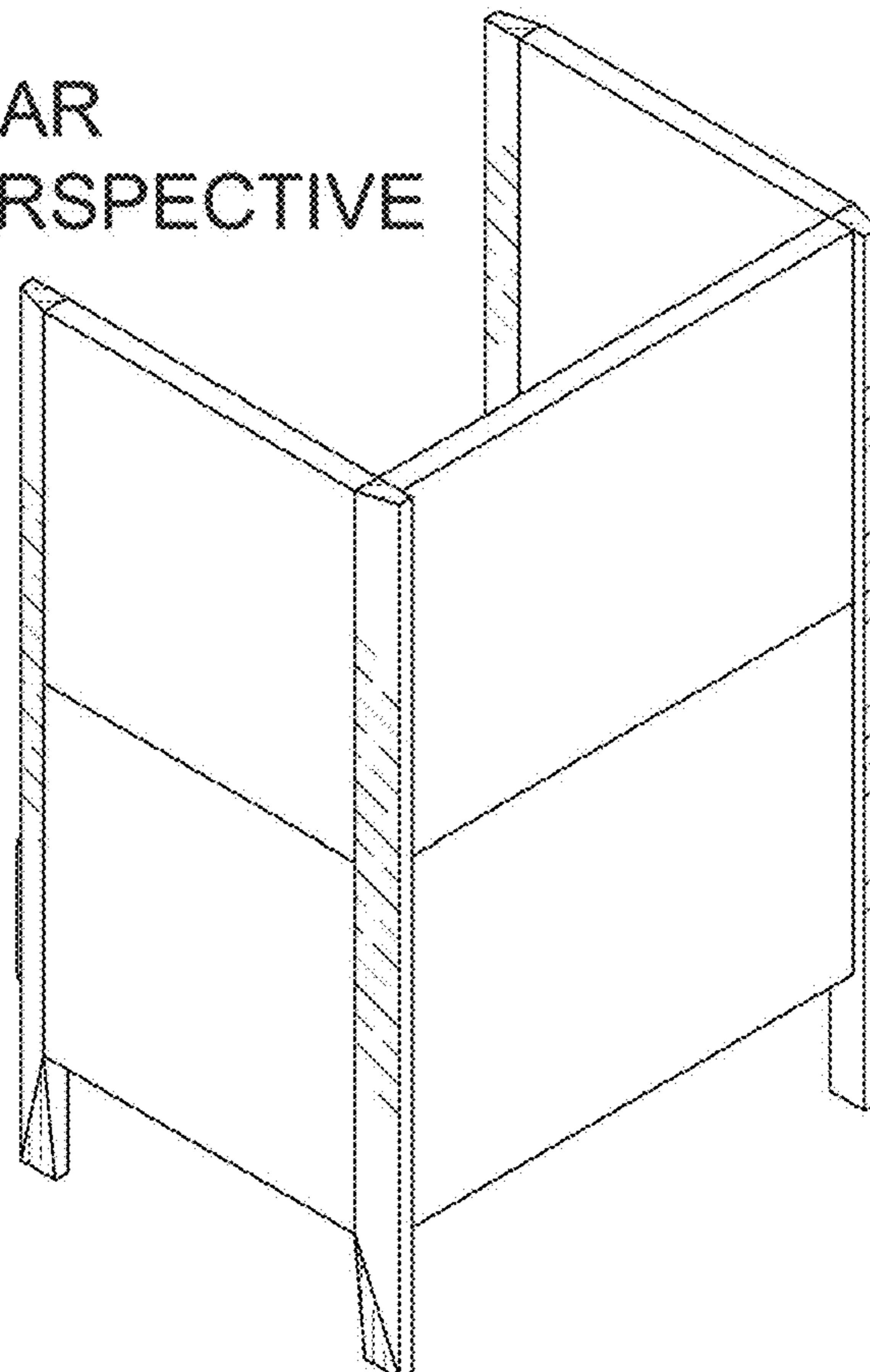
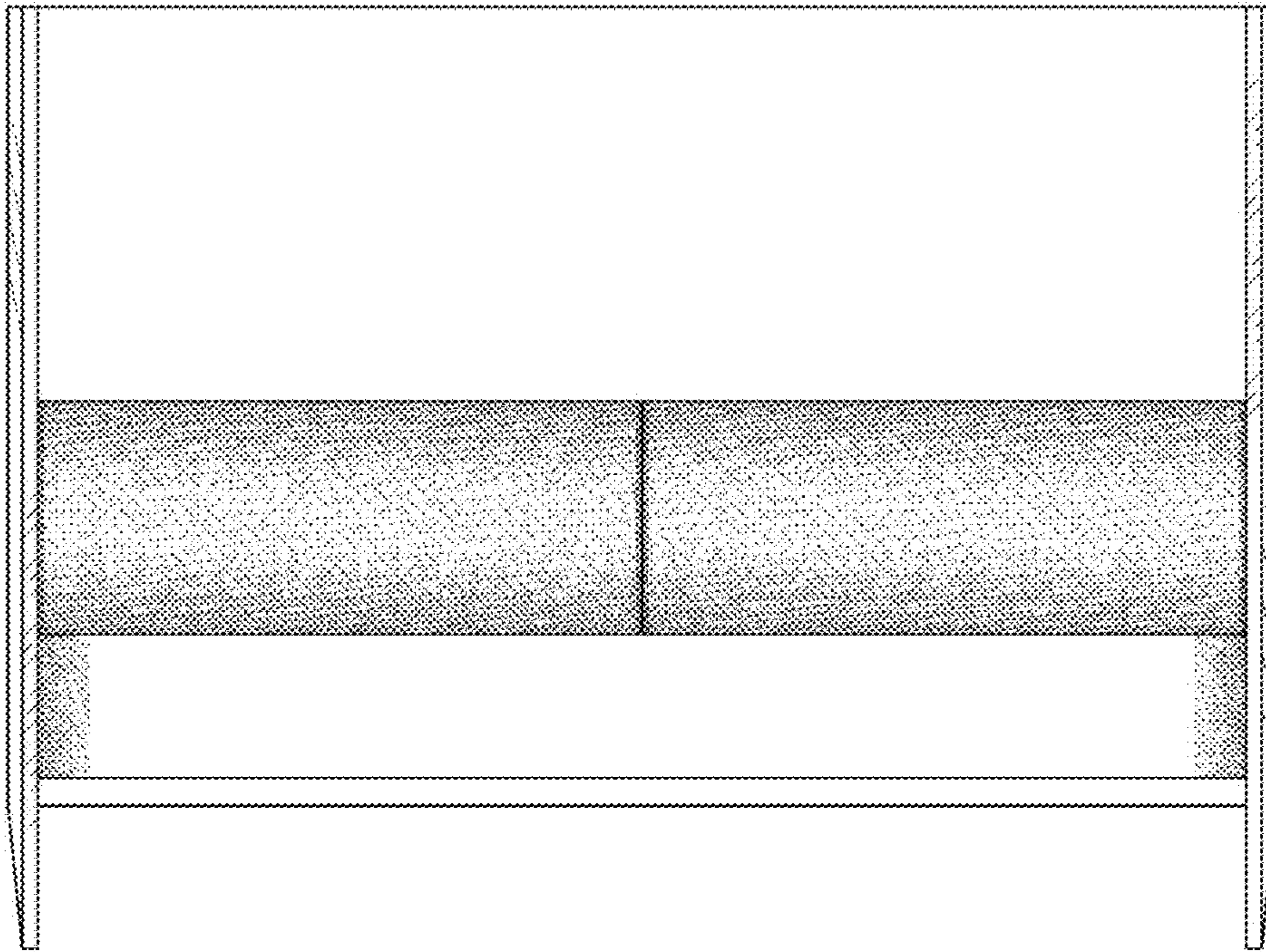


FIGURE 8



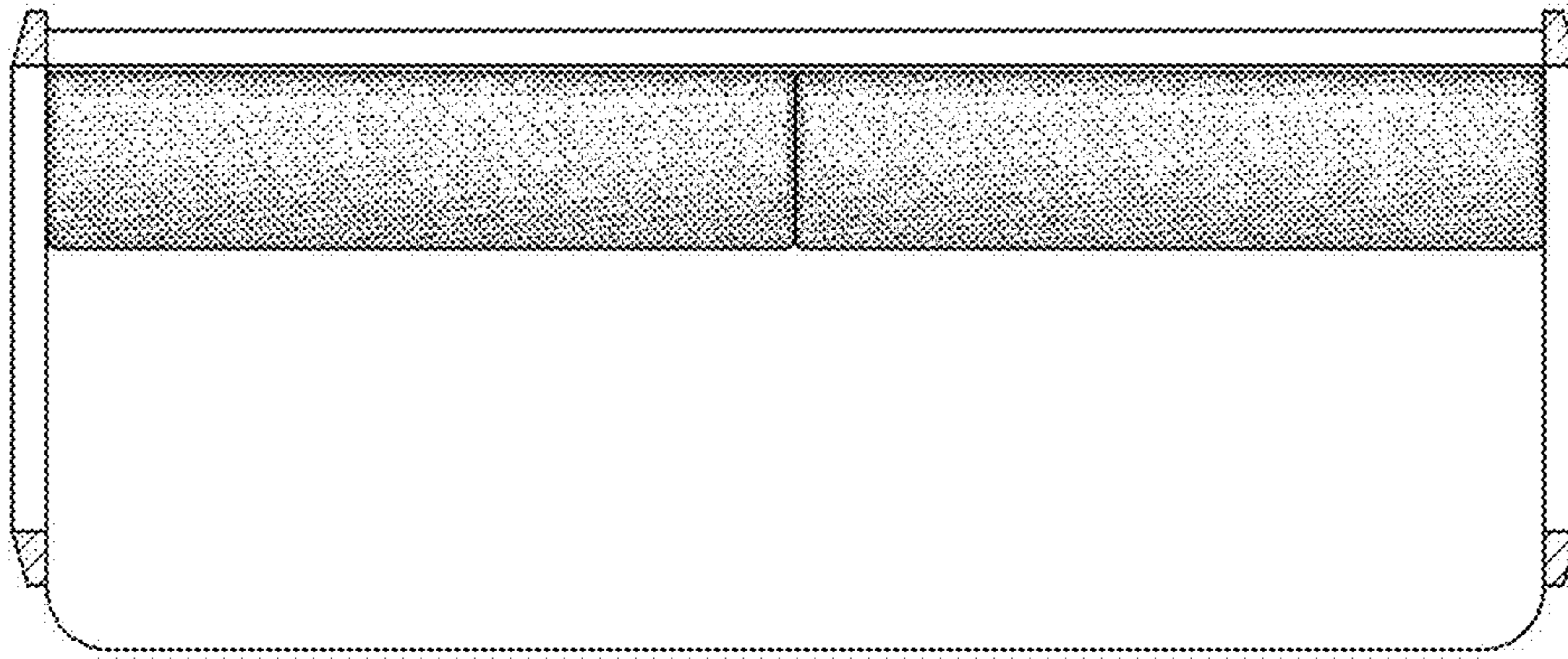
FRONT VIEW

FIGURE 9



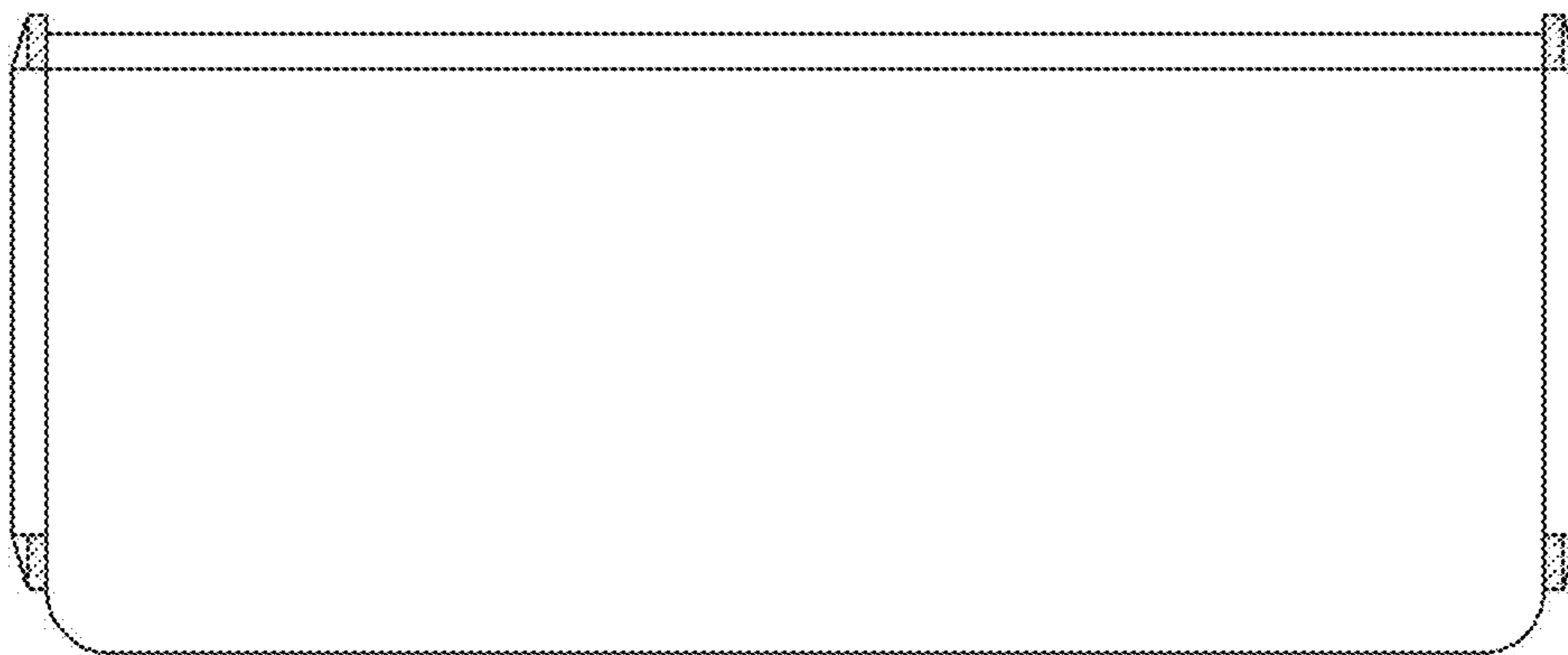
REAR VIEW

FIGURE 10



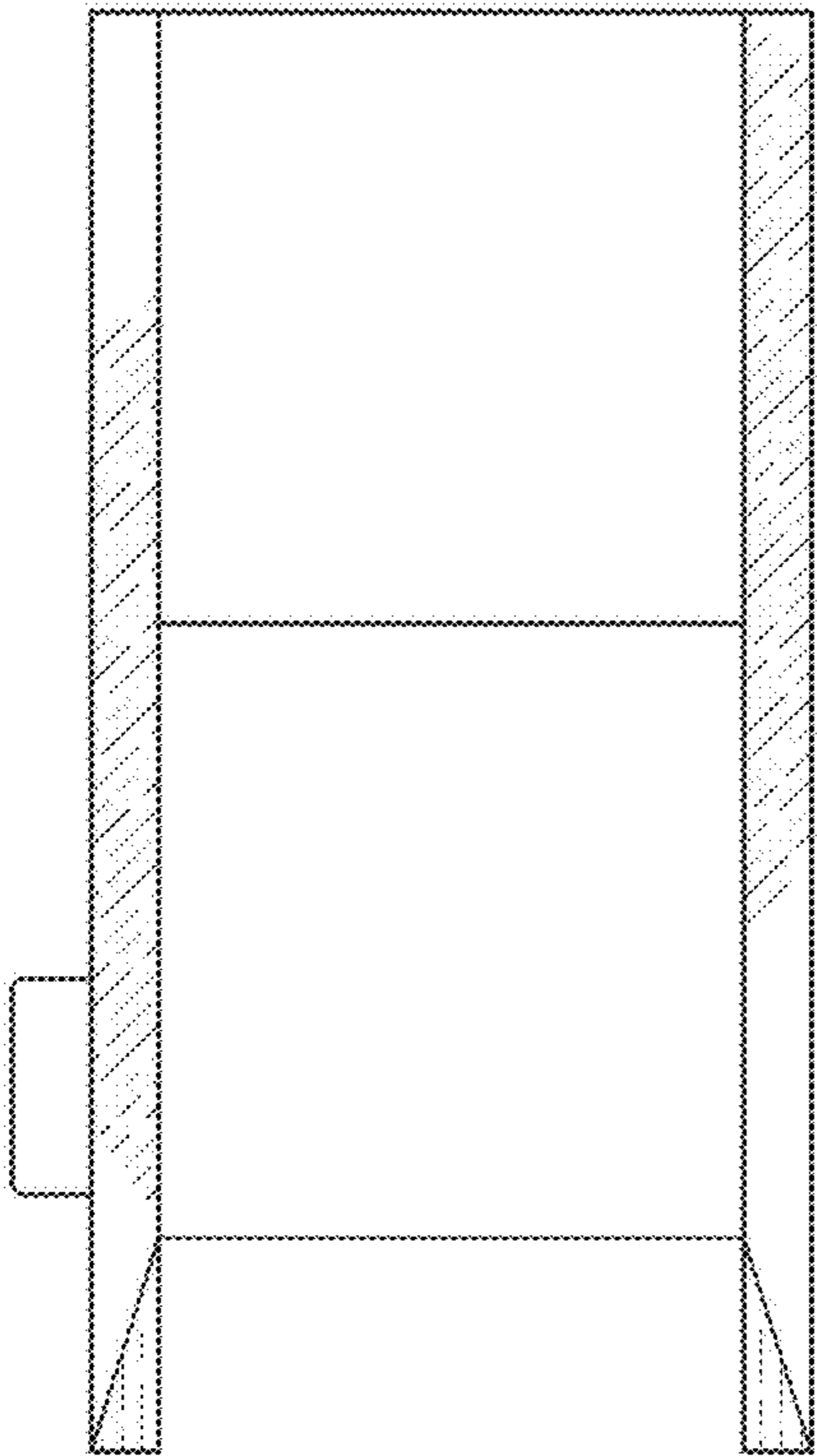
TOP VIEW

FIGURE 11



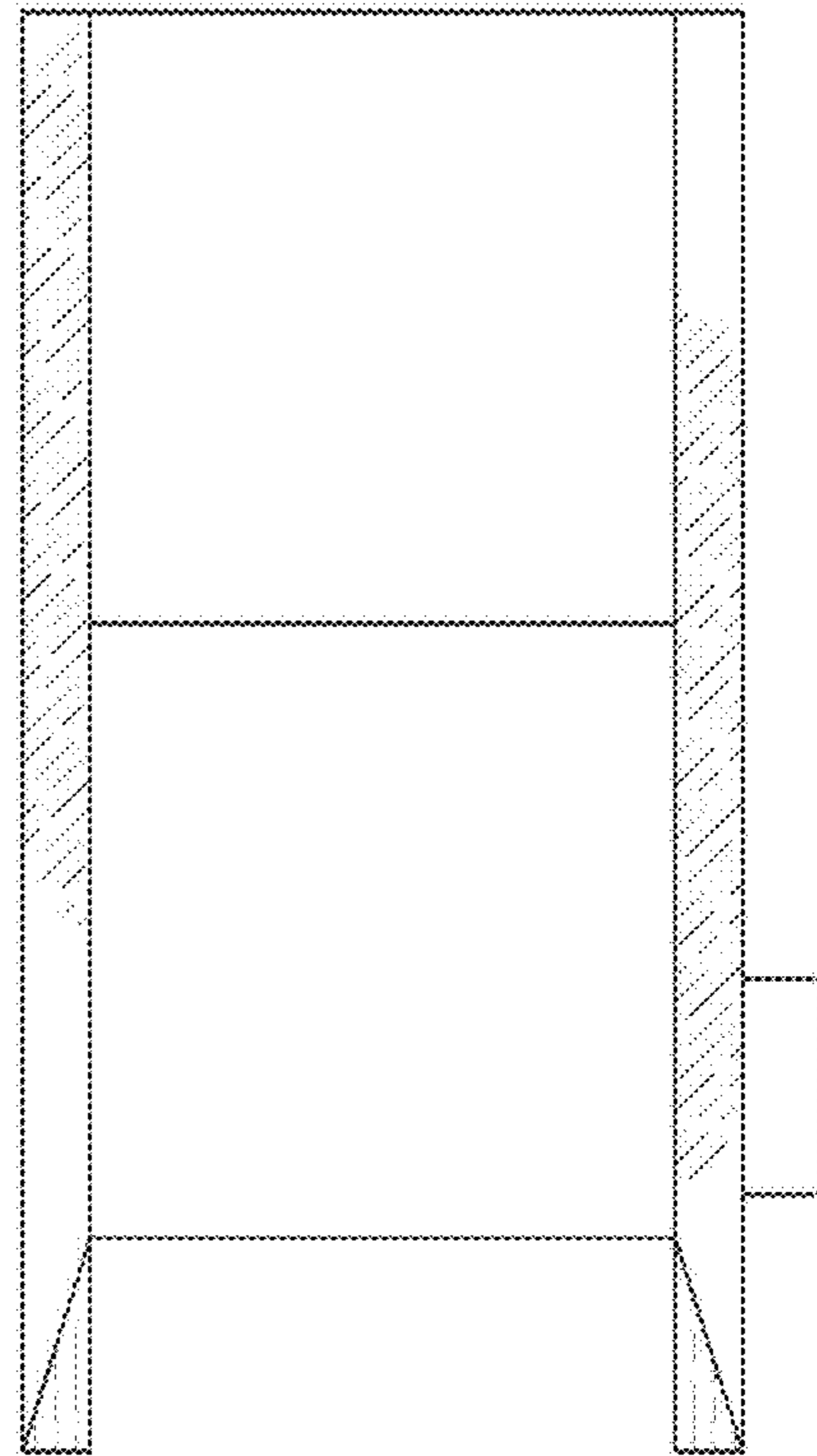
BOTTOM VIEW

FIGURE 12



RIGHT SIDE VIEW

FIGURE 13



LEFT SIDE VIEW

FIGURE 14

FRONT
PERSPECTIVE

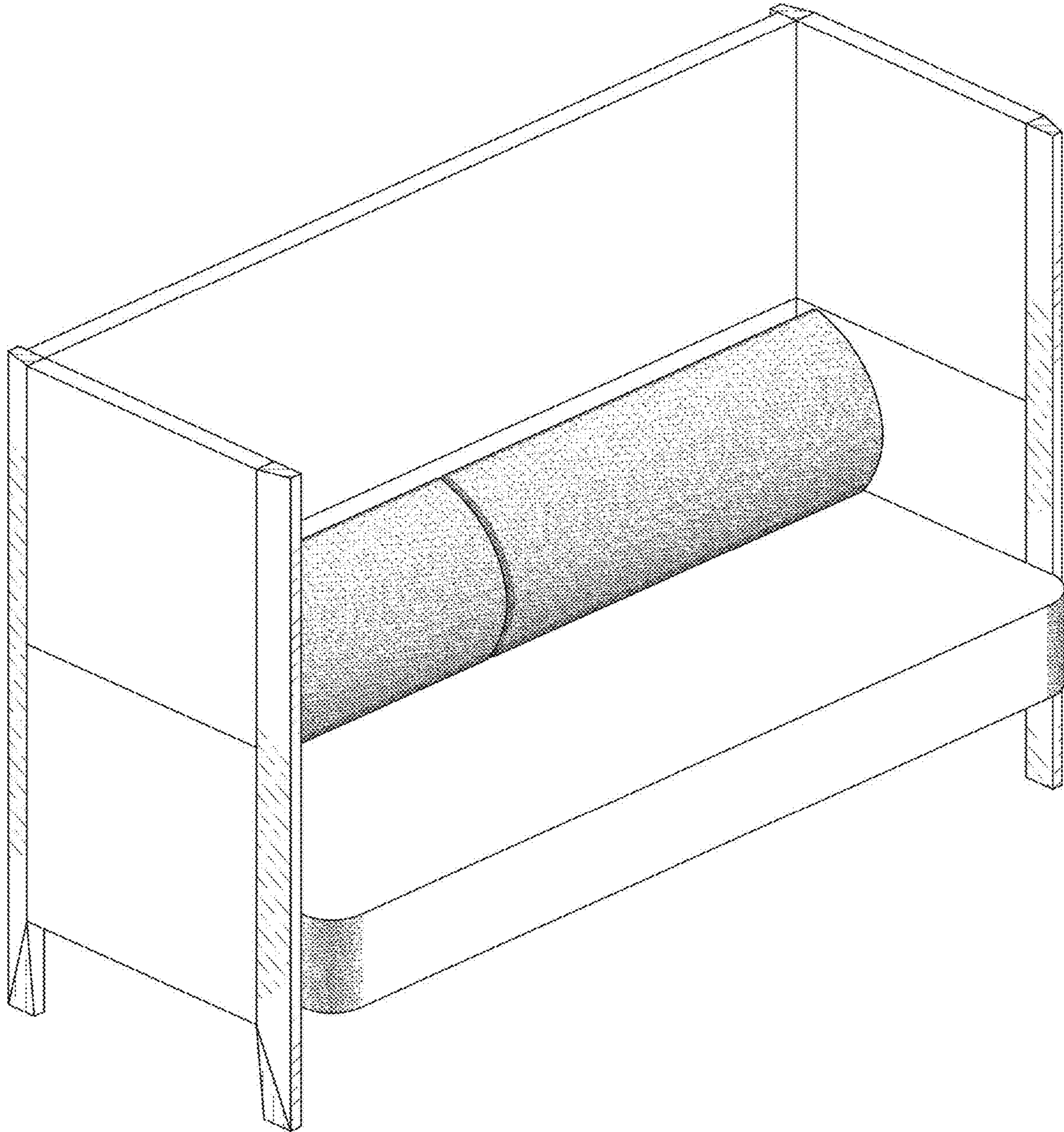


FIGURE 15

REAR
PERSPECTIVE

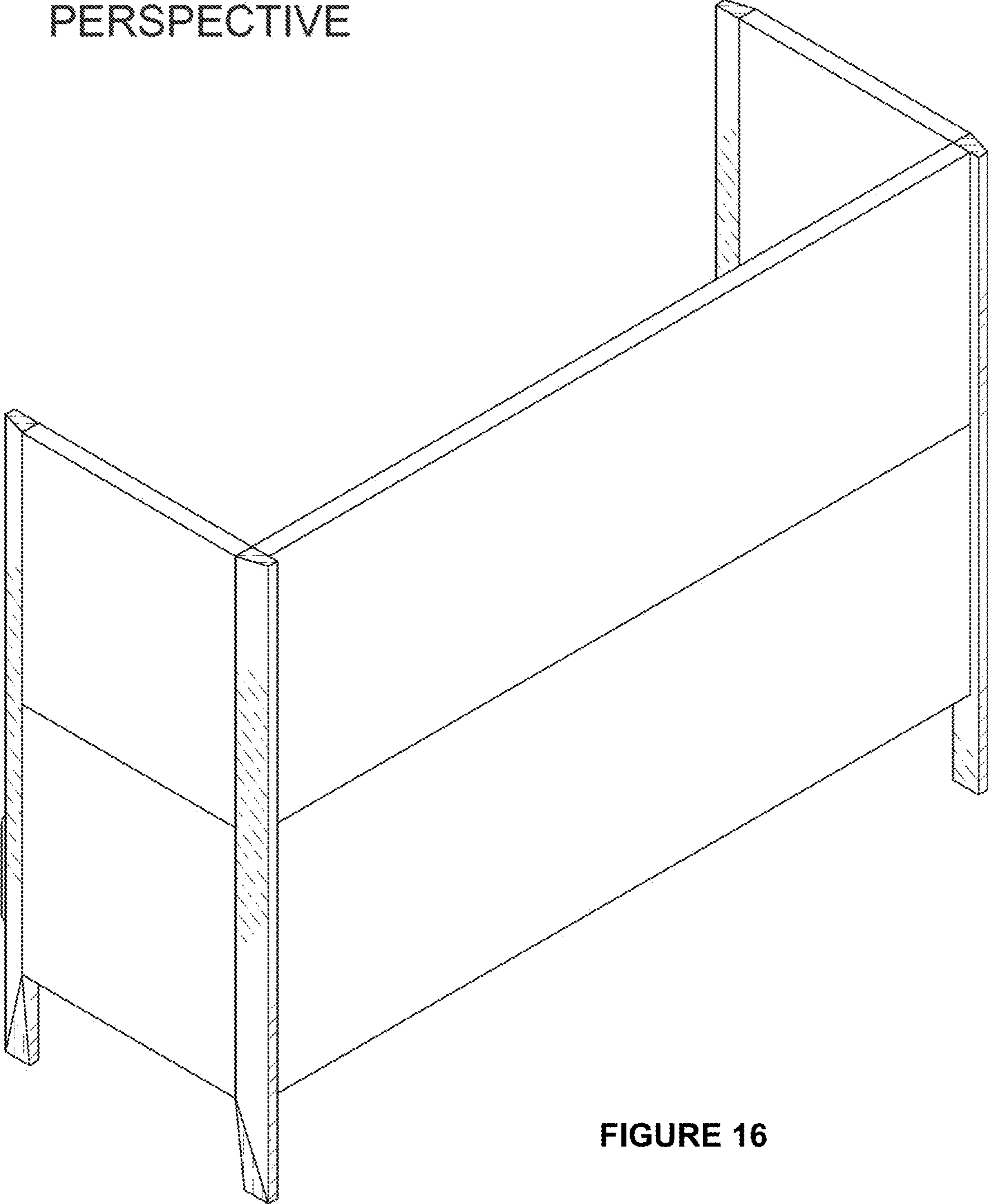


FIGURE 16