

US00D869175S

(12) **United States Design Patent** (10) **Patent No.:** **US D869,175 S**  
**Suzuki** (45) **Date of Patent:** **\*\* Dec. 10, 2019**

- (54) **COSMETIC CONTAINER**
- (71) Applicant: **KOTOBUKI & CO., LTD.**,  
Kawagoe-shi (JP)
- (72) Inventor: **Tomoaki Suzuki**, Kawagoe (JP)
- (73) Assignee: **KOTOBUKI & CO., LTD.**,  
Kawagoe-shi (JP)
- (\*\*) Term: **15 Years**
- (21) Appl. No.: **29/690,428**
- (22) Filed: **May 8, 2019**

- D784,024 S 4/2017 Jun
  - D787,191 S 5/2017 Hwang
  - D787,192 S 5/2017 Hwang
  - D787,193 S 5/2017 Hwang
  - D787,194 S \* 5/2017 Hwang ..... D4/127
- (Continued)

**Related U.S. Application Data**

- (62) Division of application No. 29/603,993, filed on May 15, 2017, now Pat. No. Des. 859,004.
- (51) **LOC (12) Cl.** ..... **04-02**
- (52) **U.S. Cl.**  
USPC ..... **D4/199**
- (58) **Field of Classification Search**  
USPC ..... D4/121, 127, 135, 138; 15/106, 159.1, 15/160, 176.1, 184, 190-194; 132/289, 132/294, 298, 313, 317, 320; 401/123, 401/141, 175, 281  
CPC ..... A46B 7/026; A46B 5/005; A46B 17/04; A46B 2200/1046  
See application file for complete search history.

**References Cited**

**U.S. PATENT DOCUMENTS**

- D624,755 S 10/2010 Luis et al.
- D628,811 S 12/2010 Masuyama
- D690,945 S 10/2013 Williams et al.
- D714,558 S \* 10/2014 Mink ..... D4/135
- D752,876 S 4/2016 Jacob et al.
- D768,998 S \* 10/2016 Kim ..... D4/127
- D781,593 S 3/2017 Kaicker

**OTHER PUBLICATIONS**

Design U.S. Appl. No. 29/603,993.  
(Continued)

*Primary Examiner* — Austin Murphy  
(74) *Attorney, Agent, or Firm* — Frost Brown Todd LLC

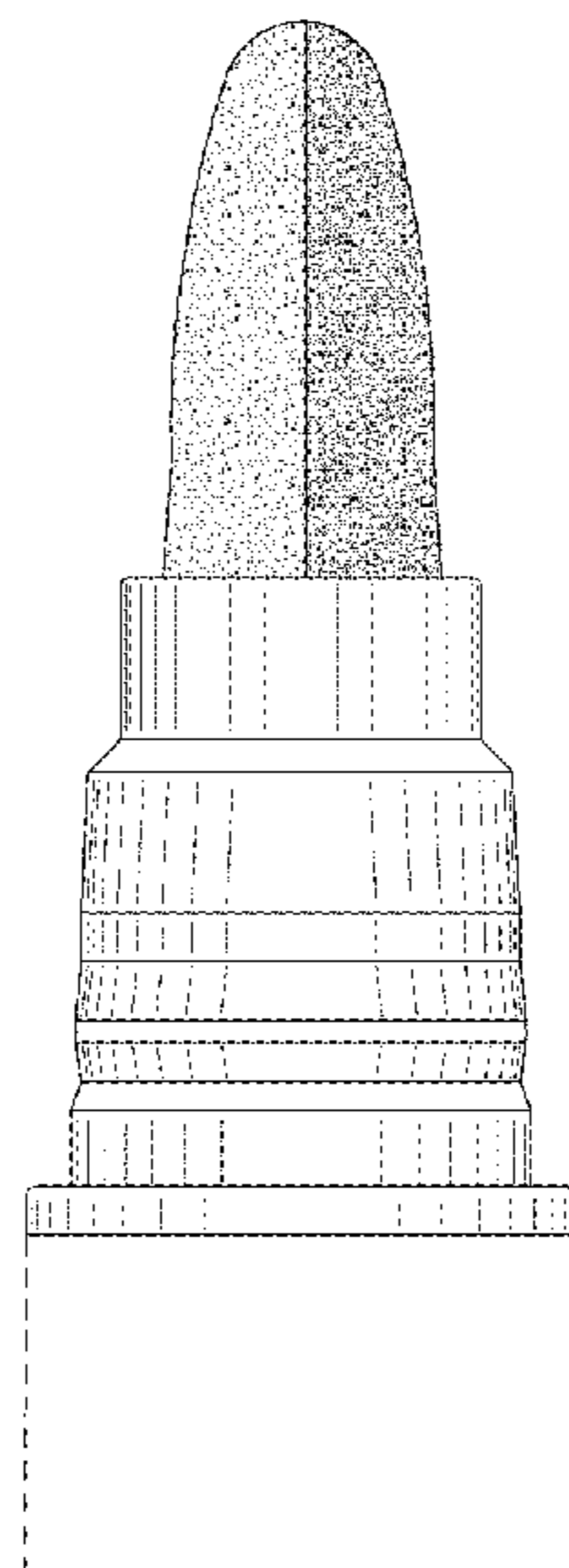
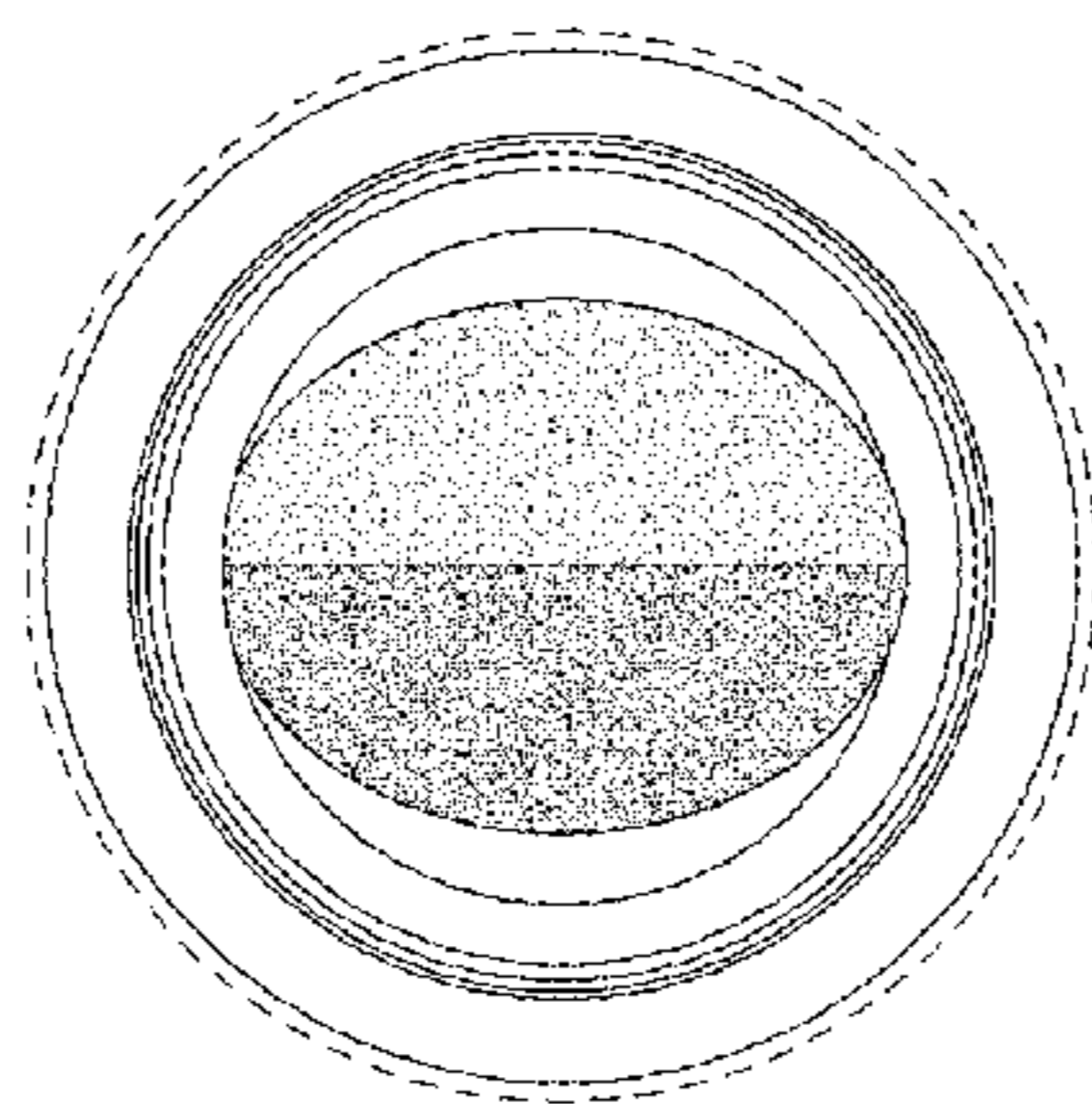
(57) **CLAIM**

The ornamental design for a cosmetic container, as shown and described.

**DESCRIPTION**

FIG. 1 is a perspective view of a cosmetic container, showing my new design;  
 FIG. 2 is a front view of the cosmetic container of FIG. 1;  
 FIG. 3 is a back view of the cosmetic container of FIG. 1;  
 FIG. 4 is a top view of the cosmetic container of FIG. 1;  
 FIG. 5 is a bottom view of the cosmetic container of FIG. 1;  
 FIG. 6 is a left side view of the cosmetic container of FIG. 1 (the right side view being a mirror image of the left side view shown in FIG. 6);  
 FIG. 7 is an enlarged top view of the cosmetic container of FIG. 1;  
 FIG. 8 is an enlarged view of a portion of the cosmetic container of FIG. 1, the portion being indicated by the broken line circle in FIG. 6; and,  
 FIG. 9 is a front view of the cosmetic container of FIG. 1, with a cap thereof.  
 The broken lines in the drawings are unclaimed environment and form no part of the claimed design.

**1 Claim, 3 Drawing Sheets**



(56)

References Cited

U.S. PATENT DOCUMENTS

D787,195 S 5/2017 Nakamura  
 D787,833 S 5/2017 Jain  
 D789,695 S 6/2017 Jain  
 D791,488 S 7/2017 Jain  
 D793,090 S 8/2017 Allen et al.  
 D798,604 S 10/2017 Hwang  
 D801,058 S \* 10/2017 Xavier ..... D4/135  
 D818,277 S 5/2018 Jain  
 D818,718 S 5/2018 Kaicker  
 D829,006 S 9/2018 Richards  
 D831,971 S \* 10/2018 Porcaro ..... D4/135  
 D832,521 S 10/2018 West  
 D840,693 S 2/2019 Hwang  
 D850,116 S \* 6/2019 Schmidt ..... D4/114  
 D859,004 S \* 9/2019 Suzuki ..... D4/199  
 2005/0138746 A1 \* 6/2005 Young-Chul ..... A46B 3/00  
 15/191.1  
 2007/0098485 A1 \* 5/2007 Byun ..... A45D 33/02  
 401/286  
 2009/0183328 A1 \* 7/2009 King ..... A46B 5/0062  
 15/143.1  
 2011/0174680 A1 \* 7/2011 Arvin ..... A45D 33/00  
 206/581  
 2012/0260931 A1 \* 10/2012 Martin ..... A46B 13/02  
 132/200  
 2012/0298130 A1 \* 11/2012 Telwar ..... A46B 3/08  
 132/317

2014/0331422 A1 \* 11/2014 Lim ..... A45D 40/262  
 15/106  
 2015/0121638 A1 \* 5/2015 Lim ..... A46B 7/023  
 15/184  
 2015/0265039 A1 \* 9/2015 Godin ..... A46B 9/021  
 15/207.2  
 2016/0066681 A1 \* 3/2016 Xavier ..... A46B 9/021  
 2016/0324306 A1 \* 11/2016 Martin ..... A46B 13/02  
 2018/0084897 A1 \* 3/2018 Serposi ..... A46B 9/021

OTHER PUBLICATIONS

Design U.S. Appl. No. 29/690,427.  
 Design U.S. Appl. No. 29/690,429; and.  
 Design U.S. Appl. No. 29/690,430.  
 Notification of Refusal of Japanese Design Application No. 2017-500327, dated Jan. 5, 2018, 8 pgs.  
 "Color Stay Rouge," Cecile.com, 1999, downloaded Jan. 11, 2018 from <https://www.cecile.co.jp/detail/YG-1383/>, 7 pgs.  
 Design U.S. Appl. No. 29/603,993, filed May 15, 2017, by Suzuki, entitled: Cosmetic Container.  
 Design U.S. Appl. No. 29/690,427, filed May 8, 2019, by Suzuki, entitled: Cosmetic Container.  
 Design U.S. Appl. No. 29/690,429, filed May 8, 2019, by Suzuki, entitled: Cosmetic Container.  
 Design U.S. Appl. No. 29/690,430, filed May 8, 2019, by Suzuki, entitled: Cosmetic Container.

\* cited by examiner

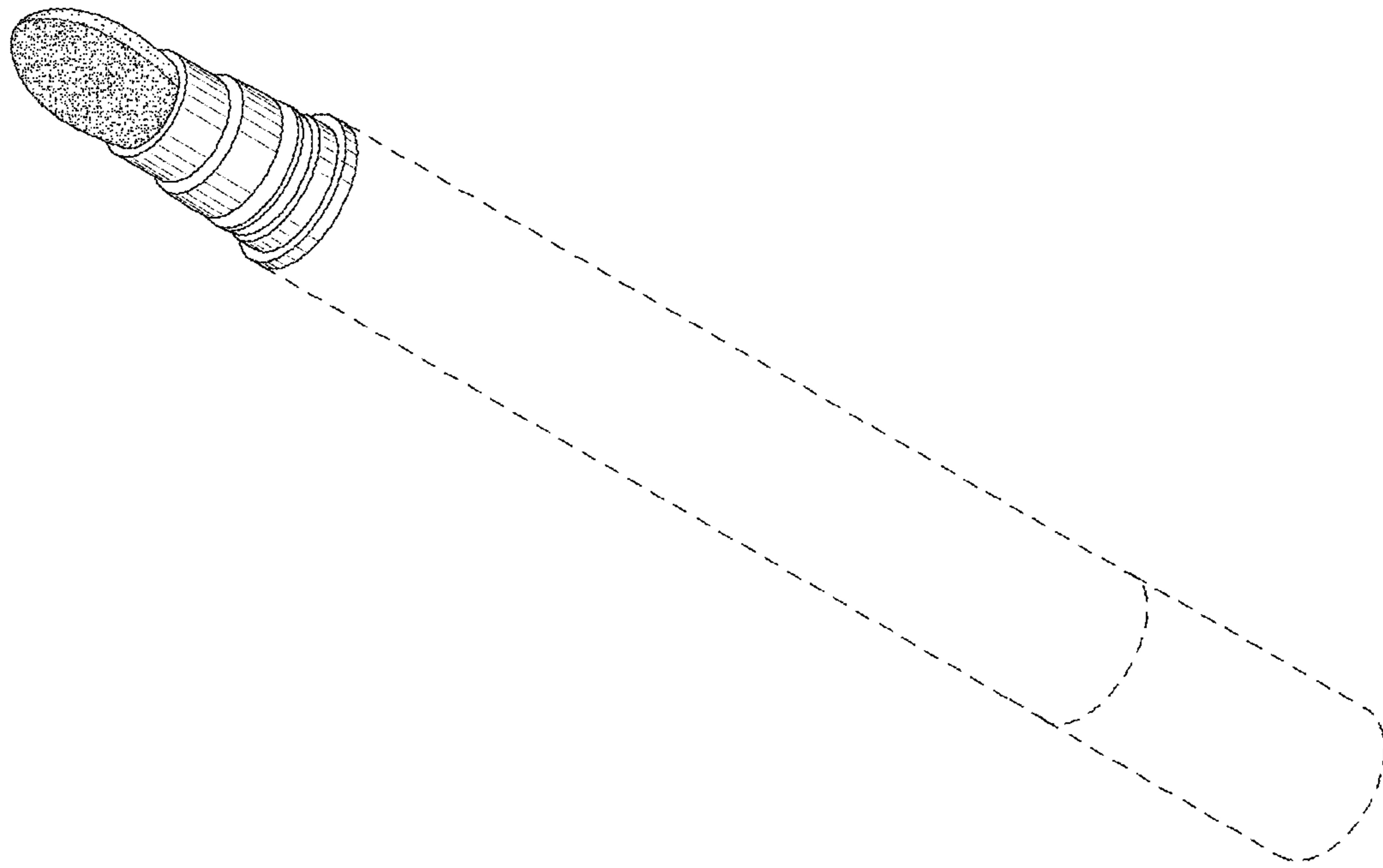


FIG. 1

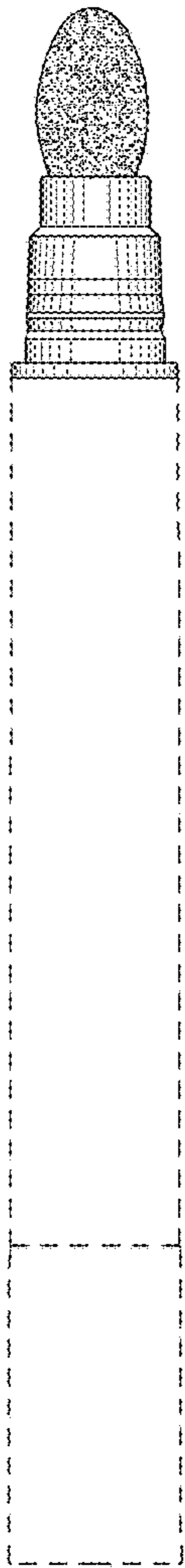


FIG. 2

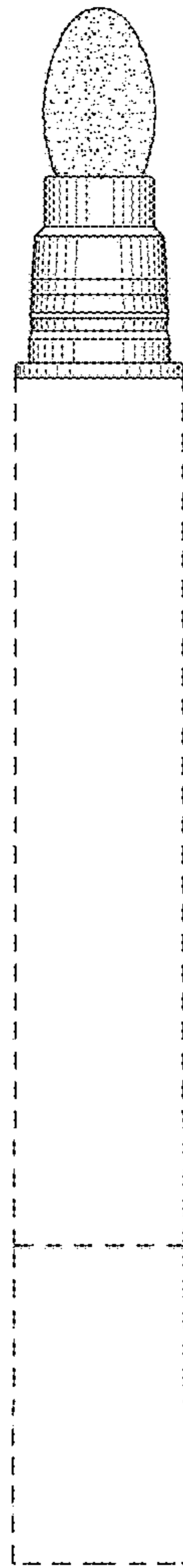


FIG. 3

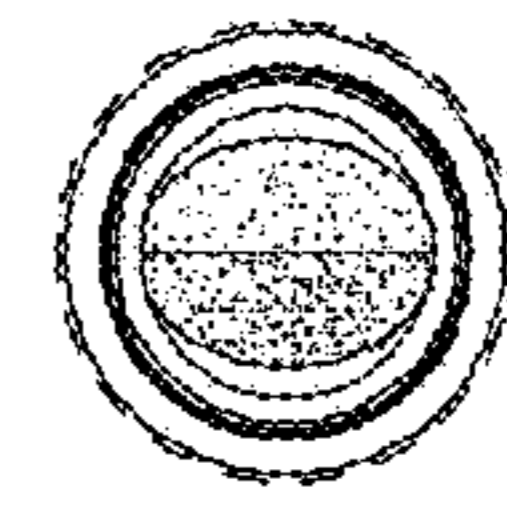


FIG. 4

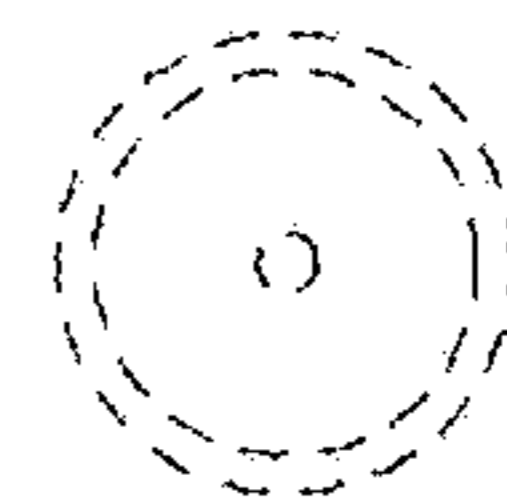


FIG. 5

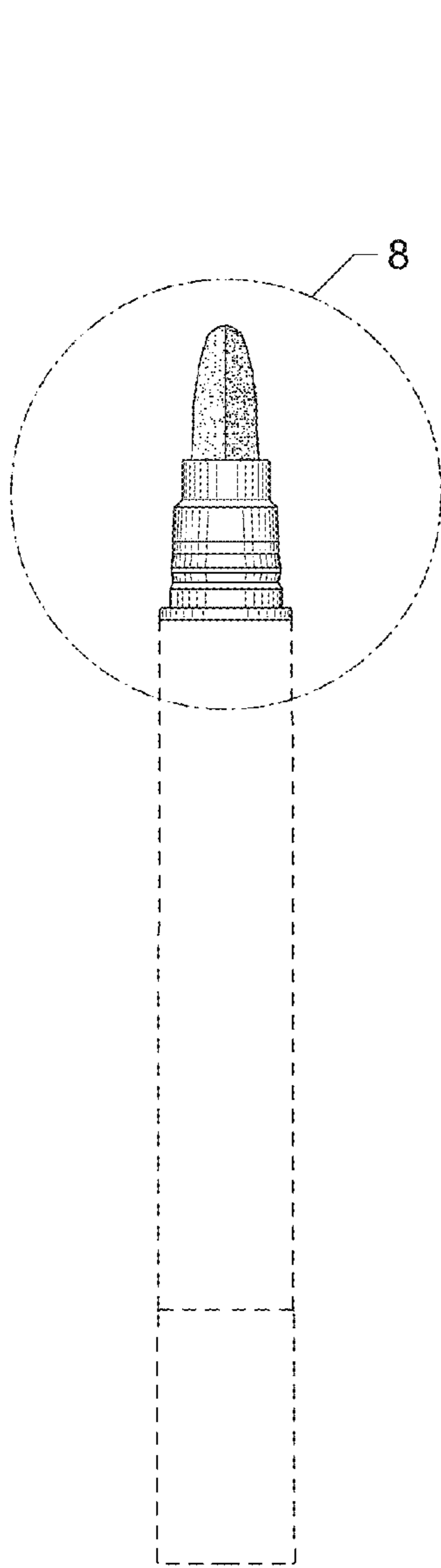


FIG. 6

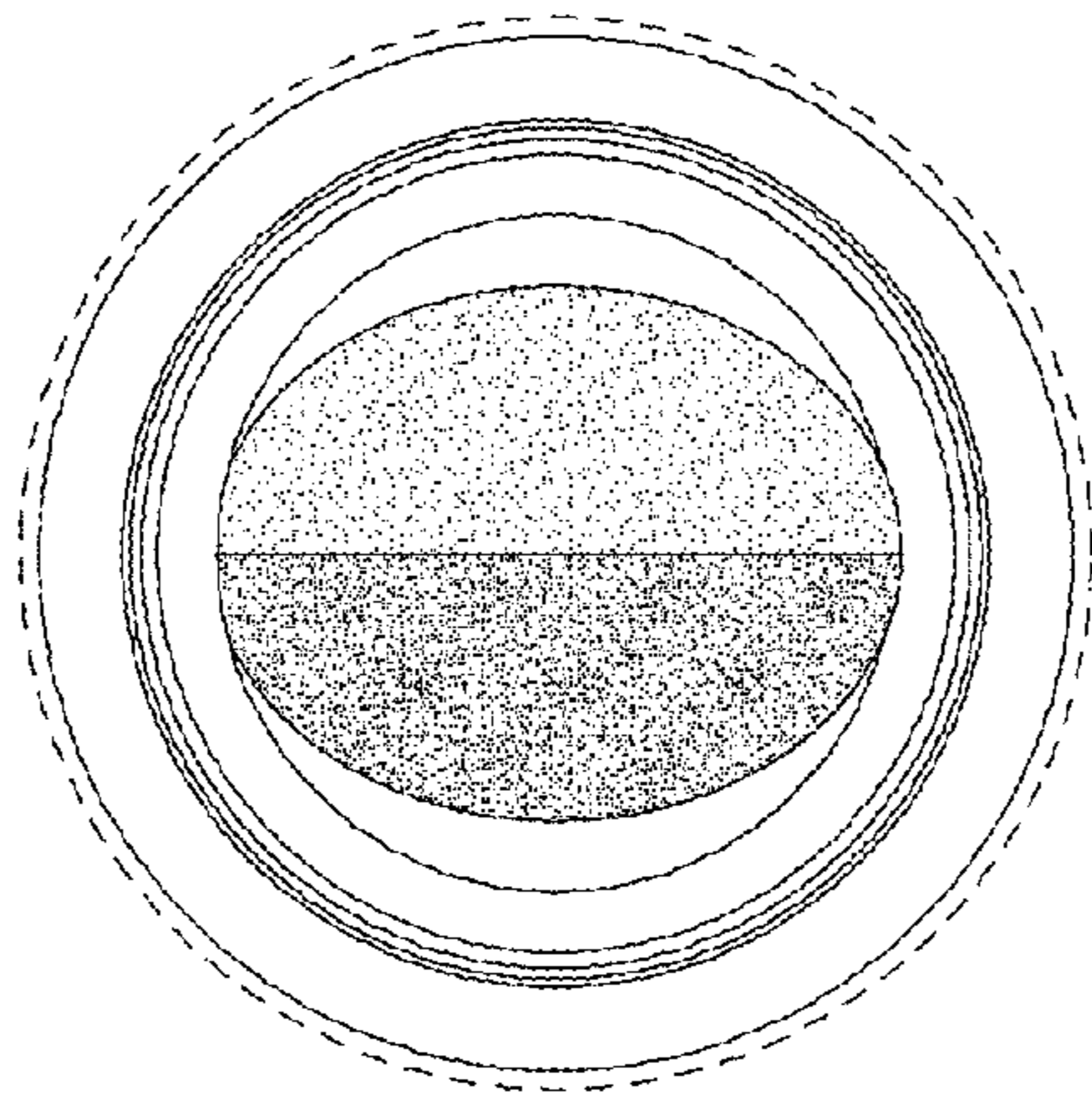


FIG. 7

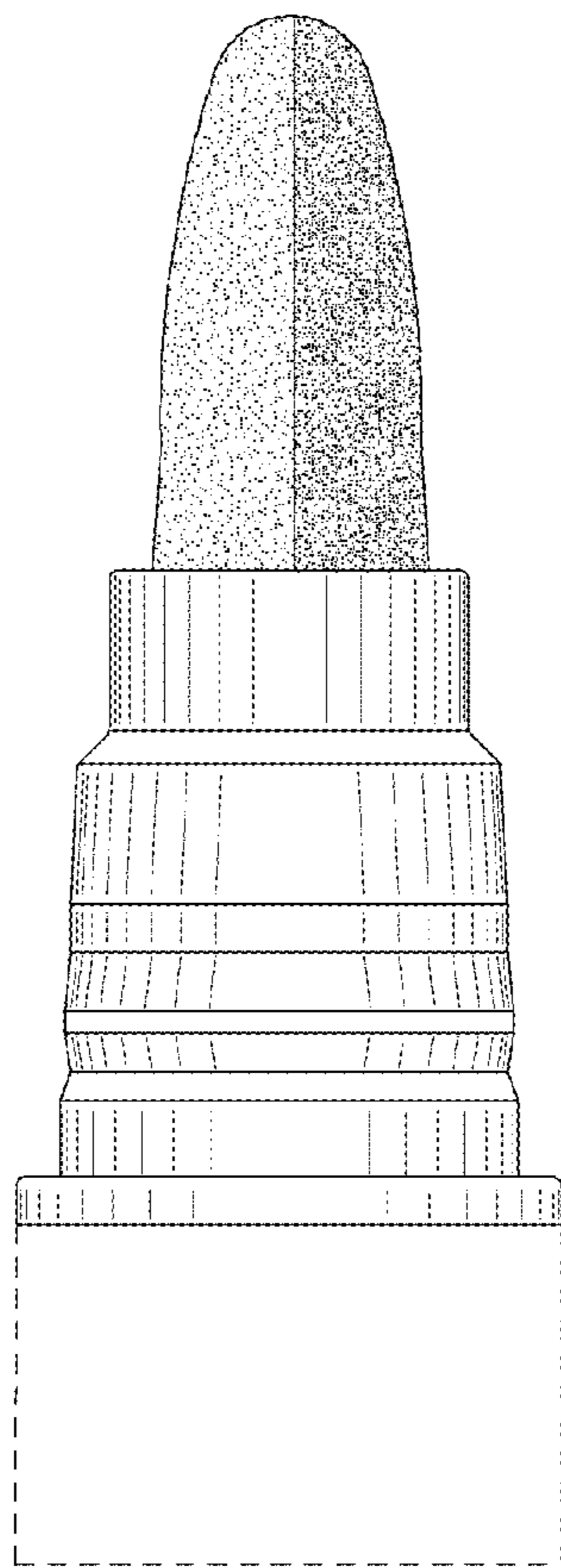


FIG. 8

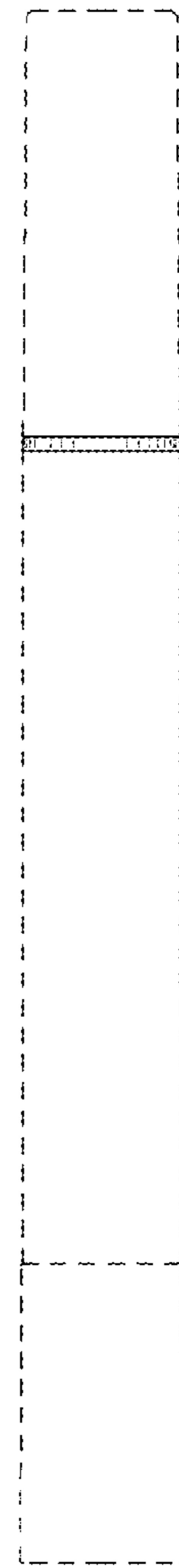


FIG. 9