



US00D869174S

(12) **United States Design Patent** (10) **Patent No.:** **US D869,174 S**
Grund et al. (45) **Date of Patent:** **** Dec. 10, 2019**

- (54) **MAKEUP BRUSH**
- (71) Applicant: **And.B, LLC**, New York, NY (US)
- (72) Inventors: **Bobbie Lynn Grund**, New York, NY (US); **Andrea DeVos Abraham**, New York, NY (US)
- (73) Assignee: **And.B, LLC**, New York, NY (US)
- (**) Term: **15 Years**
- (21) Appl. No.: **29/644,792**
- (22) Filed: **Apr. 20, 2018**

Related U.S. Application Data

- (63) Continuation of application No. 29/573,881, filed on Aug. 10, 2016, now Pat. No. Des. 818,275.
- (51) **LOC (12) Cl.** **04-01**
- (52) **U.S. Cl.**
USPC **D4/120**
- (58) **Field of Classification Search**
USPC D4/105, 130, 134-135, 138;
D23/223-227; D19/125; 15/159.1, 160,
15/168, 186-188, 192; 132/320
CPC A46D 1/003; A46D 1/02; A46D 1/0238;
A46D 1/00; A46B 5/00; A46B 3/02;
A46B 11/00; A45D 40/262
See application file for complete search history.

References Cited

U.S. PATENT DOCUMENTS

- D279,729 S * 7/1985 Polish D4/135
6,039,051 A 3/2000 Dorf
D436,449 S * 1/2001 Baltierra D28/57
D439,415 S * 3/2001 Mink D4/121
D450,931 S * 11/2001 Mink D4/135
6,779,532 B2 * 8/2004 Dorf A46B 3/10
132/200
D528,304 S 9/2006 Langer

- D558,982 S * 1/2008 Dovellos D4/135
D625,522 S 10/2010 Riaz
D630,437 S 1/2011 Carey
D655,512 S 3/2012 Pope
D662,324 S * 6/2012 Garcia D4/135
D663,957 S 7/2012 Garcia
D666,008 S 8/2012 Boudreau
D686,417 S * 7/2013 Pope D4/135
D705,545 S * 5/2014 Hile D4/135
D710,617 S * 8/2014 Mink D4/135
D713,646 S 9/2014 Mink
D714,558 S * 10/2014 Mink D4/135
D718,941 S * 12/2014 Matsuishi D4/135
D749,858 S 2/2016 Snook
D749,859 S 2/2016 Snook
D751,824 S 3/2016 Childs
D767,903 S 10/2016 Lim
D768,998 S 10/2016 Kim et al.
D776,440 S 1/2017 Jain

(Continued)

Primary Examiner — Kevin K Rudzinski
Assistant Examiner — Mehri F Bajoul
(74) *Attorney, Agent, or Firm* — Warner Norcross + Judd LLP

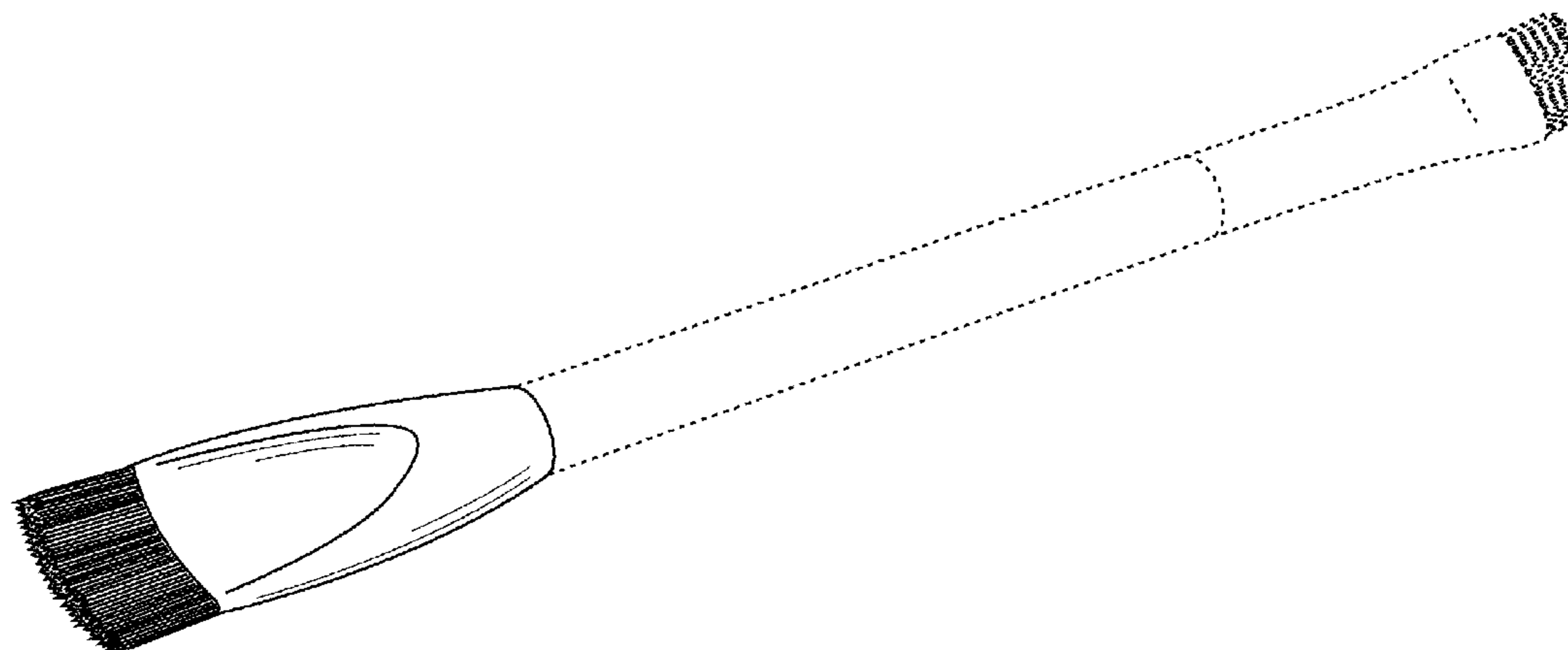
(57) **CLAIM**

The ornamental design for a makeup brush, as shown and described.

DESCRIPTION

FIG. 1 is a perspective view of a makeup brush;
FIG. 2 is a right side elevation view thereof;
FIG. 3 is a front elevation view thereof;
FIG. 4 is an inverted left side elevation view thereof;
FIG. 5 is a rear elevation view thereof;
FIG. 6 is a top plan view thereof; and,
FIG. 7 is a bottom plan view thereof.
The broken lines in the figures depict portions of the makeup brush that form no part of the claimed design.

1 Claim, 3 Drawing Sheets



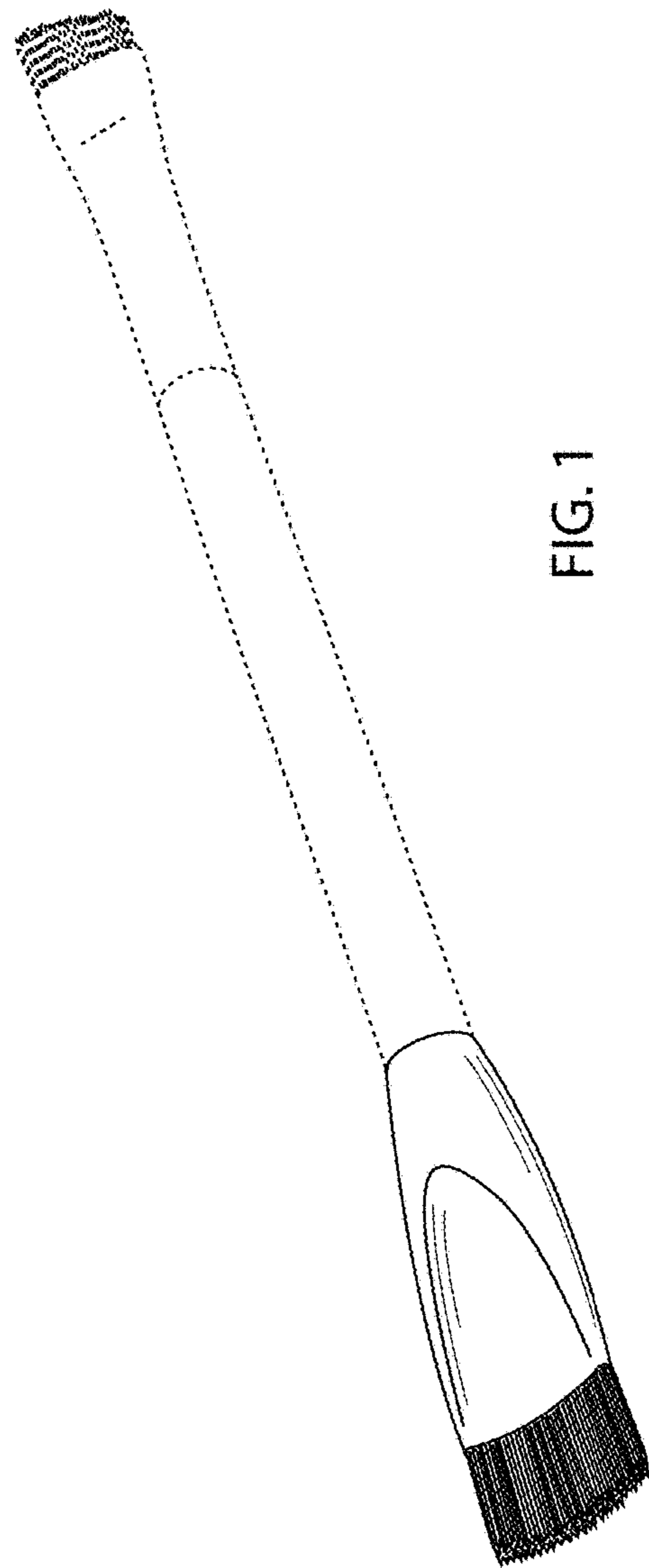
(56)

References Cited

U.S. PATENT DOCUMENTS

D782,826	S *	4/2017	Kim	D4/127
D798,063	S	9/2017	Grund et al.	
D807,043	S *	1/2018	Grund	D4/120
D813,451	S *	3/2018	Grund	D28/7
D818,275	S *	5/2018	Grund	D4/120
D831,971	S *	10/2018	Porcaro	D4/135
D835,419	S *	12/2018	Lim	D4/135
D837,531	S *	1/2019	Hirokawa	D4/135
D843,651	S *	3/2019	Grund	D28/7
2002/0083953	A1 *	7/2002	Dorf	A46B 3/10 132/200
2003/0150073	A1 *	8/2003	Jang	B29C 39/025 15/143.1
2005/0133947	A1 *	6/2005	Jang	B29C 39/025 264/162
2007/0235395	A1	10/2007	Mondale et al.	
2010/0017990	A1 *	1/2010	Piao	A46B 7/04 15/176.6
2010/0037407	A1	2/2010	Telwar	
2010/0101035	A1	4/2010	Nakamura	
2012/0260931	A1	10/2012	Martin et al.	
2013/0098382	A1	4/2013	Martin et al.	
2014/0325779	A1	11/2014	Dansby	
2015/0296964	A1	10/2015	Kim et al.	
2016/0081456	A1	3/2016	Grund et al.	
2016/0262528	A1	9/2016	Telwar	
2017/0188691	A1 *	7/2017	Richards	A46B 5/0095
2017/0265637	A1	9/2017	Telwar	

* cited by examiner



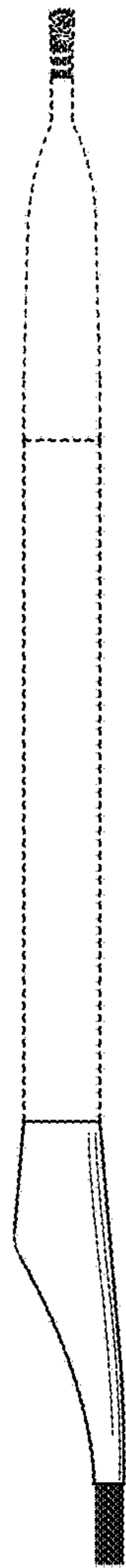


FIG. 2

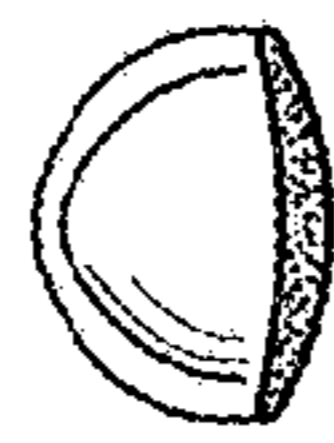


FIG. 3

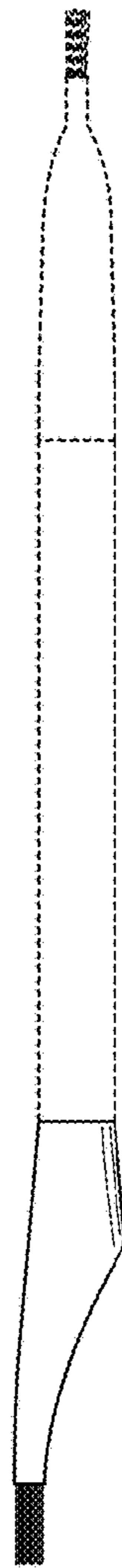


FIG. 4



FIG. 5

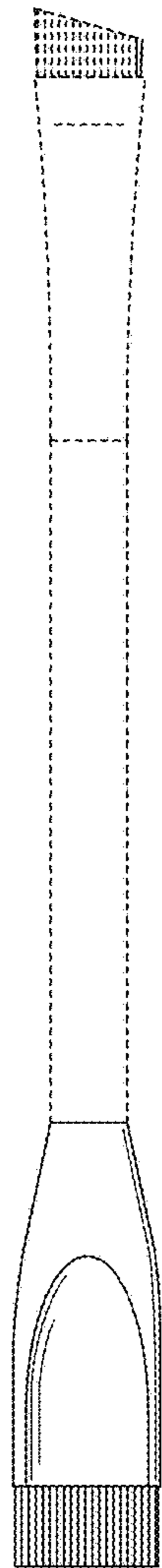


FIG. 6

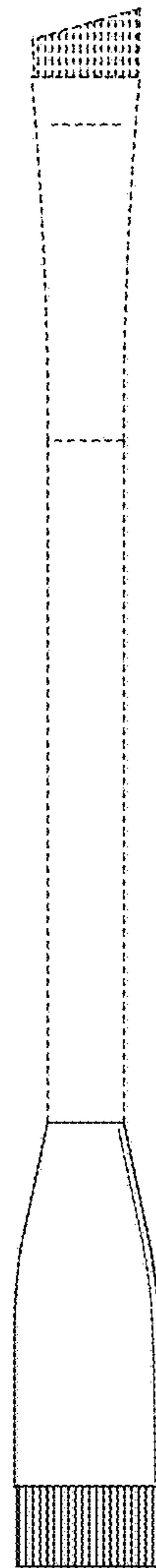


FIG. 7