



US00D869170S

(12) **United States Design Patent** (10) **Patent No.:** **US D869,170 S**
Helmbold (45) **Date of Patent:** **** Dec. 10, 2019**

(54) **ATTACHMENT FOR FACIAL CLEANING APPARATUS**

9/00; A46B 9/005; A46B 9/02; A46B 13/00; A46B 13/008; A46B 13/02; A46B 13/023

(71) Applicant: **KONINKLIJKE PHILIPS N.V.**, Eindhoven (NL)

See application file for complete search history.

(72) Inventor: **Kim Helmbold**, Eindhoven (NL)

(56) **References Cited**

(73) Assignee: **KONINKLIJKE PHILIPS N.V.**, Eindhoven (NL)

U.S. PATENT DOCUMENTS

(**) Term: **15 Years**

D368,343 S *	3/1996	Gebhard	D24/215
D649,653 S *	11/2011	Halvorsen	D24/215
D708,440 S *	7/2014	Owen	D4/102
D721,421 S *	1/2015	Hawkins	D23/223
D745,153 S *	12/2015	Dowdell	D24/108
D764,173 S *	8/2016	Nichols	D4/102
D765,982 S *	9/2016	Nichols	D4/102
D785,193 S *	4/2017	Cole	D24/200

(21) Appl. No.: **29/632,588**

(22) Filed: **Jan. 9, 2018**

* cited by examiner

Related U.S. Application Data

(62) Division of application No. 35/501,045, filed on Dec. 10, 2015 (U.S. filing date under 35 U.S.C. 384), and having an international filing date of Dec. 10, 2015, now Pat. No. Des. 811,093.

Primary Examiner — Michael A. Pratt

(30) **Foreign Application Priority Data**

Jul. 27, 2015 (EM) 002742957-0001

(51) **LOC (12) Cl.** **04-02**

(52) **U.S. Cl.**
USPC **D4/102**

(58) **Field of Classification Search**

USPC D28/58, 63; D24/146, 200, 214–215; D4/100, 102, 127, 132, 134, 136, 138
CPC .. A46B 3/00; A46B 3/005; A46B 3/22; A46B 5/0095; A46B 7/00; A46B 7/04; A46B 7/042; A46B 7/06; A46B 7/08; A46B

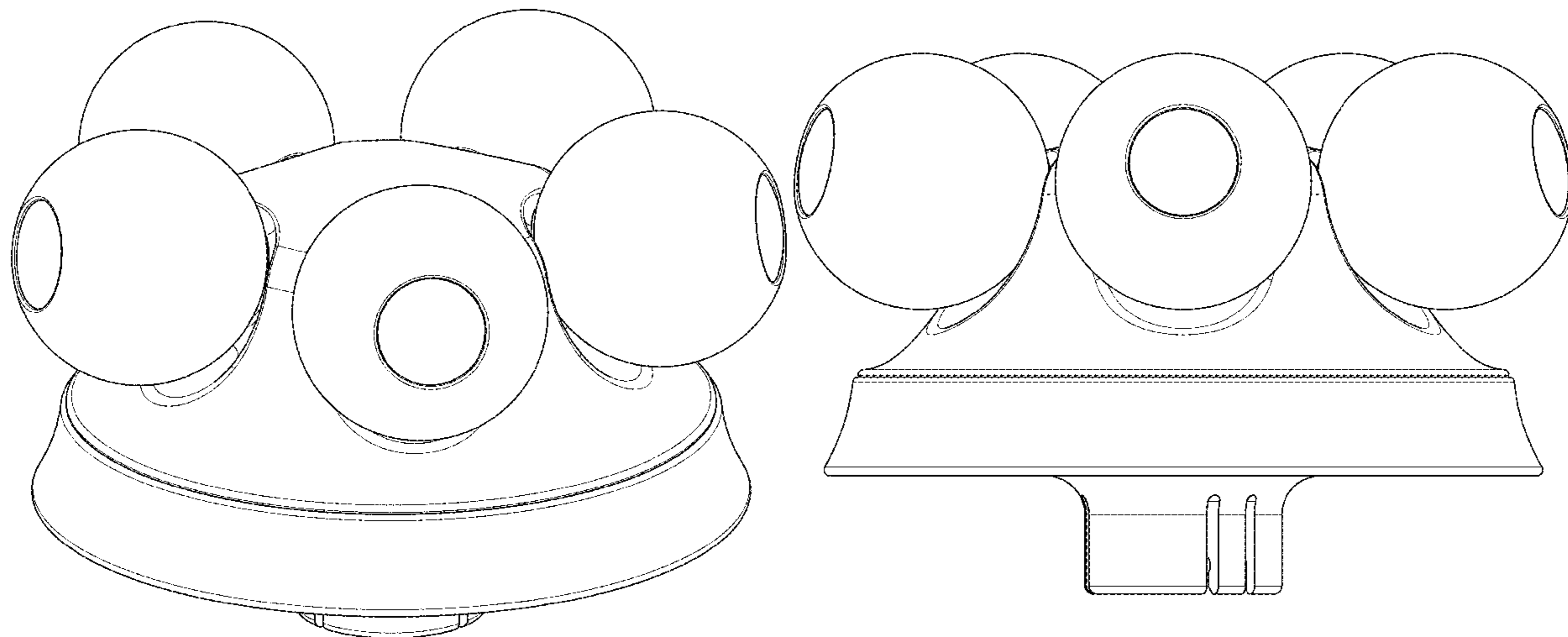
(57) **CLAIM**

The ornamental design for a attachment for facial cleaning apparatus, as shown.

DESCRIPTION

FIG. 1 is a perspective view showing my design; FIG. 2 is a front elevational view thereof; FIG. 3 is a rear elevational view thereof; FIG. 4 is a right side elevational view thereof; FIG. 5 is a left side elevational view thereof; FIG. 6 is a top plan view thereof; and, FIG. 7 is a bottom plan view thereof.

1 Claim, 7 Drawing Sheets



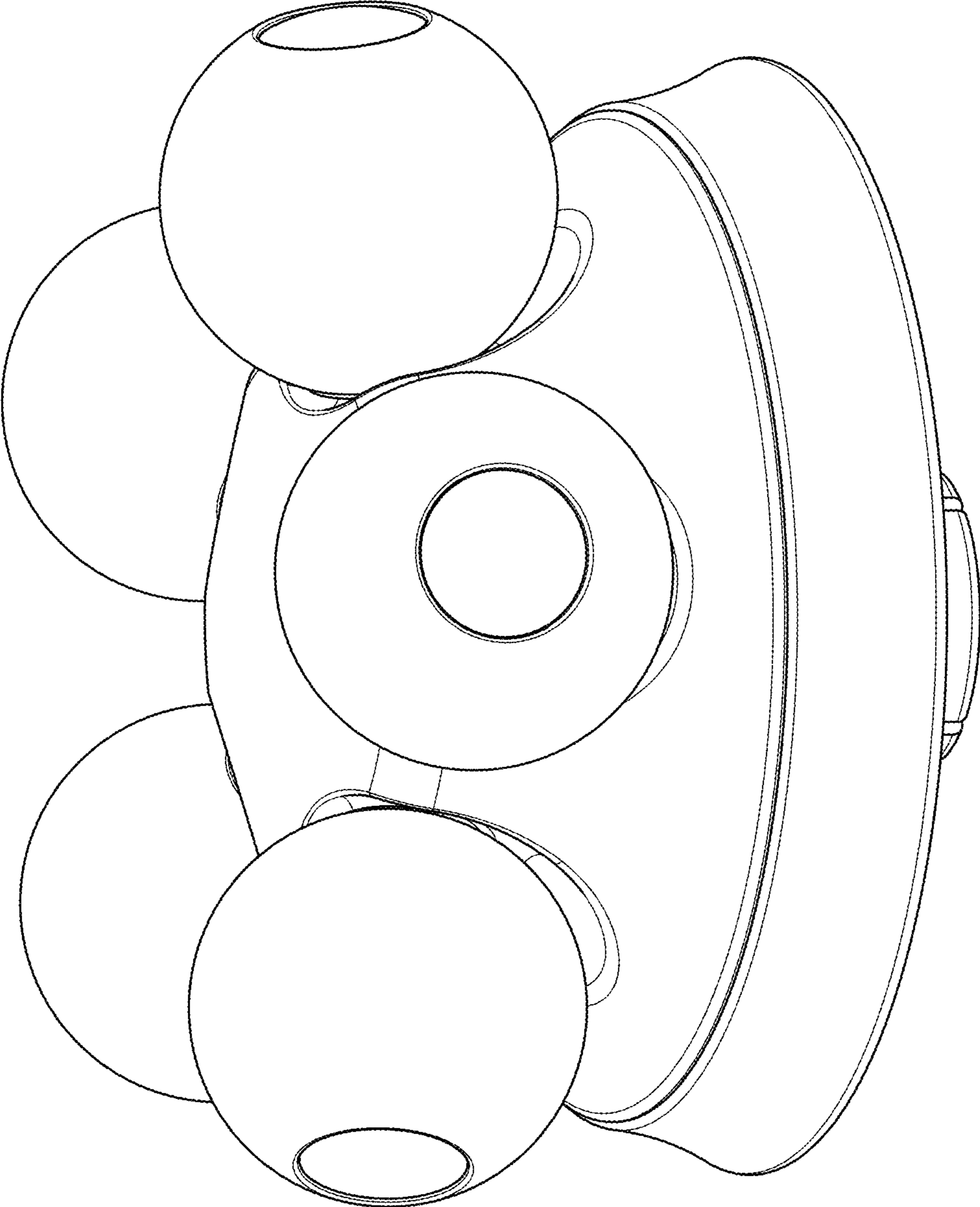


FIG. 1

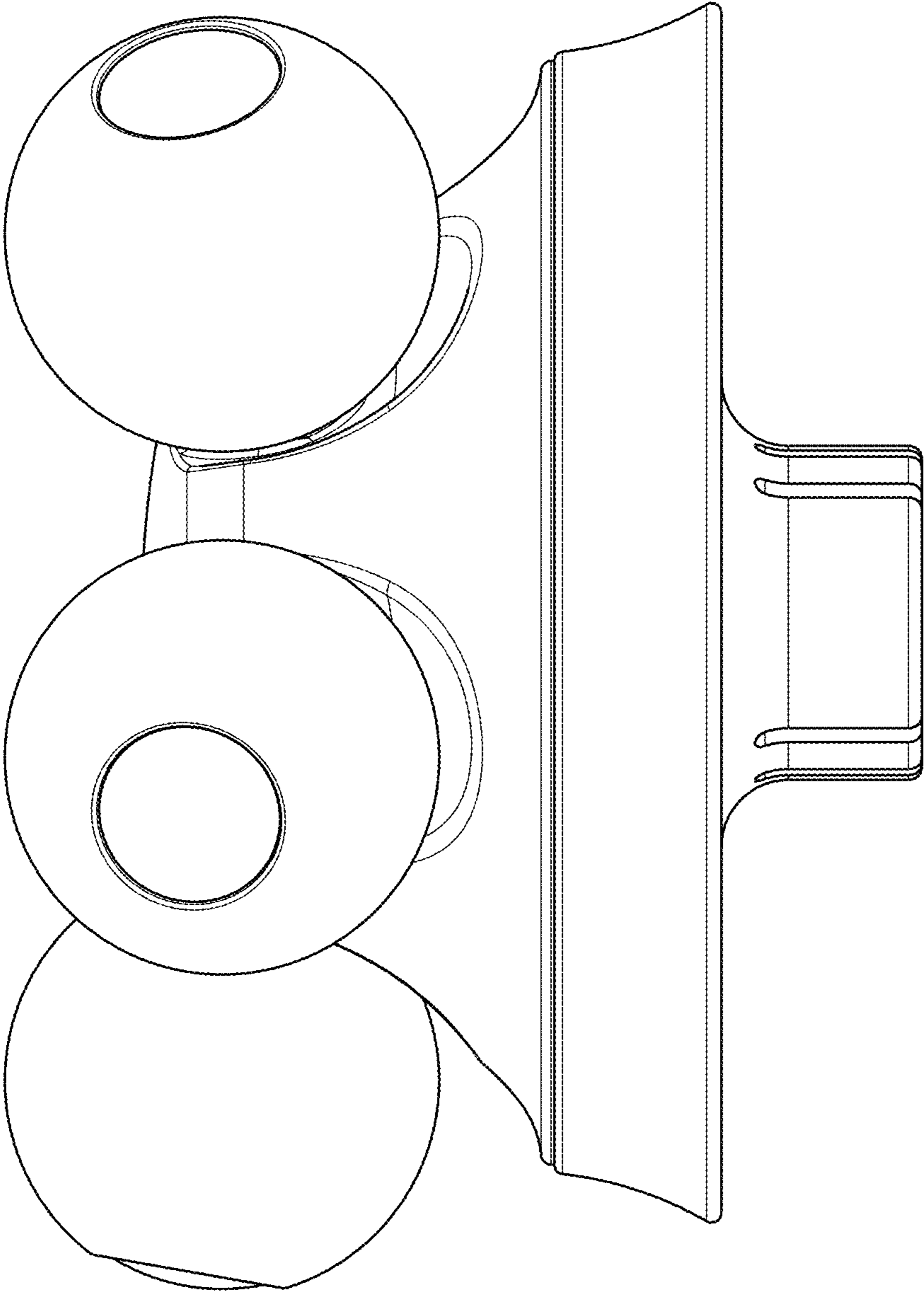


FIG. 2

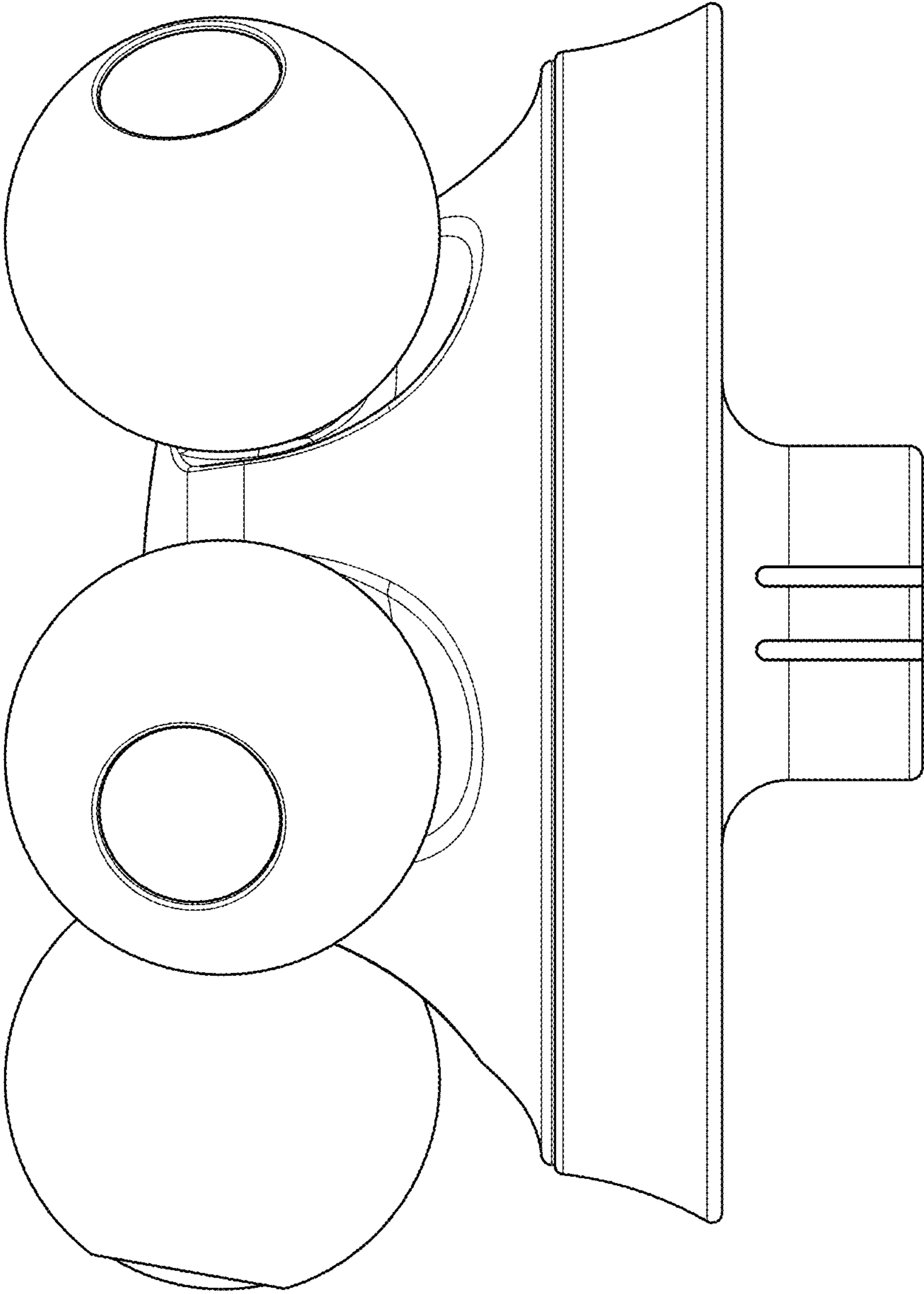


FIG. 3

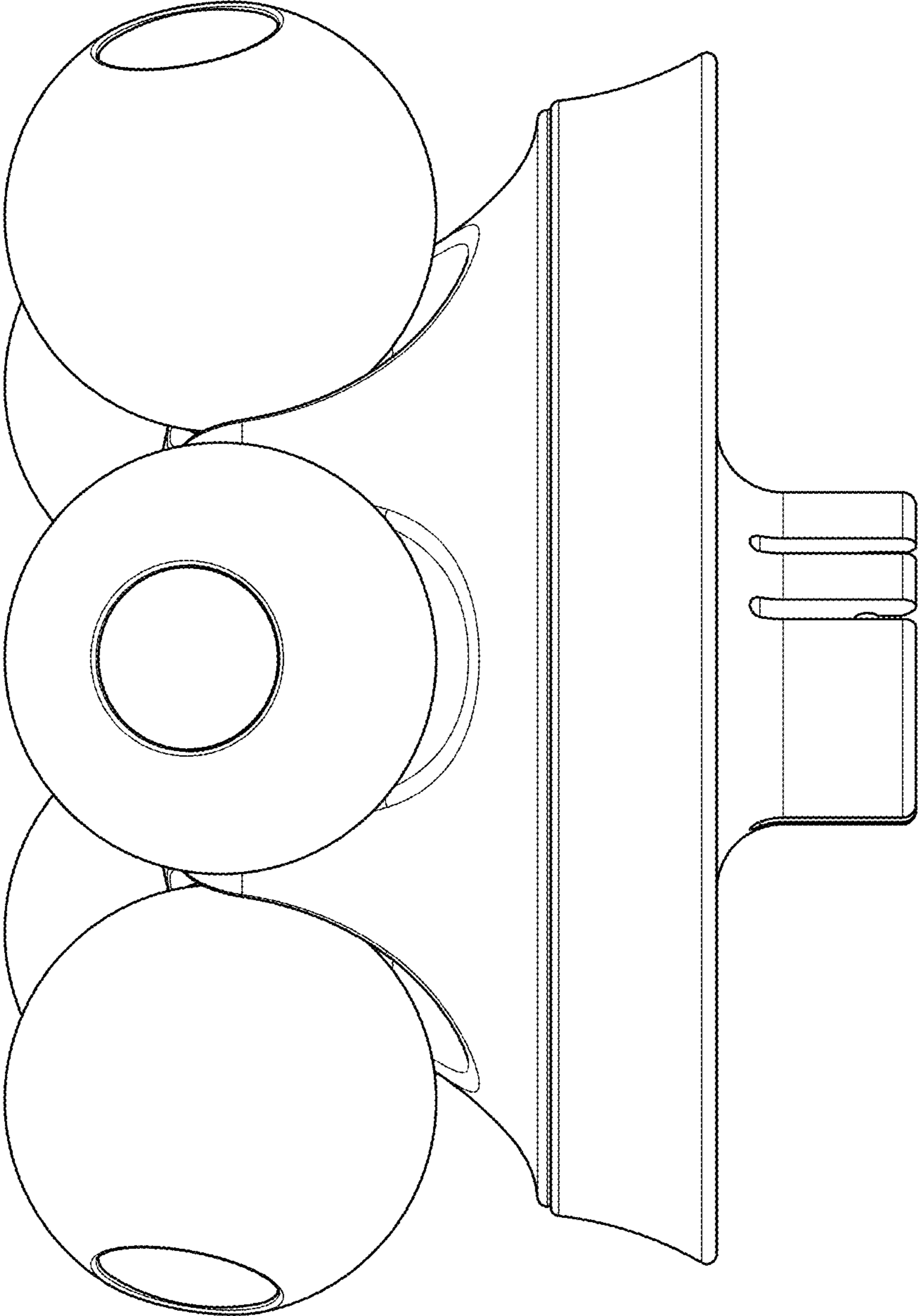


FIG. 4

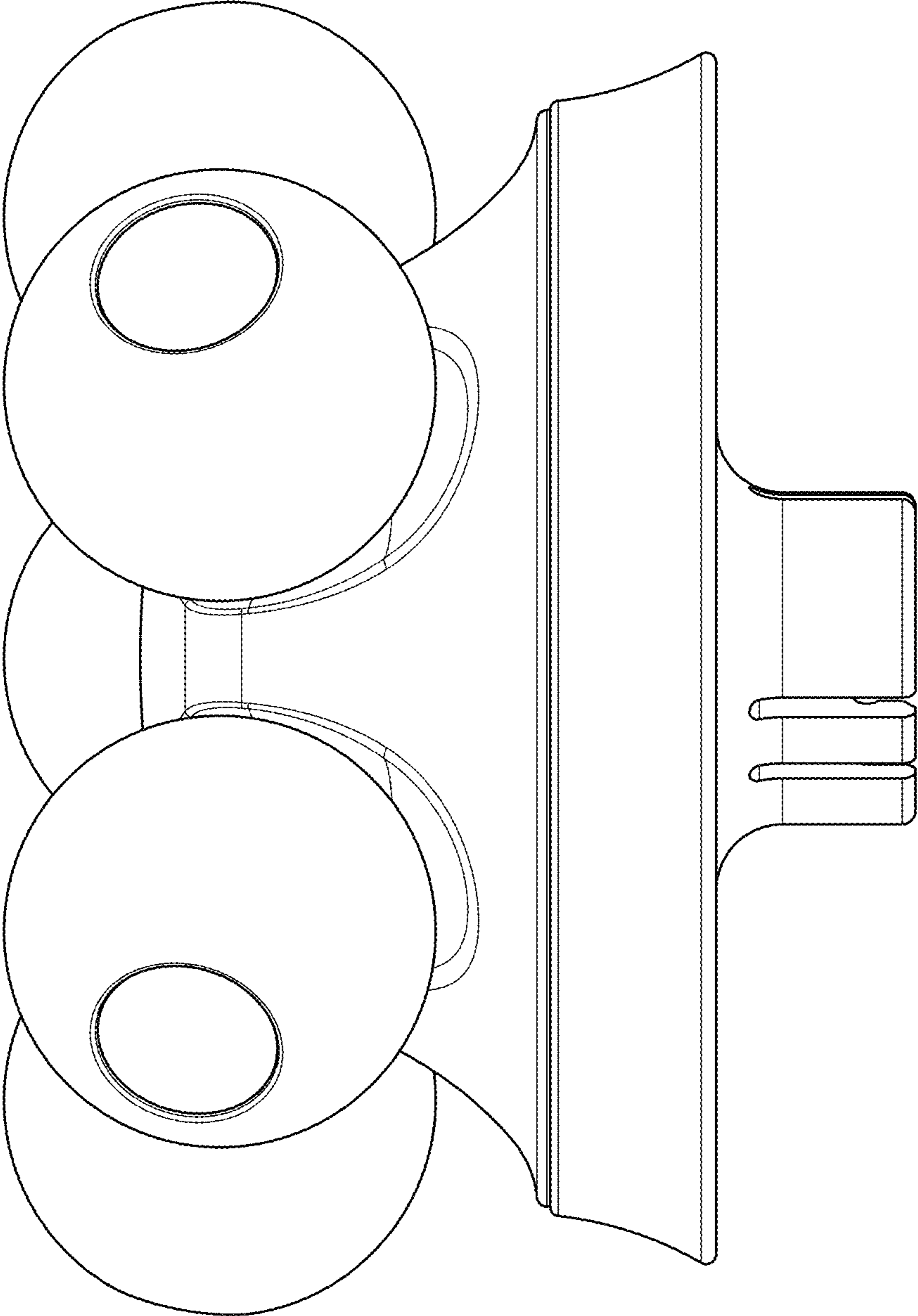


FIG. 5

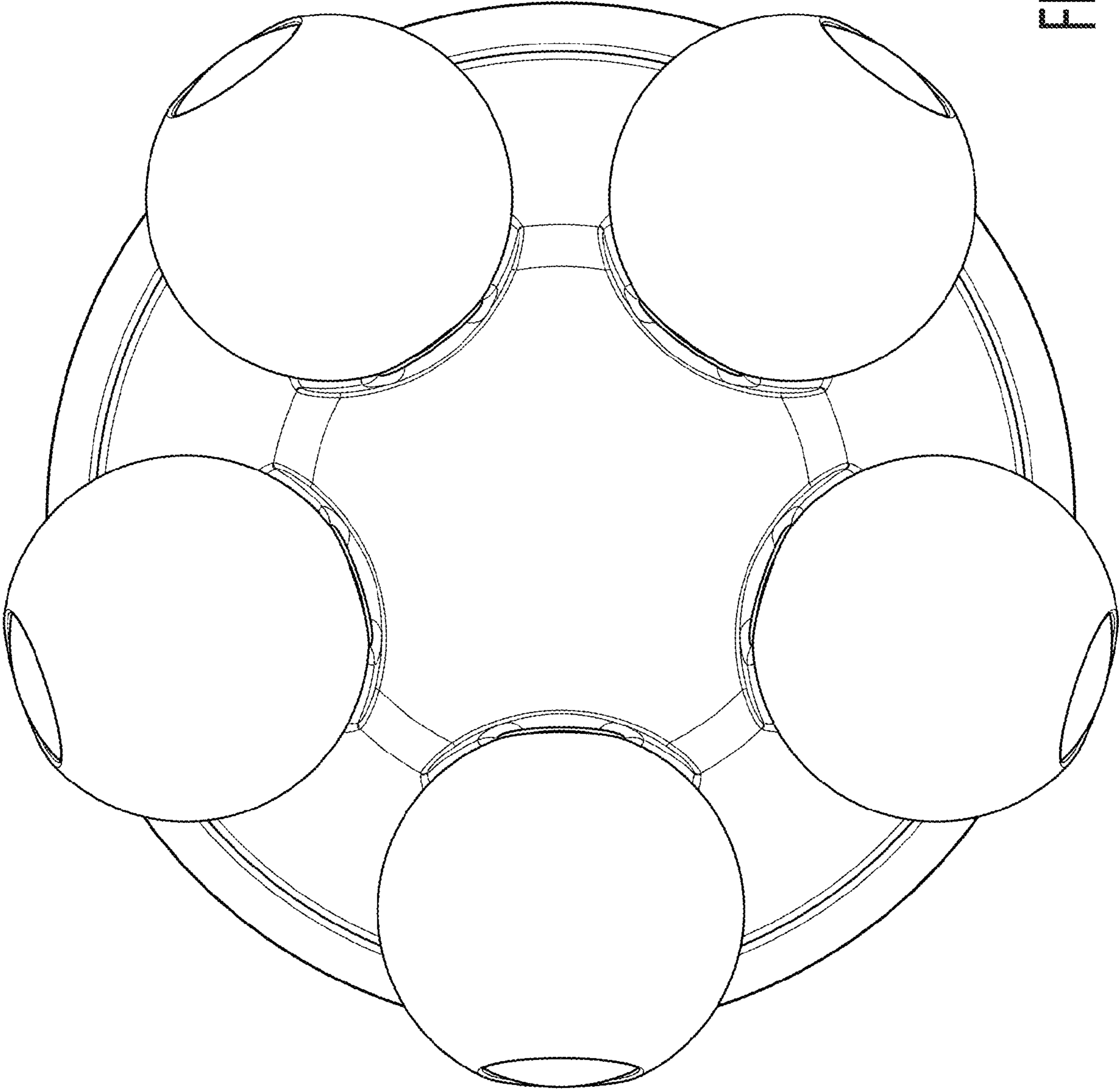


FIG. 6

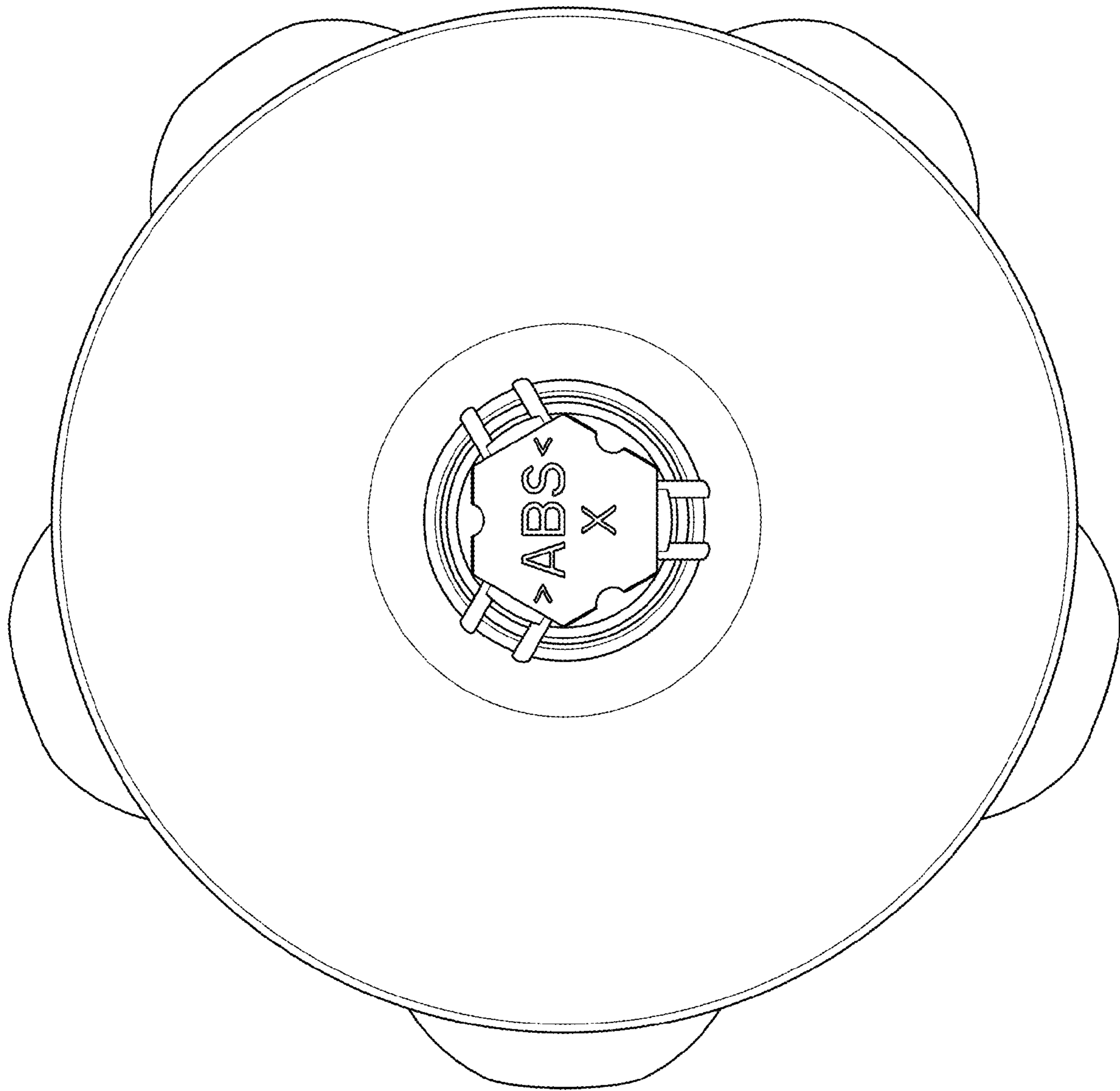


FIG. 7