



US00D869168S

(12) **United States Design Patent** (10) **Patent No.:** **US D869,168 S**
Courtney et al. (45) **Date of Patent:** **** Dec. 10, 2019**

(54) **DENTAL APPLIANCE**

(71) Applicant: **Dyson Technology Limited**, Wiltshire (GB)

(72) Inventors: **Stephen Benjamin Courtney**, Bath (GB); **Timothy Nicholas Stickney**, Gloucester (GB); **Thomas James Dunning Follows**, Swindon (GB); **William John Bex-Russell**, London (GB); **Jonathan George Marsh**, Swindon (GB); **Adam James Bates**, Oxford (GB); **Peter David Gammack**, Gloucester (GB)

(73) Assignee: **Dyson Technology Limited**, Malmesbury, Wiltshire (GB)

(**) Term: **15 Years**

(21) Appl. No.: **29/692,503**

(22) Filed: **May 24, 2019**

Related U.S. Application Data

(62) Division of application No. 29/602,379, filed on May 1, 2017, now Pat. No. Des. 854,330.

(30) **Foreign Application Priority Data**

Nov. 2, 2016 (GB) 6002226
Nov. 2, 2016 (GB) 6002231
Nov. 2, 2016 (GB) 6002236

(51) **LOC (12) Cl.** **28-03**

(52) **U.S. Cl.**
USPC **D4/101**

(58) **Field of Classification Search**
USPC D4/100, 101, 102, 104, 105, 106, 107, D4/108, 109, 110, 111, 112, 113, 114,

(Continued)

(56) **References Cited**

U.S. PATENT DOCUMENTS

1,051,815 A 1/1913 Morgan
D84,131 S 5/1931 D'Ayrenx et al.
(Continued)

FOREIGN PATENT DOCUMENTS

CN 304361403 11/2017
GB 2538299 11/2016
(Continued)

OTHER PUBLICATIONS

Courtney et al., Ex Parte Quayle Action mailed Dec. 5, 2018, directed to U.S. Appl. No. 29/602,331; 5 pages.

(Continued)

Primary Examiner — Karen E Eldridge Powers

(74) *Attorney, Agent, or Firm* — Morrison & Foerster LLP

(57) **CLAIM**

We claim the ornamental design for a dental appliance, as shown and described.

DESCRIPTION

FIG. 1 is a perspective view of a dental appliance showing our new design;

FIG. 2 is a front elevation view thereof;

FIG. 3 is a rear elevation view thereof;

FIG. 4 is a side elevation view thereof;

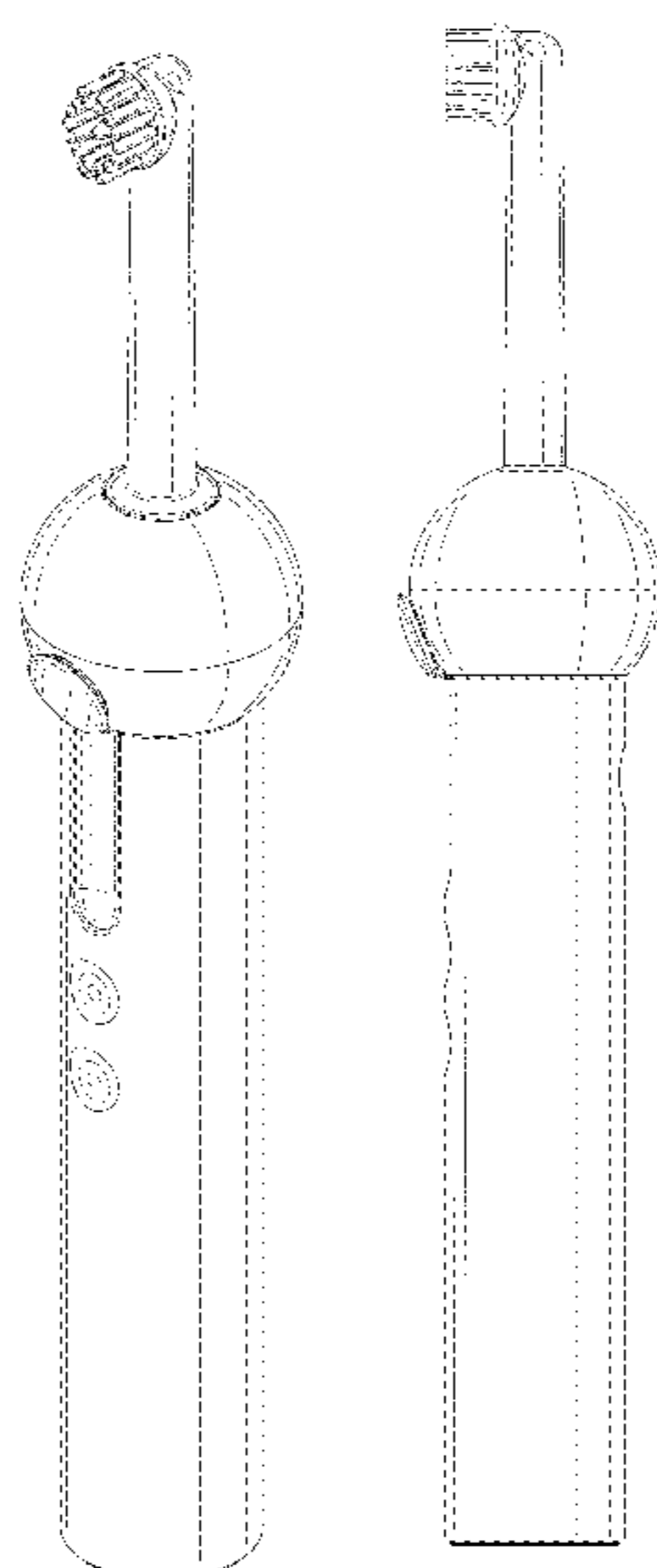
FIG. 5 is a side elevation view of the opposite side of the design as that shown in FIG. 4;

FIG. 6 is a top plan view thereof; and,

FIG. 7 is a bottom plan view thereof.

The broken lines shown in the drawings illustrate portions of a dental appliance that form no part of the claimed design.

1 Claim, 7 Drawing Sheets



US D869,168 S

(58) **Field of Classification Search**
 USPC D4/115, 116, 117, 118, 119, 120, 121,
 D4/122, 123, 124, 125, 126, 127, 128,
 D4/129, 130, 132, 133, 134, 136, 138,
 D4/199; D24/111, 127, 152, 177
 CPC A46B 11/0062; A46B 13/04; A46B
 2200/1066; A46B 11/00; A46B 13/00;
 A46B 15/0097
 See application file for complete search history.

6,332,233	B1	12/2001	Proulx
D453,996	S	3/2002	Kling et al.
D455,010	S	4/2002	Kling
D455,556	S	4/2002	Kling
D456,608	S	5/2002	Lim
D456,996	S	5/2002	McCurrach
D458,028	S	6/2002	McCurrach
D458,029	S	6/2002	Li
6,422,974	B1	7/2002	Schimmel
D462,174	S	9/2002	Schaber
6,461,164	B1	10/2002	Ramelli
D465,279	S	11/2002	Etter et al.
D468,422	S	1/2003	McCurrach
D476,156	S	6/2003	Ferber et al.
D477,716	S	7/2003	Roberson
D478,212	S	8/2003	Winkler
D478,214	S	8/2003	Winkler et al.
D478,423	S	8/2003	Mulder et al.
D483,182	S	12/2003	Blaustein et al.
D487,911	S	3/2004	Cheney
D492,717	S	7/2004	Cohen
D492,996	S	7/2004	Rehkemper et al.
6,766,549	B2	7/2004	Klupt
D497,481	S	10/2004	Porter et al.
D499,554	S	12/2004	Ramelli
D500,136	S	12/2004	Rehkemper et al.
D500,209	S	12/2004	Kellogg
D500,599	S	1/2005	Callaghan
D501,605	S	2/2005	Brown, Jr. et al.
D503,852	S	4/2005	Hensel
D504,911	S	5/2005	Ng
D508,776	S	8/2005	Kling et al.
D509,362	S	9/2005	Maeda
7,007,331	B2	3/2006	Davics et al.
D521,681	S	5/2006	Xu
D527,187	S	8/2006	Ramelli
D527,527	S	9/2006	Ramelli
D528,176	S	9/2006	Milliken
D531,240	S	10/2006	Geisendorfer
D531,811	S	11/2006	Cochran
D532,974	S	12/2006	Zhuan
D533,720	S	12/2006	Vu
D534,728	S	1/2007	Vu
D541,049	S	4/2007	Huang
D549,209	S	8/2007	Bauman et al.
D556,453	S	12/2007	Sprosta et al.
D556,455	S	12/2007	Williams
D562,488	S	2/2008	Weiser
D569,623	S	5/2008	Beedham
7,389,781	B2	6/2008	Kemp et al.
D572,007	S	7/2008	Lamason et al.
D577,199	S	9/2008	Zhuan
D579,664	S	11/2008	Fisher et al.
D579,666	S	11/2008	Jamson
D580,173	S	11/2008	Beedham
D583,052	S	12/2008	Kagawa
D586,125	S	2/2009	Winkler et al.
D588,364	S	3/2009	Nanda
D589,255	S	3/2009	Taylor et al.
7,527,446	B2	5/2009	Johnson Papa et al.
D595,366	S	6/2009	Katzke
D595,771	S	7/2009	Oas
D598,653	S	8/2009	Crossman
D598,806	S	8/2009	Rosenkötter
D599,555	S	9/2009	Oliphant
D612,611	S	3/2010	Brown, Jr. et al.
D621,455	S	8/2010	Chernick et al.
D627,971	S	11/2010	Battaglia
D634,547	S	3/2011	Botelho
D636,604	S	4/2011	Zhuan
D637,817	S	5/2011	Smith
D645,922	S	9/2011	Wu
D649,787	S	12/2011	Ivarsson
D657,954	S	4/2012	Gebski
D658,883	S	5/2012	Winkler
D669,274	S	10/2012	Meurrens
D669,978	S	10/2012	Gebski et al.
8,317,424	B2	11/2012	Chenvainu et al.
D673,225	S	12/2012	Heidrich

(56) **References Cited**
 U.S. PATENT DOCUMENTS

1,847,495	A	3/1932	Priest
1,959,601	A	5/1934	Schulze
2,036,706	A	4/1936	Law
D113,432	S	2/1939	Newman
2,318,460	A	5/1943	Brief
D153,130	S	3/1949	Fischer
2,490,185	A	12/1949	Work
D197,763	S	3/1964	Aymar
3,370,415	A	2/1968	Mellvaine
3,728,035	A	4/1973	Reitknecht
3,734,106	A	5/1973	Zimmerman
D230,654	S	3/1974	Fishbein
D258,237	S	2/1981	Anspach
4,277,194	A	7/1981	Smith
D264,359	S	5/1982	Grubb et al.
4,344,184	A	8/1982	Edwards
D276,935	S	12/1984	Fattaleh
4,761,138	A	8/1988	Niesyn
D301,400	S	6/1989	Berendsen et al.
4,949,875	A	8/1990	Kuo
D310,368	S	9/1990	Derhaag et al.
D315,831	S	4/1991	Kawano
D319,170	S	8/1991	Franke
D320,275	S	9/1991	Wada et al.
D321,285	S	11/1991	Hirabayashi
5,062,728	A	11/1991	Kuo
D323,326	S	1/1992	Takawo
D323,745	S	2/1992	Stuart
D336,567	S	6/1993	Glover et al.
5,303,109	A	4/1994	Takao
5,349,480	A	9/1994	Takao
D353,490	S	12/1994	Hartwein
D354,168	S	1/1995	Hartwein
5,379,271	A	1/1995	Moedt
D357,016	S	4/1995	Li et al.
D359,607	S	6/1995	Yun
D379,472	S	5/1997	Smith
D384,207	S	9/1997	Underwood
D385,702	S	11/1997	Okada
D387,805	S	12/1997	Hsu
D388,958	S	1/1998	Hartwein
D393,016	S	3/1998	Young
D396,957	S	8/1998	Allende
5,815,872	A	10/1998	Meginniss, III et al.
D401,270	S	11/1998	Cockram
D403,864	S	1/1999	Holland et al.
D411,483	S	6/1999	Greene, Jr.
D411,769	S	7/1999	Wright
D413,729	S	9/1999	Jansheski, Jr.
D417,082	S	11/1999	Classen et al.
D419,305	S	1/2000	Porter et al.
6,047,429	A	4/2000	Wu
D423,784	S	5/2000	Joulin
D428,704	S	8/2000	Wildman
D433,232	S	11/2000	Stützer et al.
D433,813	S	11/2000	Stützer et al.
D433,814	S	11/2000	Blaustein et al.
D436,254	S	1/2001	Kling et al.
D440,766	S	4/2001	Hartwein et al.
6,220,772	B1	4/2001	Taylor
D445,831	S	7/2001	Lindner
D446,022	S	8/2001	Vonarburg et al.
D451,244	S	11/2001	Chen et al.

(56)

References Cited

U.S. PATENT DOCUMENTS

8,434,190 B2 5/2013 Stief et al.
 8,444,416 B2 5/2013 Chenvainu et al.
 D688,464 S 8/2013 Hara
 D688,877 S 9/2013 Li
 D689,125 S 9/2013 Lochen
 D689,698 S 9/2013 Dickie et al.
 D690,369 S 9/2013 Wu
 D693,581 S 11/2013 Ballmaier et al.
 D694,524 S 12/2013 Erskine-Smith
 D696,024 S 12/2013 Shigeno et al.
 D696,517 S 12/2013 Gebski
 D701,388 S 3/2014 Chuanzhou
 D702,946 S 4/2014 Shigeno et al.
 D704,337 S 5/2014 Dunn
 D706,033 S 6/2014 Dickie et al.
 D707,764 S 6/2014 Deveaux
 D708,440 S 7/2014 Owen et al.
 D711,988 S 8/2014 Gubany
 D712,988 S 9/2014 Sagedahl
 D713,391 S 9/2014 Ibuki et al.
 D718,056 S 11/2014 Masee et al.
 D718,057 S 11/2014 Masee et al.
 D719,737 S 12/2014 Adriaenssen et al.
 D724,679 S 3/2015 Martyn
 D727,445 S 4/2015 Viramontez
 9,039,642 B2 5/2015 Lee
 D735,280 S 7/2015 O'Malley
 D736,870 S 8/2015 Nagi
 D738,968 S 9/2015 Oz
 D741,423 S 10/2015 Holland
 9,154,025 B2 10/2015 Schaefer et al.
 D742,649 S 11/2015 Thompson
 D749,851 S 2/2016 Watkins
 D749,852 S 2/2016 Since
 9,265,334 B1 2/2016 Fung-A-Wing
 D751,821 S 3/2016 Since
 D752,868 S 4/2016 McGarry et al.
 D757,439 S 5/2016 Shigeno et al.
 D758,079 S 6/2016 Since
 D758,080 S 6/2016 Since
 D758,736 S 6/2016 Shigeno et al.
 D759,381 S * 6/2016 Watkins D4/101
 D759,382 S 6/2016 Watkins
 D761,567 S 7/2016 Uchida
 D766,580 S 9/2016 Kollar et al.
 D766,581 S 9/2016 Bloch et al.
 D767,895 S 10/2016 Stebila et al.
 D768,386 S 10/2016 Demarest et al.
 D773,192 S 12/2016 Nabavi
 D773,822 S 12/2016 Sikora et al.
 D774,144 S 12/2016 Fjelstad
 D775,288 S 12/2016 Spiegler
 D777,442 S 1/2017 White et al.
 D780,456 S 3/2017 Shigeno et al.
 D787,189 S 5/2017 Fretwell et al.
 9,668,598 B2 6/2017 Wartersian et al.
 D790,859 S 7/2017 McGarry et al.
 D790,861 S 7/2017 Demarest et al.
 D791,485 S 7/2017 McGarry et al.
 9,700,129 B2 7/2017 Follows et al.
 D795,419 S 8/2017 Kohler
 9,743,749 B2 8/2017 Follows et al.
 D798,060 S 9/2017 Shigeno et al.
 D799,217 S 10/2017 Masee
 D799,756 S 10/2017 Fox
 D801,696 S 11/2017 McGarry et al.
 9,814,302 B2 11/2017 Follows et al.
 9,820,563 B2 11/2017 Follows et al.
 D804,918 S 12/2017 Lipford
 D806,228 S 12/2017 Yan
 9,839,284 B2 12/2017 Follows et al.
 D810,513 S 2/2018 Mccoy et al.
 D814,195 S 4/2018 Sikora et al.
 D819,337 S * 6/2018 Yuan D4/101
 10,022,208 B2 7/2018 Yoshida et al.

D836,345 S 12/2018 Courtney et al.
 D836,346 S 12/2018 Courtney et al.
 D838,991 S * 1/2019 Choi D4/101
 D839,597 S 2/2019 Courtney et al.
 D839,598 S 2/2019 Courtney et al.
 D839,599 S 2/2019 Courtney et al.
 D847,512 S * 5/2019 Goldberg D4/101
 D848,746 S * 5/2019 Courtney D4/101
 D848,747 S * 5/2019 Courtney D4/101
 D854,328 S * 7/2019 Courtney D4/101
 D854,329 S * 7/2019 Courtney D4/101
 D854,330 S * 7/2019 Courtney D4/101
 D857,396 S * 8/2019 Nguyen D4/101
 2001/0034917 A1 11/2001 DuCey
 2004/0187889 A1 9/2004 Kemp et al.
 2006/0078844 A1 4/2006 Goldman et al.
 2006/0133885 A1 6/2006 Kaminski
 2009/0007357 A1 1/2009 Meadows et al.
 2012/0272468 A1 11/2012 Weisman et al.
 2013/0007969 A1 1/2013 Driesen et al.
 2013/0091645 A1 4/2013 Suwanbutr
 2014/0246049 A1 9/2014 Ikkink et al.
 2014/0259474 A1 9/2014 Sokol et al.
 2015/0150664 A1 6/2015 Crossman et al.
 2015/0230898 A1 8/2015 Miller
 2015/0310763 A1 10/2015 Miller et al.
 2016/0015163 A1 1/2016 Newman et al.
 2016/0157596 A1 6/2016 Fifield
 2016/0331113 A1 11/2016 Follows et al.
 2016/0331114 A1 11/2016 Follows et al.
 2016/0331115 A1 11/2016 Follows et al.
 2016/0331116 A1 11/2016 Follows et al.
 2016/0331117 A1 11/2016 Follows et al.
 2016/0331497 A1 11/2016 Follows et al.
 2016/0331498 A1 11/2016 Follows et al.
 2017/0119510 A1 5/2017 Tomori et al.
 2018/0021116 A1 1/2018 Störkel et al.
 2018/0055212 A1 3/2018 Follows et al.
 2018/0055616 A1 3/2018 Zheng et al.
 2018/0084898 A1 3/2018 Vincent et al.
 2018/0085207 A1 3/2018 Tweedie et al.
 2018/0110321 A1 4/2018 Harris et al.
 2018/0110322 A1 4/2018 Marsh et al.
 2018/0110601 A1 4/2018 Mighall et al.
 2018/0116390 A1 5/2018 Tweedie et al.
 2018/0116774 A1 5/2018 Coleman et al.
 2018/0125221 A1 5/2018 Wronski et al.
 2018/0125621 A1 5/2018 Tweedie et al.
 2018/0125624 A1 5/2018 Tweedie et al.
 2018/0168332 A1 6/2018 Wagner et al.
 2018/0221124 A1 8/2018 Carlyle et al.
 2018/0289456 A1 10/2018 Follows et al.
 2018/0289458 A1 10/2018 Follows et al.
 2018/0333240 A1 11/2018 Taniguchi

FOREIGN PATENT DOCUMENTS

GB 2538308 11/2016
 GB 2538309 11/2016
 GB 2554401 4/2018
 GB 2555386 5/2018
 GB 2555417 5/2018
 GB 2555418 5/2018
 GB 2555449 5/2018
 JP 1595649 4/2017
 JP 1595568 1/2018
 WO 2005/076818 8/2005
 WO 2018/142099 8/2018

OTHER PUBLICATIONS

Courtney et al., Ex Parte Quayle Action mailed Oct. 18, 2018, directed to U.S. Appl. No. 29/602,369; 6 pages.
 Courtney et al., U.S. Office Action, dated Apr. 19, 2018, directed to U.S. Appl. No. 29/602,351; 14 pages.
 Courtney et al., U.S. Office Action, dated Apr. 19, 2018, directed to U.S. Appl. No. 29/602,366; 14 pages.

(56)

References Cited

OTHER PUBLICATIONS

Courtney et al., U.S. Office Action, dated May 18, 2018, directed to U.S. Appl. No. 29/602,357; 11 pages.

Courtney et al., U.S. Office Action, dated May 25, 2018, directed to U.S. Appl. No. 29/602,422; 15 pages.

Courtney et al., U.S. Office Action, dated Oct. 18, 2018, directed to U.S. Appl. No. 29/602,375; 9 pages.

Courtney et al., U.S. Office Action, dated Oct. 18, 2018, directed to U.S. Appl. No. 29/602,377; 9 pages.

Courtney et al., U.S. Office Action, dated Oct. 18, 2018, directed to U.S. Appl. No. 29/602,379; 9 pages.

Courtney et al., U.S. Office Action, dated Oct. 18, 2018, directed to U.S. Appl. No. 29/602,445; 9 pages.

Courtney et al., U.S. Office Action, dated Sep. 7, 2018, directed to U.S. Appl. No. 29/602,368; 9 pages.

Love, John. (Nov. 27, 2016) "Dyson is designing an electric toothbrush," located at <http://www.electriceeth.co.uk/dyson-is-designing-an-electric-toothbrush/> (18 pages).

Pettit, H. (Nov. 24, 2016). "Dyson's next device could be a smart Toothbrush that flosses your teeth with high-powered jets of water," located at <http://www.dailymail.co.uk/sciencetech/article-968756/Dyson-s-invention-smart-TOOTHBRUSH-flosses-teeth-water-clean-them.html> (5 pages).

* cited by examiner

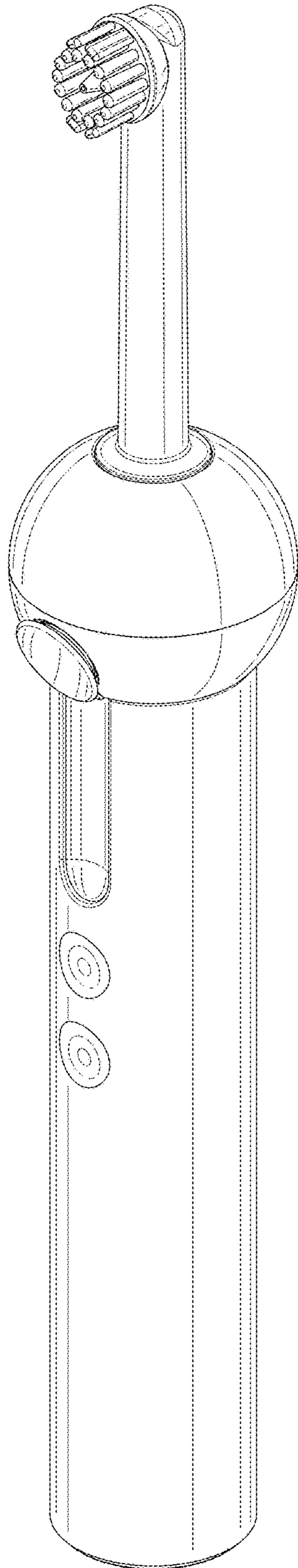


FIG. 1

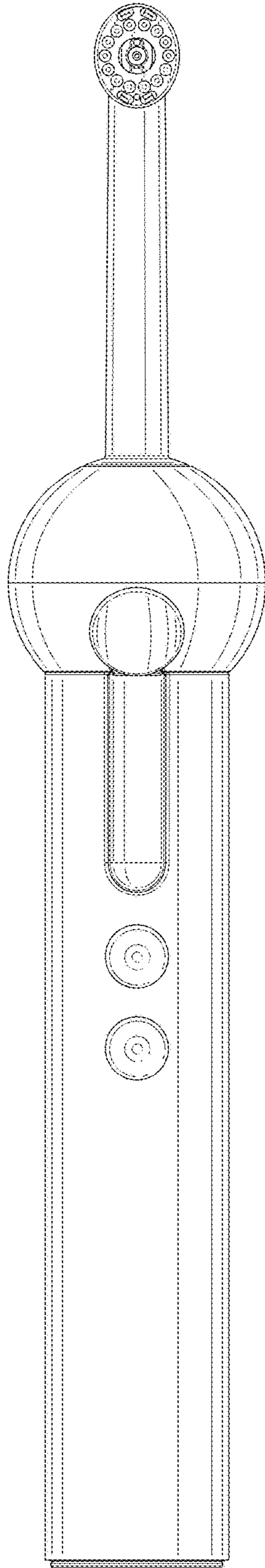


FIG. 2

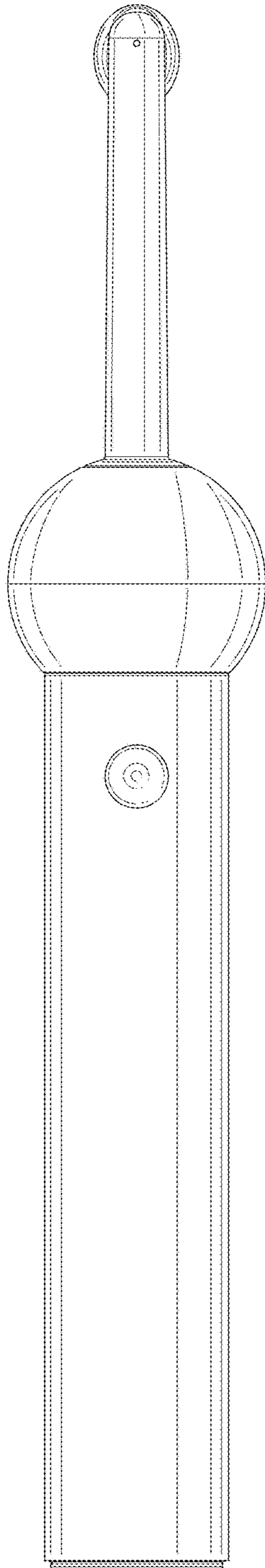


FIG. 3

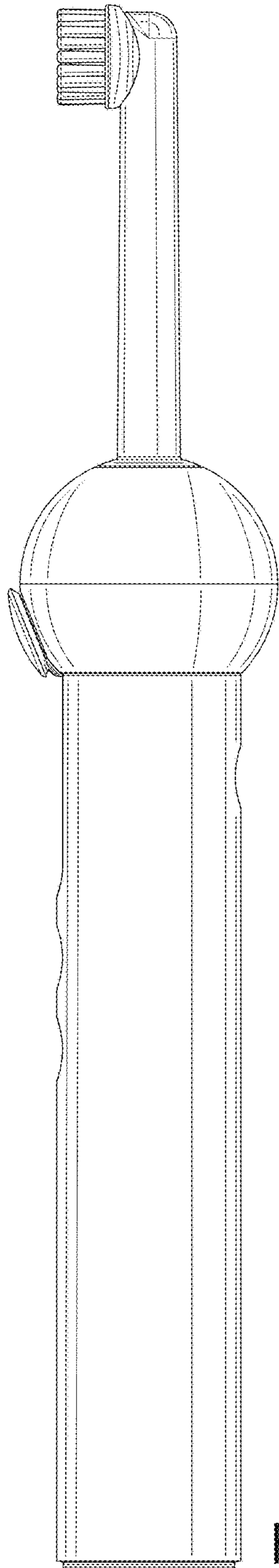


FIG. 4

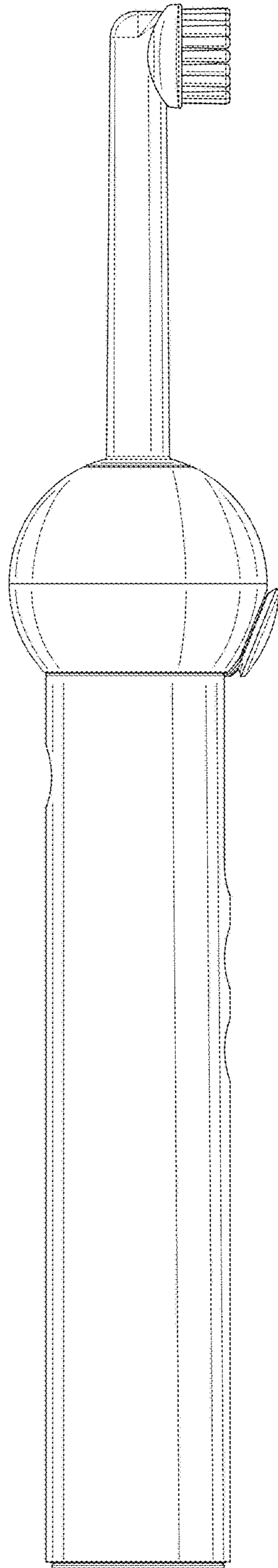


FIG. 5

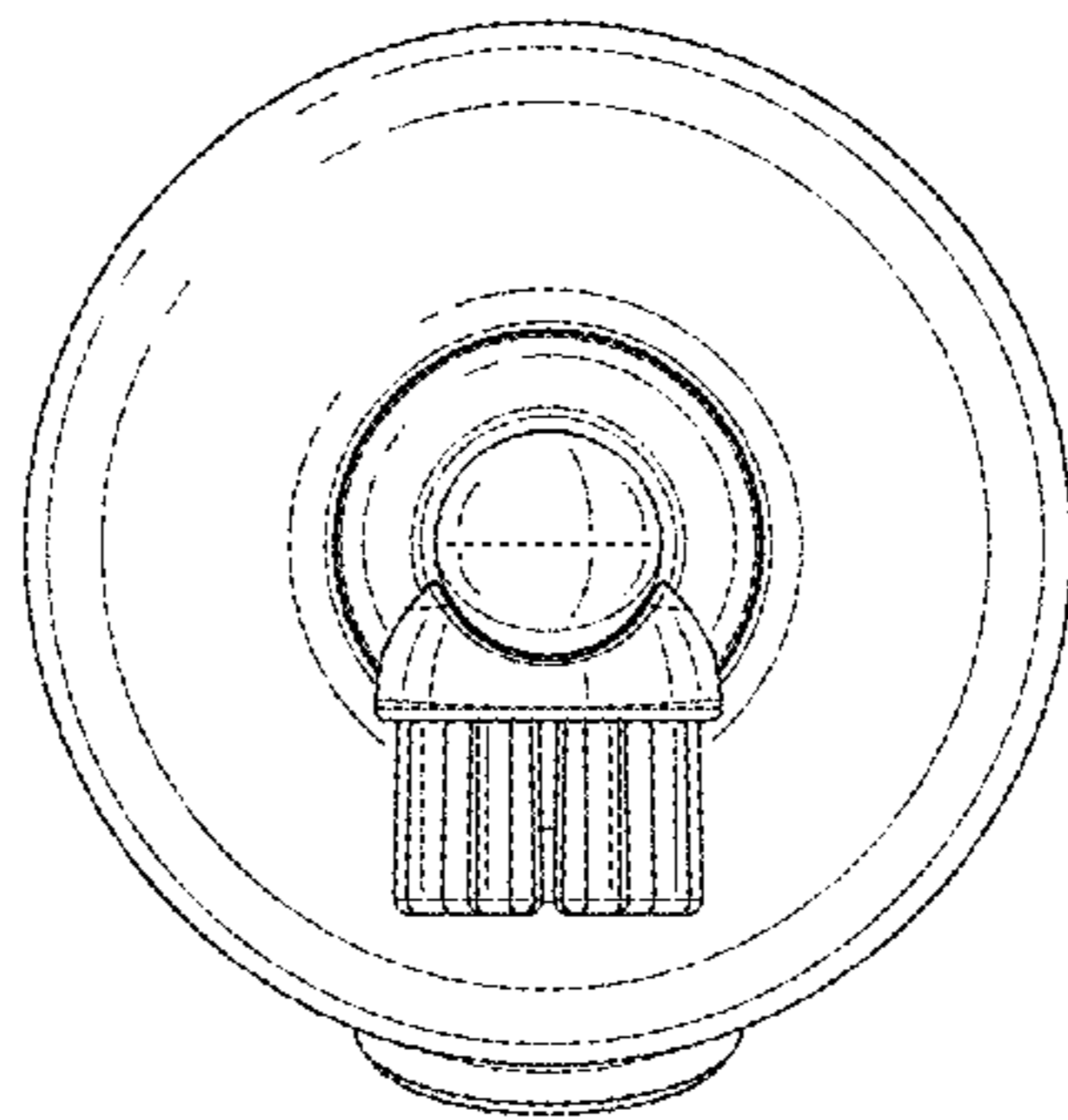


FIG. 6

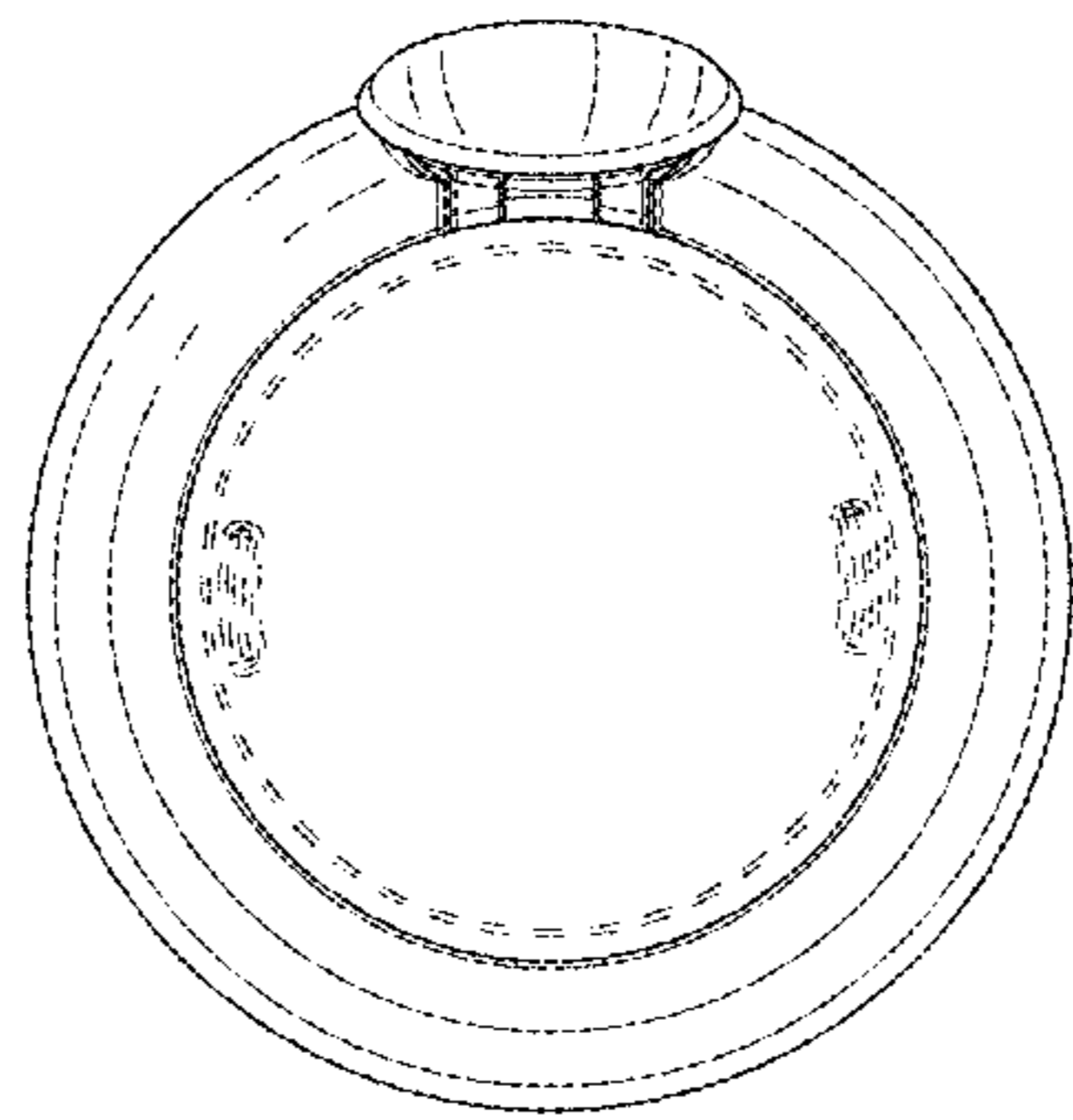


FIG. 7