

US00D869167S

(12) **United States Design Patent** (10) **Patent No.:** **US D869,167 S**  
**Tschopp** (45) **Date of Patent:** **\*\* Dec. 10, 2019**

(54) **BRUSH**  
(71) Applicant: **Black & Decker Inc.**, New Britain, CT (US)  
(72) Inventor: **Tylan A. Tschopp**, Baltimore, MD (US)  
(73) Assignee: **BLACK & DECKER INC.**, New Britain, CT (US)  
(\*\*) Term: **15 Years**  
(21) Appl. No.: **29/625,901**  
(22) Filed: **Nov. 14, 2017**  
(51) **LOC (12) Cl.** ..... **04-01**  
(52) **U.S. Cl.**  
USPC ..... **D4/100; D4/138**  
(58) **Field of Classification Search**  
USPC ..... D4/100, 101, 102, 114, 115, 116, 117, D4/118, 121, 122, 123, 127, 128, 130, D4/131, 132, 133, 134, 135, 136, 137, D4/138, 199, 119; D23/223; D24/214, D24/215; D28/7, 35, 63, 58; D30/158; D32/17, 19, 24, 40, 44, 45, 51, 52, 25, D32/33, 35, 41, 42  
CPC .... A46B 5/00; A46B 5/02; A46B 7/06; A46B 7/08; A46B 7/10; A46B 9/00; A46B 9/02; A46B 9/023; A46B 9/028; A46B 11/002; A46B 11/06; A46B 11/063; A46B 13/00; A46B 13/001; A46B 13/005; A46B 13/02; A46B 2200/00; A46B 2200/10; A46B 2200/1006; A46B 2200/1013; A46B 2200/102; A46B 2200/104; A46B 2200/1093; A46B 2200/30; A46B 2200/3033; A46B 2200/304; A46B 2200/306; A46B 2200/3086; A46B 2200/40; A46B 5/0033; A46B 7/23; A46B

11/00; A46B 11/0006; A46B 11/0013; A46B 13/008; A46B 2200/20; A61H 7/002

See application file for complete search history.

(56) **References Cited**

U.S. PATENT DOCUMENTS

D290,551 S \* 6/1987 Huen ..... D4/102  
7,040,830 B2 \* 5/2006 Kliegman ..... A46B 11/0013  
401/187  
7,631,386 B1 \* 12/2009 Santiago ..... A46B 9/02  
15/22.1  
D779,753 S \* 2/2017 Mikula ..... D32/32  
D828,969 S \* 9/2018 Brady ..... D32/40

FOREIGN PATENT DOCUMENTS

CN 304616313 \* 5/2018  
KR 300942496.0000 \* 2/2018  
KR 3020180000875 \* 7/2018

\* cited by examiner

*Primary Examiner* — Karen E Eldridge Powers  
(74) *Attorney, Agent, or Firm* — Adan Ayala

(57) **CLAIM**

The ornamental design for a brush, as shown and described.

**DESCRIPTION**

FIG. 1 is a front perspective view of a brush according to the invention.

FIG. 2 is a front elevation view of the brush of FIG. 1.

FIG. 3 is a rear elevation view of the brush of FIG. 1.

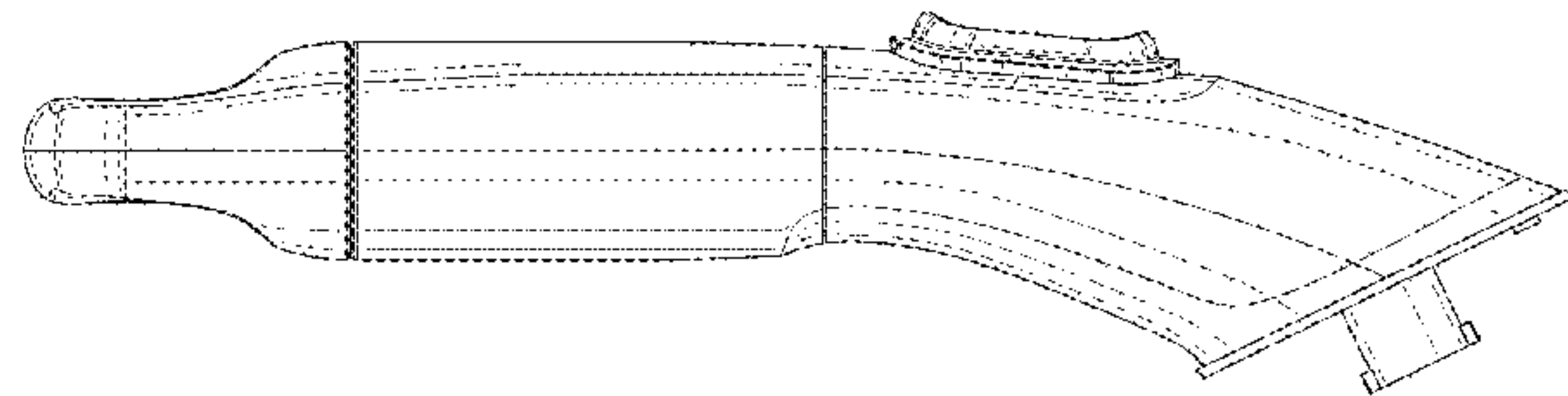
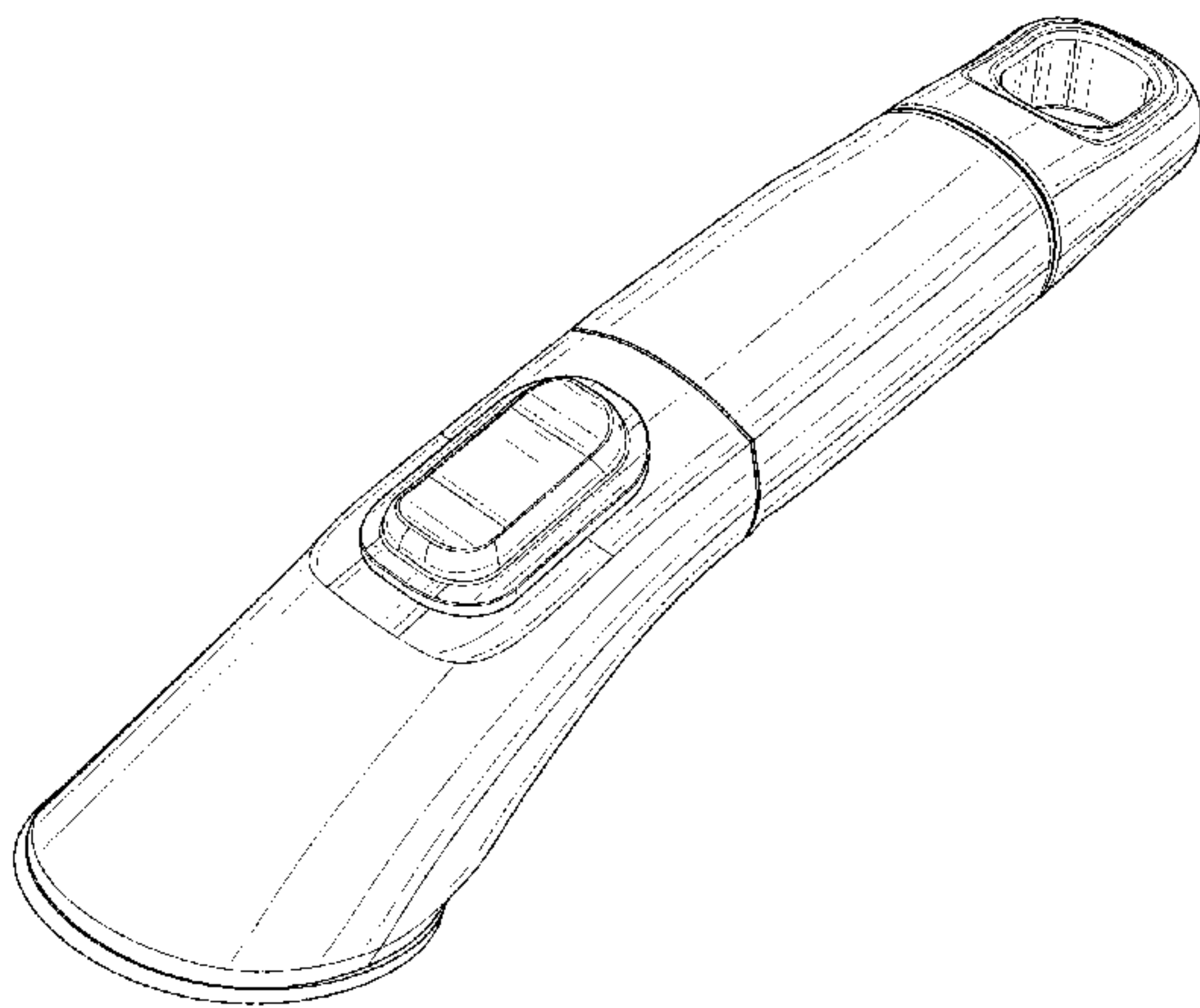
FIG. 4 is a left side elevation view of the brush of FIG. 1.

FIG. 5 is a right side elevation view of the brush of FIG. 1.

FIG. 6 is a top plan view of the brush of FIG. 1; and,

FIG. 7 is a bottom plan view of the brush of FIG. 1.

**1 Claim, 7 Drawing Sheets**



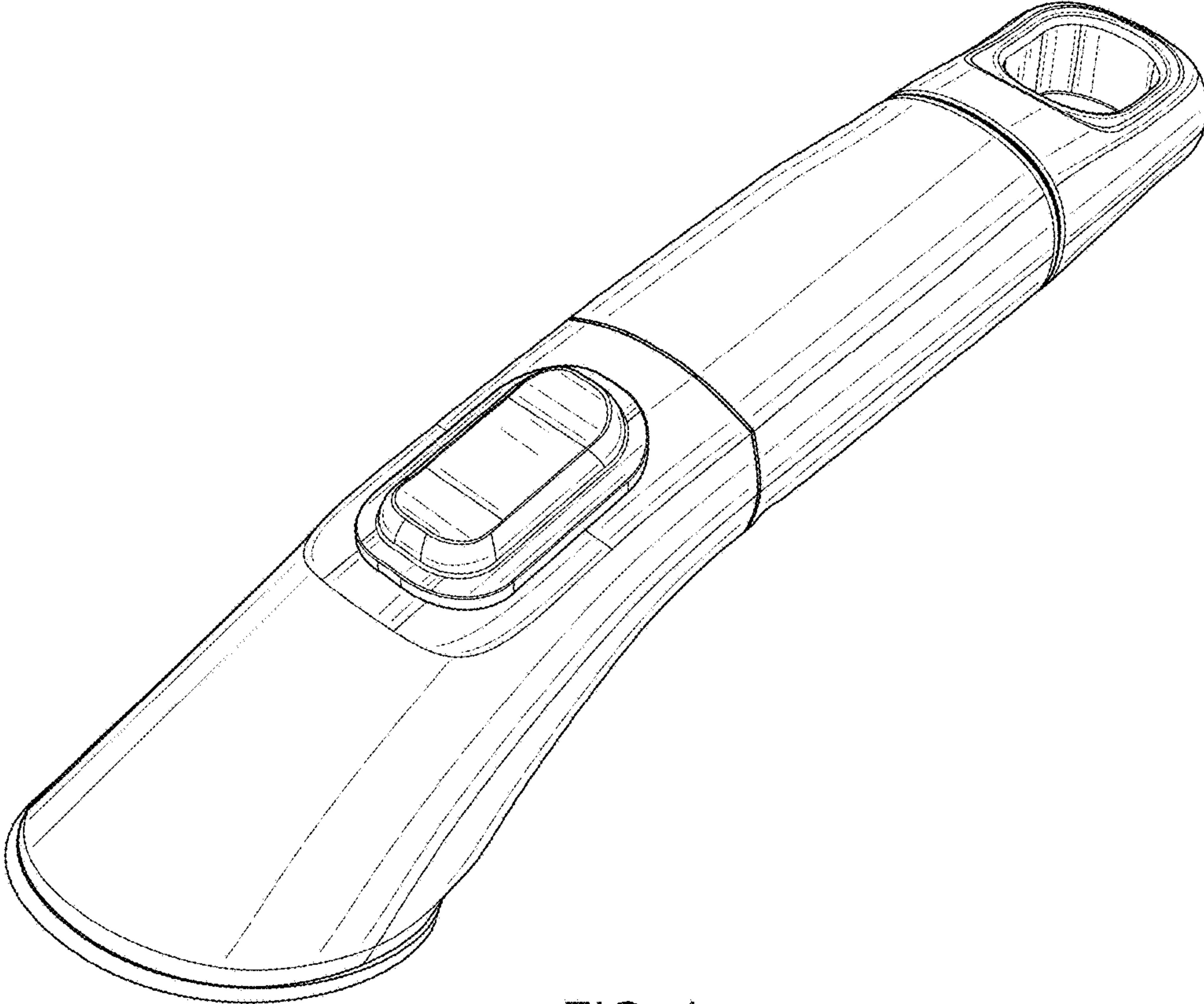


FIG. 1

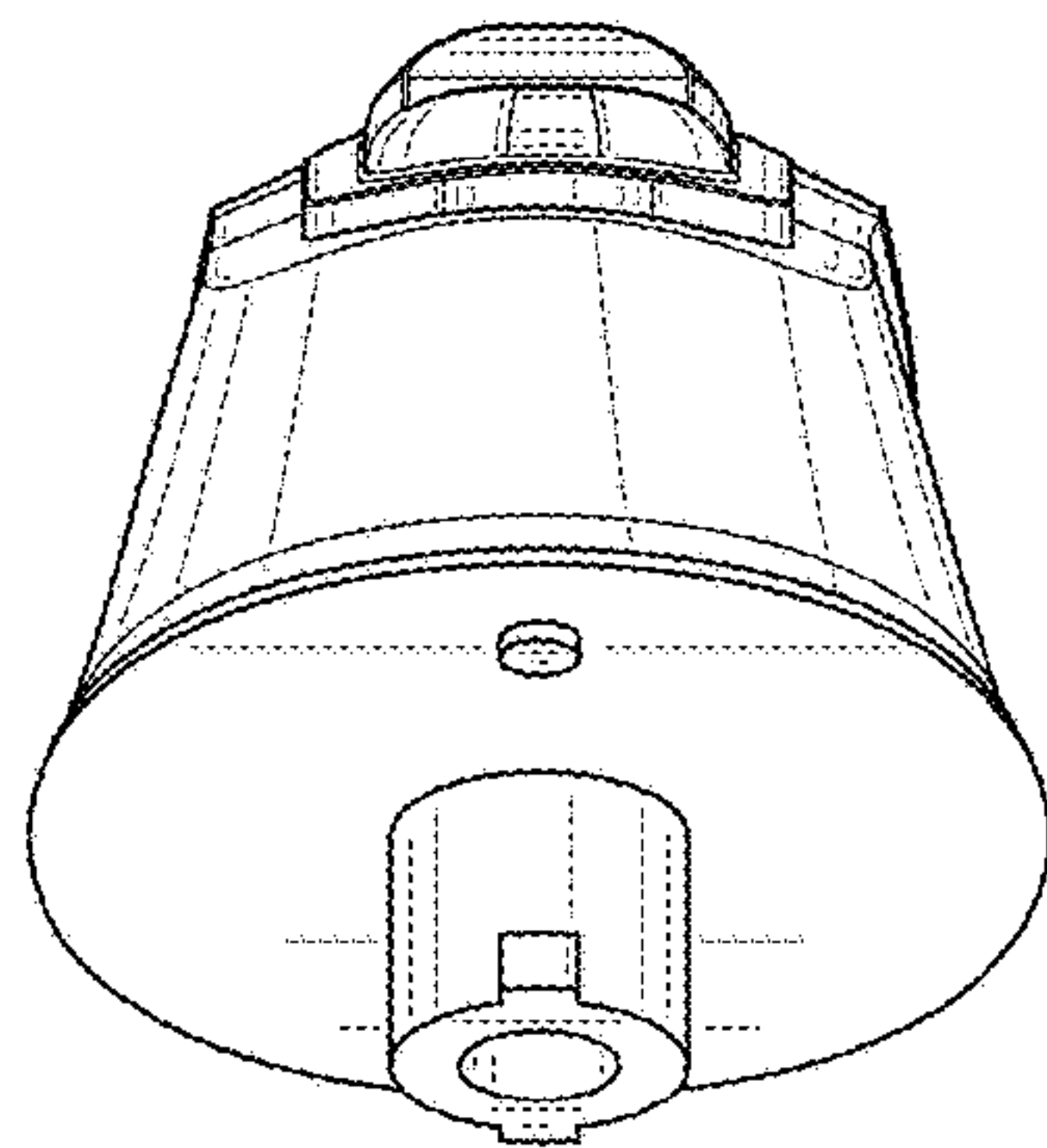


FIG. 2

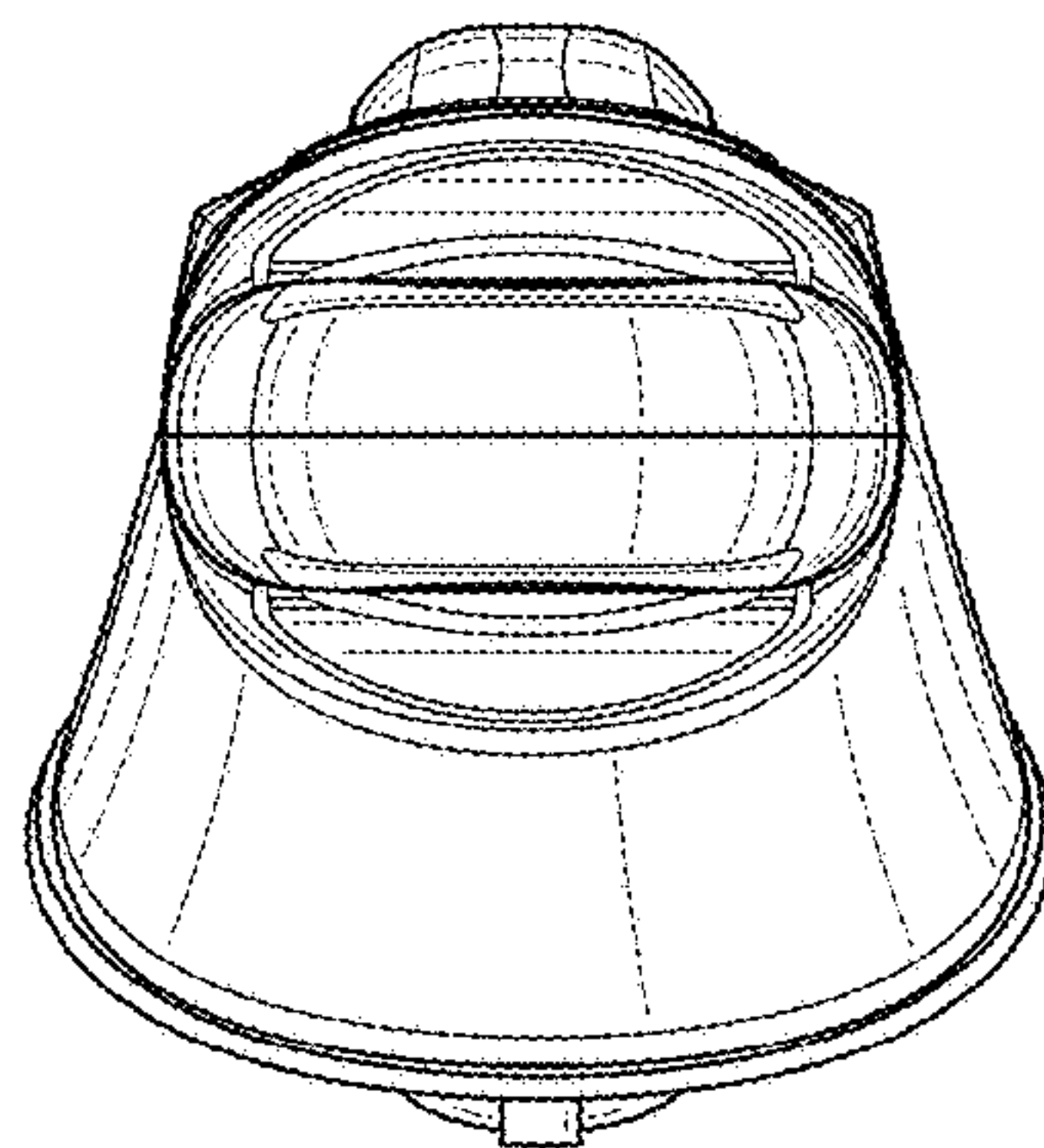


FIG. 3

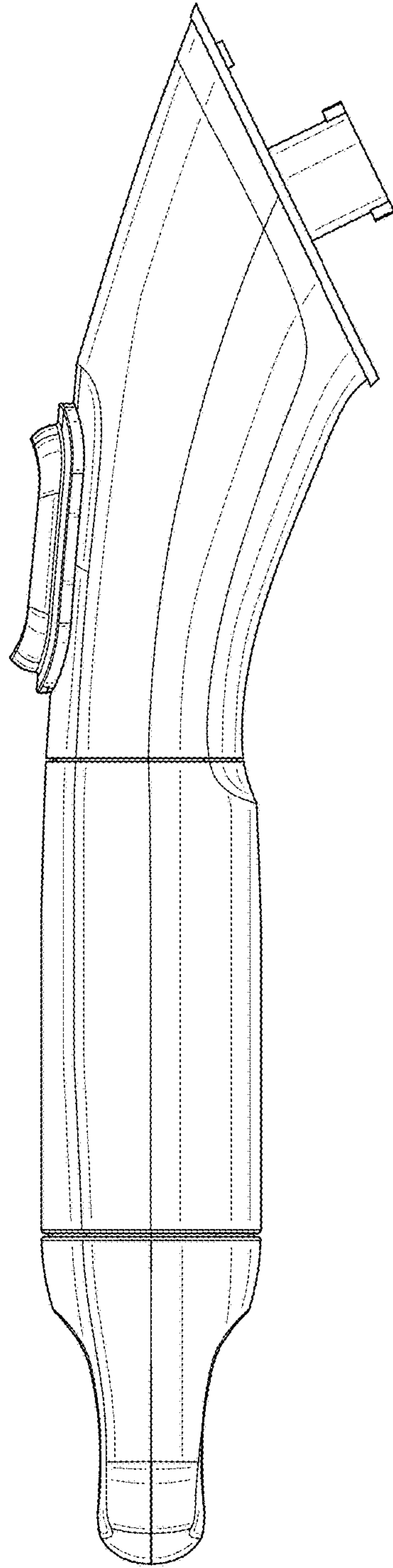


FIG. 4

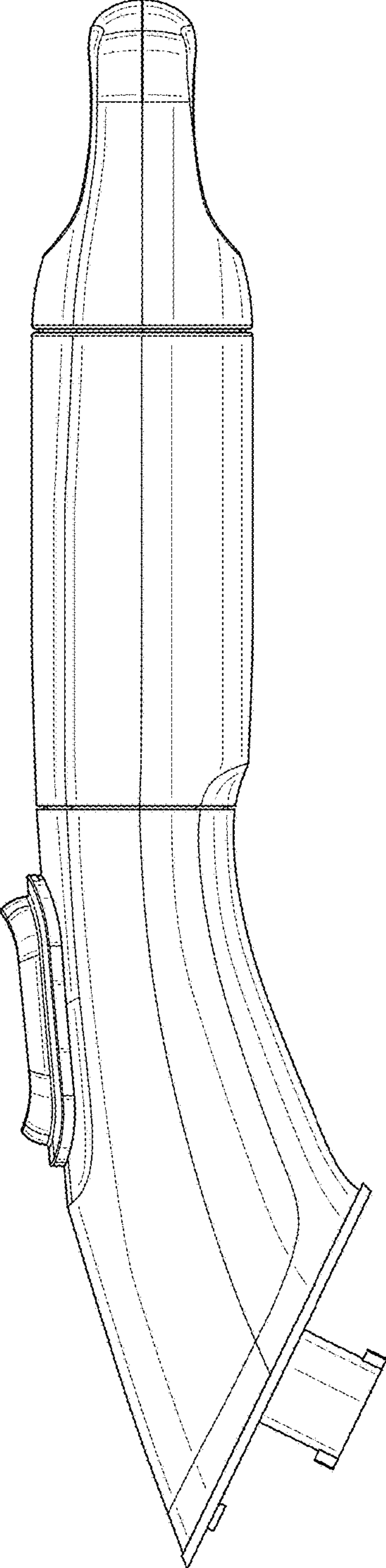


FIG. 5



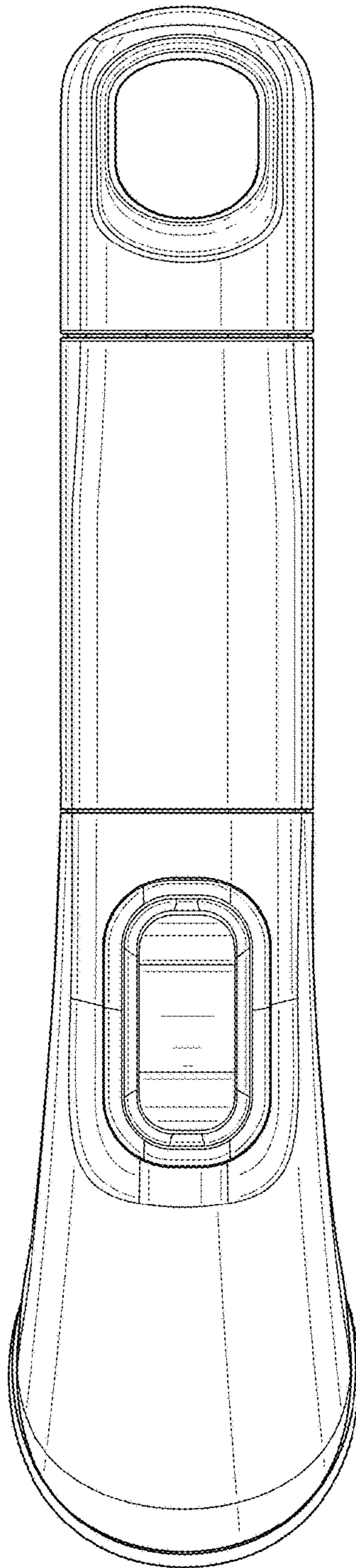


FIG. 6

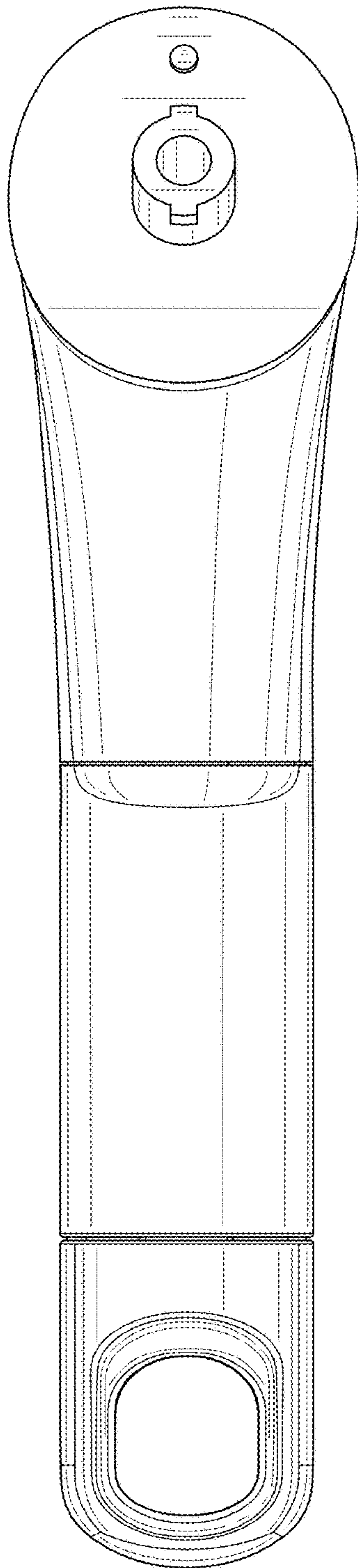


FIG. 7