

US00D869166S

(12) **United States Design Patent** (10) **Patent No.:** **US D869,166 S**
Zeller (45) **Date of Patent:** **** Dec. 10, 2019**

(54) **COMBINATION STRAPS/HANDLES FOR HANDBAG**

(71) Applicant: **Delvaux Createur SA**, Brussels (BE)

(72) Inventor: **Christina Zeller**, Brussels (BE)

(73) Assignee: **Delvaux Createur SA**, Brussels (BE)

(**) Term: **15 Years**

(21) Appl. No.: **29/662,016**

(22) Filed: **Aug. 31, 2018**

(30) **Foreign Application Priority Data**

Mar. 1, 2018 (EP) 004733749

(51) **LOC (12) Cl.** **03-01**

(52) **U.S. Cl.**
USPC **D3/318**

(58) **Field of Classification Search**
USPC D3/232–233, 240–243, 245–246, 318
(Continued)

(56) **References Cited**

U.S. PATENT DOCUMENTS

D519,737 S * 5/2006 Gonzalez D3/318
D755,510 S * 5/2016 Haast D3/232

FOREIGN PATENT DOCUMENTS

EM 000250485-0001 11/2004
EM 000250485-0002 11/2004
EM 002188920-0005 2/2013

* cited by examiner

Primary Examiner — Holly H Baynham
(74) *Attorney, Agent, or Firm* — Weaver Austin
Villeneuve & Sampson LLP

(57) **CLAIM**

What is claimed are combination straps/handles for a handbag, as shown and described.

DESCRIPTION

FIG. 1 is a side view of a handbag with combination straps/handles.

FIG. 2 is an opposing side view of the handbag with combination straps/handles of FIG. 1.

FIG. 3 is a front view of the handbag with combination straps/handles of FIG. 1.

FIG. 4 is a rear view of the handbag with combination straps/handles of FIG. 1.

FIG. 5 is a top view of the handbag with combination straps/handles of FIG. 1.

FIG. 6 is a bottom view of the handbag with combination straps/handles of FIG. 1.

FIG. 7 is a perspective view of the handbag with combination straps/handles of FIG. 1 as the combination straps/handles would appear when positioned to be gripped by the handles.

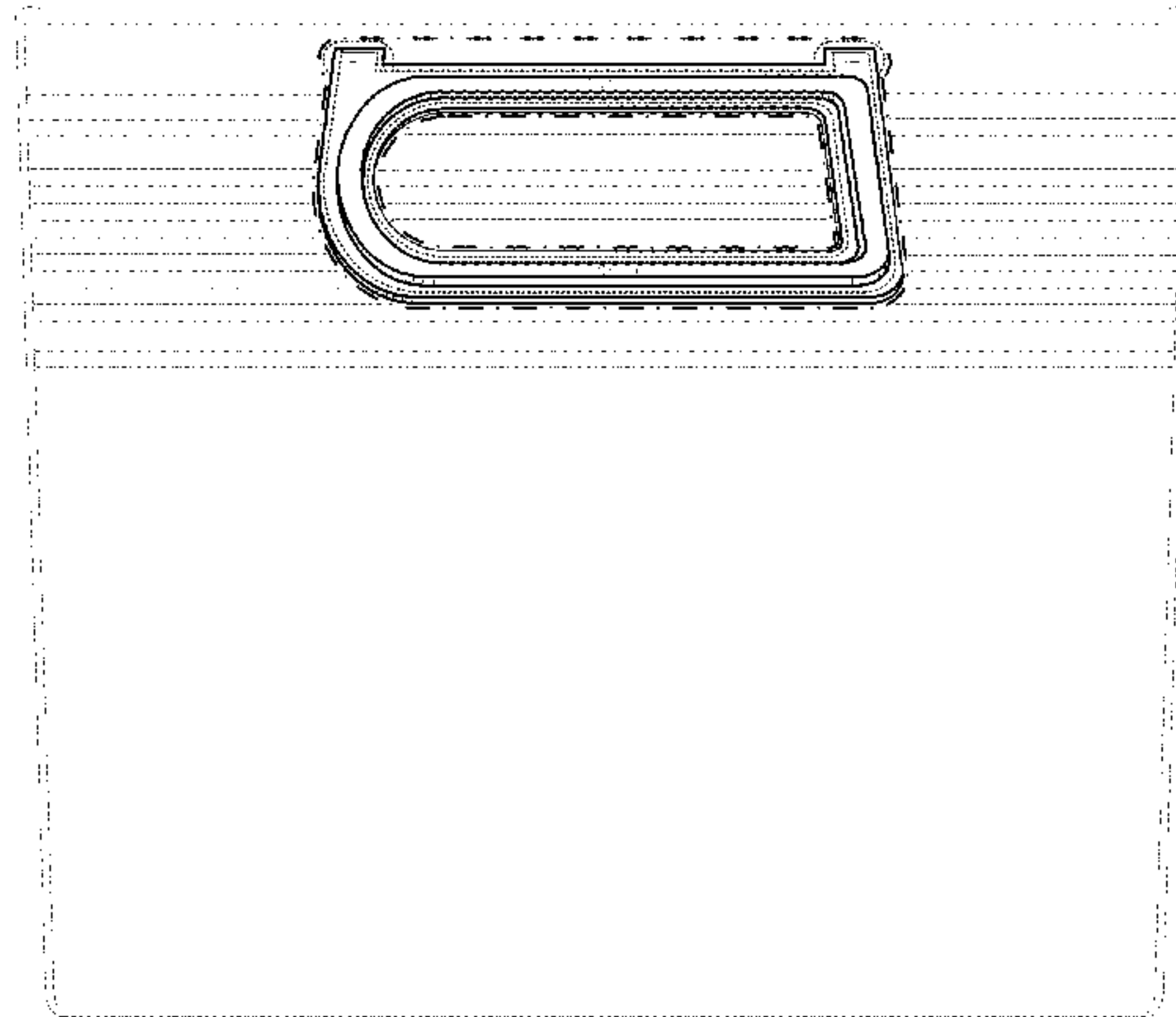
FIG. 8 is a perspective view of the handbag with combination straps/handles of FIG. 1 as the combination straps/handles would appear when positioned to be gripped by the straps; and,

FIG. 9 is from the same viewpoint as FIG. 2 and shows the combination straps/handles as they would appear when positioned to be gripped by the straps.

Combination straps/handles for a fashion accessory, such as a handbag, are depicted. Portions of the handbag that are indicated as forming no part of the design are rendered in broken lines and have no shading. Transitions between the claimed design and the portions of the handbag forming no part of the claimed design are indicated through the presence of heavier black dash-dot-dash boundary lines that separate the claimed design from the portions that form no part of the claimed design. For clarity, portions of the design depicted using dotted lines (as opposed to dashed lines) indicate the presence of stitching.

For clarity, the black-and-white line drawing embodiments are not intended to convey color or material texture.

1 Claim, 7 Drawing Sheets



(58) **Field of Classification Search**

CPC A45C 1/024; A45C 3/06; A45C 5/14

See application file for complete search history.

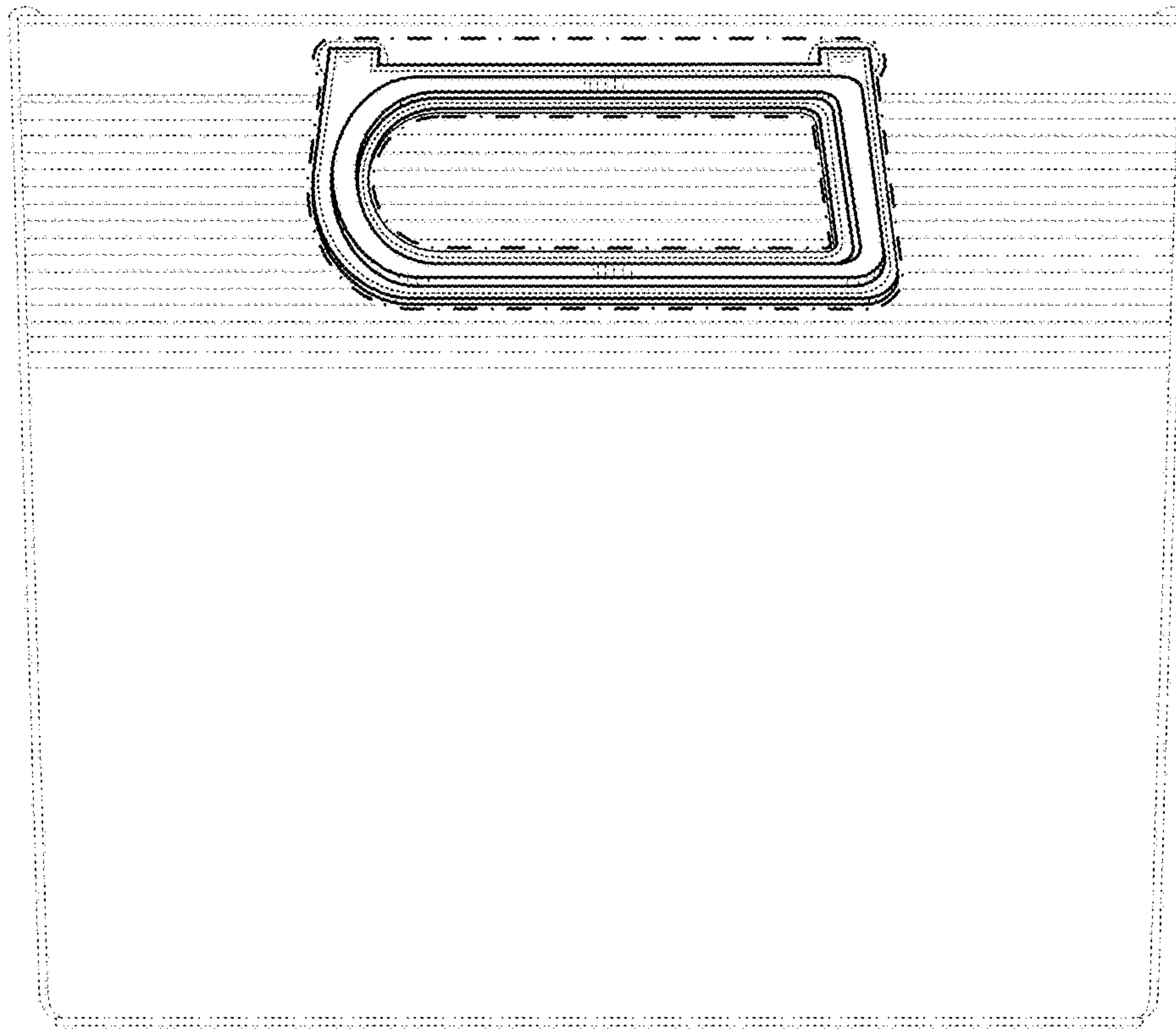


Figure 1

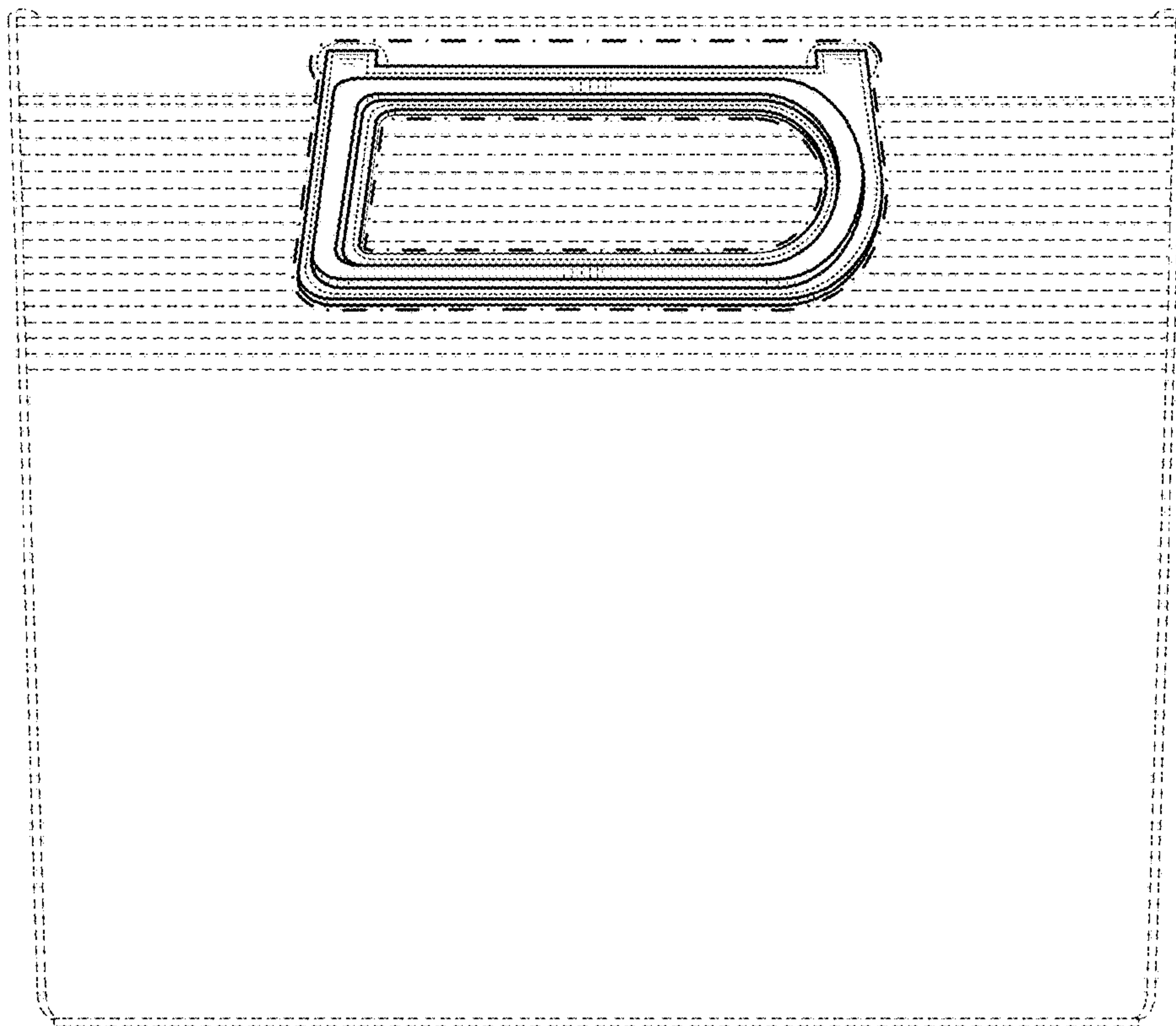


Figure 2

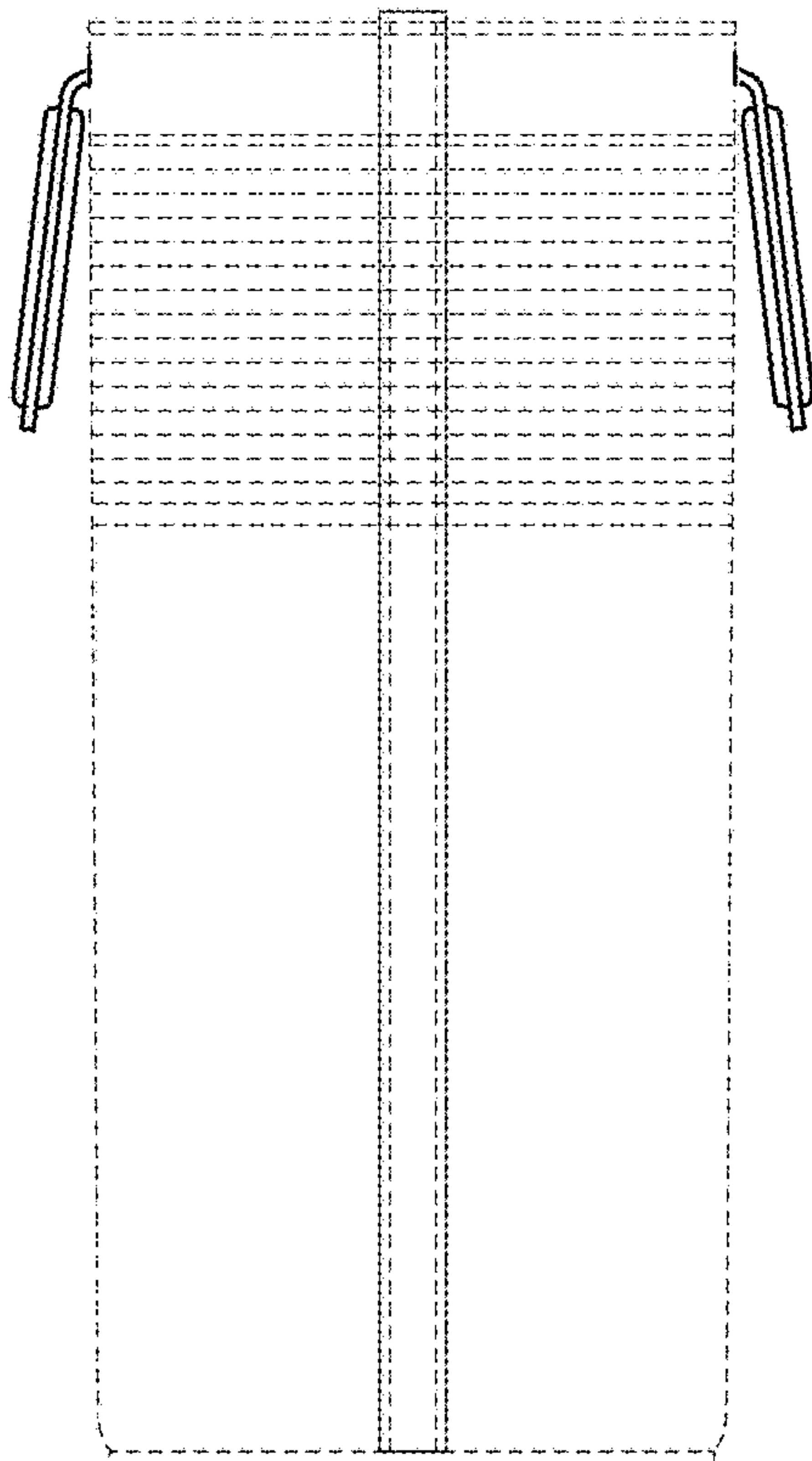


Figure 3

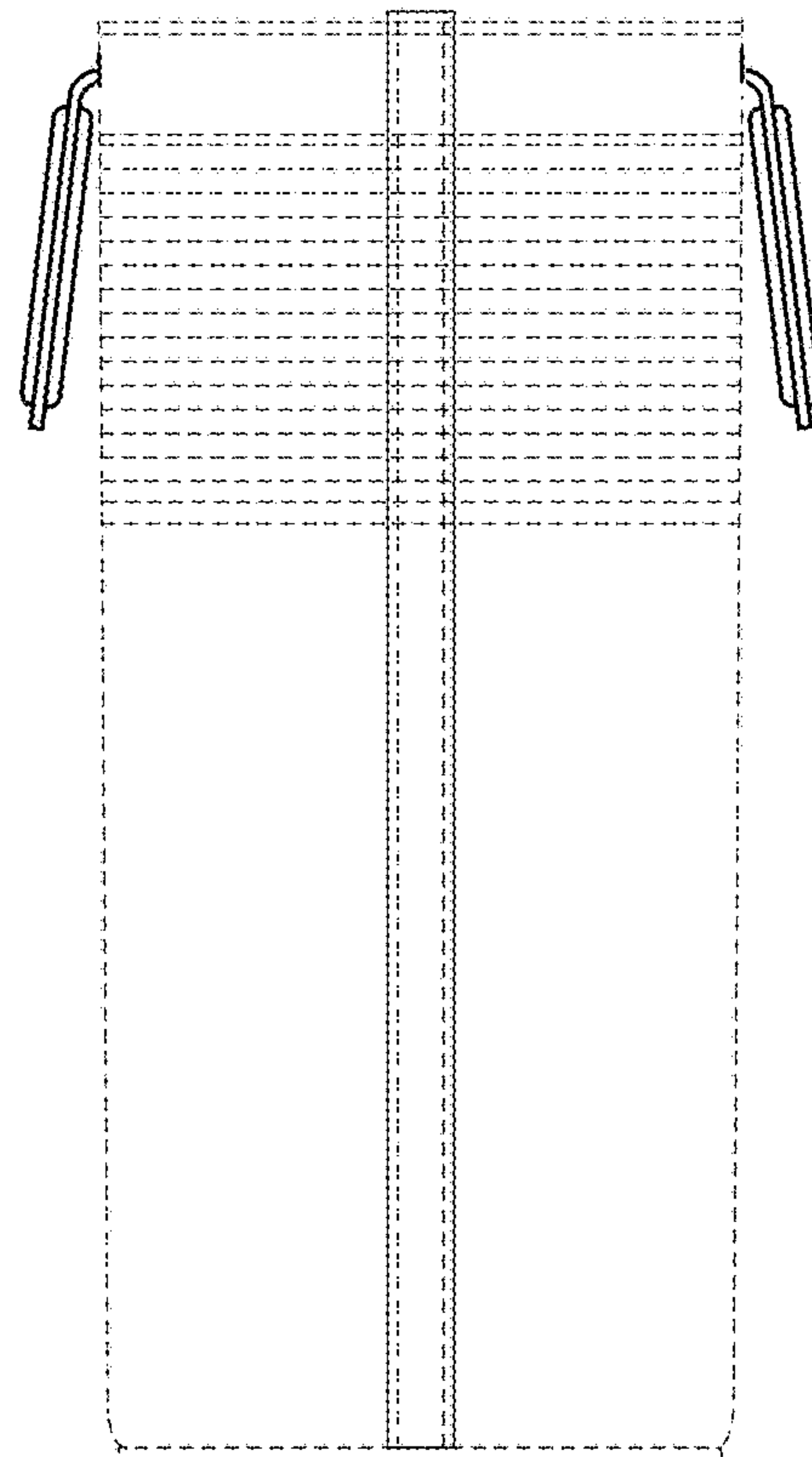


Figure 4

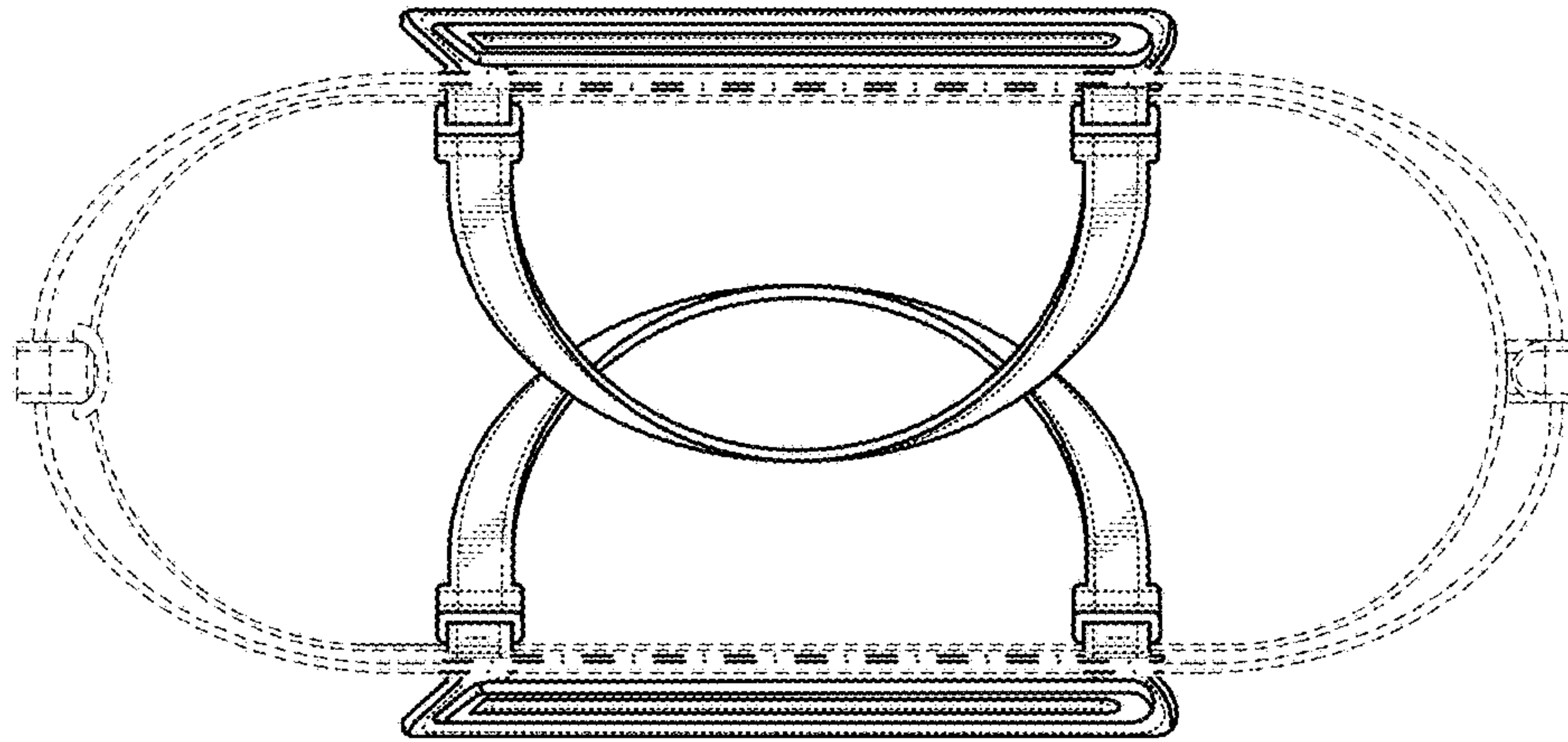


Figure 5

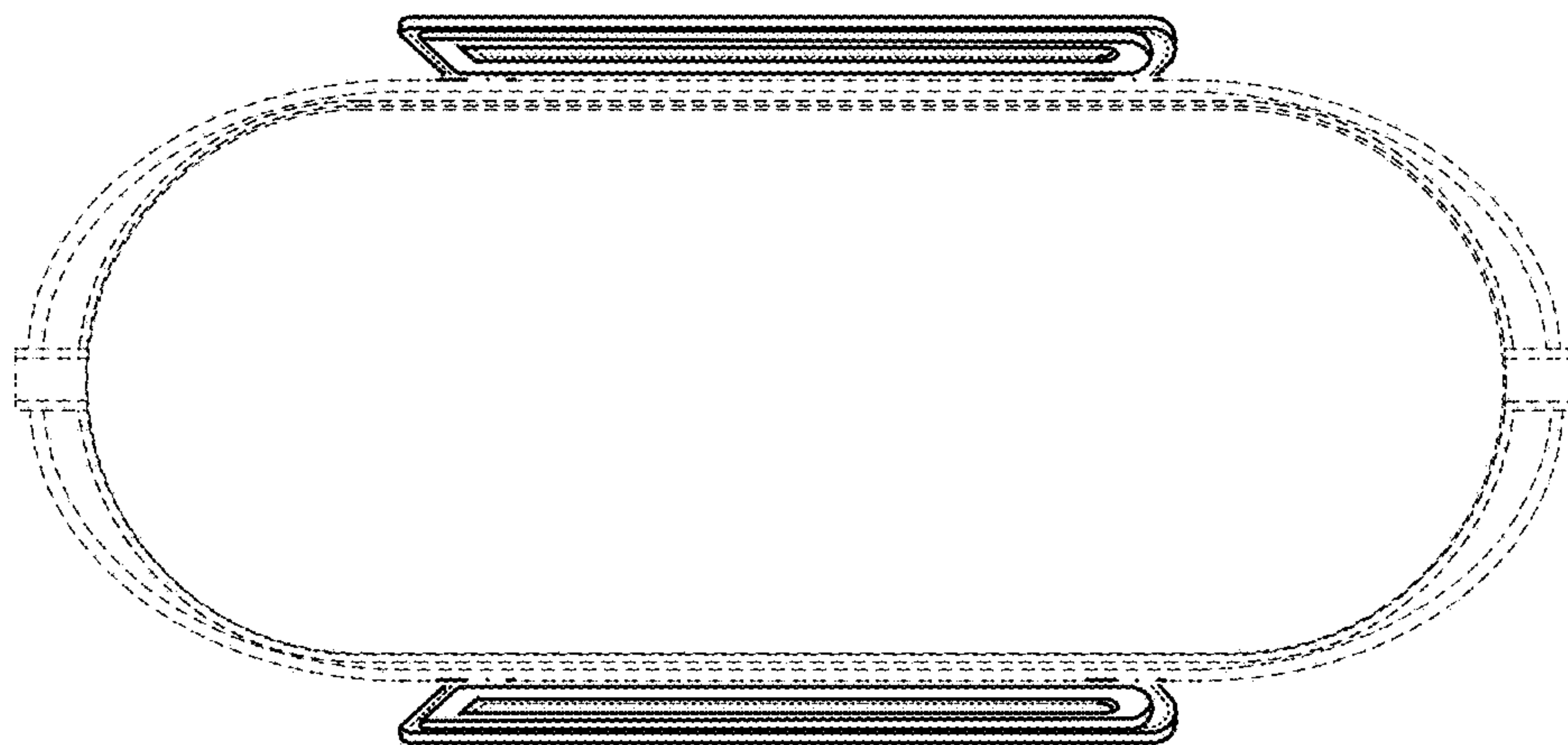


Figure 6

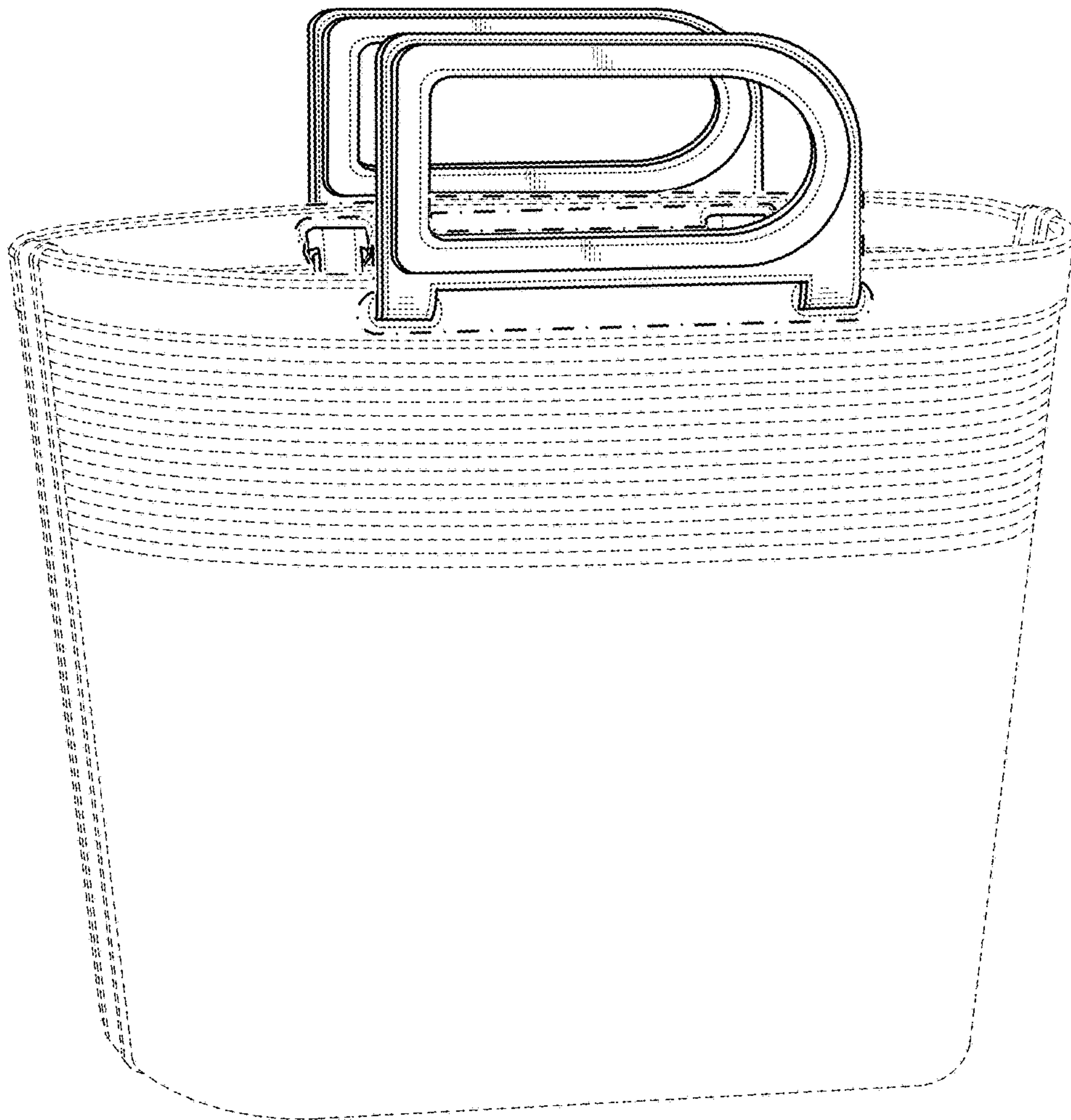
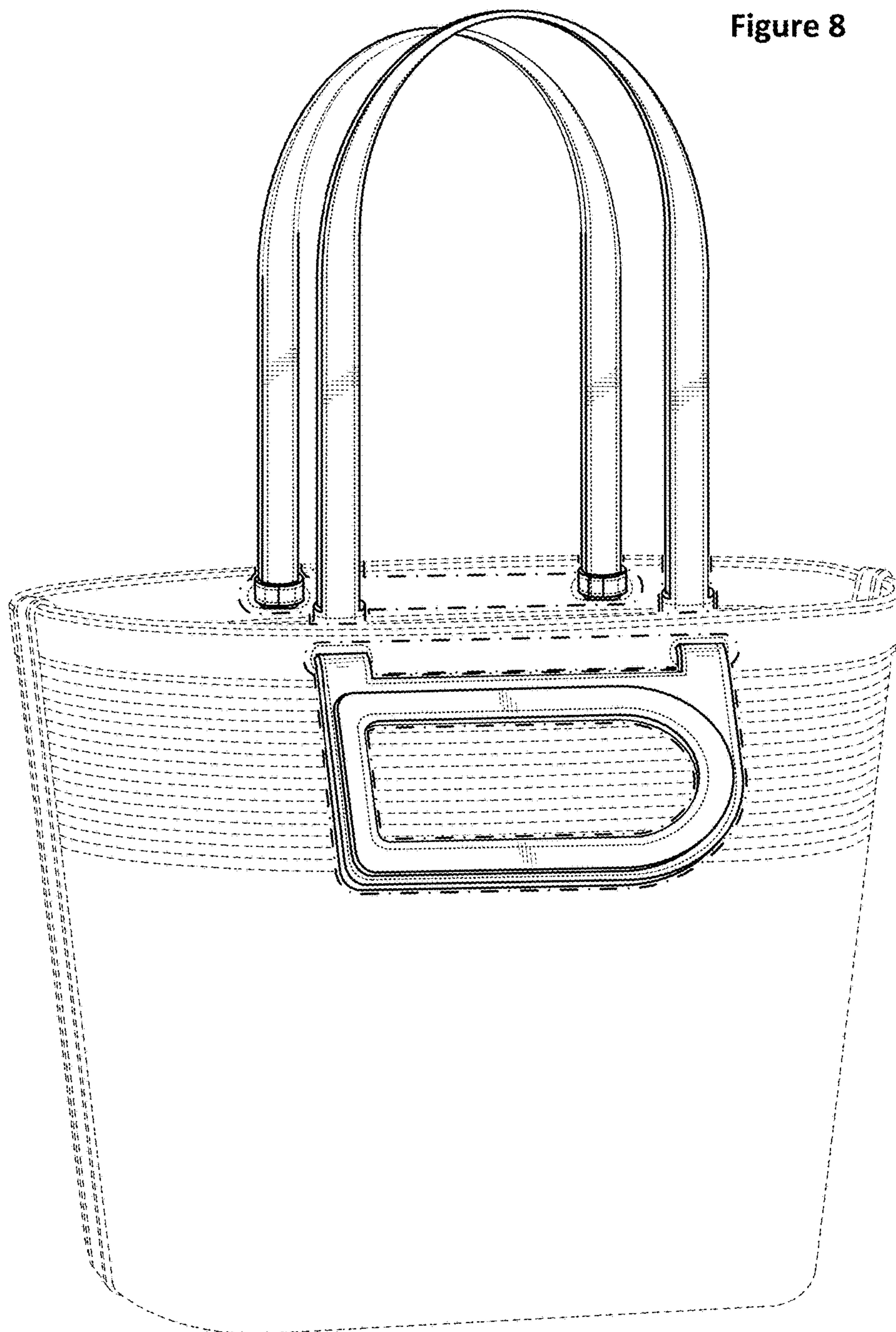


Figure 7

Figure 8



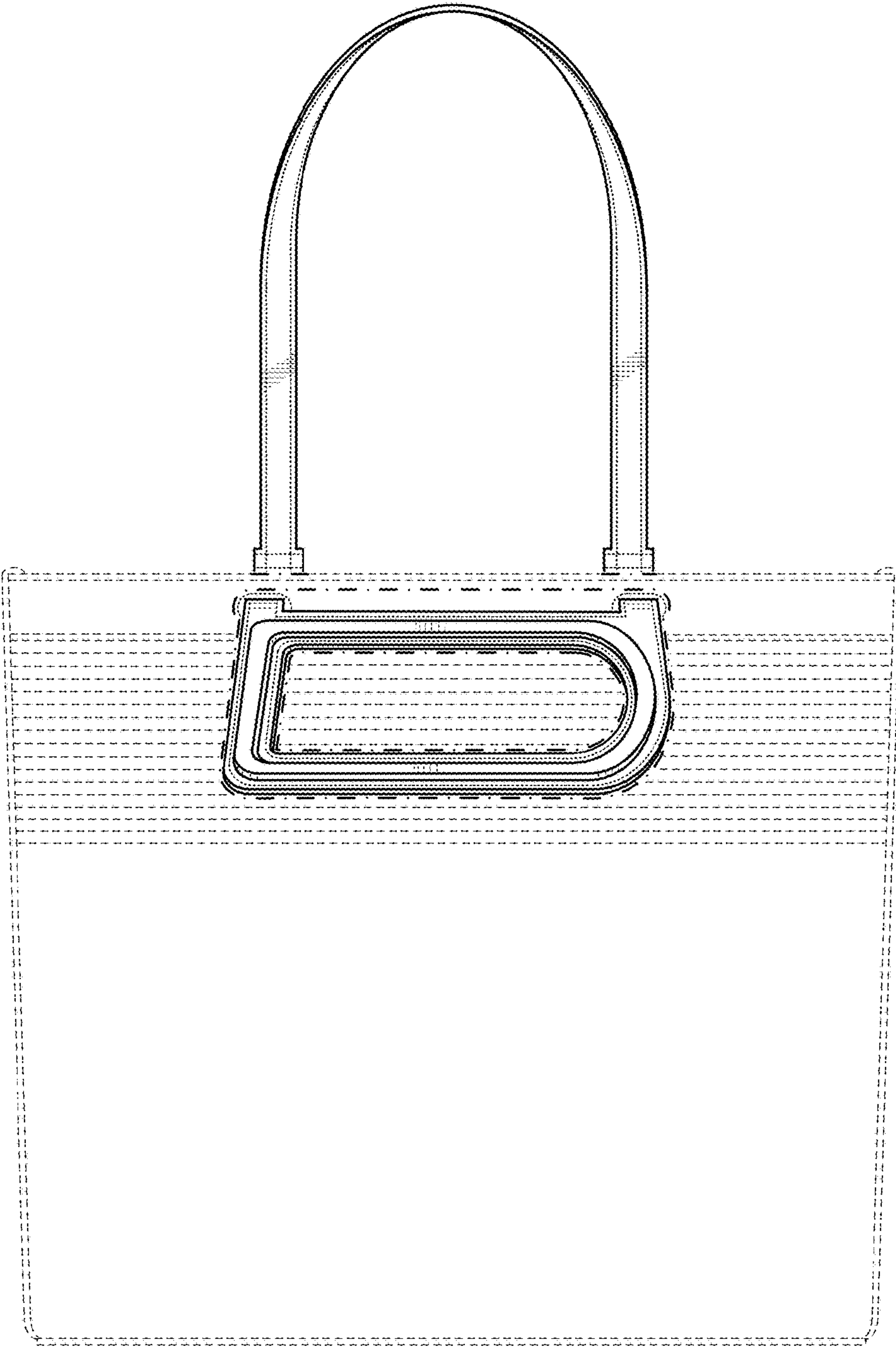


Figure 9