



US00D869163S

(12) **United States Design Patent** (10) **Patent No.:** **US D869,163 S**
Maguire (45) **Date of Patent:** **** Dec. 10, 2019**

(54) **CARRY BAG**
(71) Applicant: **AEROE SPORTS LIMITED**, Dunedin (NZ)
(72) Inventor: **Patrick David Maguire**, Nelson (NZ)
(73) Assignee: **Aeroe Sports Limited**, Dunedin (NZ)
(**) Term: **15 Years**
(21) Appl. No.: **29/662,911**
(22) Filed: **Sep. 10, 2018**

(30) **Foreign Application Priority Data**

Mar. 16, 2018 (NZ) 424209

(51) **LOC (12) Cl.** **03-01**

(52) **U.S. Cl.**
USPC **D3/301**

(58) **Field of Classification Search**
USPC D3/201, 205, 242, 273, 274, 275, 276,
D3/279, 281, 282, 283, 284, 289, 292,
D3/294, 295, 296, 297, 299, 301, 302,
D3/901, 903, 905
CPC A45C 5/04; A45C 11/00; A45C 11/16
See application file for complete search history.

(56) **References Cited**

U.S. PATENT DOCUMENTS

D411,040 S * 6/1999 Gilbertson D3/273
D451,674 S * 12/2001 Leins D3/206
D572,477 S * 7/2008 Young D3/271.1
D587,015 S * 2/2009 Le Coq D3/260
D612,595 S * 3/2010 McCurdy D3/218
D633,507 S * 3/2011 Nelson D14/484.1
D673,430 S * 1/2013 Glassman D3/201
D675,016 S * 1/2013 Van Overbeke D3/273

D692,236 S * 10/2013 Ashkenazy D3/289
D703,439 S * 4/2014 Fair D3/289
D705,532 S * 5/2014 Kolton D3/201
D728,234 S * 5/2015 Muller D3/201
D730,048 S * 5/2015 Muller D3/201
D740,018 S * 10/2015 Zhang D3/201
D758,064 S * 6/2016 Zwetzig D3/201
D758,065 S * 6/2016 Zwetzig D3/201
D772,572 S * 11/2016 Palmborg D3/201
D794,536 S * 8/2017 Hissong D12/317
D795,874 S * 8/2017 Szeremeta D14/432
D800,060 S * 10/2017 Solland D13/108
D804,816 S * 12/2017 Bruce D3/273
D829,213 S * 9/2018 Szeremeta D14/432
D839,583 S * 2/2019 Cao D3/201
D846,264 S * 4/2019 Wu D3/201
D851,913 S * 6/2019 Yu D3/201

* cited by examiner

Primary Examiner — Holly E Thurman

(74) *Attorney, Agent, or Firm* — Workman Nydegger

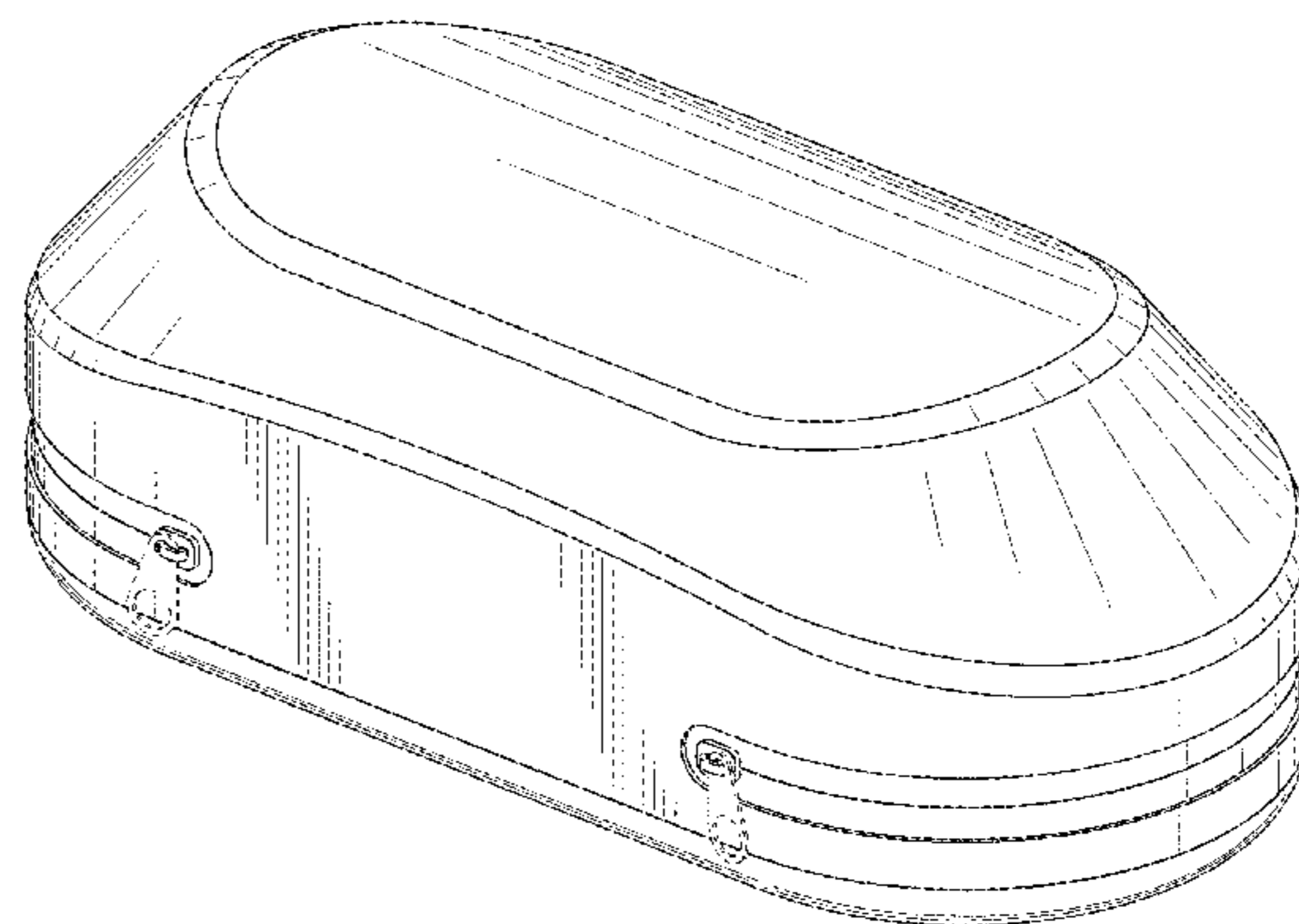
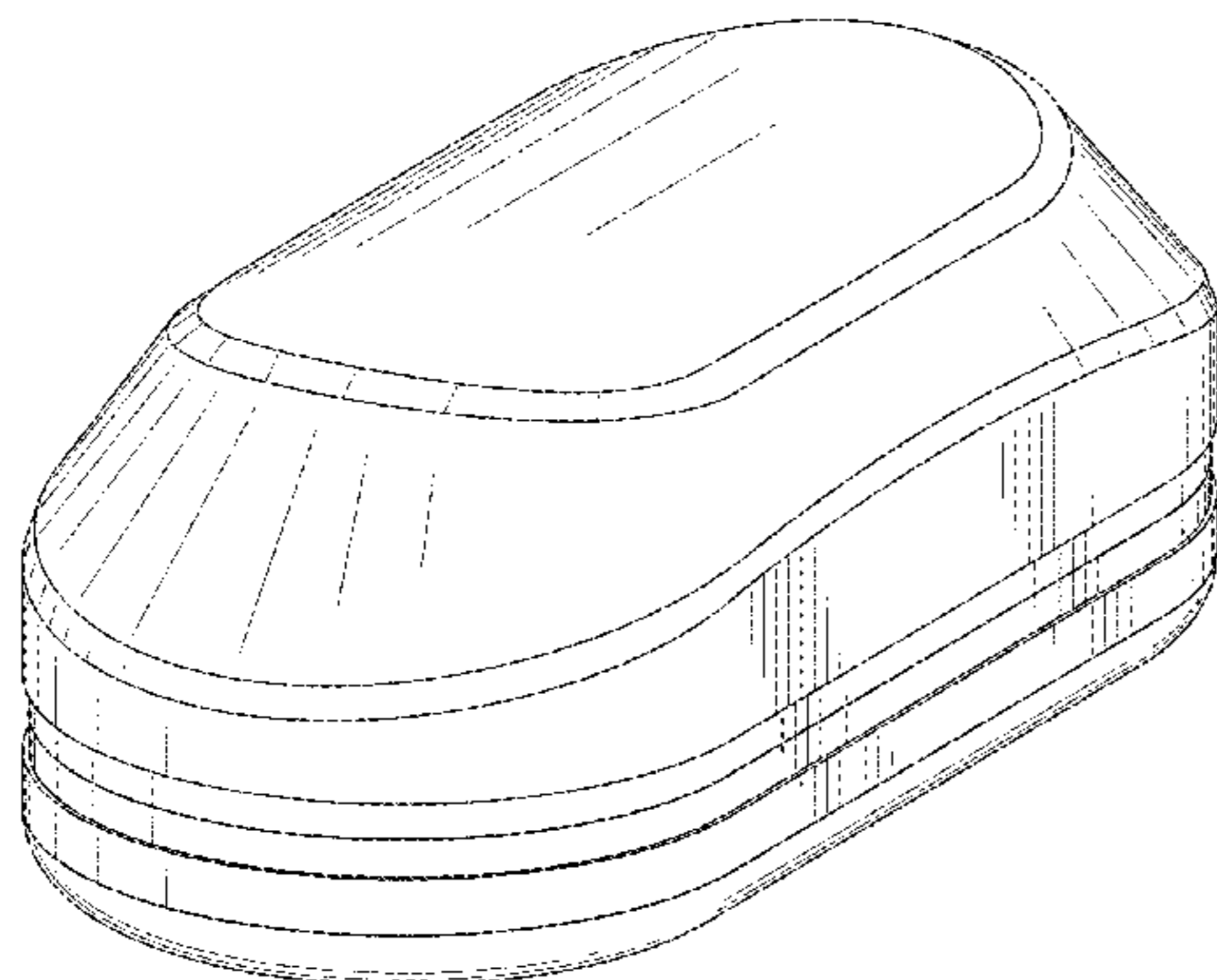
(57) **CLAIM**

The ornamental design for a carry bag, as shown and described.

DESCRIPTION

FIG. 1 is a front perspective view of a carry bag showing my new design;
FIG. 2 is a rear perspective view thereof;
FIG. 3 is a front elevational view thereof;
FIG. 4 is a rear elevational view thereof;
FIG. 5 is a left side elevational view thereof;
FIG. 6 is a right side elevational view thereof;
FIG. 7 is a top plan view thereof; and,
FIG. 8 is a bottom plan view thereof.
The broken lines showing features of the design are for the purpose of illustration only and form no part of the claimed design.

1 Claim, 8 Drawing Sheets



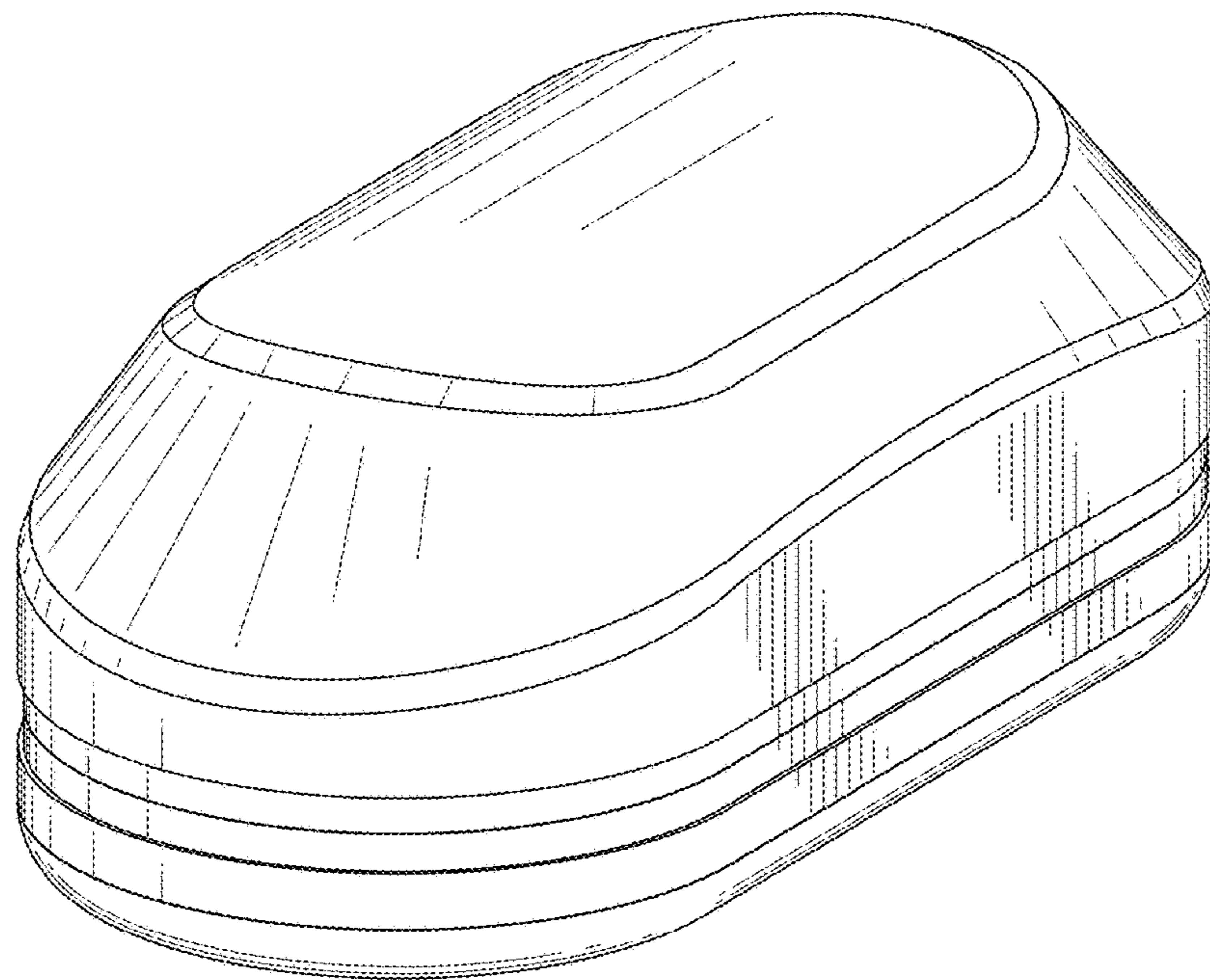


FIG. 1

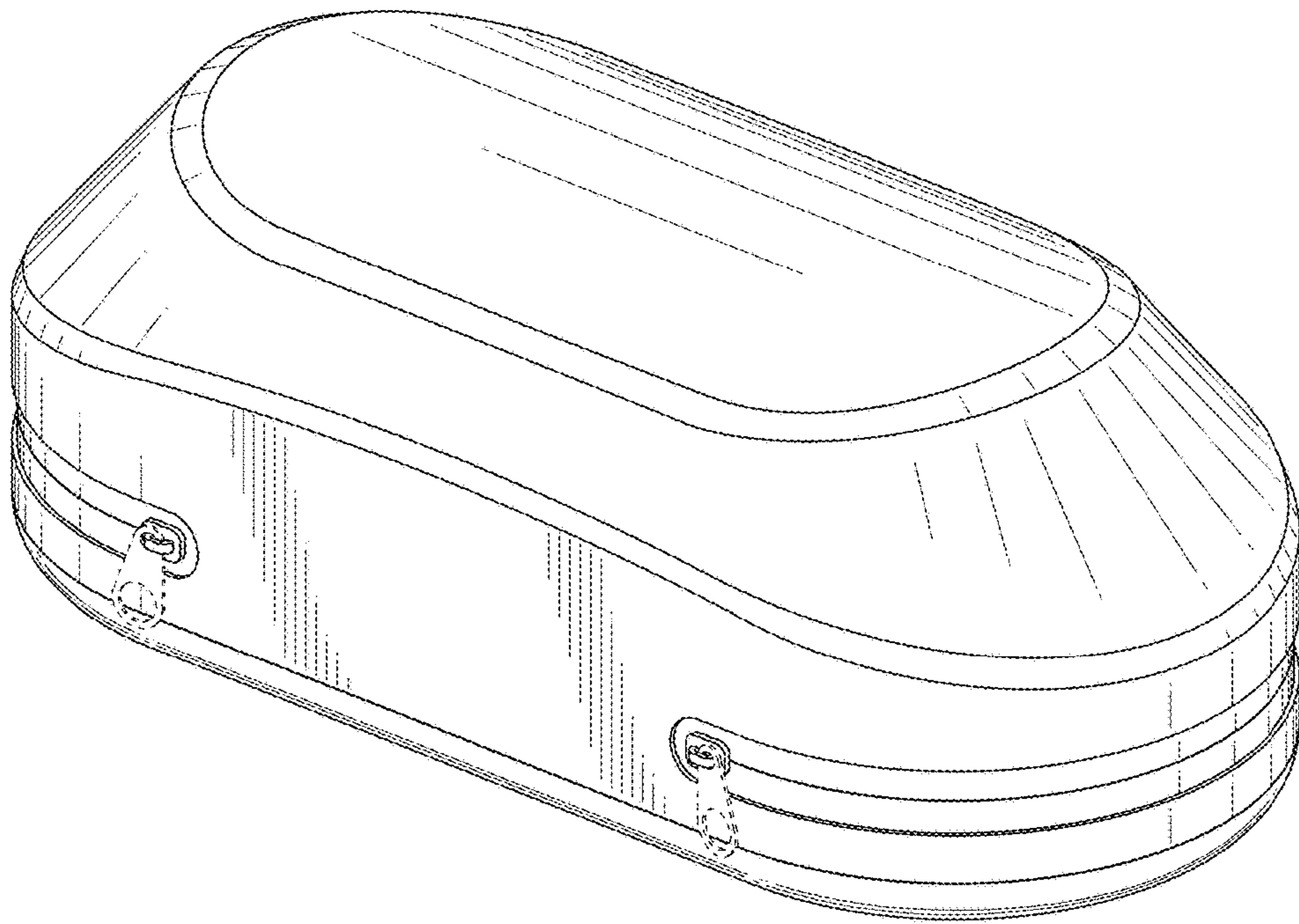


FIG. 2

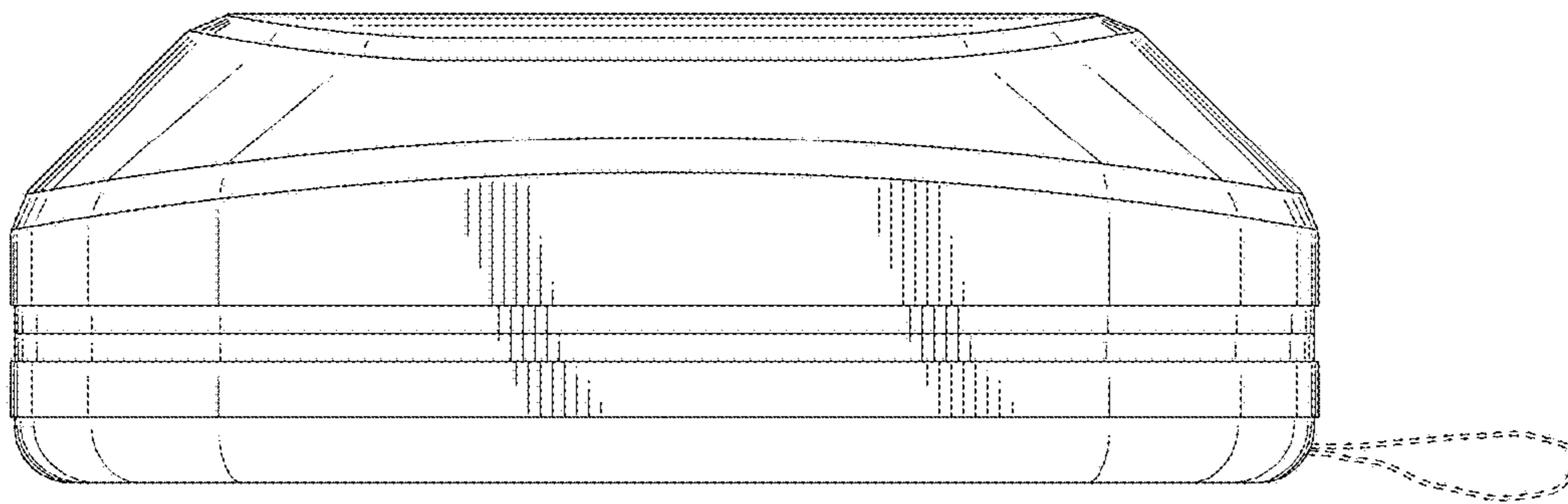


FIG. 3

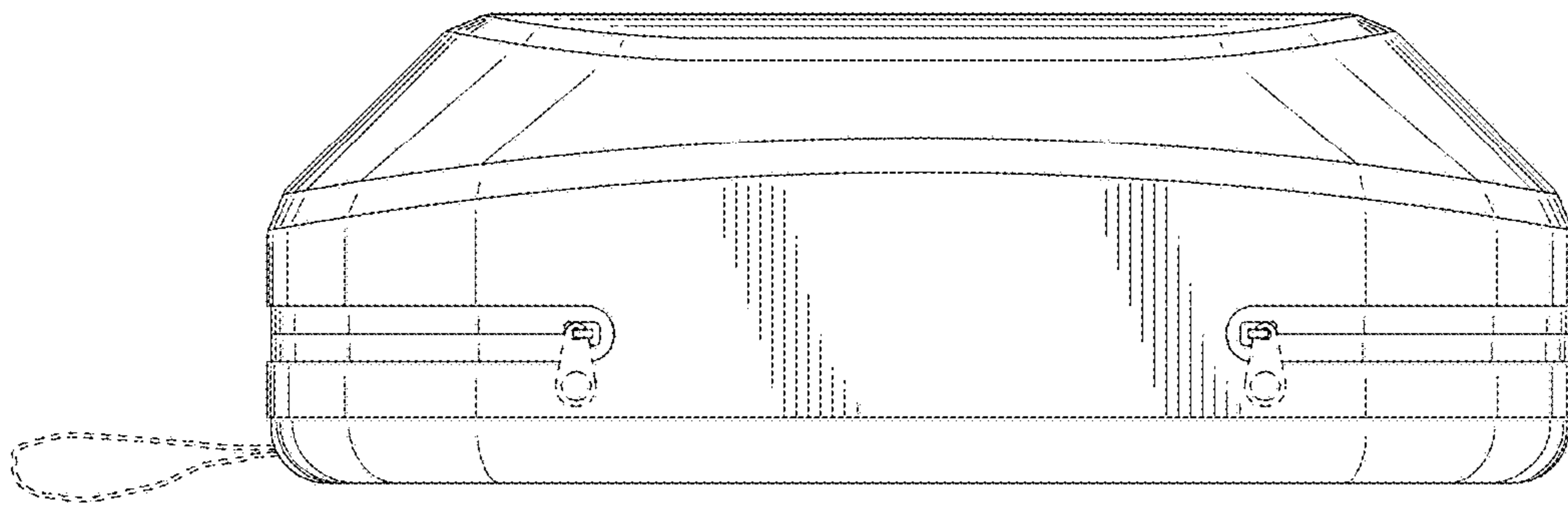


FIG. 4

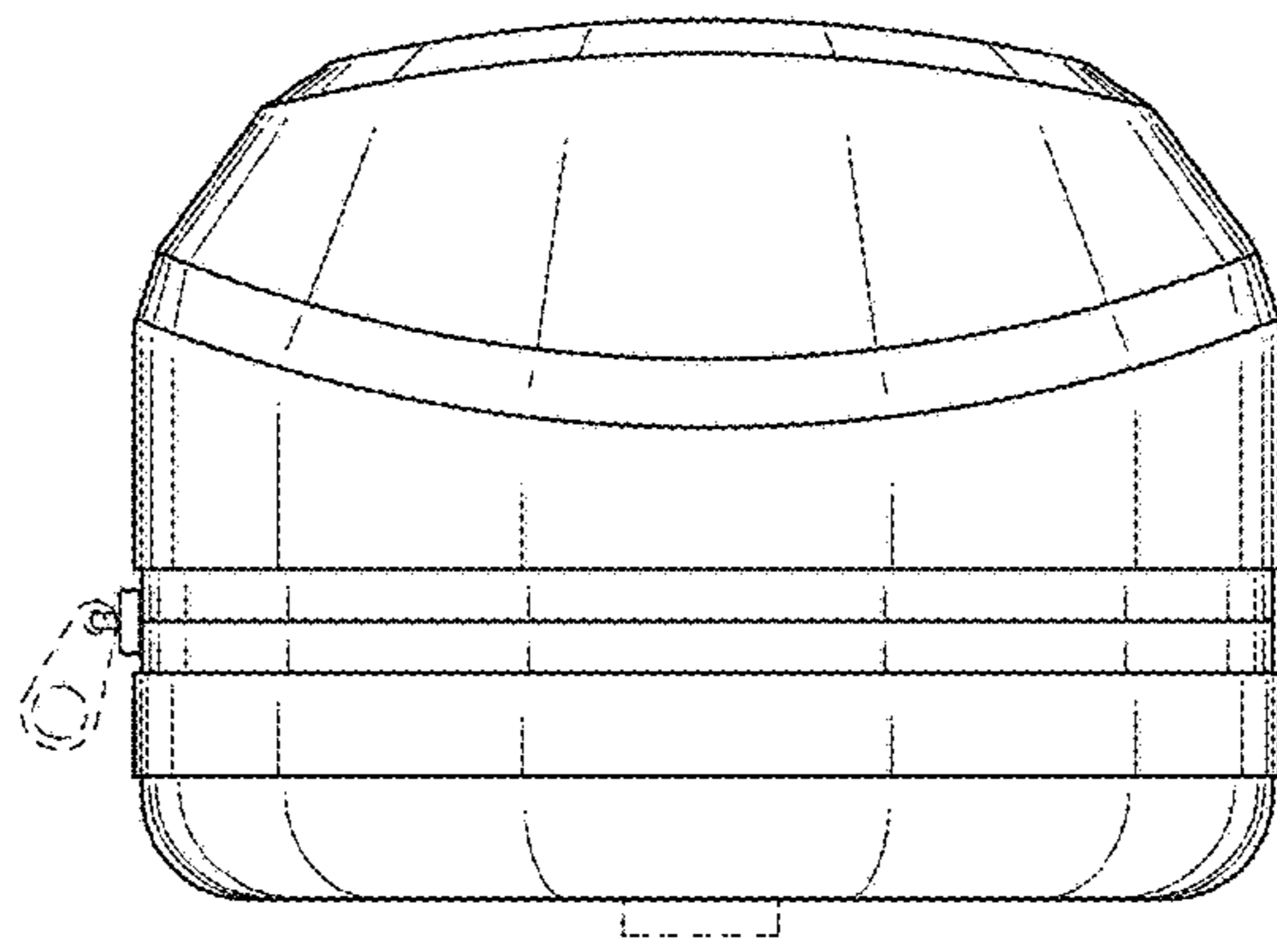


FIG. 5

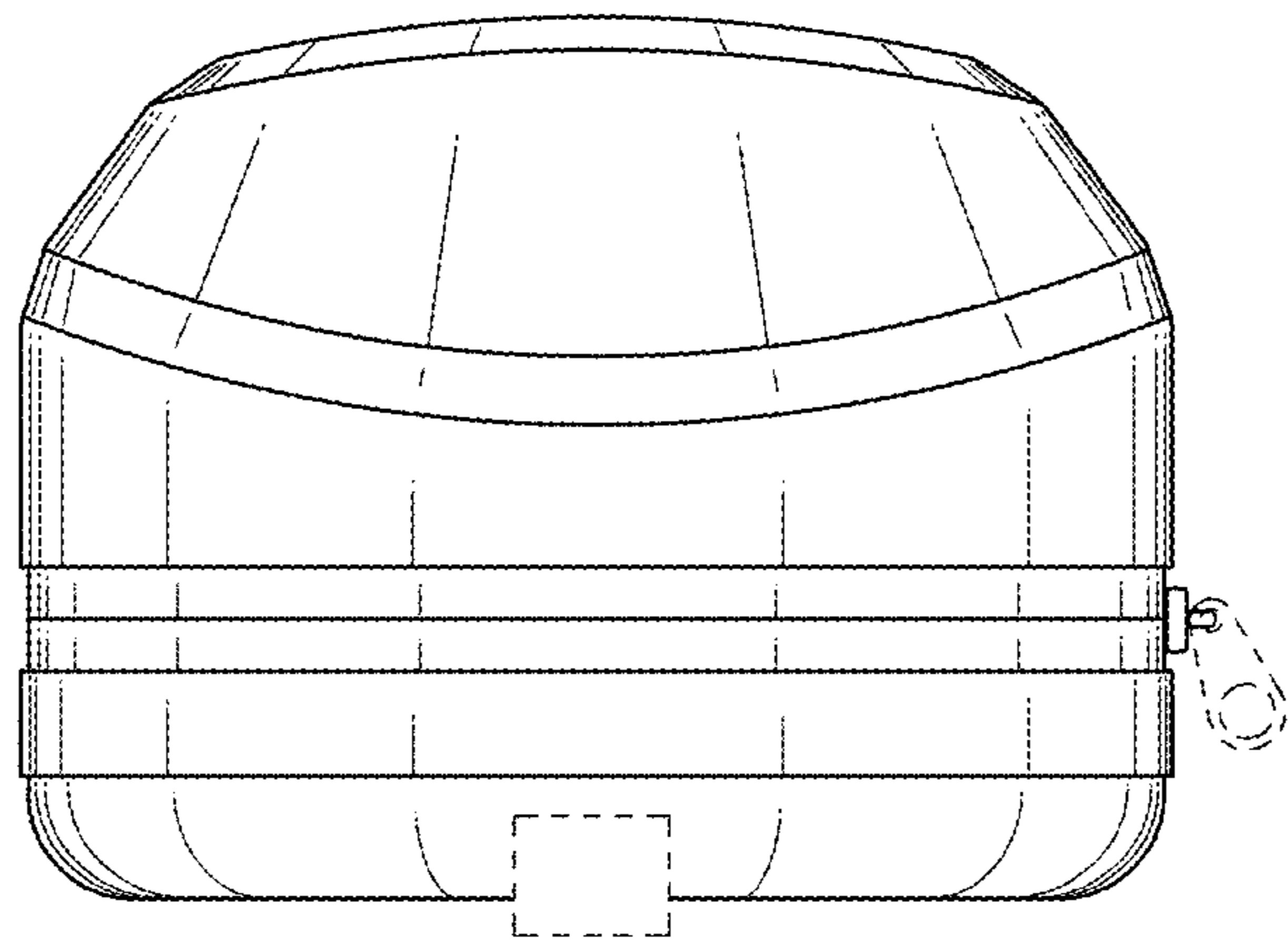


FIG. 6

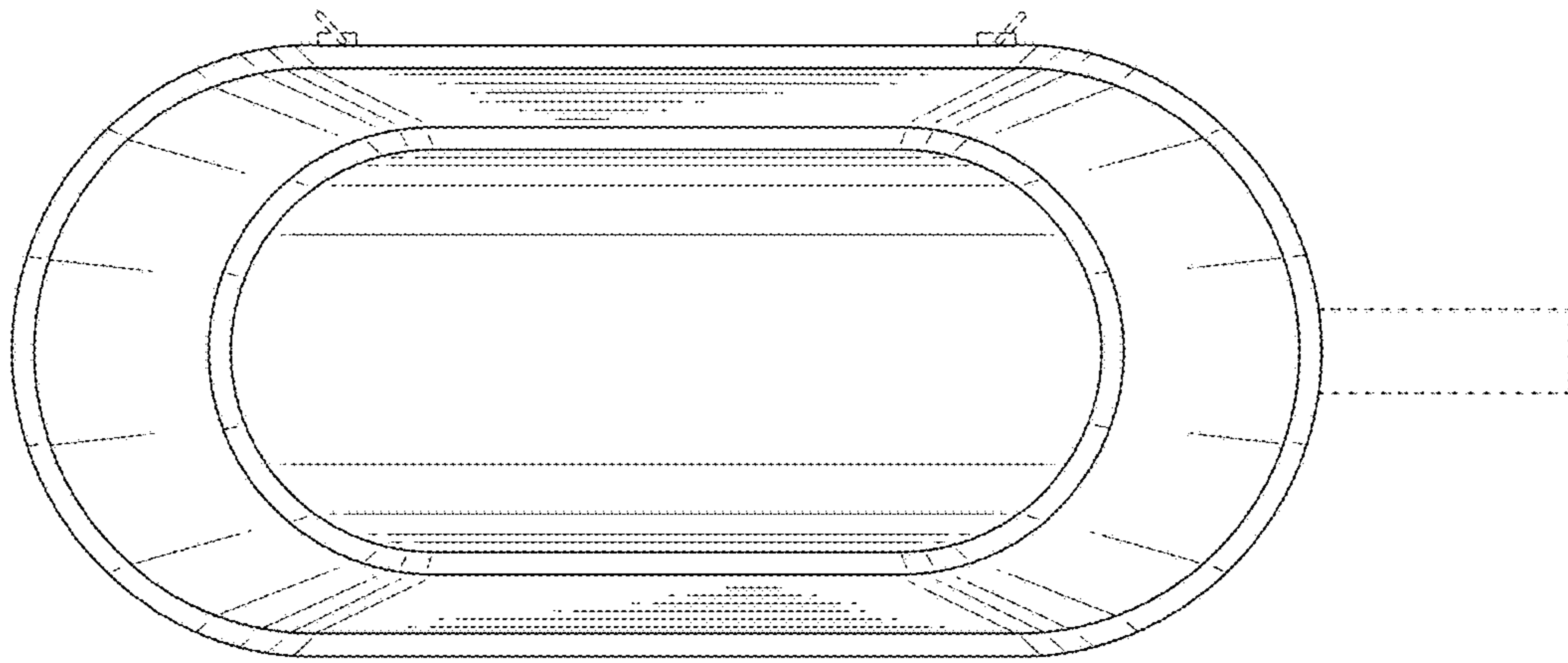


FIG. 7

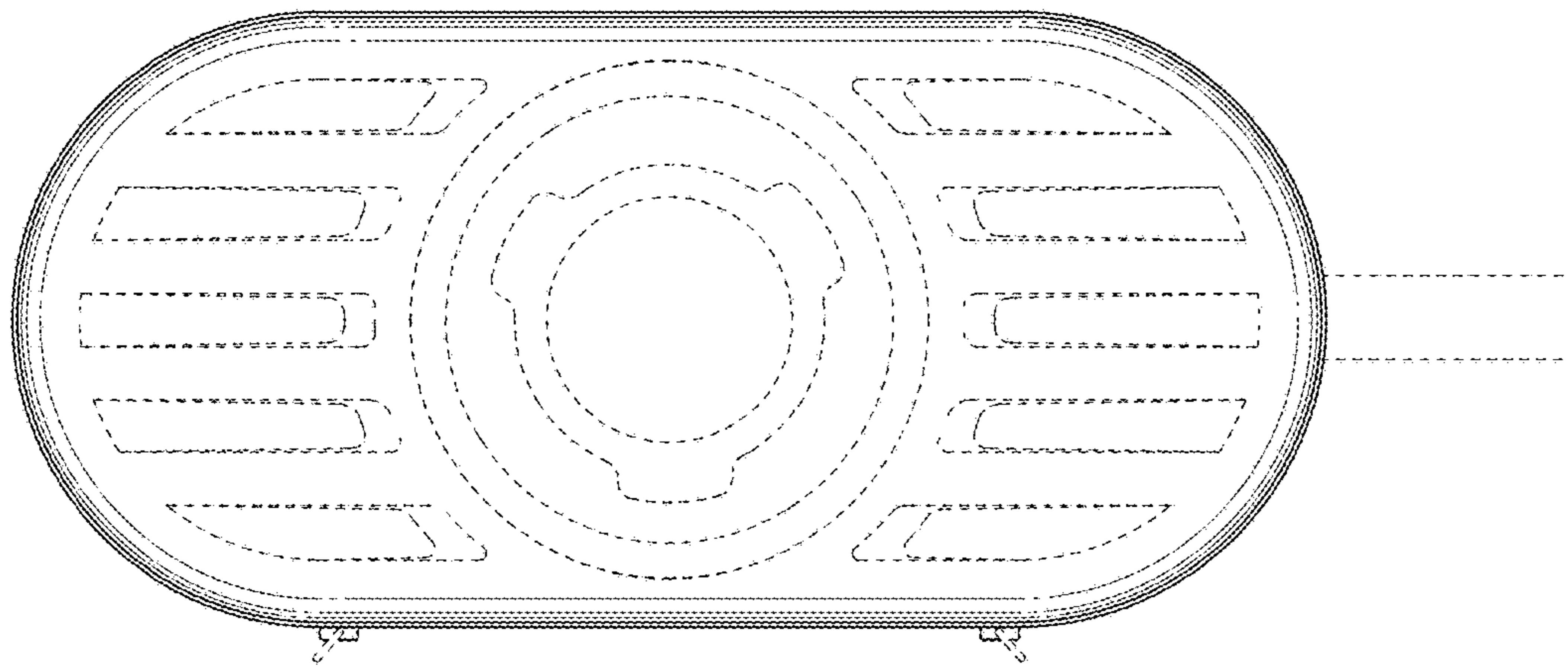


FIG. 8