



US00D869162S

(12) **United States Design Patent**  
**Smith et al.**

(10) **Patent No.:** **US D869,162 S**

(45) **Date of Patent:** **\*\* Dec. 10, 2019**

(54) **5-TIER ORGANIZER**

(71) Applicant: **Whitmor, Inc.**, Southaven, MS (US)

(72) Inventors: **Kristy Smith**, Germantown, TN (US);  
**Scott Felsenthal**, Germantown, TN (US)

(73) Assignee: **Whitmor, Inc.**, Southaven, MS (US)

(\*\*) Term: **15 Years**

(21) Appl. No.: **29/609,508**

(22) Filed: **Jun. 30, 2017**

**Related U.S. Application Data**

(63) Continuation-in-part of application No. 29/510,614, filed on Dec. 1, 2014, now abandoned.

(51) **LOC (12) Cl.** ..... **03-01**

(52) **U.S. Cl.**  
USPC ..... **D3/295**

(58) **Field of Classification Search**  
USPC ..... D3/273, 274, 275, 276, 281, 284, 292,  
D3/294, 295, 296, 297, 299, 905, 901,  
D3/903, 205, 203.1, 279, 282, 242, 301,  
D3/302; D9/418, 420-423; D28/76-78,  
D28/82-83; D99/28, 34  
CPC ..... A45C 5/04; A45C 11/16; A45C 11/00;  
A45C 5/00

See application file for complete search history.

(56) **References Cited**

**U.S. PATENT DOCUMENTS**

- 2,004,900 A \* 6/1935 Nock ..... A47B 87/02  
312/107
- D265,867 S \* 8/1982 Margulis ..... D3/294
- D361,430 S \* 8/1995 Mohundro ..... D3/296
- D439,743 S \* 4/2001 DeVance ..... D3/297
- D517,805 S \* 3/2006 Hosking ..... D3/291

- D643,216 S \* 8/2011 Greiner ..... D3/296
- D664,803 S \* 8/2012 Argondizzo ..... D7/368
- D671,318 S \* 11/2012 Schmid ..... D3/297
- D684,810 S \* 6/2013 Argondizzo ..... D7/368
- D697,740 S \* 1/2014 Clayborn ..... D6/659
- D702,061 S \* 4/2014 Sengsavang ..... D6/667
- D702,062 S \* 4/2014 Sengsavang ..... D6/667
- D717,667 S \* 11/2014 Nicholas ..... D9/635
- 8,991,946 B1 \* 3/2015 Braggs ..... A47F 5/02  
312/125
- 2005/0168115 A1 \* 8/2005 Moon ..... A47B 47/042  
312/257.1

\* cited by examiner

*Primary Examiner* — Holly E Thurman

(74) *Attorney, Agent, or Firm* — Stites & Harbison  
PLLC; Richard S. Myers, Jr.

(57) **CLAIM**

The ornamental design for a 5-tier organizer, as shown and described.

**DESCRIPTION**

FIG. 1 is a top perspective view of a 5-tier organizer showing the new design;  
 FIG. 2 is a top plan view of the design shown in FIG. 1;  
 FIG. 3 is a front elevation view of the design shown in FIG. 1;  
 FIG. 4 is a right side elevation view of the design shown in FIG. 1 (the left side elevation view of the design is a mirror image of the view shown in FIG. 4);  
 FIG. 5 is a rear elevation view of the design shown in FIG. 1;  
 FIG. 6 is a bottom plan view of the design shown in FIG. 1; and,  
 FIG. 7 is a cross-section view of the design shown in FIG. 1 taken along line 7-7 in FIG. 3.

The features shown in broken lines depict environmental subject matter and form no part of the claimed design.

**1 Claim, 5 Drawing Sheets**

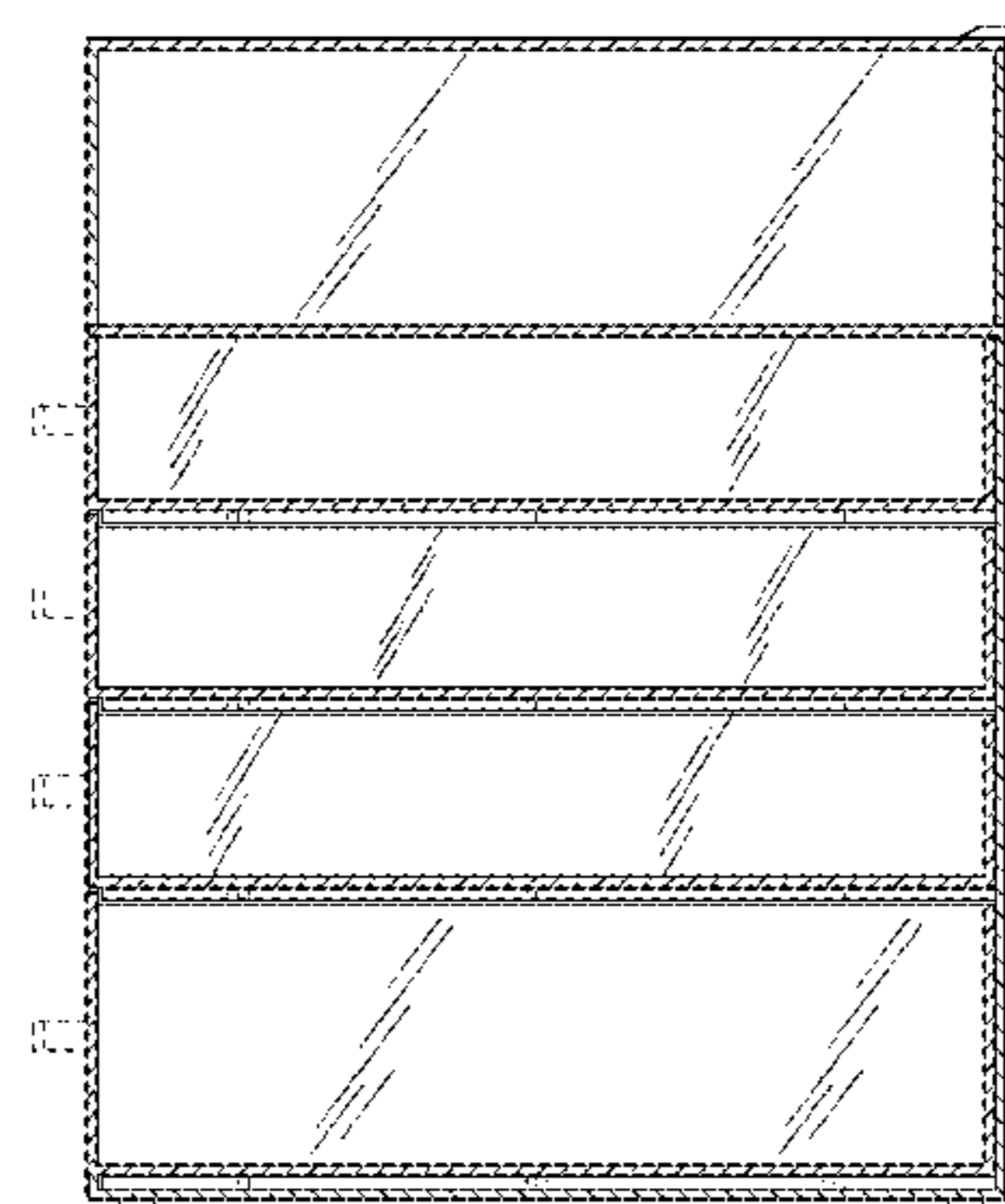
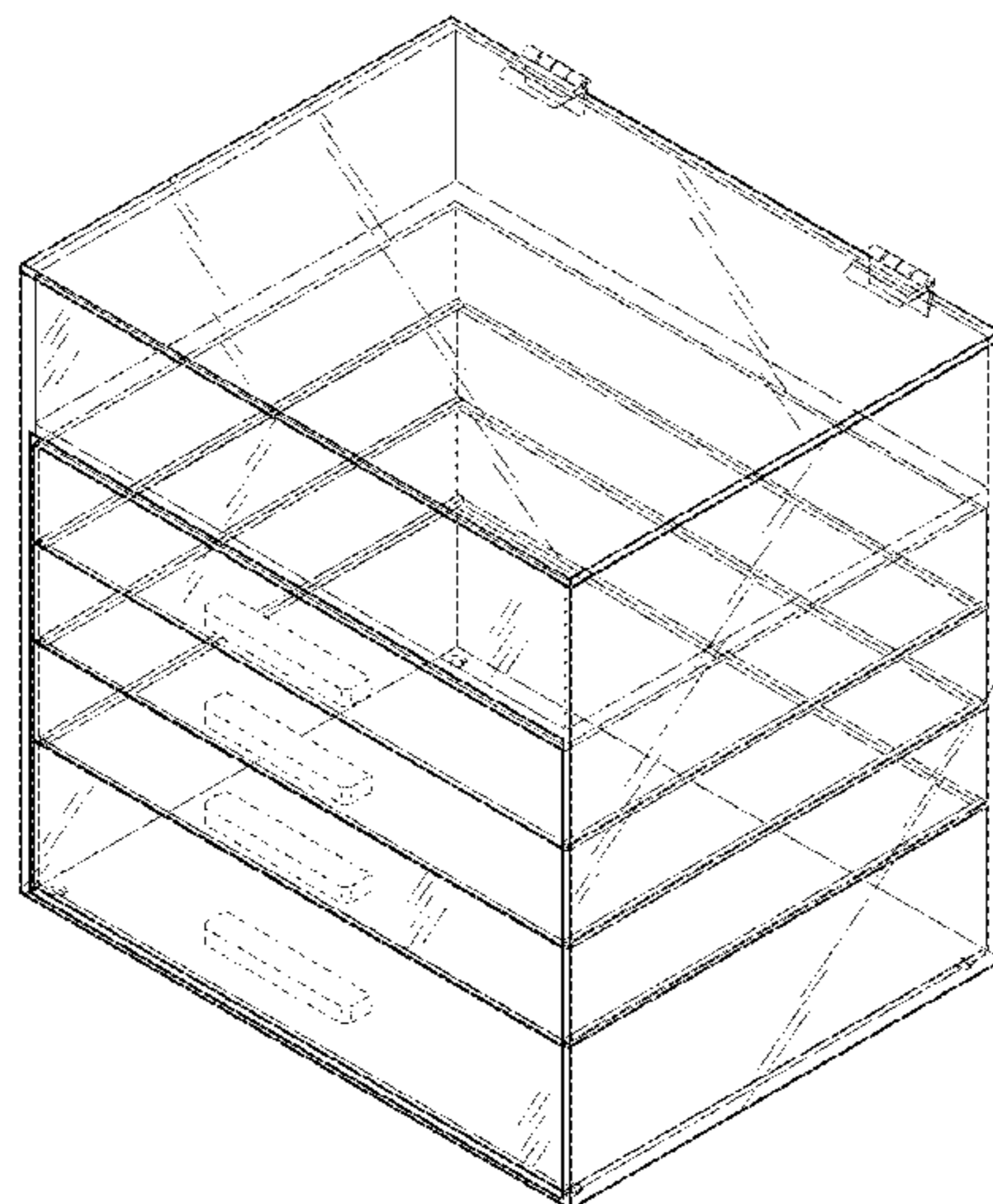


FIG. 1

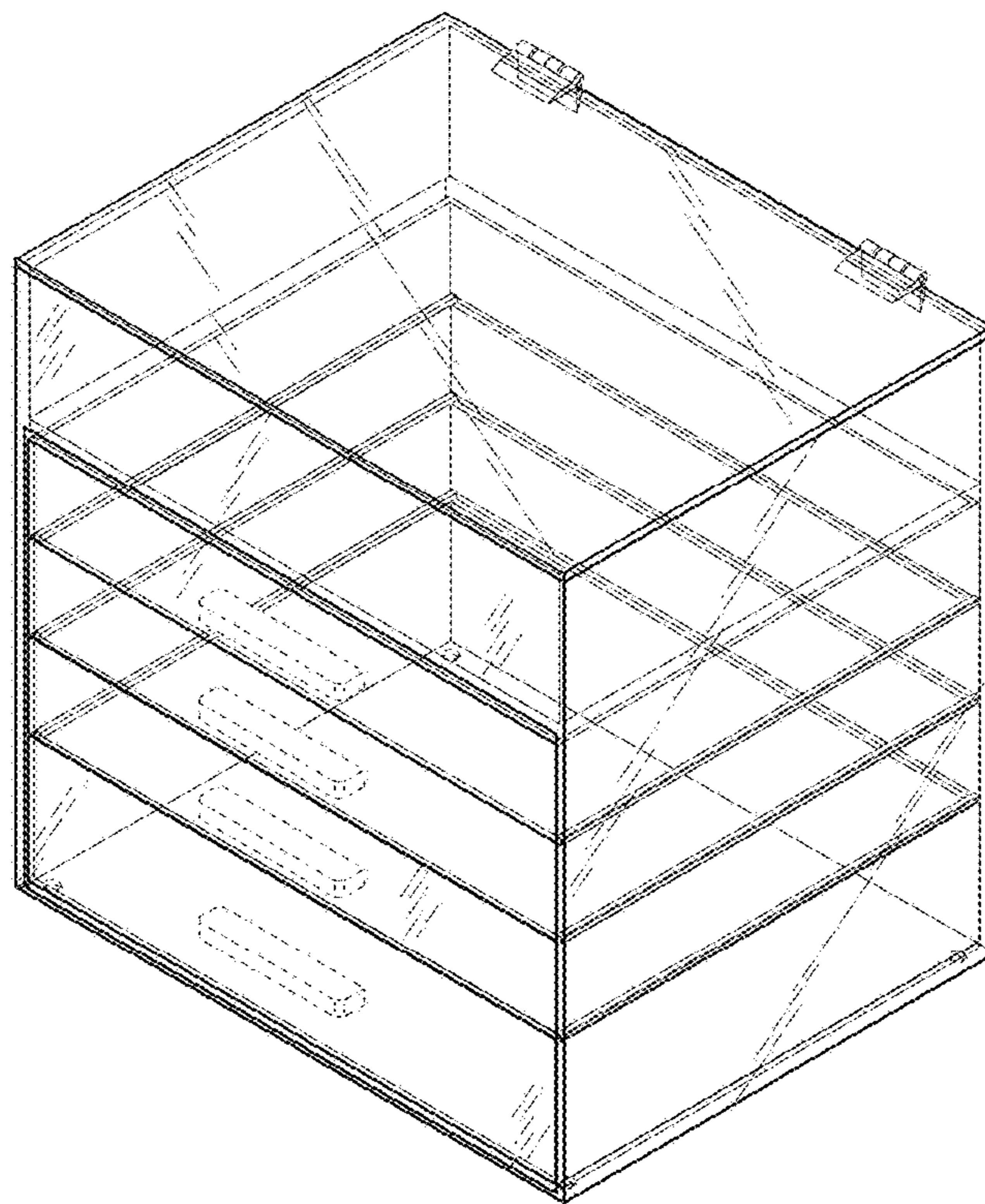


FIG. 2

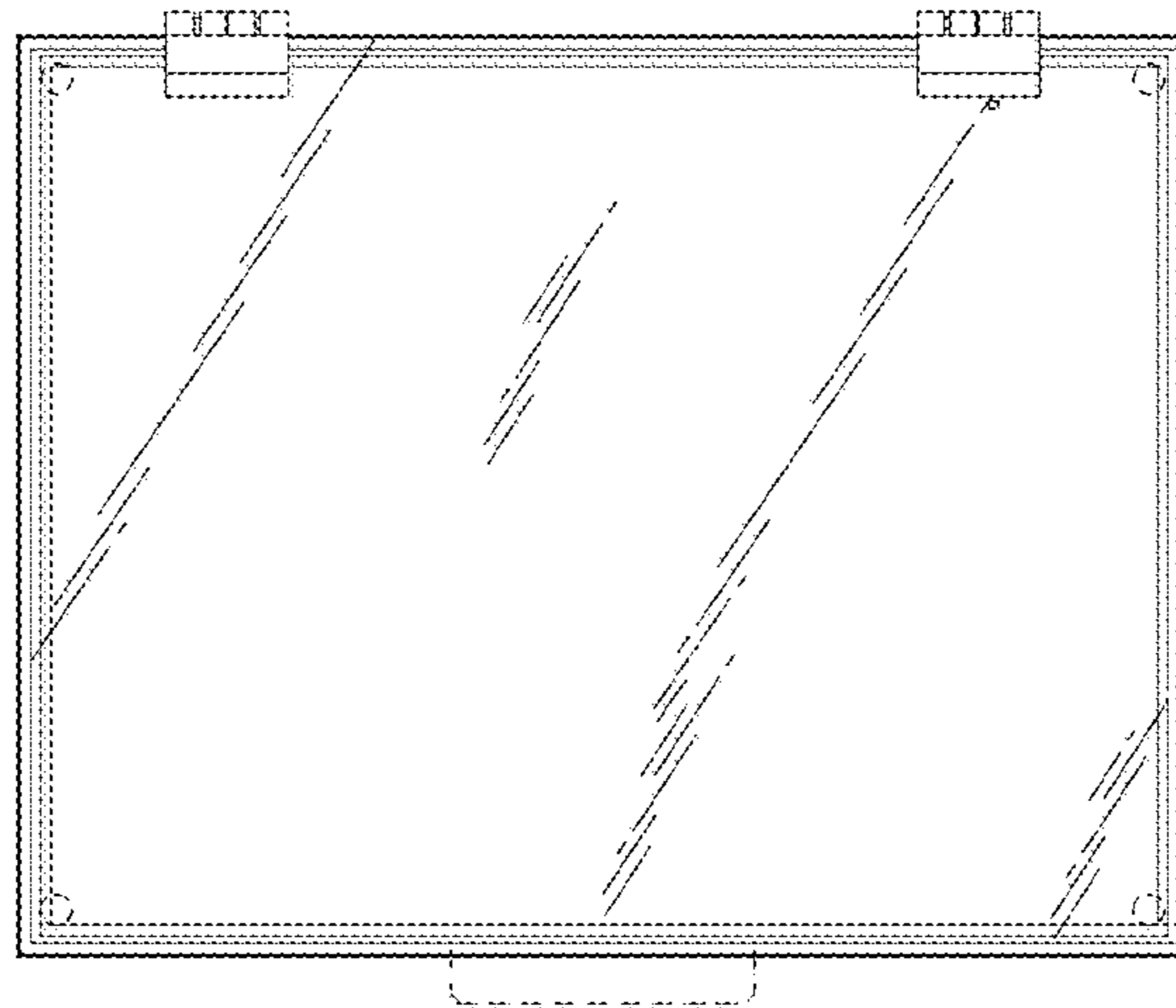


FIG. 3

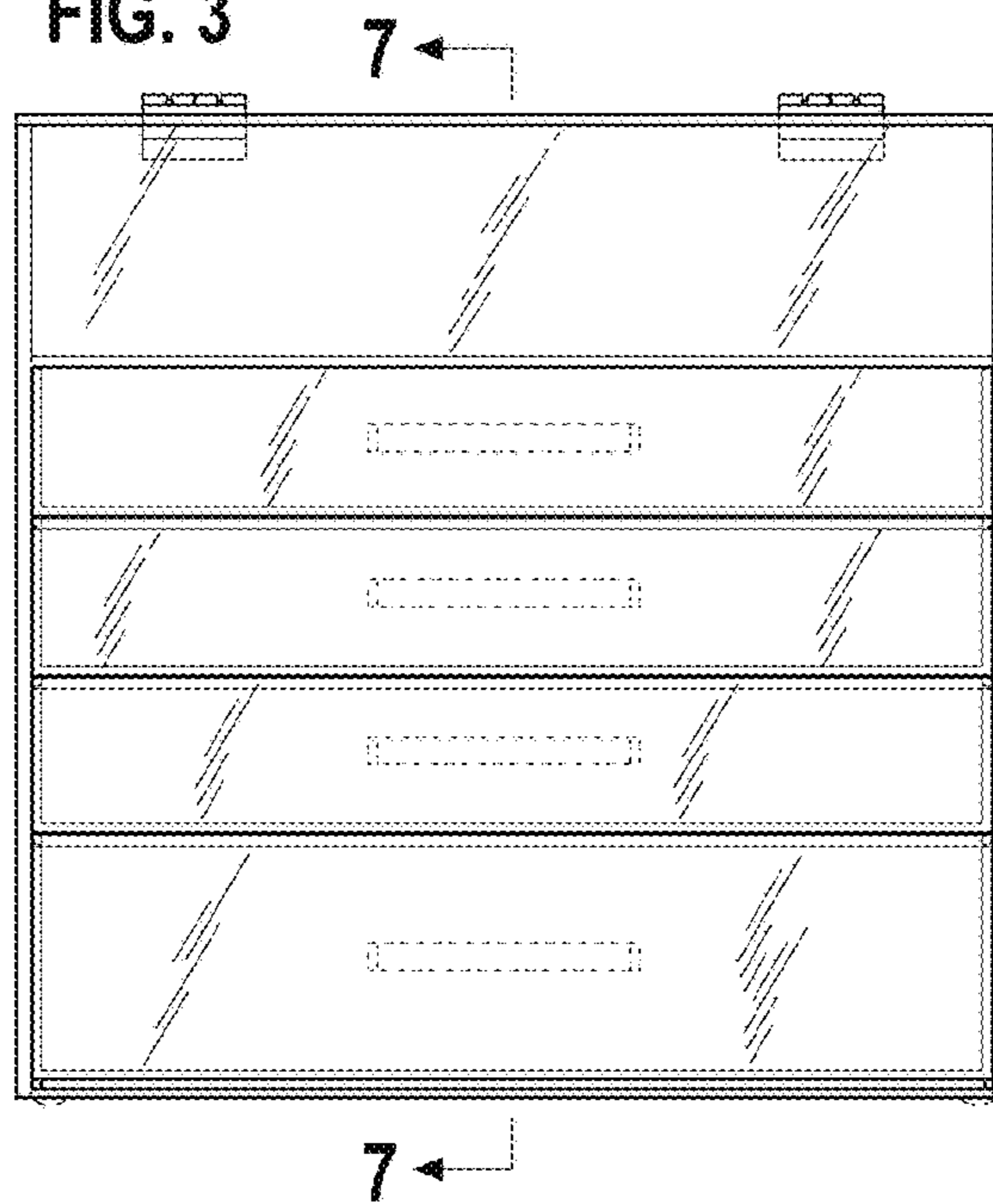


FIG. 4

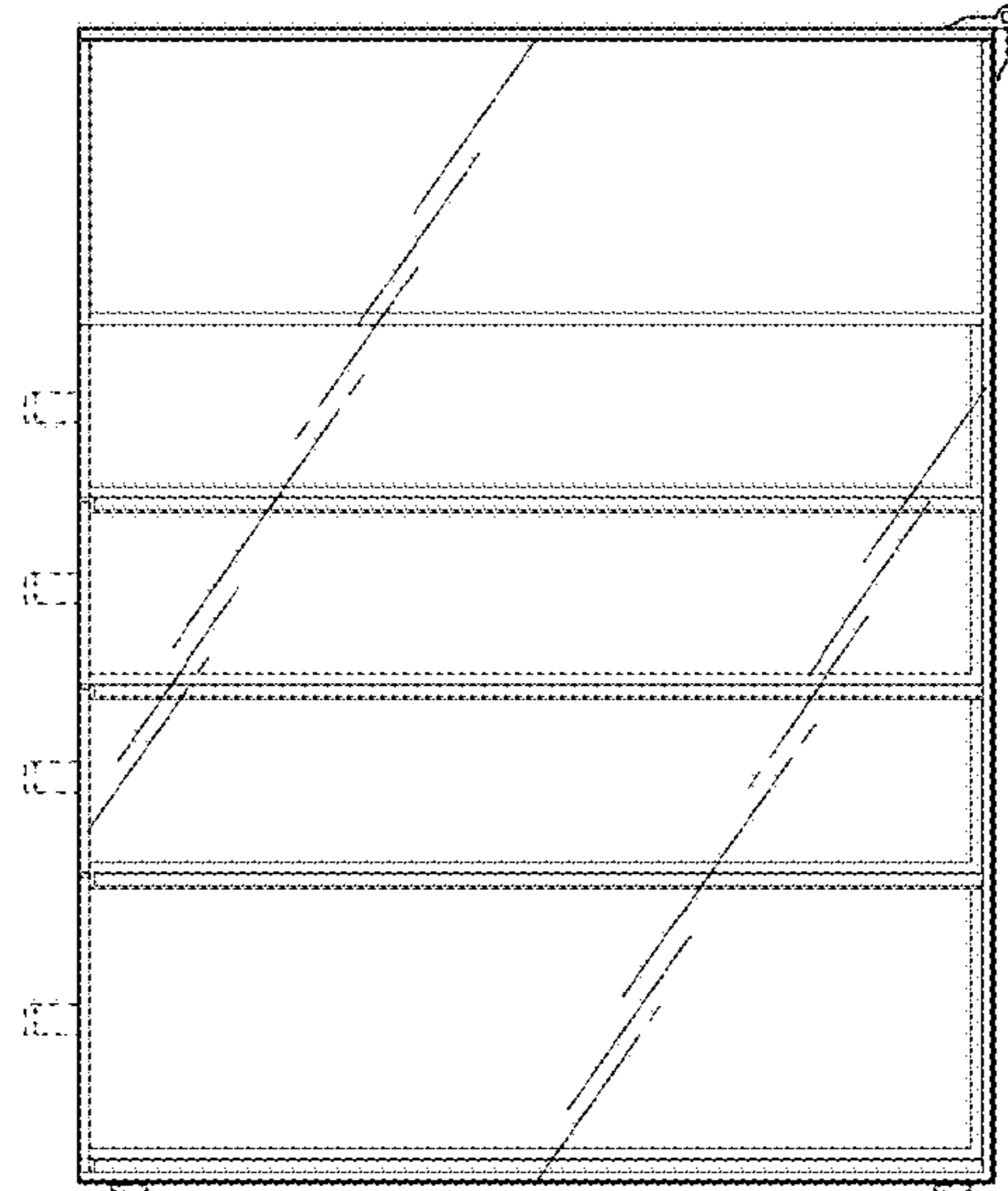


FIG. 5

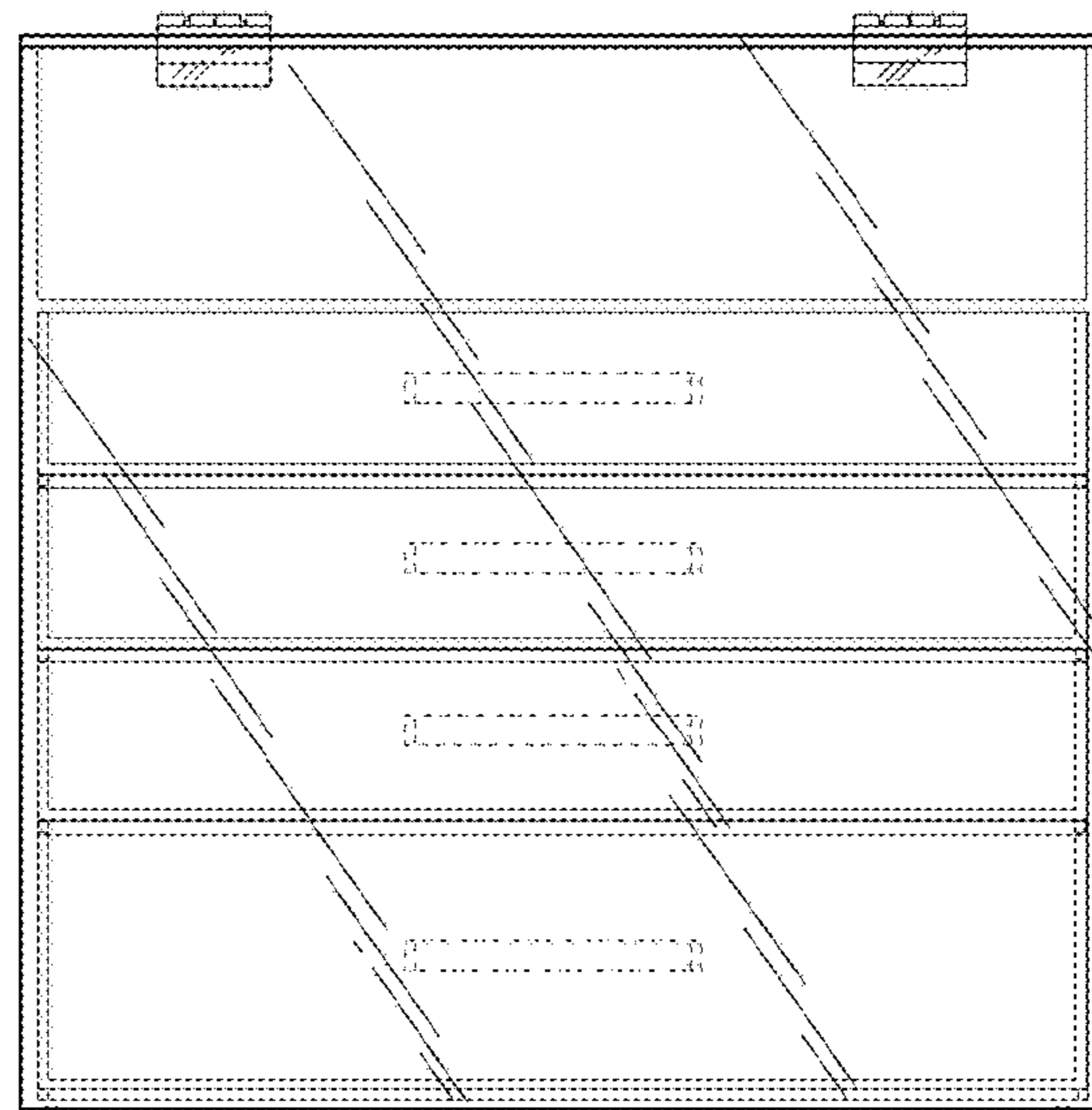


FIG. 6

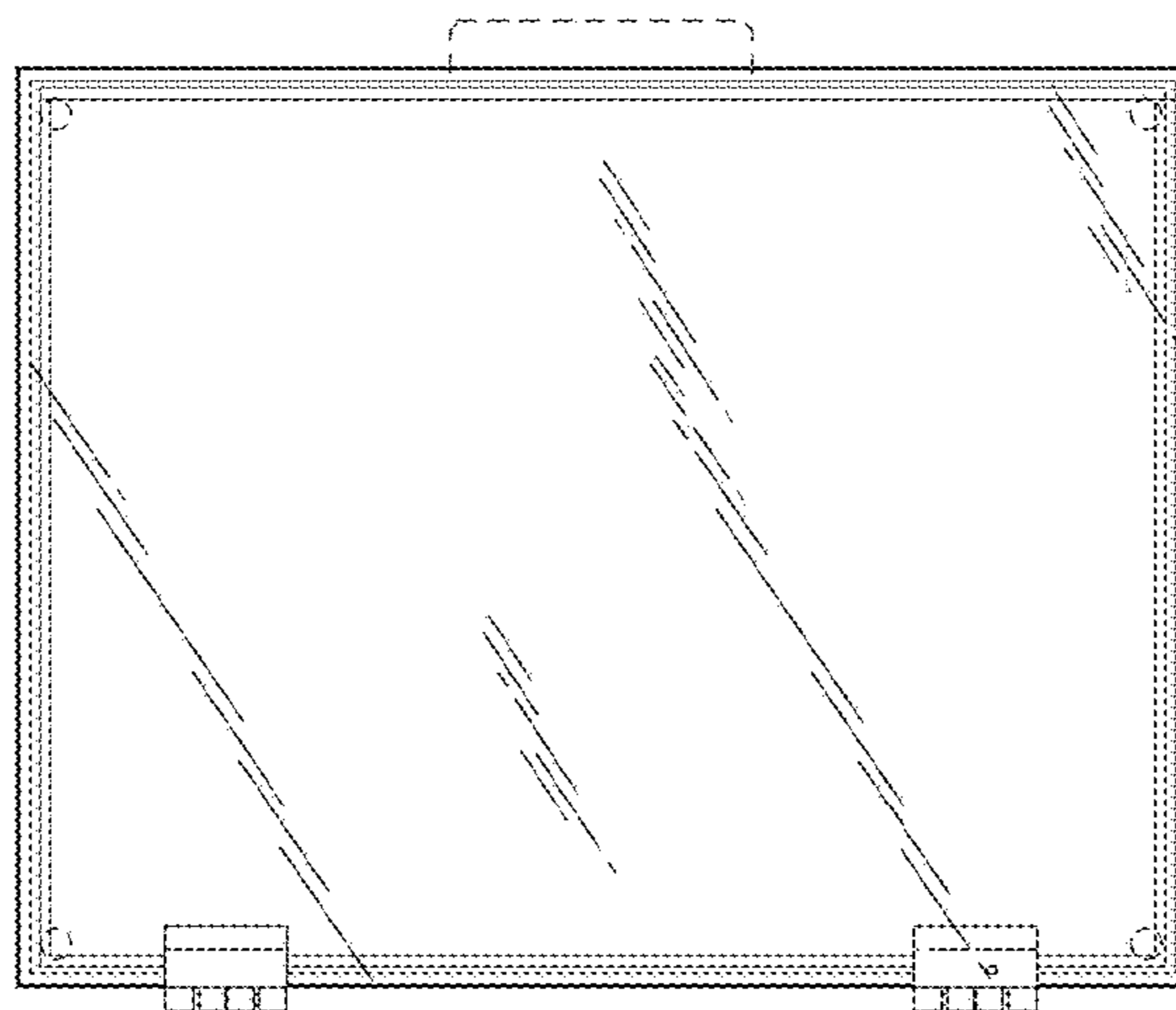


FIG. 7

