



US00D869161S

(12) **United States Design Patent**
Zhong

(10) **Patent No.:** **US D869,161 S**

(45) **Date of Patent:** **** Dec. 10, 2019**

(54) **WATERPROOF COVER FOR WIRELESS HEADSET**

(71) Applicant: **SHENZHEN AFREEZON INNOVATION TECHNOLOGY CO., LTD.**, Shenzhen (CN)

(72) Inventor: **Jin-Yan Zhong**, Shenzhen (CN)

(73) Assignee: **SHENZHEN AFREEZON INNOVATION TECHNOLOGY CO., LTD.**, Shenzhen (CN)

(**) Term: **15 Years**

(21) Appl. No.: **29/650,502**

(22) Filed: **Jun. 7, 2018**

(51) **LOC (12) Cl.** **03-01**

(52) **U.S. Cl.**
USPC **D3/294**

(58) **Field of Classification Search**

USPC D16/200, 202–206, 208, 218, 219, 242;
D12/193; D3/267, 269, 294

CPC G03B 17/02; G03B 19/04; G03B 17/56;
G03B 17/04; G03B 17/03; H04N 17/02;
H04N 19/04; H04N 17/56; H04N 17/04;
H04N 17/03; H04N 17/2251; H04N
17/2252; H04N 17/2253; H04N 17/2254;
H04N 7/181; H04N 7/183; H04N 7/18

See application file for complete search history.

(56) **References Cited**

U.S. PATENT DOCUMENTS

D606,307 S * 12/2009 Gauss D3/215
D633,507 S * 3/2011 Nelson D14/484.1

D806,388 S * 1/2018 Akana D3/294
D818,268 S * 5/2018 Akana D3/294
D834,301 S * 11/2018 Poissant D3/201
D849,401 S * 5/2019 Akana D3/274
D851,913 S * 6/2019 Yu D3/201
D857,373 S * 8/2019 Karsenti D3/201

* cited by examiner

Primary Examiner — Holly E Thurman

(74) *Attorney, Agent, or Firm* — ScienBiziP, P.C.

(57) **CLAIM**

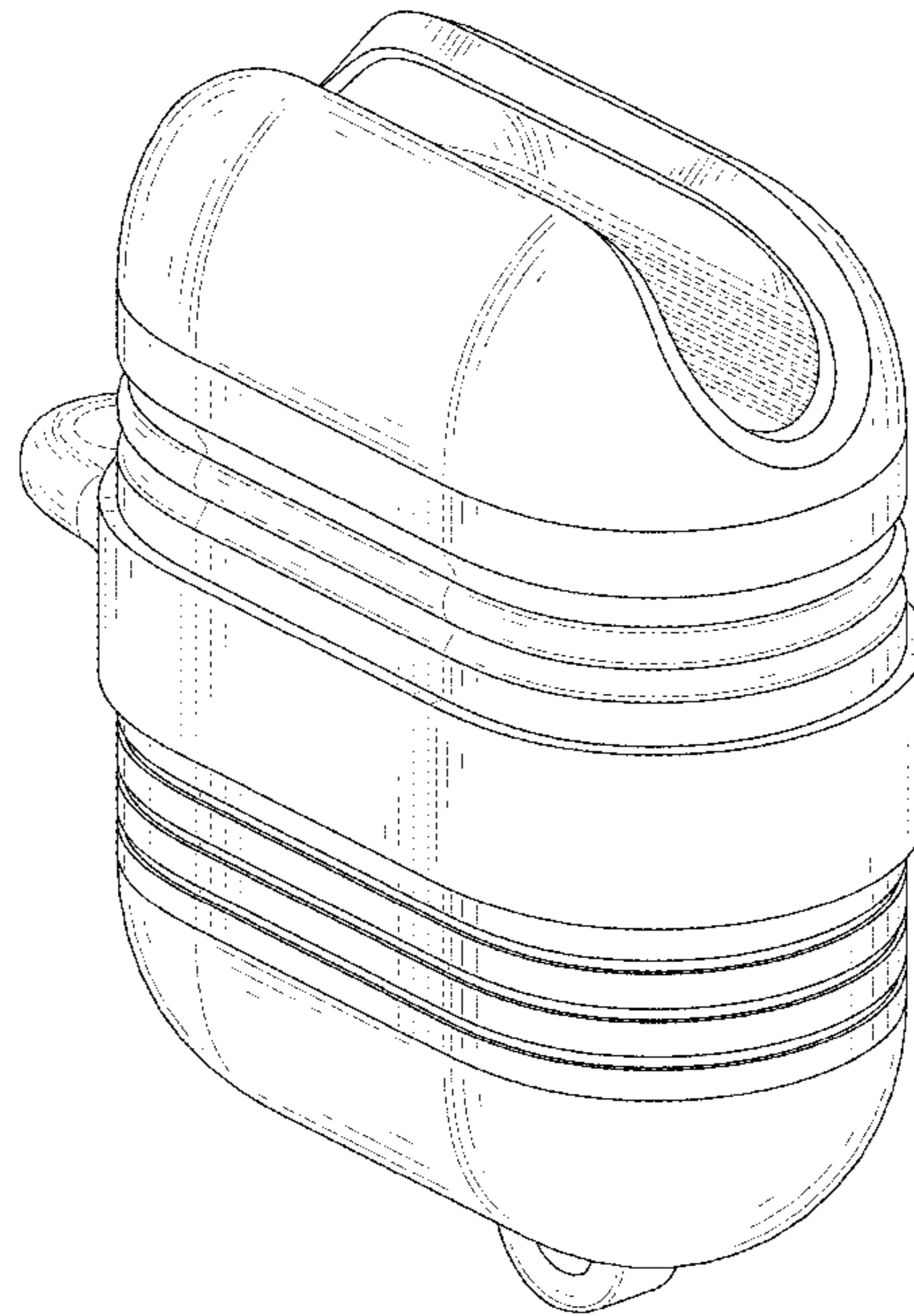
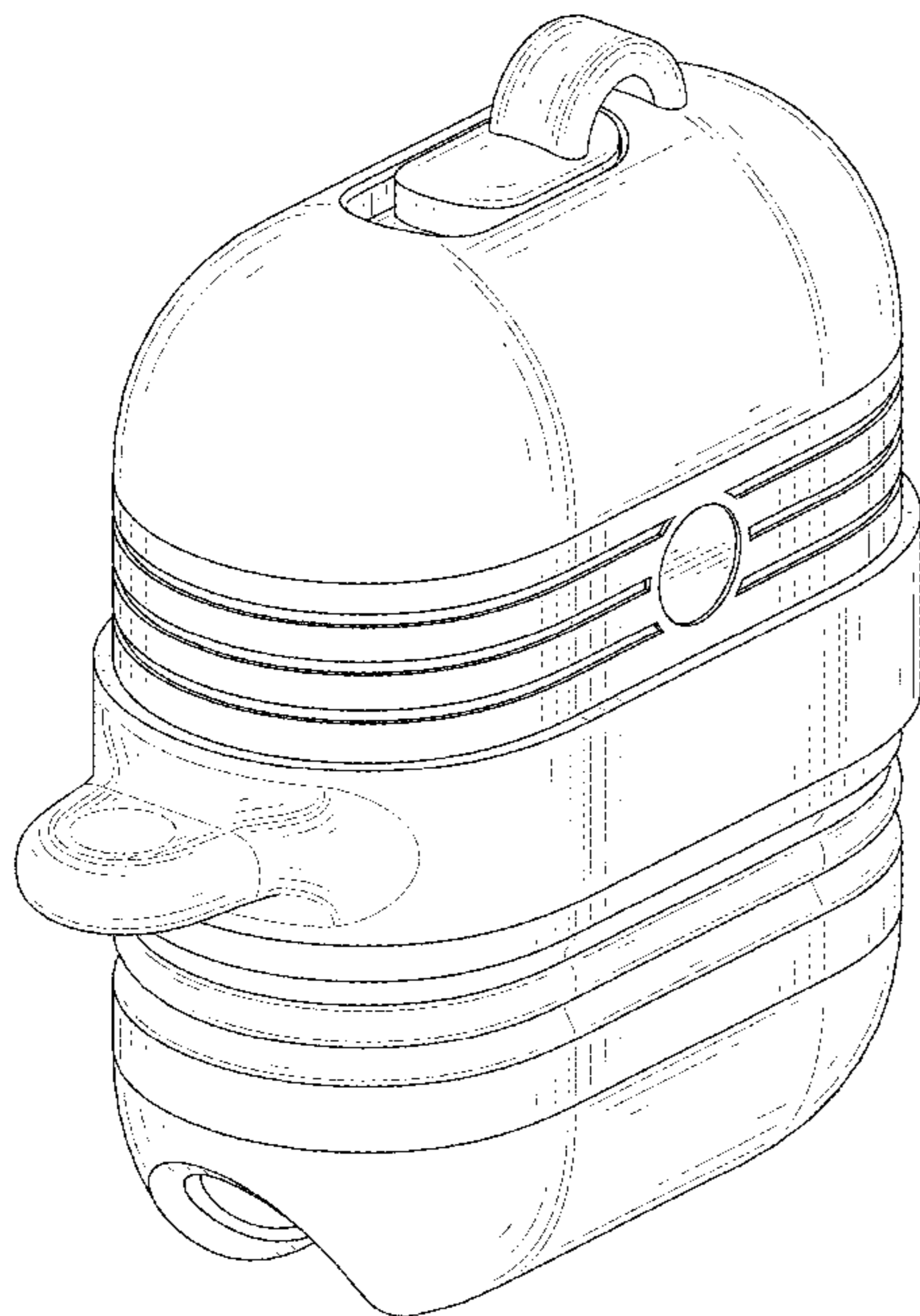
The ornamental design for a waterproof cover for wireless headset, as shown and described.

DESCRIPTION

FIG. 1 is a first perspective view of an embodiment of a waterproof cover for wireless headset, showing my design; FIG. 2 is a second perspective view thereof; FIG. 3 is a front elevation view thereof; FIG. 4 is a rear elevation view thereof; FIG. 5 is a left side elevation view thereof; FIG. 6 is a right side elevation view thereof; FIG. 7 is a top plan view thereof; FIG. 8 is a bottom plan view thereof; and, FIG. 9 is a perspective view of thereof in an environment in which it may be used.

The broken lines in the drawings depict unclaimed portions of the waterproof cover for wireless headset and form no part of the claimed design.

1 Claim, 9 Drawing Sheets



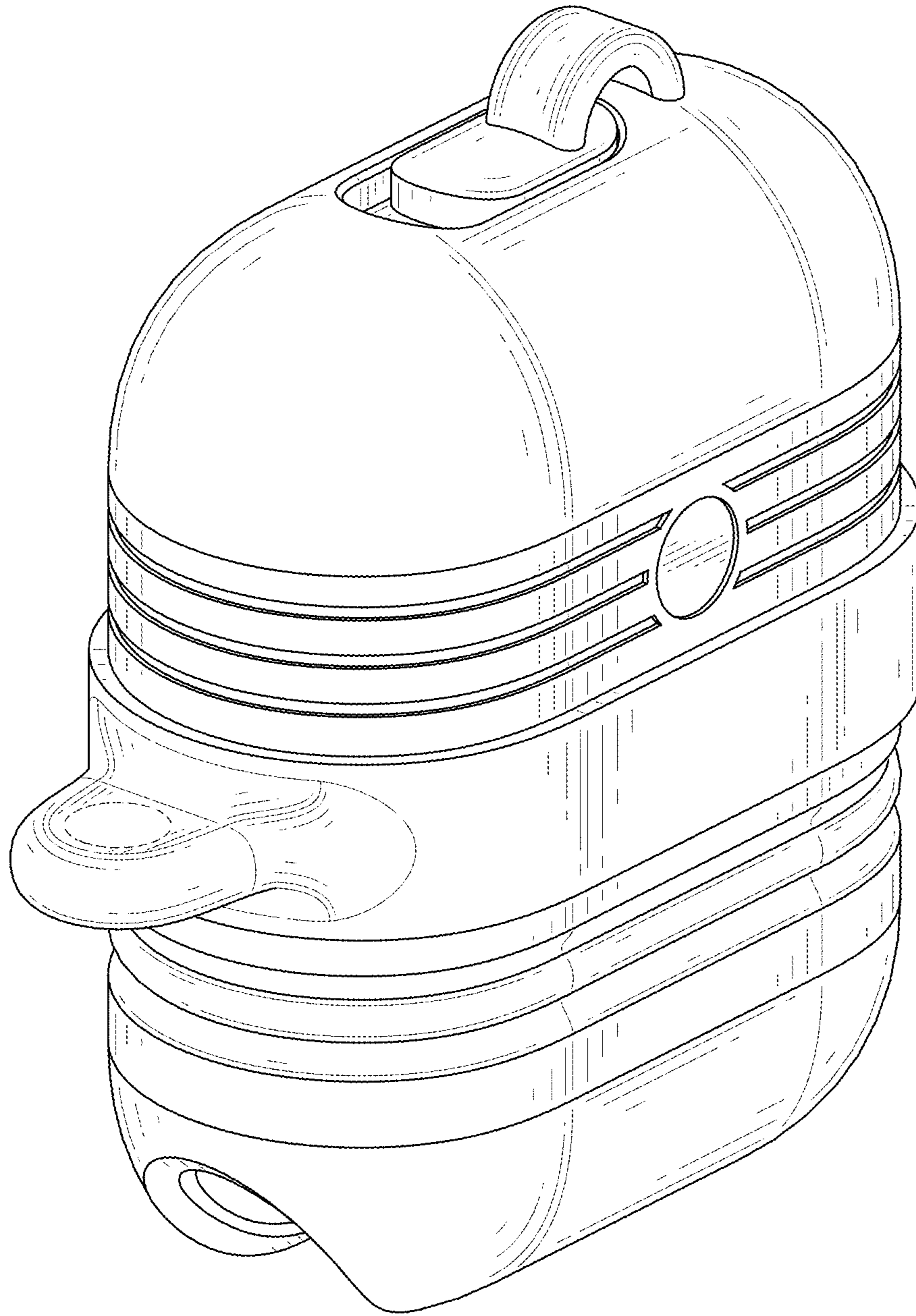


FIG. 1

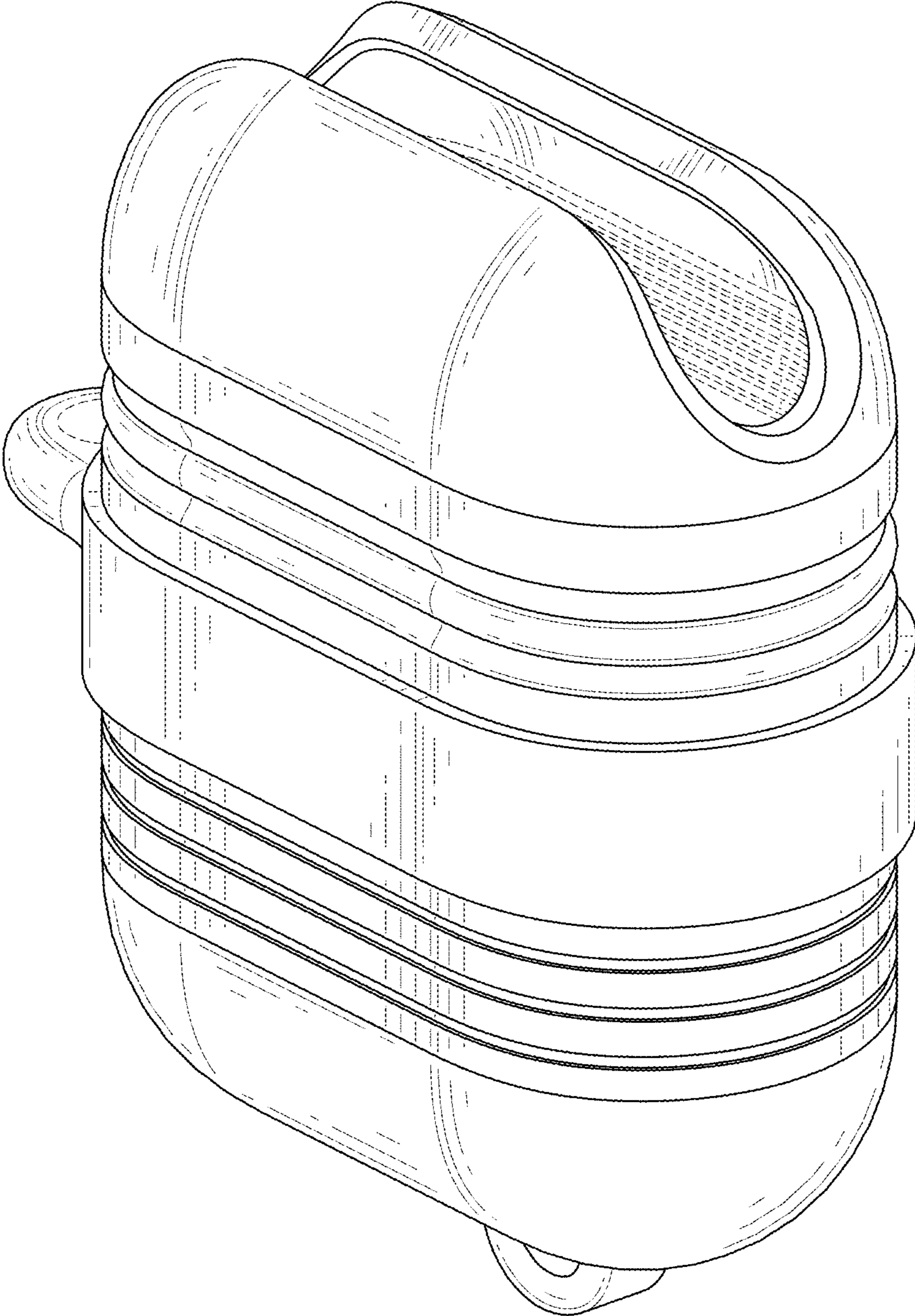


FIG. 2

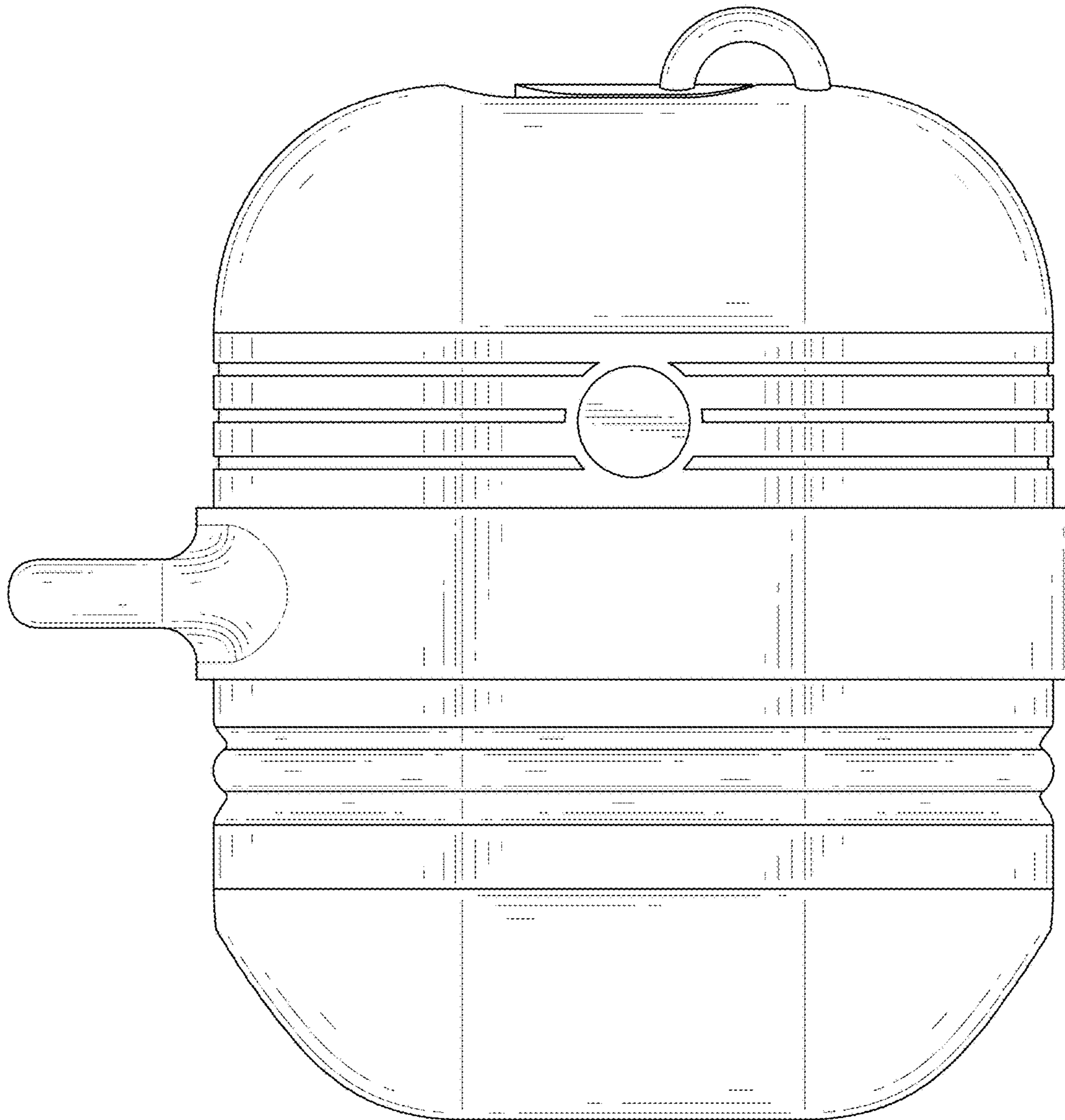


FIG. 3

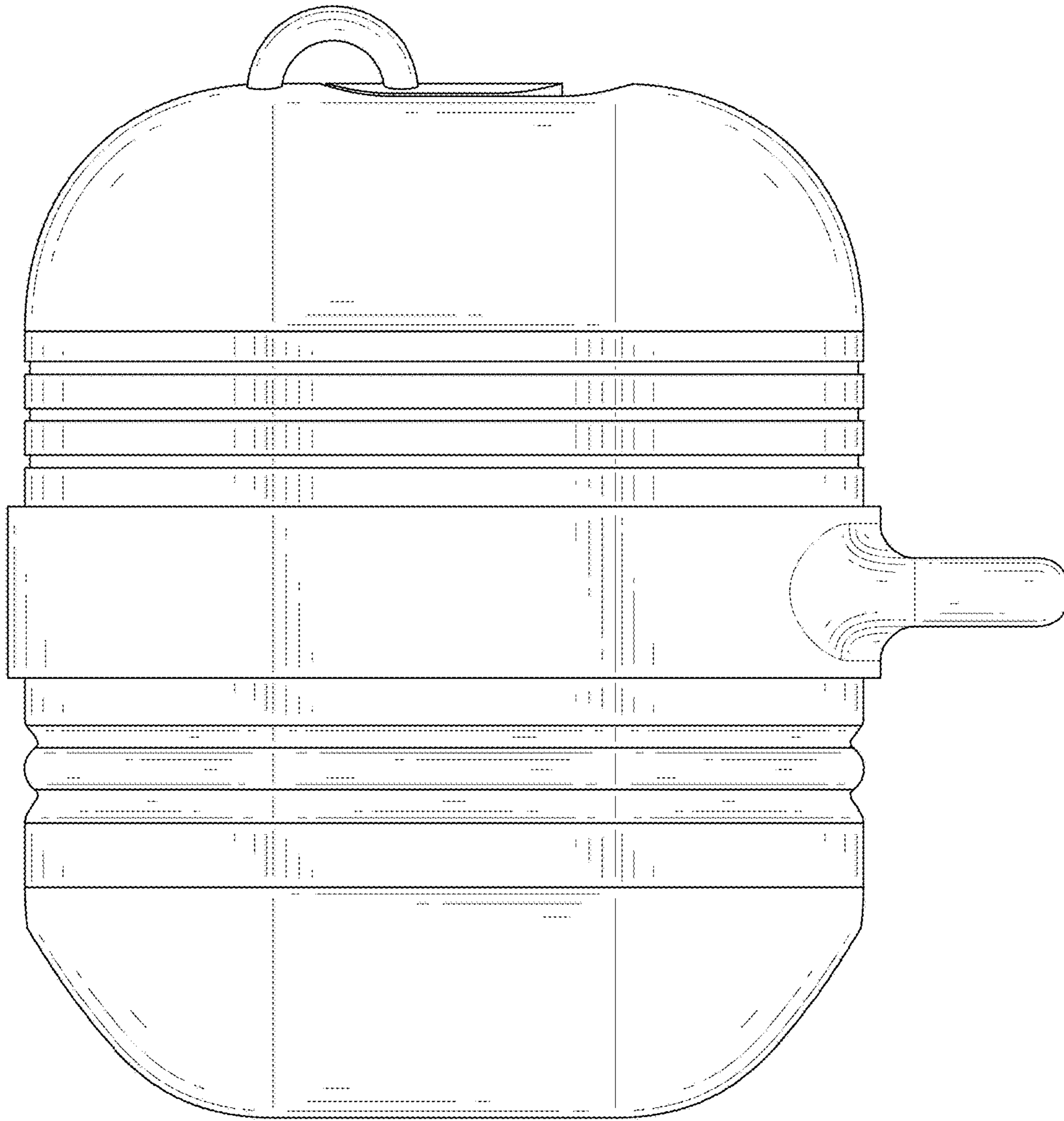


FIG. 4

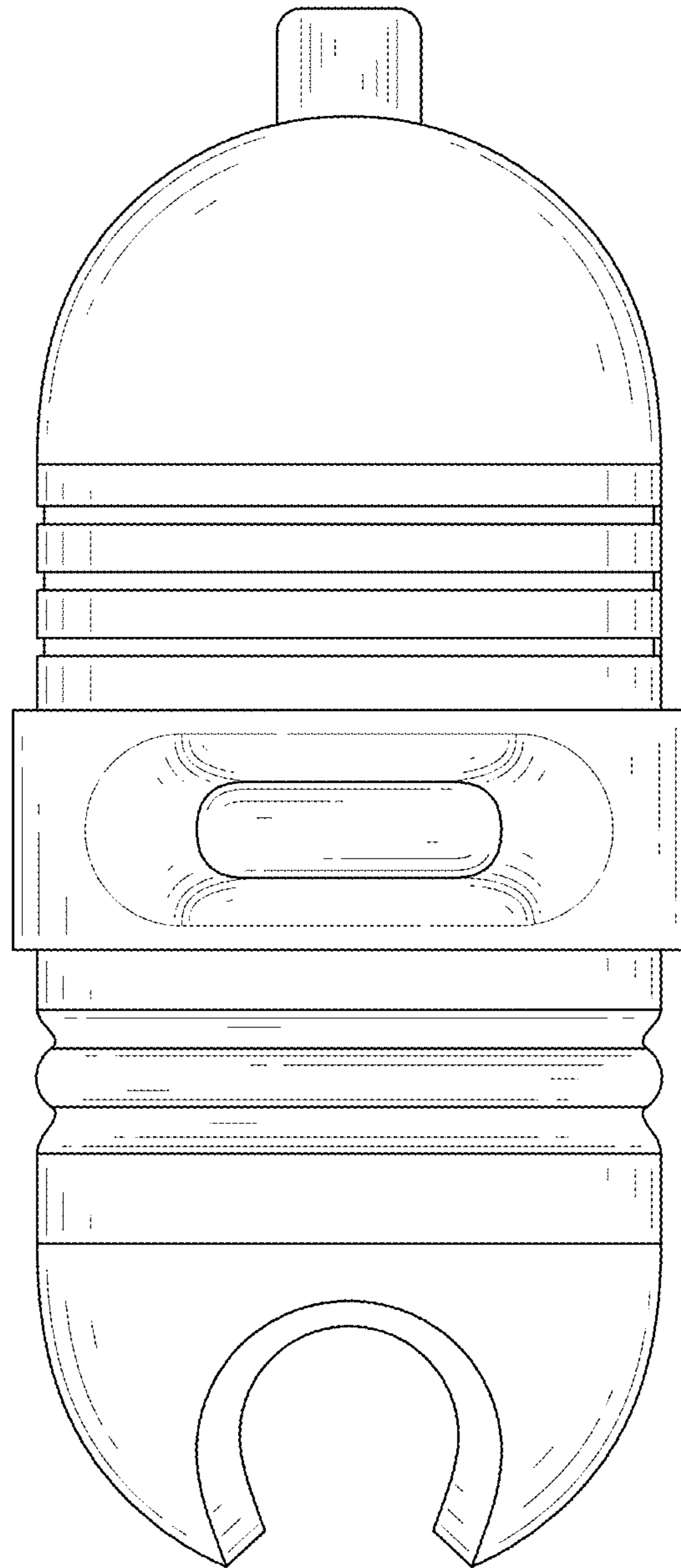


FIG. 5

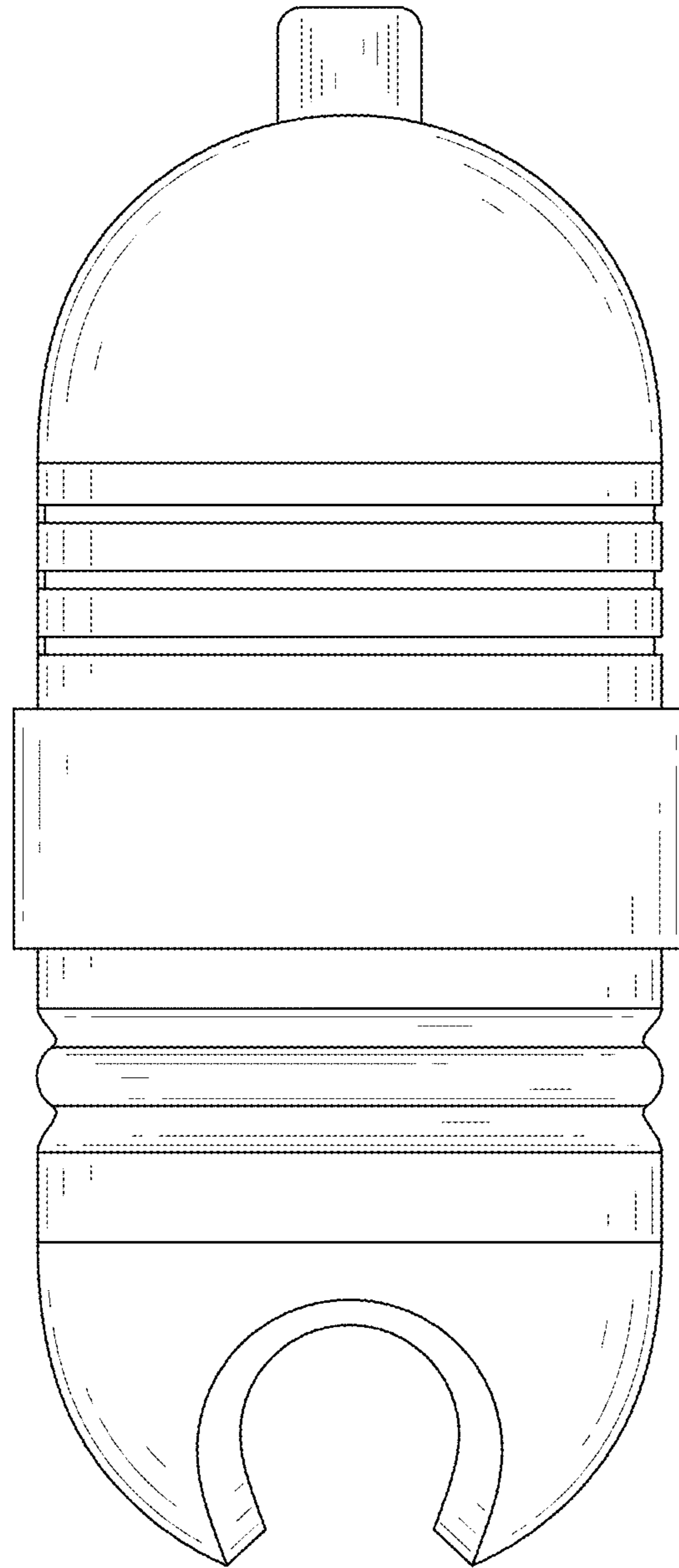


FIG. 6

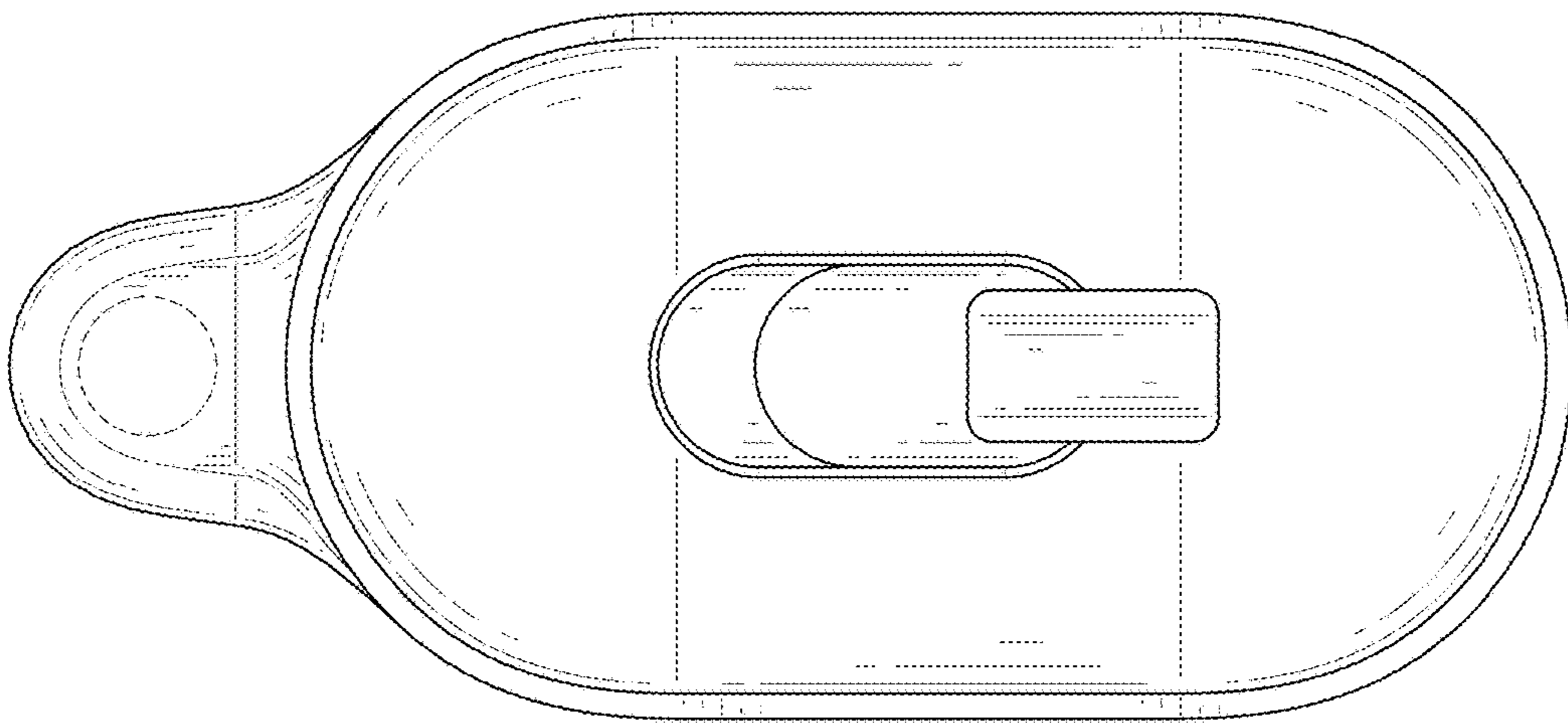


FIG. 7

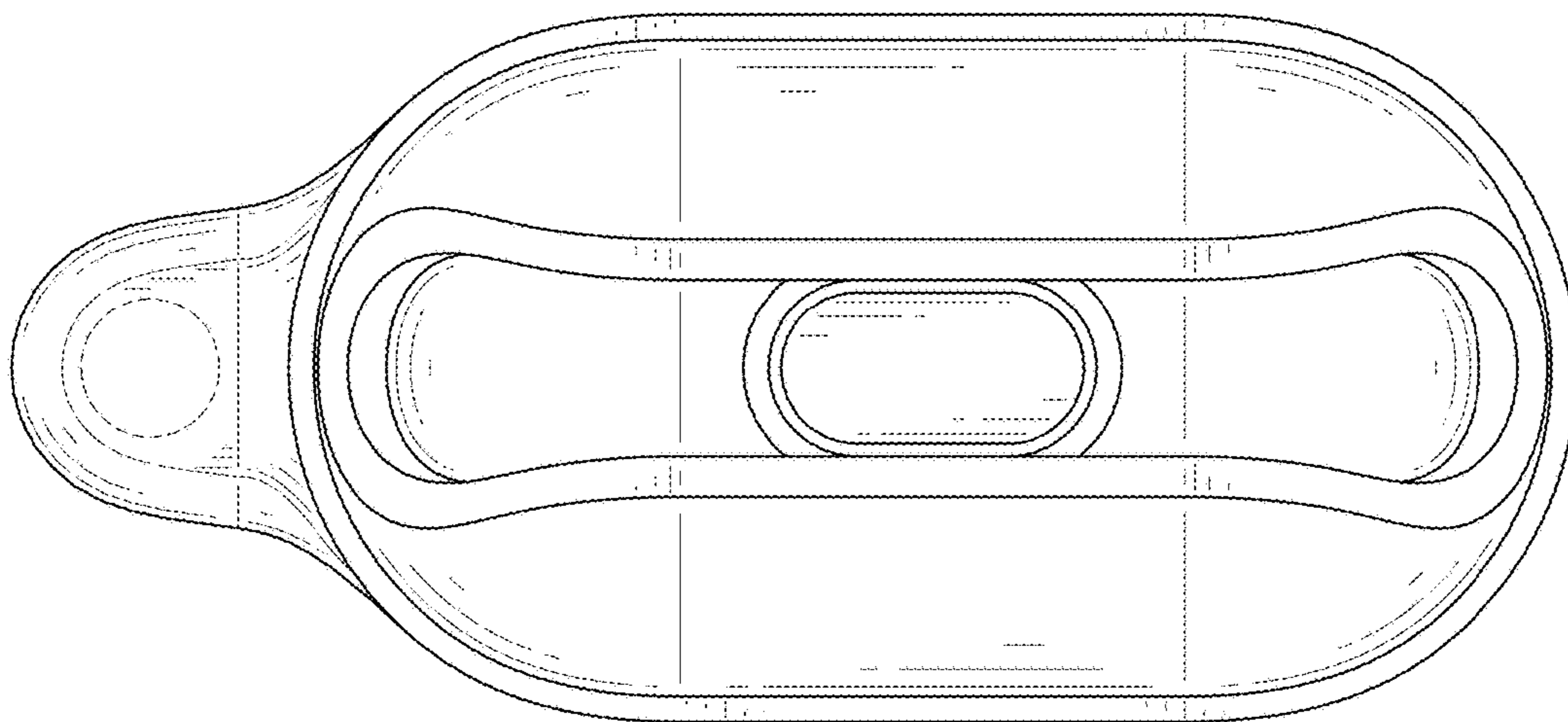


FIG. 8

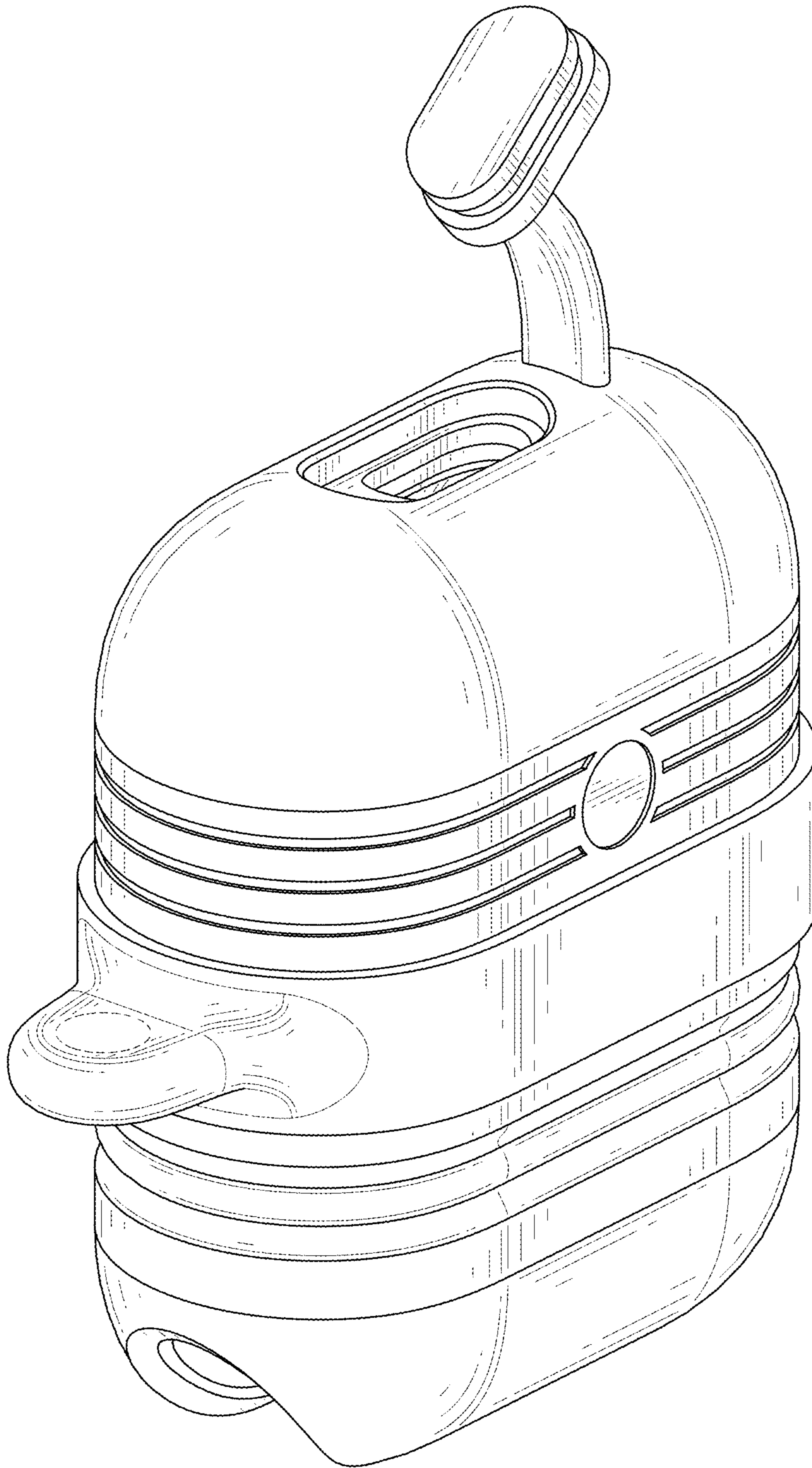


FIG. 9

UNITED STATES PATENT AND TRADEMARK OFFICE
CERTIFICATE OF CORRECTION

PATENT NO. : D869,161 S
APPLICATION NO. : 29/650502
DATED : December 10, 2019
INVENTOR(S) : Zhong

Page 1 of 1

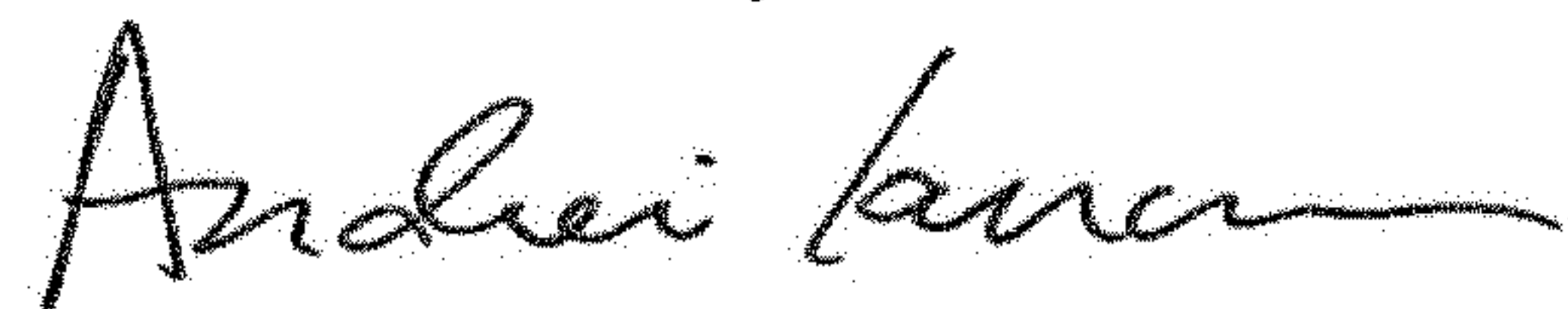
It is certified that error appears in the above-identified patent and that said Letters Patent is hereby corrected as shown below:

On the Title Page

Item (71) regarding "Applicant" should read as follows:

(71) SHENZHEN AFREEZON INNOVATION TECHNOLOGY CO., LTD., Shenzhen (CN)

Signed and Sealed this
Sixteenth Day of June, 2020



Andrei Iancu
Director of the United States Patent and Trademark Office