



US00D869160S

(12) **United States Design Patent** (10) **Patent No.:** **US D869,160 S**
Seiders et al. (45) **Date of Patent:** **** Dec. 10, 2019**

(54) **CONTAINER**

FOREIGN PATENT DOCUMENTS

(71) Applicant: **YETI Coolers, LLC**, Austin, TX (US)

CA 77273 A 9/1902
CH 365631 A 11/1962

(72) Inventors: **Roy Joseph Seiders**, Rollingwood, TX (US); **Steve Charles Nichols**, Austin, TX (US); **Kyle Ellison**, Austin, TX (US); **Andy Bondhus**, Austin, TX (US); **Tobias Hotchkiss**, Austin, TX (US); **Liza Morris**, Austin, TX (US); **Dennis Zuck**, Austin, TX (US); **Ryan Nixon**, Austin, TX (US)

(Continued)

OTHER PUBLICATIONS

(73) Assignee: **YETI Coolers, LLC**, Austin, TX (US)

Pelican Elite 50 Quart Cooler, available Nov. 9, 2016, [online], [site visited Mar. 31, 2018]. Available from internet, <URL: https://www.amazon.com/Pelican-Elite-Quart-Cooler-White/product-reviews/B01G7KG5PA/ref=cm_cr_getr_d_paging_btm_5?ie=UTF8&reviewerType=all_reviews&sortBy=recent&pageNumber=5> (Year:2016).

(**) Term: **15 Years**

(Continued)

(21) Appl. No.: **29/607,313**

Primary Examiner — Kelley A Donnelly

(22) Filed: **Jun. 12, 2017**

(74) *Attorney, Agent, or Firm* — Banner & Witcoff, Ltd.

(51) **LOC (12) Cl.** **03-01**

(52) **U.S. Cl.**
USPC **D3/276**

(58) **Field of Classification Search**
USPC D3/905, 276, 291, 294–295, 298, 302,
D3/272, 273, 274
CPC B25H 3/00; B25H 3/003; B25H 3/006;
B25H 3/02

See application file for complete search history.

(57) **CLAIM**

The ornamental design for a container, as shown and described.

DESCRIPTION

FIG. 1 is a top, front, right perspective view of a container showing our new design in an open configuration; FIG. 2 is a front view thereof; FIG. 3 is a rear view thereof; FIG. 4 is a right side view thereof; FIG. 5 is a left side view thereof; FIG. 6 is a top view thereof; and, FIG. 7 is a bottom view thereof.

The broken lines immediately adjacent to the shaded area represent unclaimed boundaries of the design. The uneven-length broken lines represent unclaimed boundaries of the claimed design. The even-length broken lines showing the remainder of the container represent unclaimed subject matter and form no part of the claimed design.

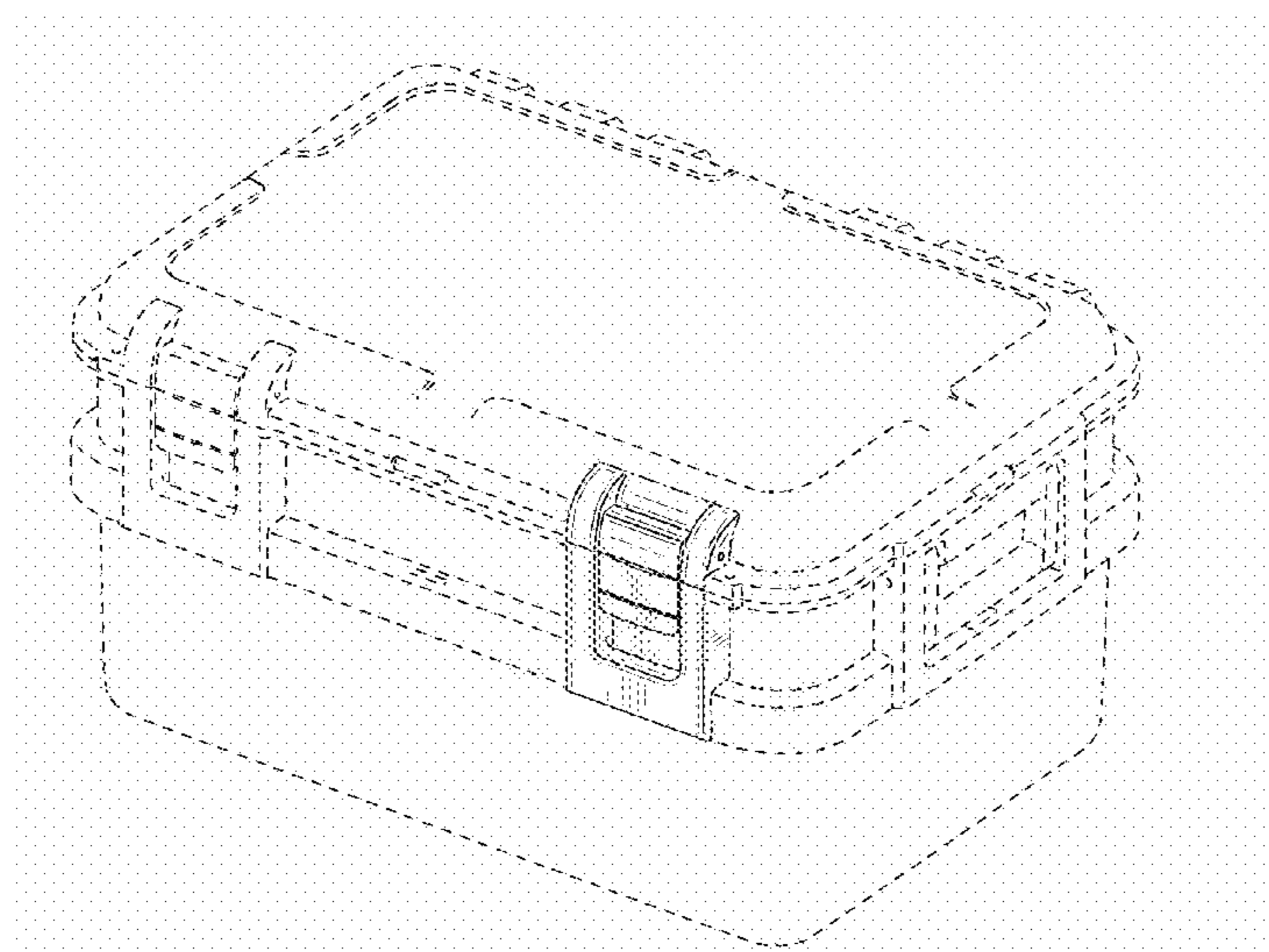
(56) **References Cited**

U.S. PATENT DOCUMENTS

286,909 A 10/1883 Commander
2,101,337 A 12/1937 Komenak
2,109,928 A 3/1938 Passalaqua
2,647,653 A 8/1953 Dube
2,717,093 A 9/1955 Mautner
2,747,732 A 5/1956 Fischer
2,803,956 A 8/1957 Womer
2,869,909 A 1/1959 Harling
2,931,205 A 4/1960 Schmitz
2,936,189 A 5/1960 Pearson

(Continued)

1 Claim, 7 Drawing Sheets



(56)

References Cited

U.S. PATENT DOCUMENTS

3,191,244 A 6/1965 Burke
3,202,310 A 8/1965 Tibbets
3,250,558 A 5/1966 McClintock
3,259,412 A 7/1966 Wheeler
3,416,701 A 12/1968 Kramer et al.
3,432,025 A 3/1969 Luhe
3,661,410 A 5/1972 Larson et al.
3,688,942 A 9/1972 Mitchell et al.
3,690,708 A 9/1972 Worley et al.
3,741,433 A 6/1973 Bentley et al.
3,847,423 A 11/1974 Gley
3,902,628 A 9/1975 Schurman
4,116,479 A 9/1978 Poe
4,153,178 A 5/1979 Weavers
D257,218 S 10/1980 Eriksson
4,249,760 A 2/1981 Conley
4,446,705 A 5/1984 Loucks
4,476,988 A 10/1984 Tanner
4,592,482 A 6/1986 Seager
4,662,188 A 5/1987 Hullihan
4,746,008 A 5/1988 Heverly et al.
4,768,815 A 9/1988 Harmon
4,899,904 A 2/1990 Dooley et al.
4,904,007 A 2/1990 Woodruff
4,917,261 A 4/1990 Borst
4,930,649 A 6/1990 Moser
4,975,073 A 12/1990 Weisman
4,982,863 A 1/1991 Skillius
5,024,471 A 6/1991 Kahl et al.
5,040,834 A 8/1991 Kahl et al.
5,044,513 A 9/1991 Van Berne
5,080,250 A 1/1992 Dickinson et al.
5,111,920 A 5/1992 Castelli et al.
5,153,561 A 10/1992 Johnson
5,169,018 A 12/1992 Fiore
D333,775 S 3/1993 Krape
5,205,413 A 4/1993 Cautereels et al.
5,213,381 A 5/1993 Anderson
5,216,905 A 6/1993 Sersch et al.
5,235,830 A 8/1993 Benge
D340,167 S 10/1993 Kahl
D342,609 S 12/1993 Brightbill
5,269,157 A 12/1993 Ciminelli et al.
5,313,817 A 5/1994 Meinders
5,319,937 A 6/1994 Fritsch et al.
5,322,178 A 6/1994 Foos
5,335,451 A 8/1994 Druzynski
5,353,946 A 10/1994 Behrend
5,373,708 A 12/1994 Dumoulin, Jr.
5,390,811 A 2/1995 Ogino et al.
5,427,308 A 6/1995 Swift et al.
5,435,256 A 7/1995 Svehaug
D361,888 S 9/1995 Kahl et al.
D364,426 S 11/1995 Bucaccio
5,465,985 A 11/1995 Devan et al.
D367,360 S 2/1996 Wolff
D368,161 S 3/1996 Miller
D369,342 S 4/1996 Williams
D369,695 S 5/1996 Imotani
5,518,139 A 5/1996 Trower et al.
D370,619 S 6/1996 Hall et al.
5,526,953 A 6/1996 Chieng
5,564,805 A 10/1996 Dickinson
5,570,915 A 11/1996 Asadurian
5,620,212 A 4/1997 Bourne et al.
5,620,213 A 4/1997 Ellis
5,626,373 A 5/1997 Chambers et al.
5,630,630 A 5/1997 Price et al.
D380,369 S 7/1997 Antonucci
D381,512 S 7/1997 Green
D382,114 S 8/1997 Dickinson et al.
D383,306 S 9/1997 Pennoyer
5,683,097 A 11/1997 Fenton et al.
5,688,001 A 11/1997 Klein et al.
5,704,158 A 1/1998 Whiteaker
5,718,350 A 2/1998 Williams
5,727,844 A 3/1998 O'Quinn et al.
5,732,987 A 3/1998 Wright et al.
5,755,311 A 5/1998 Younessian et al.
5,762,411 A 6/1998 Yemini
5,797,488 A 8/1998 Yemini
5,826,718 A 10/1998 Ahem, Jr. et al.
5,860,281 A 1/1999 Coffee et al.
5,875,948 A 3/1999 Sadler
5,887,745 A 3/1999 Wood
5,901,571 A 5/1999 Whaley
5,904,269 A 5/1999 Wolff
5,934,716 A 8/1999 Koveal et al.
5,950,368 A 9/1999 Bradford
5,957,321 A 9/1999 Jones
D414,673 S 10/1999 Dickinson et al.
5,971,218 A 10/1999 Le
5,975,334 A 11/1999 Mayo
5,984,382 A 11/1999 Bourne et al.
5,988,658 A 11/1999 Ritchie et al.
D419,767 S 2/2000 Richardson et al.
D419,768 S 2/2000 Richardson et al.
6,079,754 A 6/2000 Alexy
D427,882 S 7/2000 Wytcherley et al.
6,105,767 A 8/2000 Vasudeva
6,129,231 A 10/2000 Hsiao et al.
6,152,501 A 11/2000 Magi et al.
D435,780 S 1/2001 Tieu
6,176,559 B1 1/2001 Tiramani et al.
D441,954 S 5/2001 Parker
6,244,064 B1 6/2001 Powell
6,244,066 B1 6/2001 LaRose
6,244,458 B1 6/2001 Frysinger et al.
6,279,971 B1 8/2001 Dessenberger, Jr.
6,289,684 B1 9/2001 Guidry, II et al.
6,305,185 B1 10/2001 Sloan
D451,278 S 12/2001 Cooper
6,343,815 B1 2/2002 Poe
D454,292 S 3/2002 Plummer et al.
6,371,320 B2 4/2002 Sagol
6,398,272 B1 6/2002 Plummer et al.
6,422,386 B1 7/2002 Wiese et al.
6,427,501 B2 8/2002 Ramsauer
D462,519 S 9/2002 Gaydos et al.
6,446,382 B1 9/2002 Cloutier et al.
D464,485 S 10/2002 Sward et al.
D467,425 S 12/2002 Hardigg et al.
D467,426 S 12/2002 Hardigg et al.
6,497,438 B1 12/2002 Holub et al.
D471,711 S 3/2003 Addison
6,527,309 B1 3/2003 Gaydos et al.
6,547,289 B1 4/2003 Greenheck et al.
6,554,327 B1 4/2003 Riley
6,574,983 B2 6/2003 Smith et al.
6,585,090 B2 7/2003 Harvey
D481,293 S * 10/2003 Ayrest D8/331
D482,593 S 11/2003 Wolf
6,640,397 B1 11/2003 Gipson
6,658,903 B1 12/2003 McShane et al.
6,691,451 B1 2/2004 Keenan
D489,595 S * 5/2004 Gleichauf D8/336
6,736,265 B2 5/2004 Kipper et al.
D490,980 S 6/2004 Concari
D491,797 S 6/2004 Eriksson
D492,184 S * 6/2004 Parker D8/331
6,755,448 B2 6/2004 Jackson et al.
D493,286 S 7/2004 Concari
6,761,366 B1 7/2004 Klemmensen et al.
6,779,681 B2 8/2004 Doerfler et al.
6,789,692 B2 9/2004 Prezelin
6,793,096 B1 9/2004 Seok
D505,011 S 5/2005 Einav
6,895,789 B2 5/2005 Masseth, Jr. et al.
6,929,145 B2 8/2005 Shepler
6,955,381 B2 10/2005 Parker et al.
6,981,780 B2 1/2006 Einav
6,983,946 B2 1/2006 Sullivan et al.
7,017,740 B2 3/2006 Itzkovitch
D520,237 S * 5/2006 Cheng D3/276

(56)

References Cited

U.S. PATENT DOCUMENTS

- 9,387,963 B2 7/2016 McBroom et al.
 9,393,684 B2 7/2016 Christopher et al.
 9,415,787 B2 8/2016 Mericle
 D765,973 S 9/2016 Tonelli et al.
 9,435,578 B2 9/2016 Calderon et al.
 D768,464 S 10/2016 Hatton
 D773,901 S * 12/2016 Marret D7/629
 D777,530 S * 1/2017 Marret D7/629
 D778,707 S * 2/2017 Tonelli D8/330
 D779,201 S * 2/2017 Beilman D3/284
 9,567,784 B2 2/2017 Defrance et al.
 9,637,294 B2 * 5/2017 Kinsky B65D 81/02
 D807,123 S 1/2018 Carey et al.
 D807,124 S 1/2018 Carey et al.
 D808,653 S 1/2018 Rayeski et al.
 9,878,841 B2 1/2018 Holderness et al.
 D810,432 S 2/2018 Ballou et al.
 D810,433 S * 2/2018 Ballou D3/276
 D811,084 S 2/2018 Ballou et al.
 D811,742 S 3/2018 Ballou et al.
 D811,744 S 3/2018 Ballou et al.
 D814,187 S * 4/2018 Caglar D3/276
 D815,831 S 4/2018 Tonelli
 D815,919 S 4/2018 DeFrancia
 D819,331 S * 6/2018 Ballou D3/276
 D820,049 S 6/2018 Ahlstrom et al.
 D821,824 S 7/2018 Rane et al.
 D828,028 S 9/2018 Seiders et al.
 D828,029 S 9/2018 Seiders et al.
 10,088,144 B1 10/2018 Sandberg
 D835,470 S 12/2018 Seiders et al.
 D835,472 S 12/2018 Seiders et al.
 D835,946 S 12/2018 Seiders et al.
 D836,993 S 1/2019 Meda et al.
 D837,515 S 1/2019 Shpitzer
 D838,983 S 1/2019 Seiders et al.
 D838,984 S 1/2019 Seiders et al.
 D839,094 S * 1/2019 Giraud D9/499
 D840,150 S 2/2019 Seiders et al.
 2002/0162841 A1 11/2002 Shamir et al.
 2002/0185871 A1 12/2002 Straka
 2002/0195827 A1 12/2002 Jackson et al.
 2003/0038142 A1 2/2003 Gee
 2003/0106821 A1 6/2003 Bar-Erez
 2004/0016854 A1 1/2004 Hart
 2004/0040967 A1 3/2004 Eiskant et al.
 2004/0178208 A1 9/2004 Leba et al.
 2004/0246695 A1 12/2004 Schlack
 2005/0099019 A1 5/2005 Hall et al.
 2005/0139741 A1 6/2005 Yuen
 2005/0150892 A1 7/2005 Miller
 2005/0199628 A1 9/2005 Van Handel et al.
 2005/0279123 A1 12/2005 Maldonado et al.
 2006/0017293 A1 1/2006 Tonelli
 2006/0042897 A1 3/2006 Sanderson
 2006/0049640 A1 3/2006 Lee
 2006/0249412 A1 11/2006 Hernandez et al.
 2006/0249522 A1 11/2006 Ringo
 2006/0276768 A1 12/2006 Miller et al.
 2007/0039957 A1 2/2007 Shulz et al.
 2007/0101754 A1 5/2007 Maldonado
 2007/0175898 A1 8/2007 Craft et al.
 2007/0235452 A1 10/2007 Killinger et al.
 2008/0001373 A1 1/2008 Vaughn
 2008/0029528 A1 2/2008 Mireault
 2008/0067095 A1 3/2008 Mueller
 2008/0067206 A1 3/2008 Kuhn
 2008/0110892 A1 5/2008 House
 2008/0116215 A1 5/2008 Chuang
 2008/0156858 A1 7/2008 Perry et al.
 2008/0170388 A1 7/2008 Greil
 2008/0190940 A1 8/2008 Scott
 2008/0245095 A1 10/2008 Schlipman et al.
 2008/0264946 A1 10/2008 Moschella et al.
 2009/0009039 A1 1/2009 Mayes, Jr.
 2009/0078593 A1 3/2009 Patstone
 2009/0114646 A1 5/2009 Whalen
 2009/0114653 A1 5/2009 Schenker
 2009/0158770 A1 6/2009 Cohrs et al.
 2009/0173744 A1 7/2009 Hassell
 2009/0277905 A1 11/2009 Gillan
 2010/0133132 A1 6/2010 Allan
 2010/0200784 A1 8/2010 Turner
 2010/0275642 A1 11/2010 Klettner
 2011/0114526 A1 5/2011 Neumann et al.
 2011/0119986 A1 5/2011 Sellers
 2011/0121002 A1 5/2011 Stiller
 2011/0127264 A1 6/2011 Whalen
 2011/0132046 A1 6/2011 Tonelli
 2011/0181008 A1 7/2011 Bensman et al.
 2011/0197625 A1 8/2011 Urban et al.
 2011/0203328 A1 8/2011 Vilkomirski et al.
 2011/0220531 A1 9/2011 Meether et al.
 2011/0226003 A1 9/2011 Chaney et al.
 2011/0226785 A1 9/2011 Sakell
 2012/0104012 A1 5/2012 Cowie et al.
 2012/0168444 A1 7/2012 Shitrit et al.
 2012/0193353 A1 8/2012 Cronin et al.
 2012/0273506 A1 11/2012 Adams et al.
 2012/0286489 A1 11/2012 Bartholomew
 2012/0312708 A1 12/2012 Roehm et al.
 2013/0175276 A1 7/2013 Gleichauf et al.
 2013/0248390 A1 9/2013 Roehm et al.
 2013/0307214 A1 11/2013 Grolier et al.
 2014/0027454 A1 1/2014 Banik
 2014/0062042 A1 3/2014 Wagner et al.
 2014/0069832 A1 3/2014 Roehm
 2014/0151388 A1 6/2014 Culeron et al.
 2014/0158028 A1 6/2014 Adams
 2014/0166516 A1 6/2014 Martinez et al.
 2014/0197059 A1 7/2014 Evans et al.
 2014/0251864 A1 9/2014 Voeller
 2014/0252010 A1 9/2014 Miller
 2014/0265197 A1 9/2014 Russell et al.
 2014/0311361 A1 10/2014 Wangler
 2014/0319147 A1 10/2014 Horovitz et al.
 2015/0034515 A1 2/2015 Monyak et al.
 2015/0069962 A1 3/2015 Dietzel et al.
 2015/0114024 A1 4/2015 Grepper
 2015/0129569 A1 5/2015 Miller
 2015/0209226 A1 7/2015 Priebe et al.
 2015/0233630 A1 8/2015 Bond
 2015/0292840 A1 10/2015 Tobin
 2015/0315532 A1 11/2015 Bergbohm et al.
 2015/0352709 A1 12/2015 Diamond
 2015/0375558 A1 12/2015 Ben-Or
 2015/0375918 A1 12/2015 Holderness et al.
 2016/0023837 A1 1/2016 Furneaux et al.
 2016/0046417 A1 2/2016 Kromer
 2016/0052682 A1 2/2016 Gunnerson et al.
 2016/0083186 A1 3/2016 Wright
 2016/0084454 A1 3/2016 Svitak, Sr. et al.
 2016/0091239 A1 3/2016 Beland
 2016/0138809 A1 5/2016 Colucci et al.
 2016/0244209 A1 8/2016 Hain
 2016/0251124 A1 9/2016 Arnold et al.
 2016/0279840 A1 9/2016 French et al.
 2018/0354687 A1 12/2018 Seiders et al.
 2019/0092530 A1 3/2019 Seiders et al.

FOREIGN PATENT DOCUMENTS

- CN 2073459 U 3/1991
 CN 1112819 A 12/1995
 CN 2813823 Y 9/2006
 CN 203283617 U 11/2013
 CN 201530103483 8/2015
 CN 201530438676 2/2016
 CN 201530438792 2/2016
 CN 201630123602 8/2016
 DE 2020368 A1 11/1971
 DE 4042245 A1 7/1991
 DE 9408707 U1 9/1995
 DE 29516306 U1 2/1997

(56)

References Cited

FOREIGN PATENT DOCUMENTS

DE	19755532	A1	6/1999
DE	202004007996	U1	7/2004
DE	102012025617	A1	10/2013
DE	102013114520	A1	6/2015
EM	002569467-0001		11/2014
EM	002569467-0002		11/2014
EM	002569467-0003		11/2014
EM	002569467-0004		11/2014
EP	0587451	A1	3/1994
EP	0221215	B1	6/1995
EP	1059239	A1	12/2000
EP	1080656	A1	3/2001
EP	2412493	A2	2/2012
GB	854540	A	11/1960
GB	2032814	A	5/1980
GB	2045135	A	10/1980
GB	2047073	A	11/1980
GB	2278874	A	12/1994
GB	2289713	B	12/1997
GB	4037039		10/2014
IN	266778		5/2015
IN	266779-0001		5/2015
IN	276720		2/2016
JP	S57-150175	U	9/1982
JP	S60-164570	A	8/1985
JP	H03-066374	U	6/1991
JP	H07-102842	A	4/1995
JP	H08-093298	A	4/1996
JP	2001-107621	A	4/2001
JP	2001-262907	A	9/2001
JP	D2001-10753		6/2002

JP	D2007-16058		5/2008
JP	D2007-16059		5/2008
KR	3020030024985		9/2003
KR	3020070008850		12/2007
TW	M310869	U	5/2007
WO	D035637-003		2/1996
WO	D036648-008		6/1996
WO	9748613	A1	12/1997
WO	02064445	A1	8/2002
WO	06019314	A1	2/2006
WO	09028960	A1	3/2009
WO	1135559	A1	3/2011
WO	11135559	A1	11/2011
WO	12000497	A1	1/2012
WO	15087357	A1	6/2015
WO	16072912	A1	5/2016
WO	16091570	A1	6/2016

OTHER PUBLICATIONS

Pelican Storm Waterproof Case, available Jul. 27, 2009, [online], [site visited Mar. 31, 2018]. Available from internet, <URL: https://www.amazon.com/dp/B002JB07D8?axitk=EqSpVoa9QpKAGqst7rmxMA&pd_rd_i=B002JB07D8&pf_rd_m=ATVPDKIKX0DER&pf (Year: 2009).

Outdoor Products Small Watertight Dry Box, Blue, available May 31, 2016, [online], [site visited Mar. 31, 2018]. Available from internet, <URL: <https://www.walmart.com/ip/Outdoor-Products-Small-Watertight-Dry-Box-Blue/26674162> (Year: 2016).

Sep. 20, 2018—(WO) International Search Report and Written Opinion—App. PCT/US2018/037100.

* cited by examiner

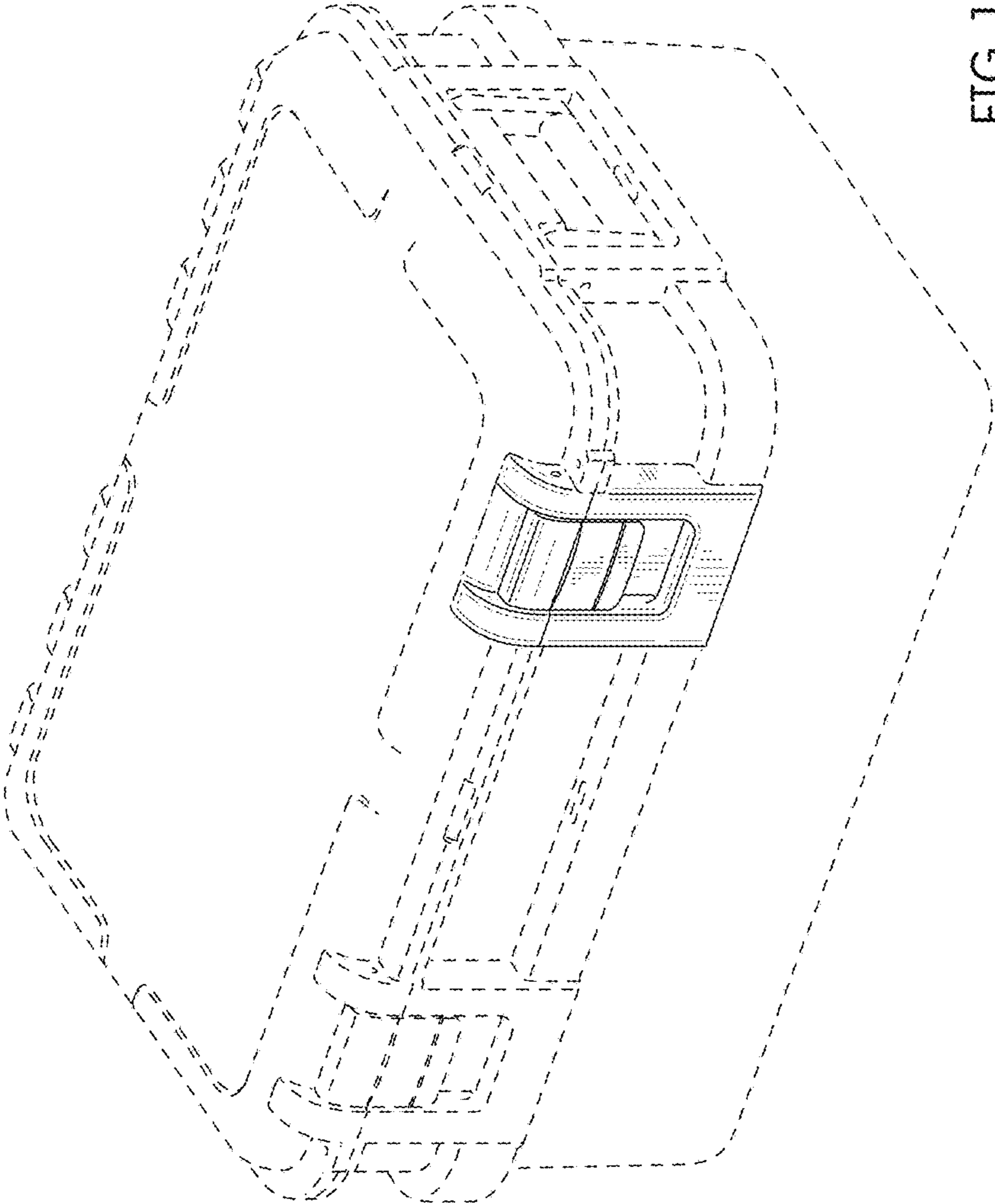


FIG. 1

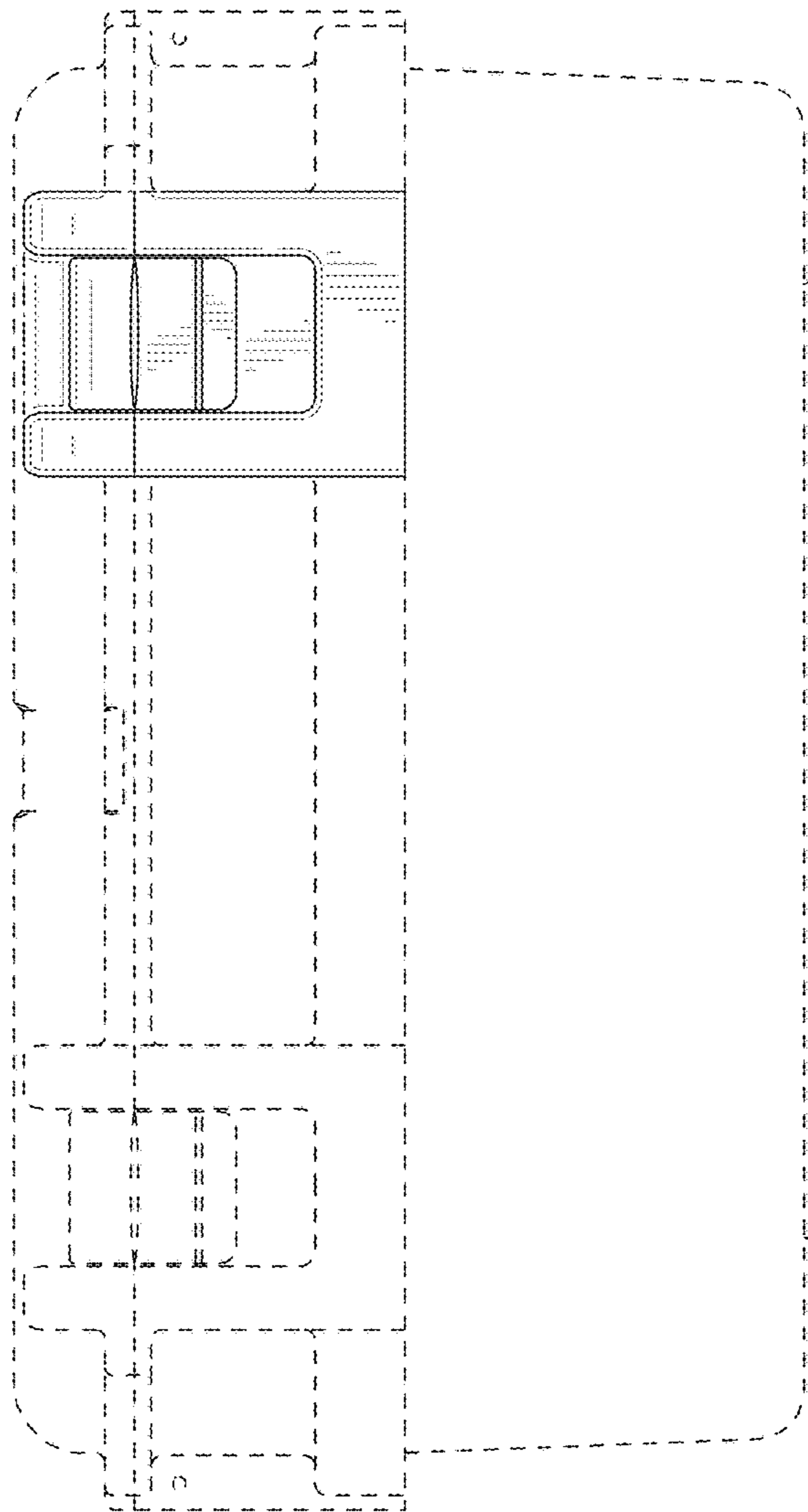


FIG. 2

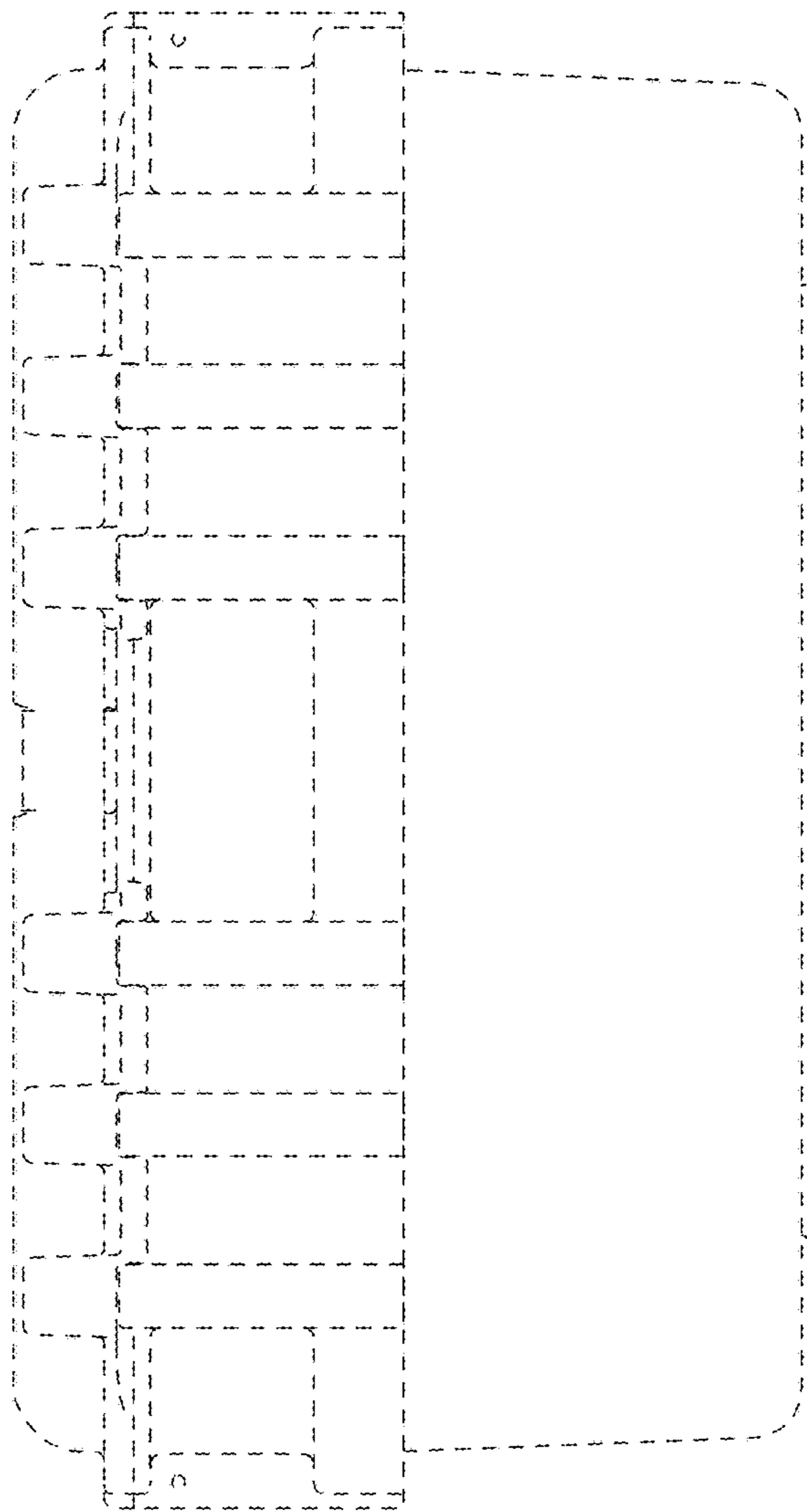


FIG. 3

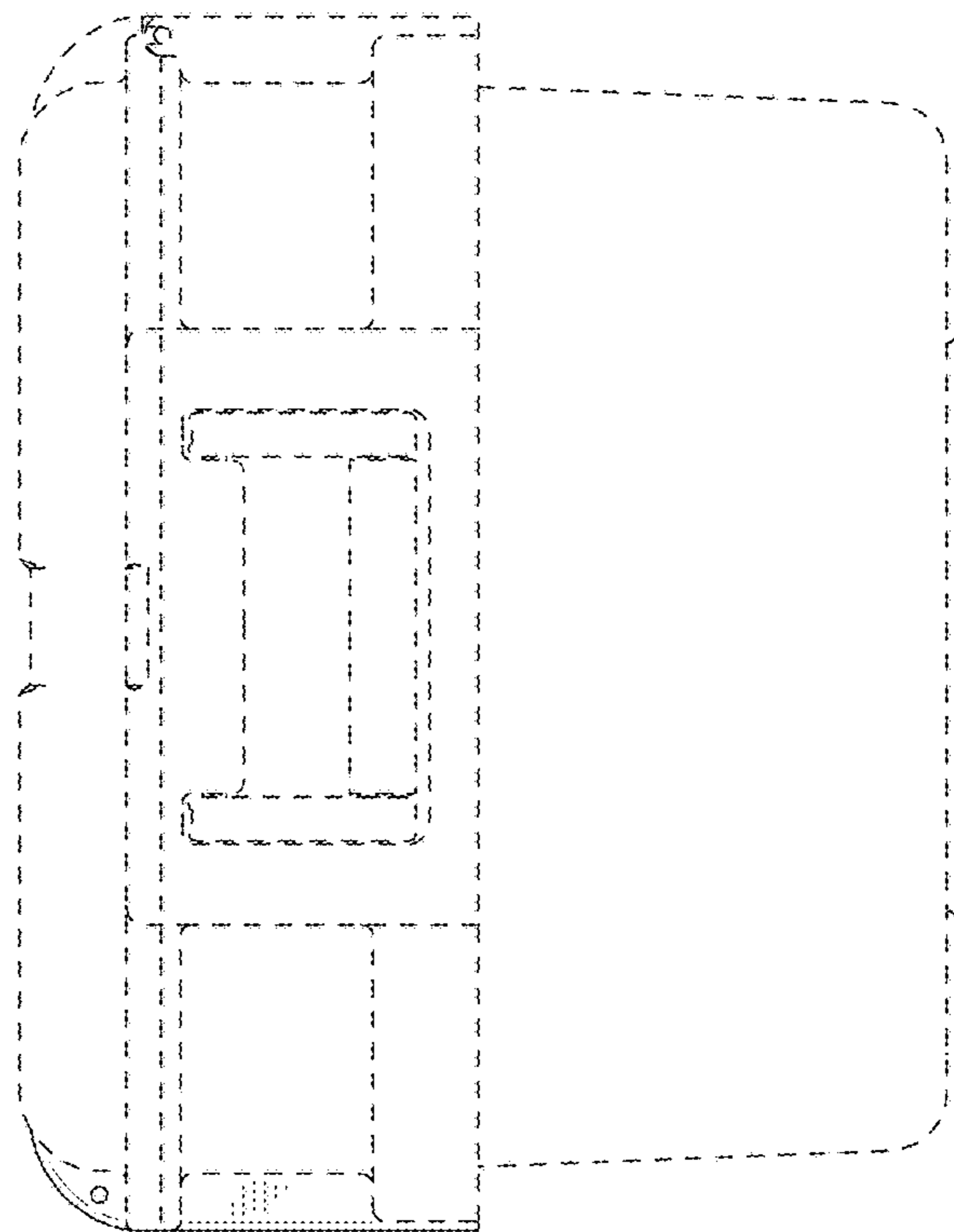


FIG. 4

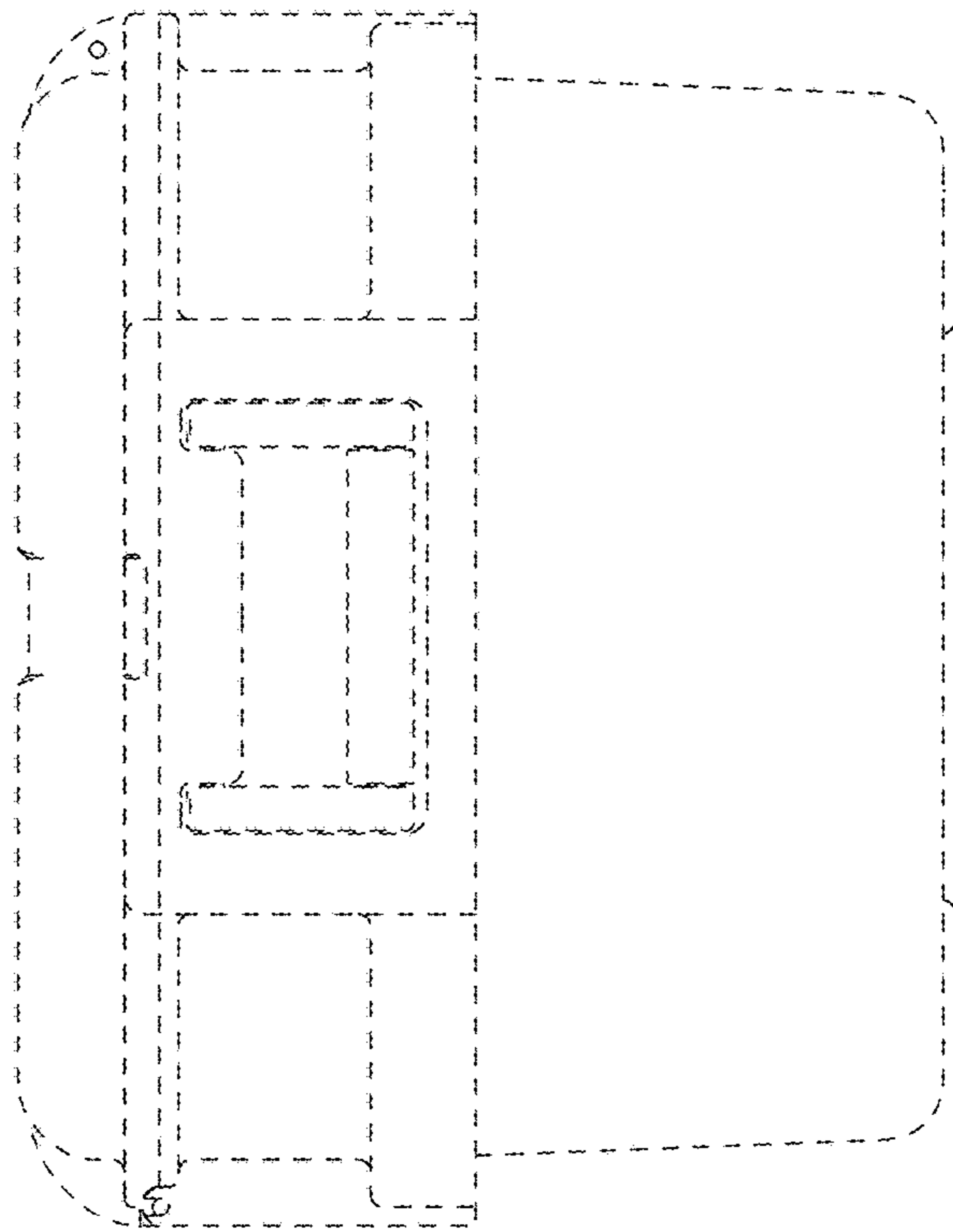


FIG. 5

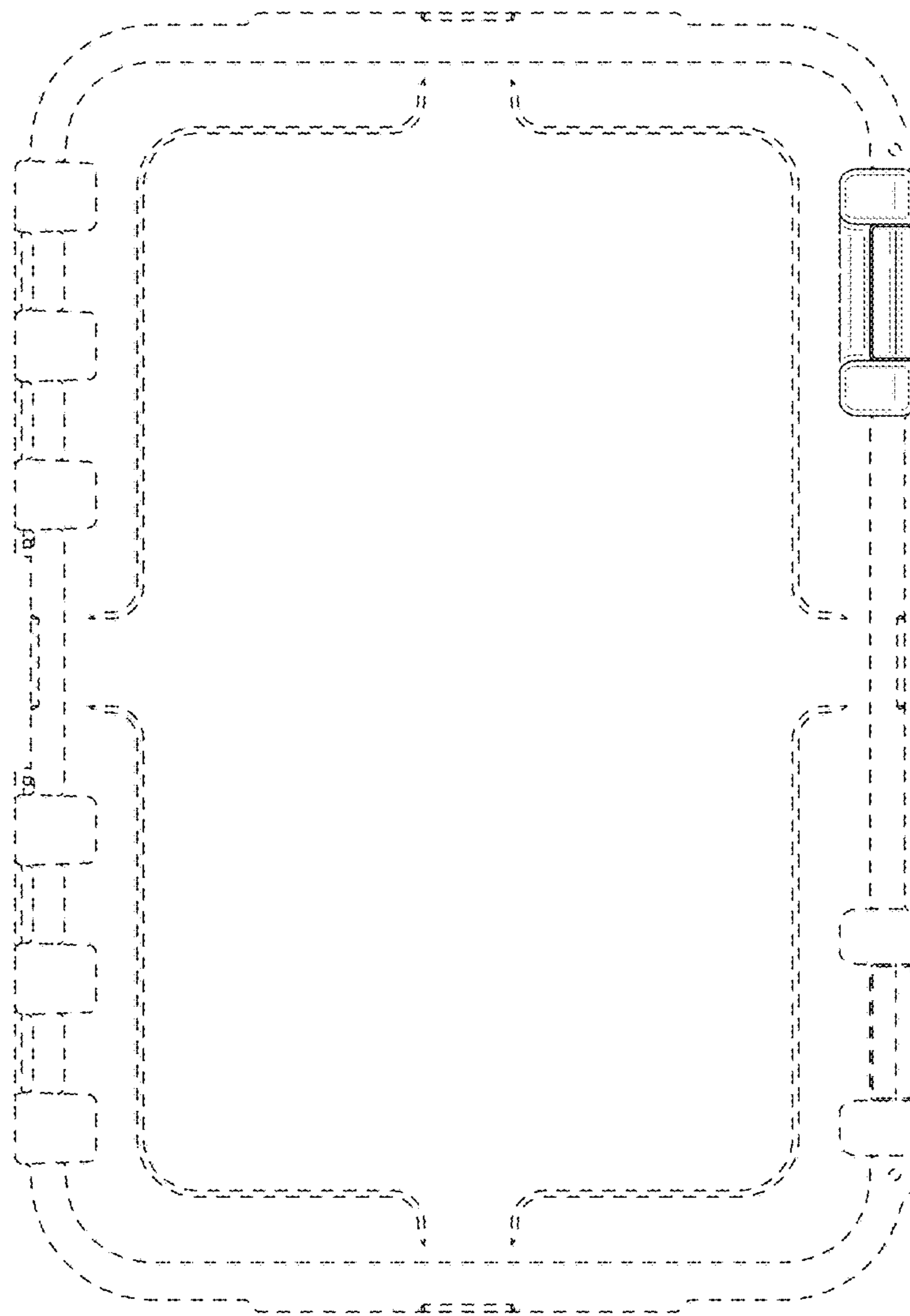


FIG. 6

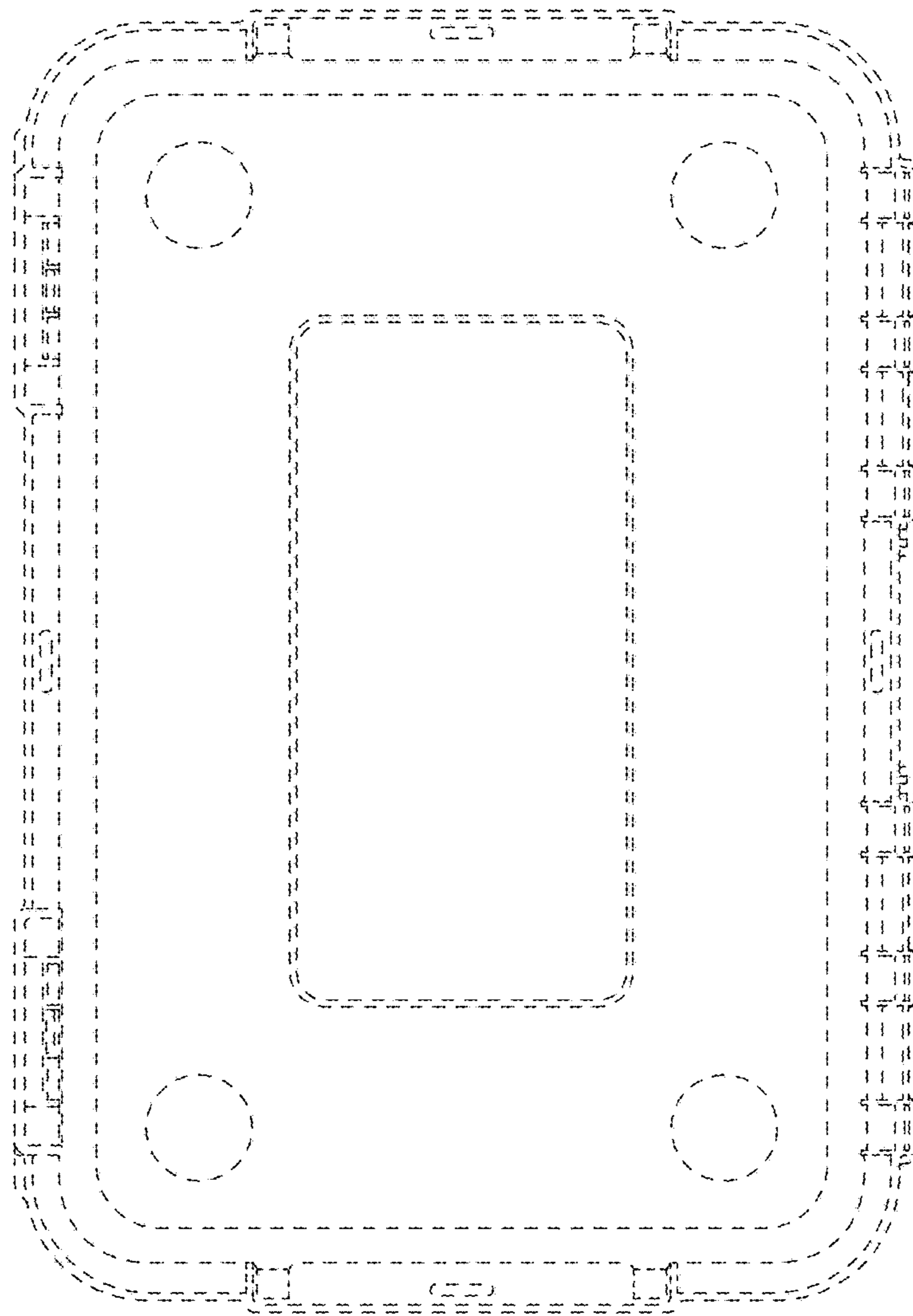


FIG. 7