

US00D869159S

(12) **United States Design Patent** (10) **Patent No.:** **US D869,159 S**
Li (45) **Date of Patent:** **** Dec. 10, 2019**

(54) **LAPTOP BAG**

(71) Applicant: **Jianhui Li**, Shenzhen (CN)

(72) Inventor: **Jianhui Li**, Shenzhen (CN)

(**) Term: **15 Years**

(21) Appl. No.: **29/660,827**

(22) Filed: **Aug. 22, 2018**

(51) **LOC (12) Cl.** **03-01**

(52) **U.S. Cl.**
USPC **D3/246**

(58) **Field of Classification Search**
USPC D3/232-233, 240-243, 245-246
CPC A45C 1/024; A45C 3/06
See application file for complete search history.

(56) **References Cited**

U.S. PATENT DOCUMENTS

D416,677 S * 11/1999 Christman D3/232
D418,679 S * 1/2000 Chiapperini, Jr. D3/245

D428,251 S * 7/2000 Toledano D3/232
D433,803 S * 11/2000 Haapala D3/232
D446,010 S * 8/2001 Sweeney D3/246

* cited by examiner

Primary Examiner — Holly H Baynham

(74) *Attorney, Agent, or Firm* — Erson IP (Nelson IP)

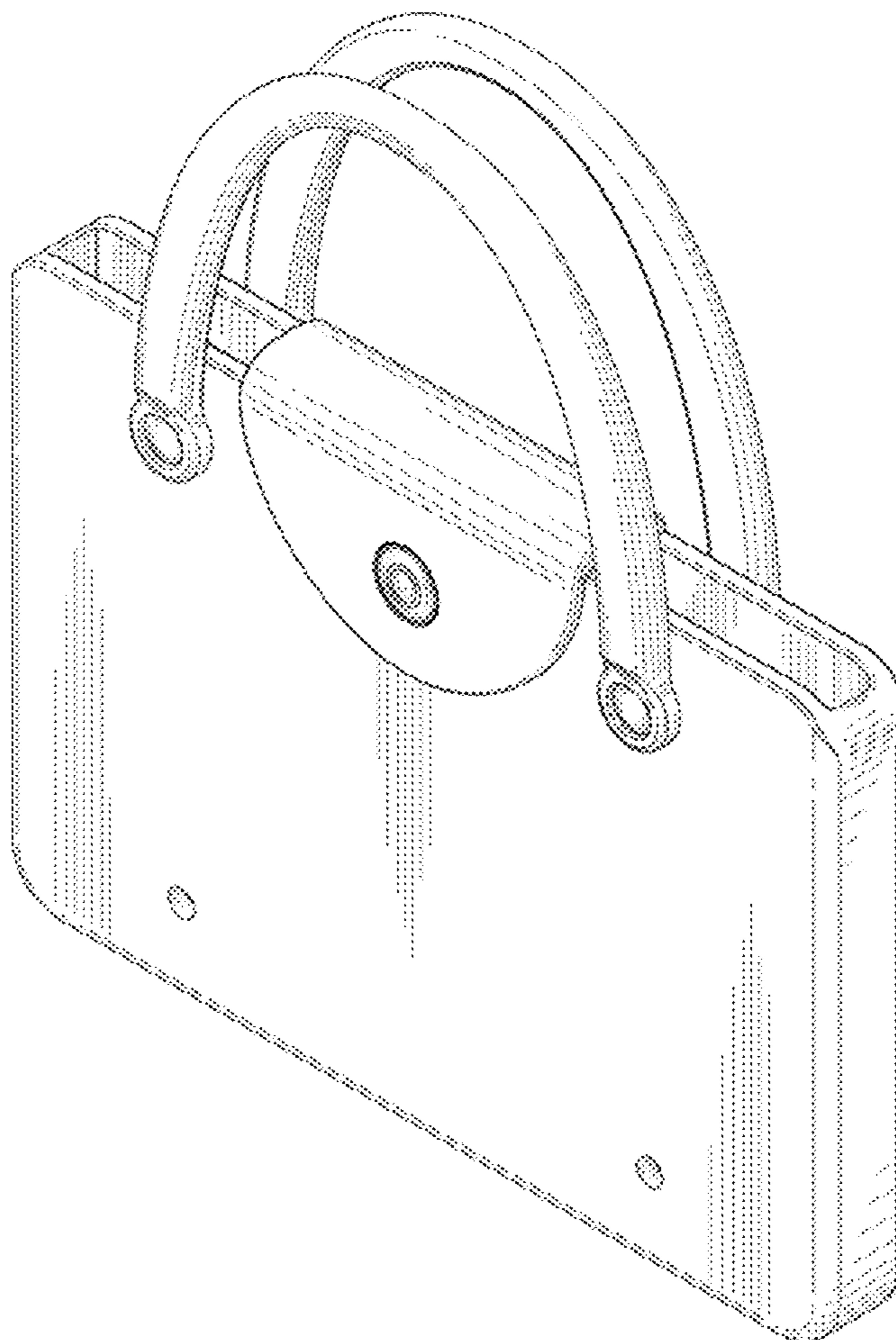
(57) **CLAIM**

The ornamental design for a laptop bag, as shown and described.

DESCRIPTION

1 FIG. 1 is a perspective view of a laptop bag showing my new design;
FIG. 2 is another perspective view thereof;
FIG. 3 is a front view thereof;
FIG. 4 is a rear view thereof;
FIG. 5 is a left side view thereof;
FIG. 6 is a right side view thereof;
FIG. 7 is a top plan view thereof; and,
FIG. 8 is a bottom plan view thereof.

1 Claim, 8 Drawing Sheets



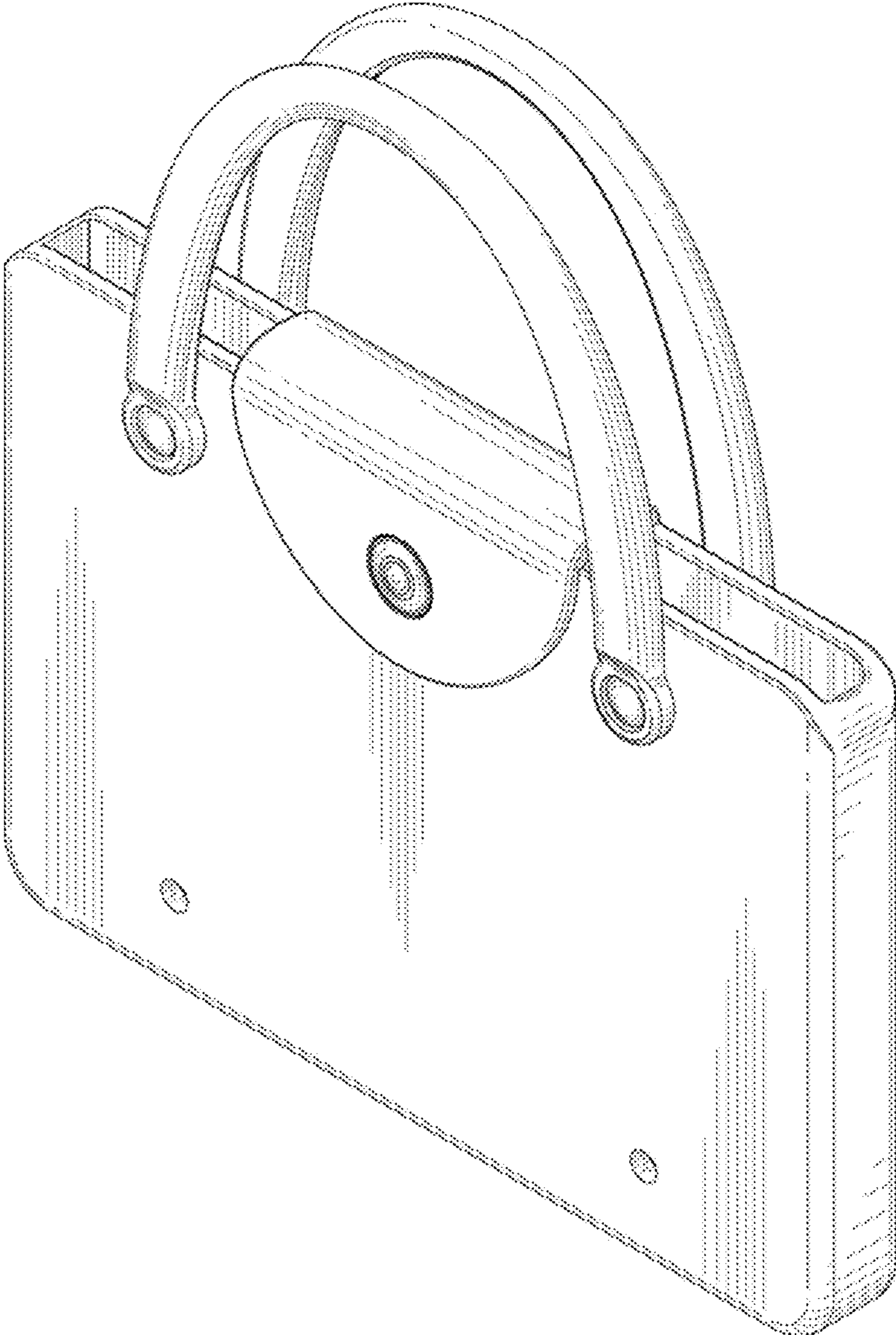


Fig. 1

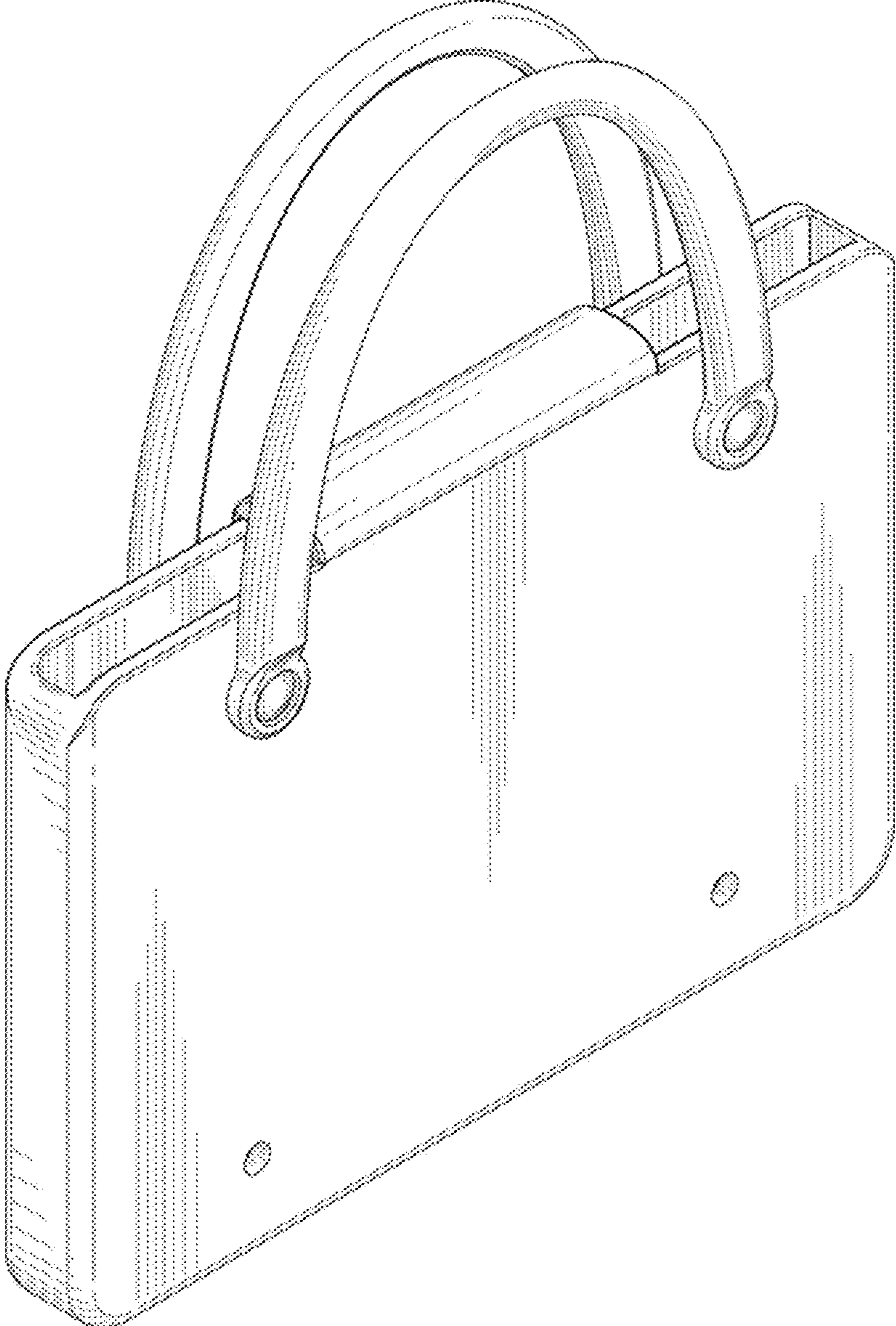


Fig. 2

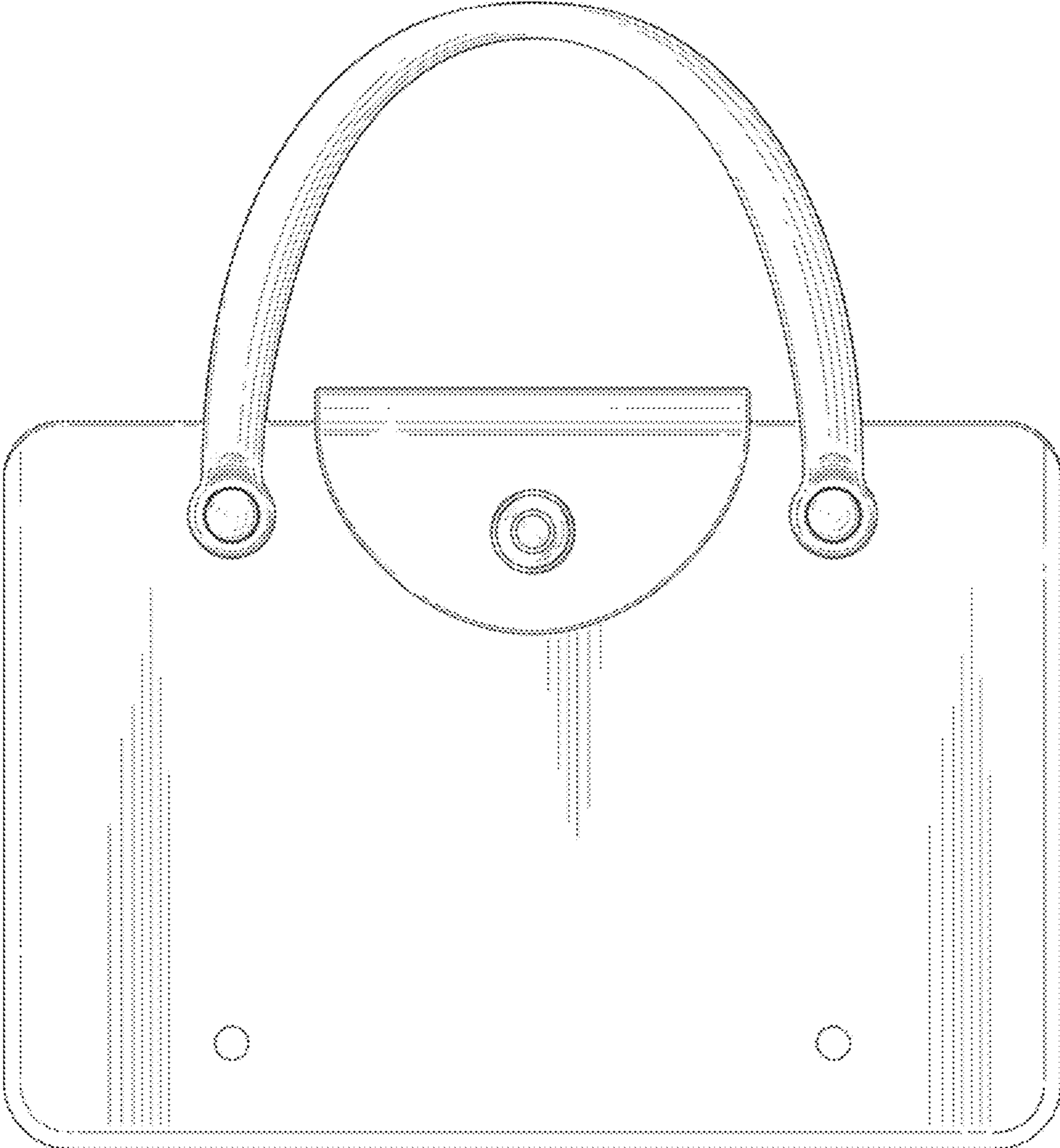


Fig. 3

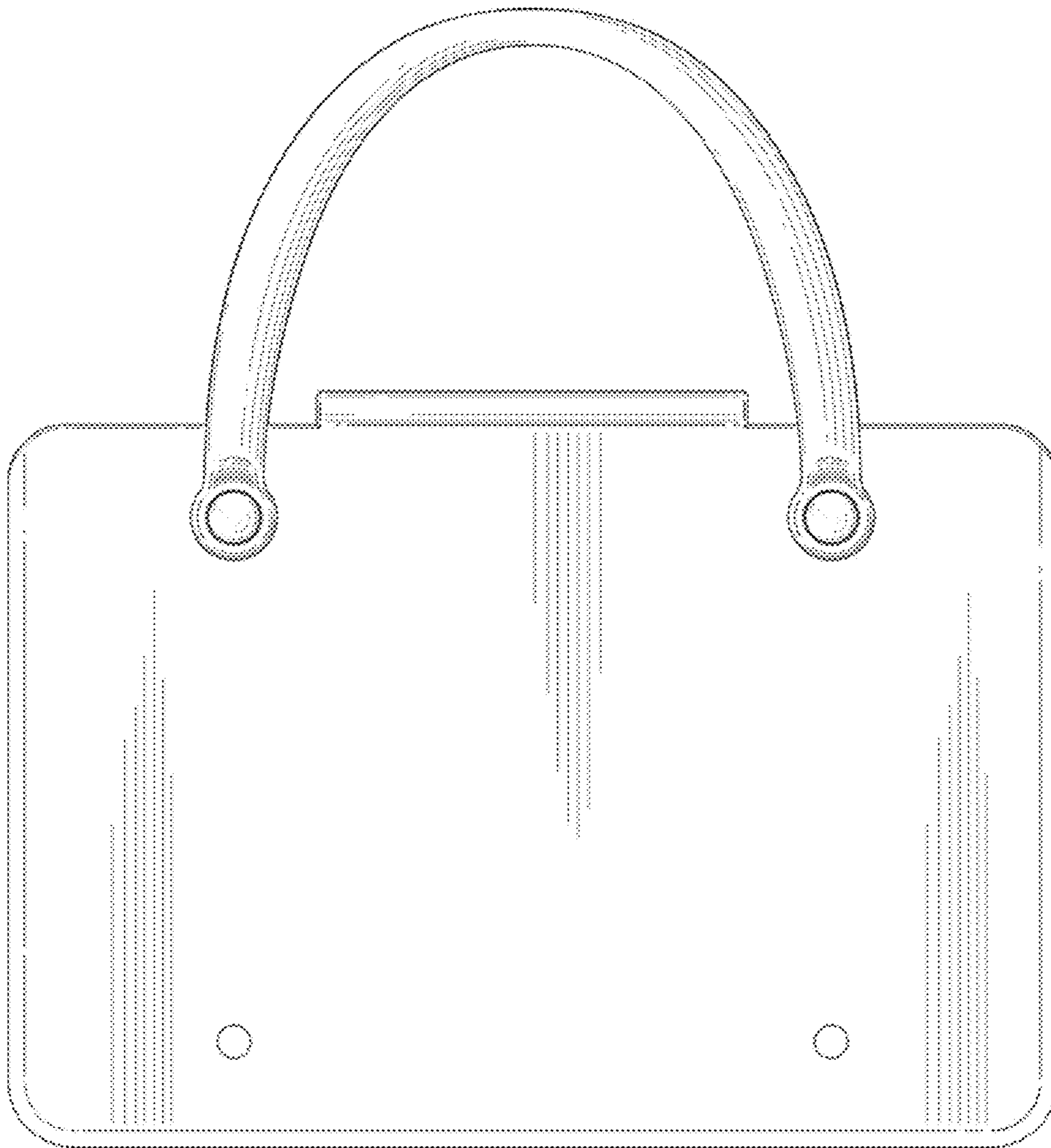


Fig. 4

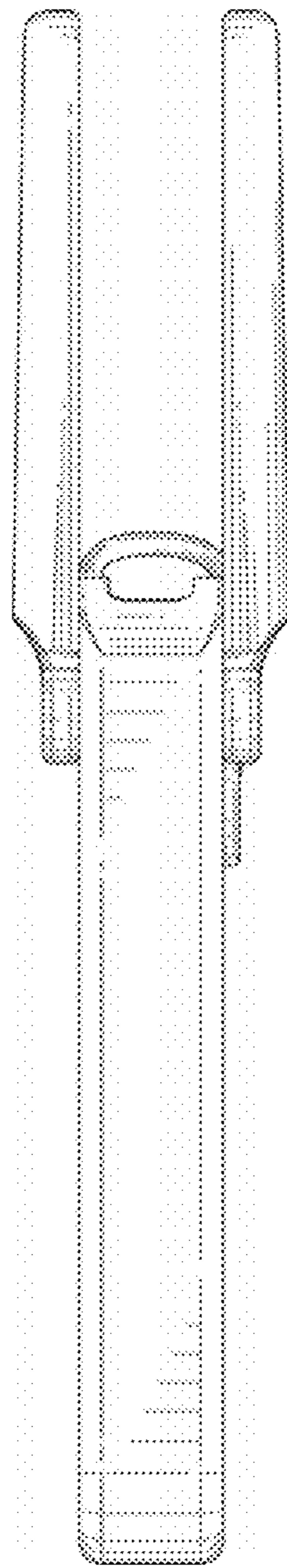


Fig. 5

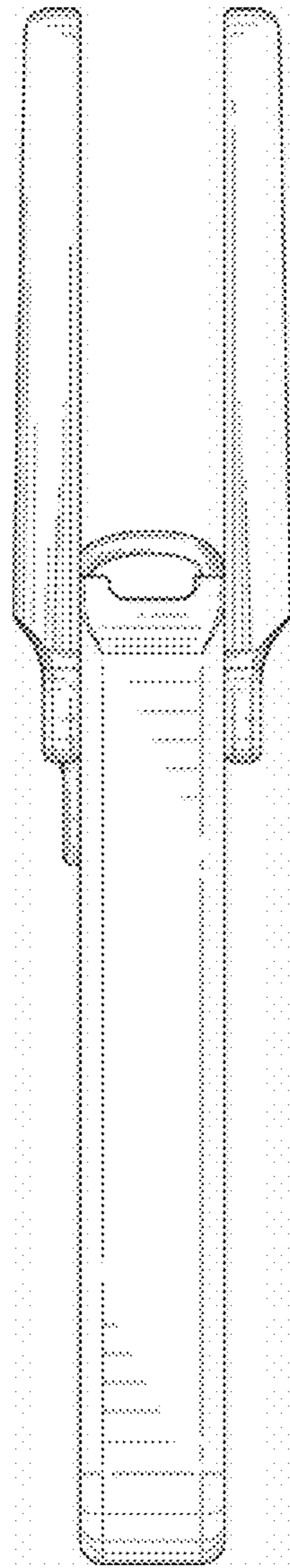


Fig. 6

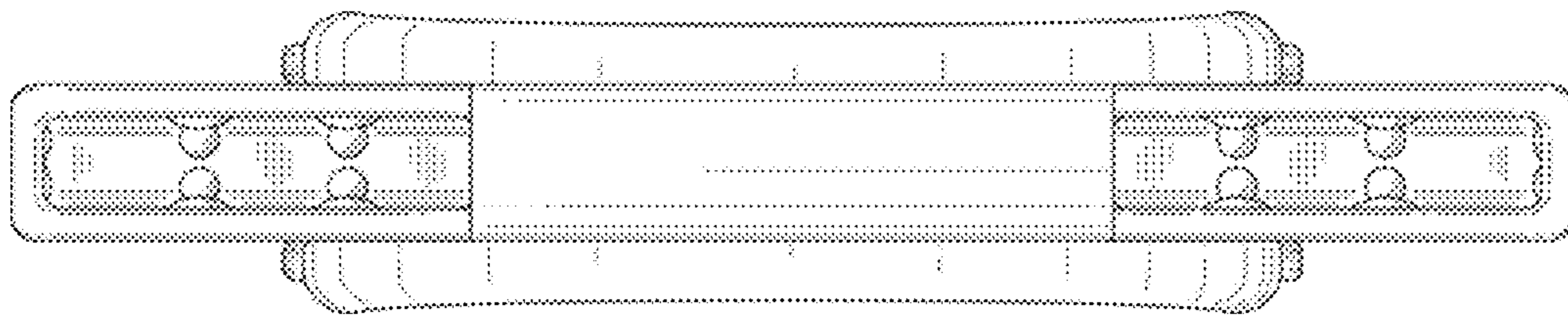


Fig. 7

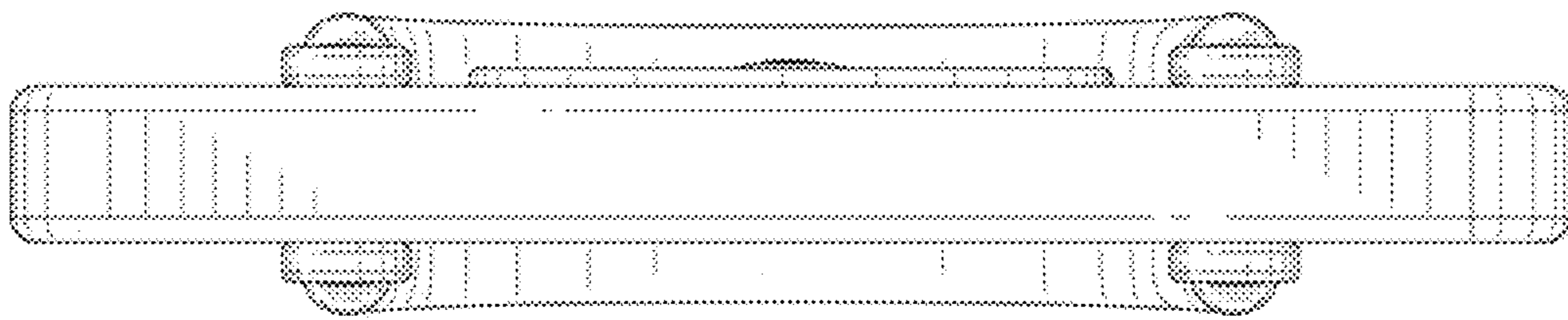


Fig. 8