



US00D869158S

(12) **United States Design Patent**
Horton

(10) **Patent No.:** **US D869,158 S**

(45) **Date of Patent:** **** Dec. 10, 2019**

(54) **DETACHABLE ELECTRONICS BAG**

D602,688 S * 10/2009 Smith D3/233
D659,390 S * 5/2012 Guertin D3/233

(71) Applicant: **Janet Horton**, Charleston, SC (US)

* cited by examiner

(72) Inventor: **Janet Horton**, Charleston, SC (US)

Primary Examiner — Holly H Baynham

(**) Term: **15 Years**

(74) *Attorney, Agent, or Firm* — Gregory Finch; Finch Paolino, LLC

(21) Appl. No.: **29/648,845**

(57) **CLAIM**

The design for a detachable electronics bag, as shown and described.

(22) Filed: **May 24, 2018**

DESCRIPTION

(51) **LOC (12) Cl.** **03-01**

(52) **U.S. Cl.**

USPC **D3/246**

(58) **Field of Classification Search**

USPC D3/232–233, 240–243, 245–246

CPC A45C 1/024; A45C 3/08

See application file for complete search history.

FIG. 1 is an isometric view of the claimed detachable electronics bag, embodying the present design;

FIG. 2 is a front side view thereof;

FIG. 3 is a rear side view thereof;

FIG. 4 is a left side view thereof;

FIG. 5 is a right side view thereof;

FIG. 6 is a top down plan view thereof; and,

FIG. 7 is a bottom up plan view thereof.

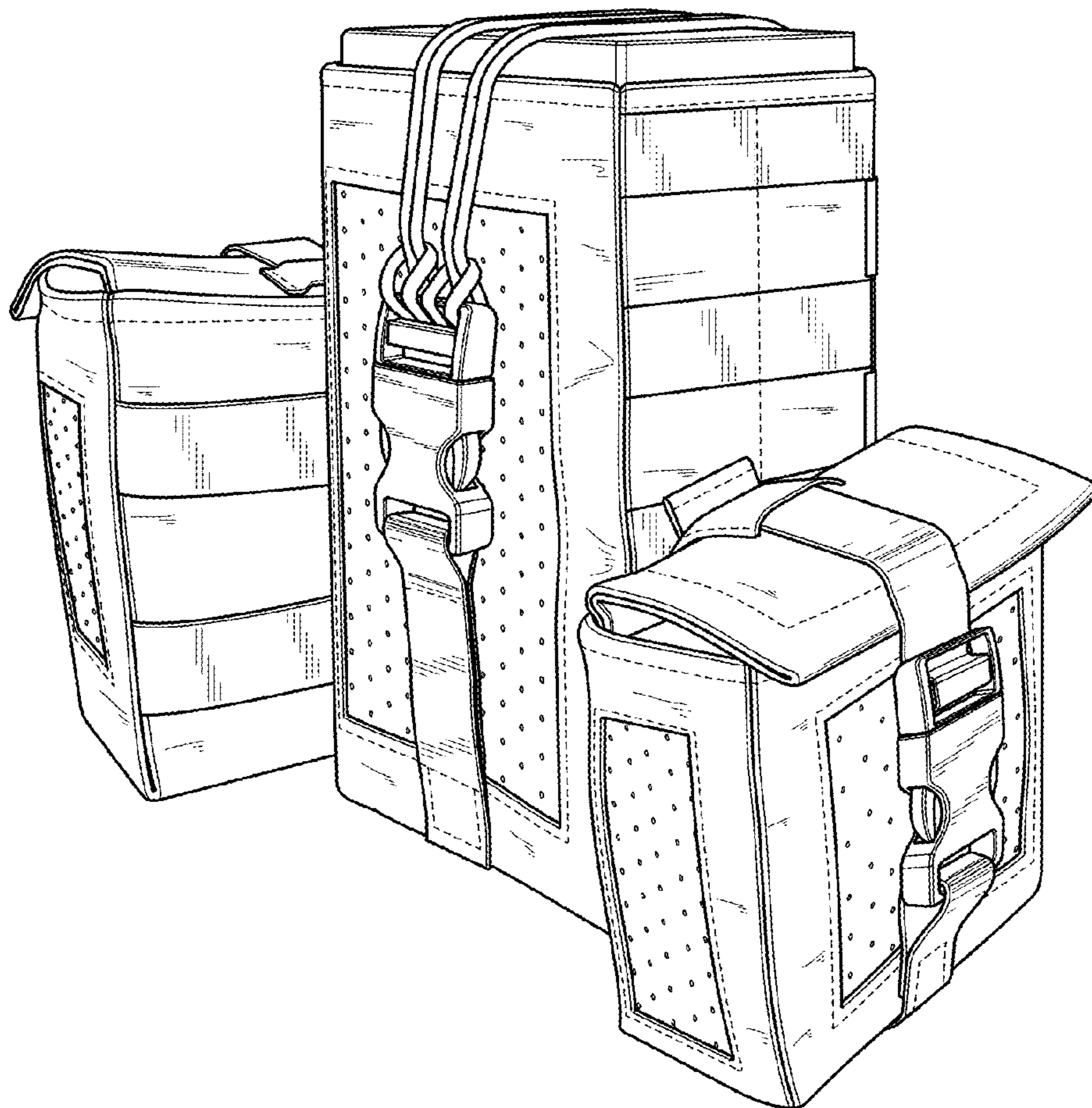
The dashed lines in FIGS. 1, 2, 3, 4, 5, 6 and 7 represent stitching. The stippling in the drawings represents texture.

(56) **References Cited**

U.S. PATENT DOCUMENTS

D583,147 S * 12/2008 Ussen D3/232

1 Claim, 7 Drawing Sheets



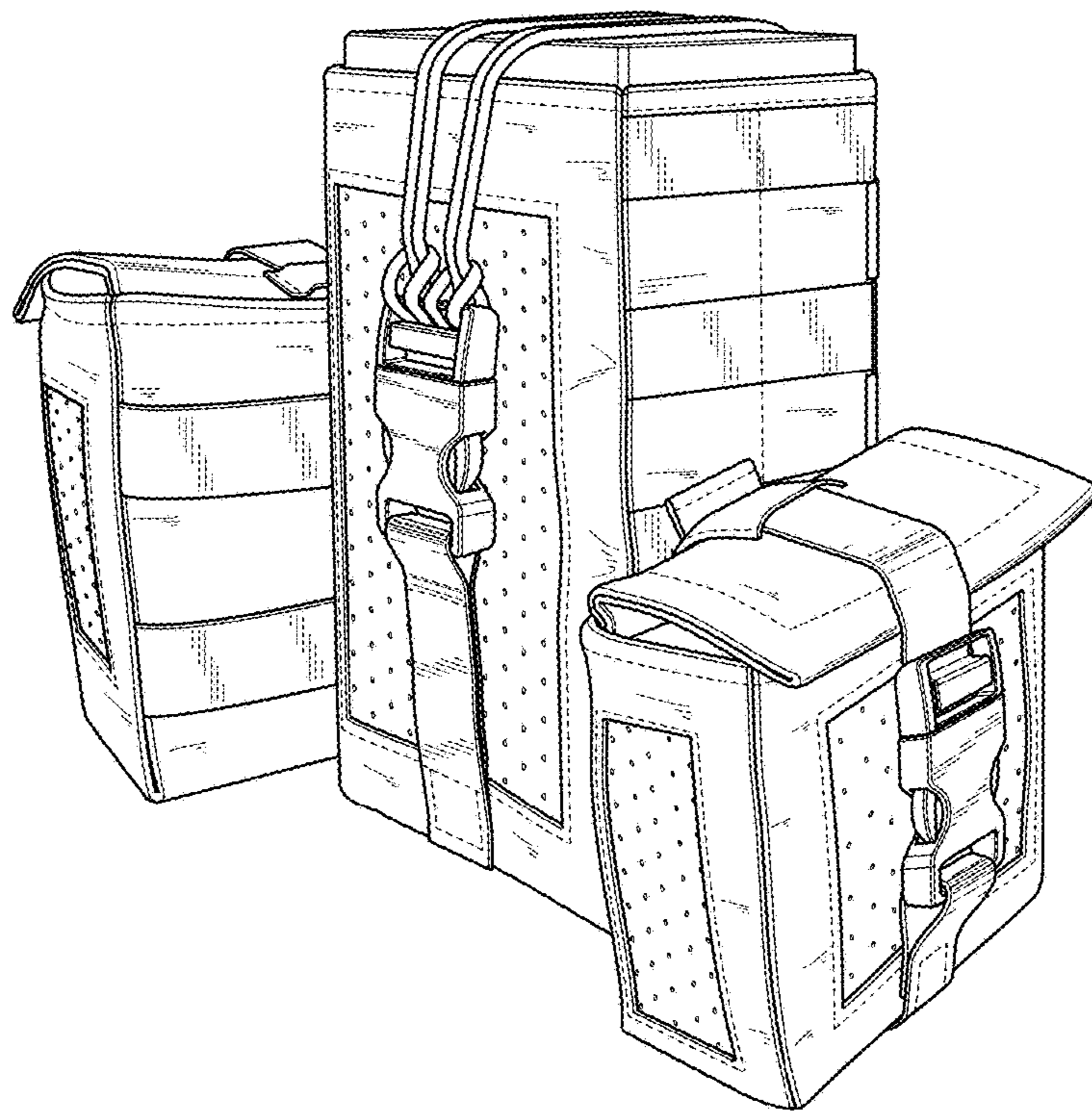


Fig. 1

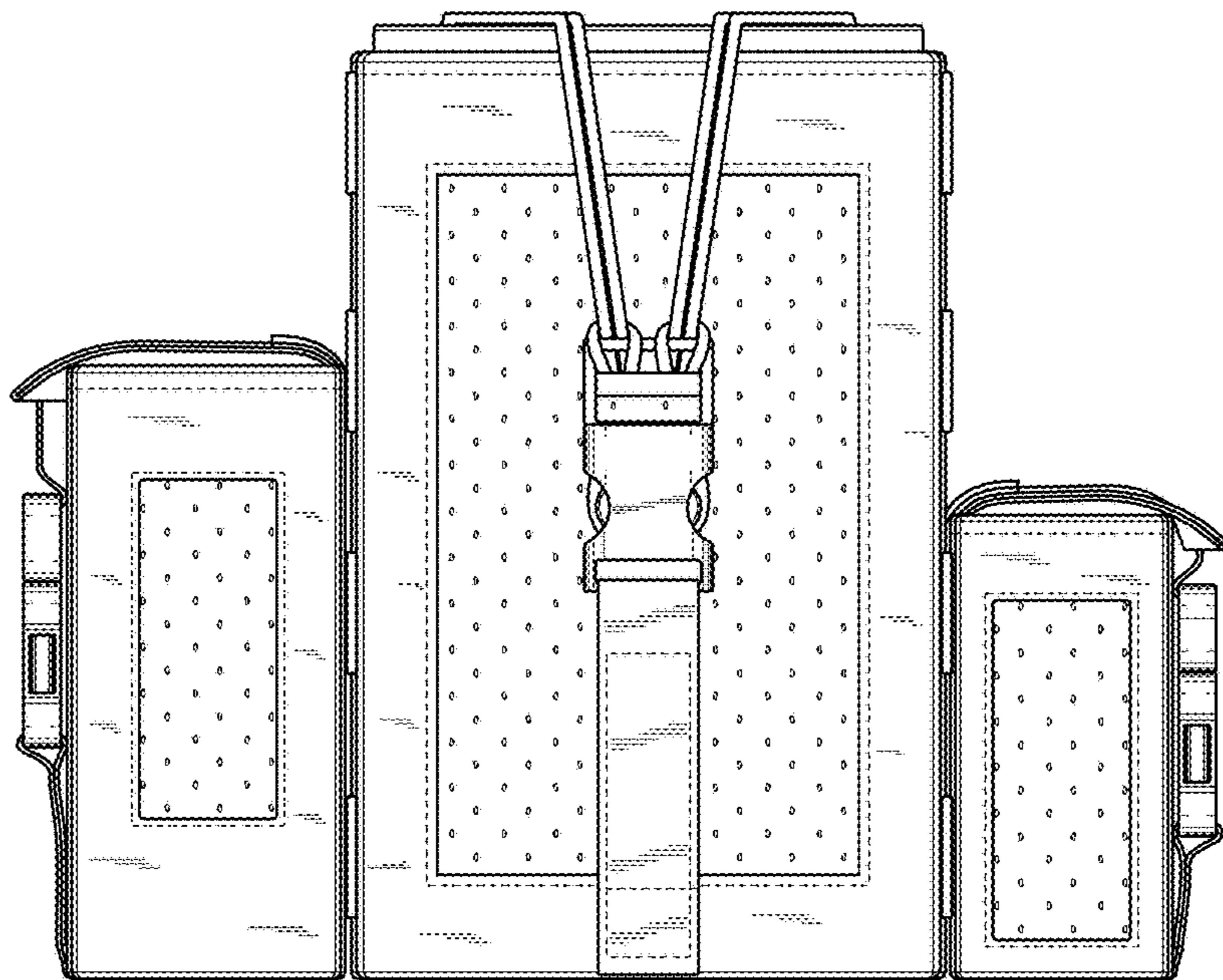


Fig. 2

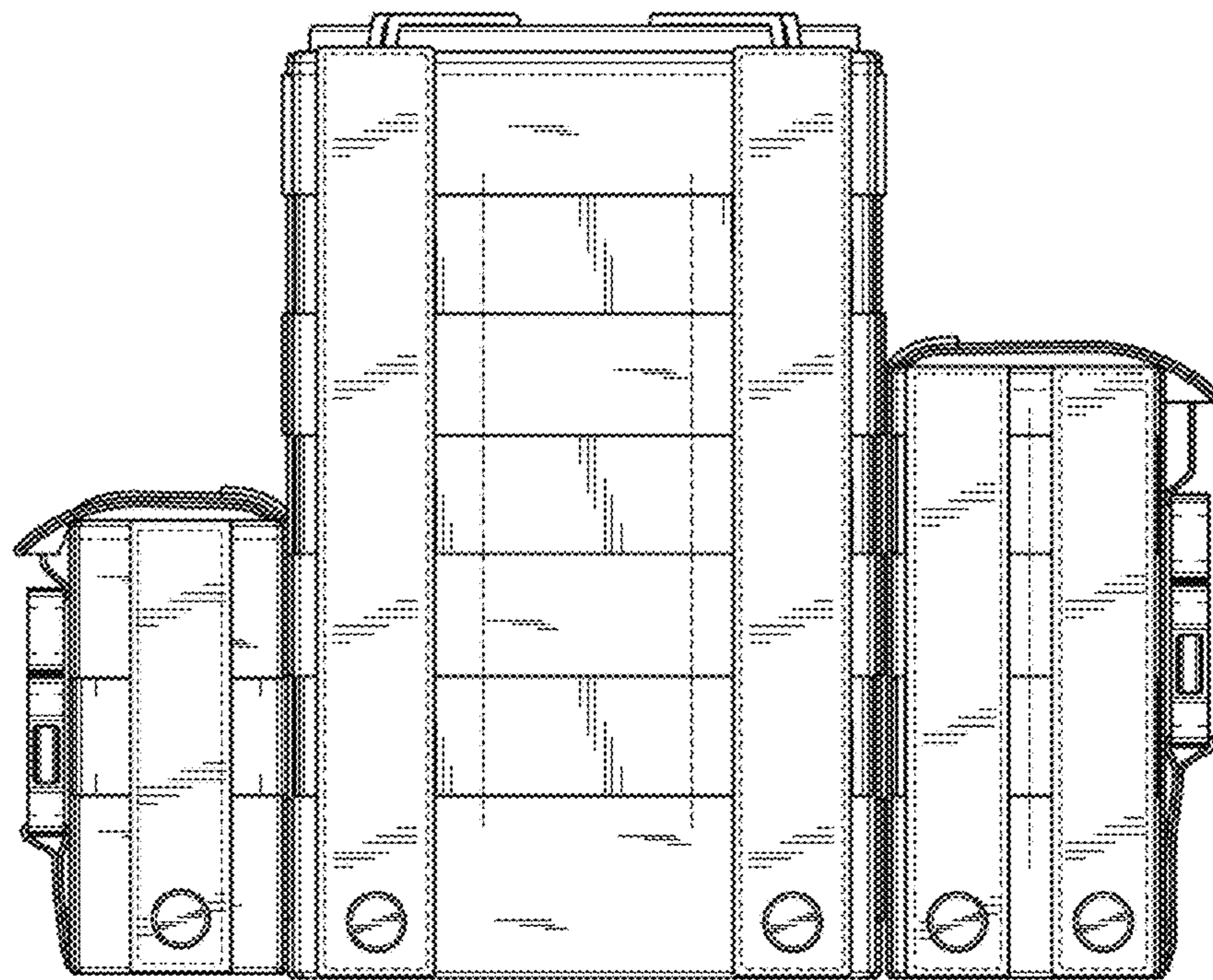


Fig. 3

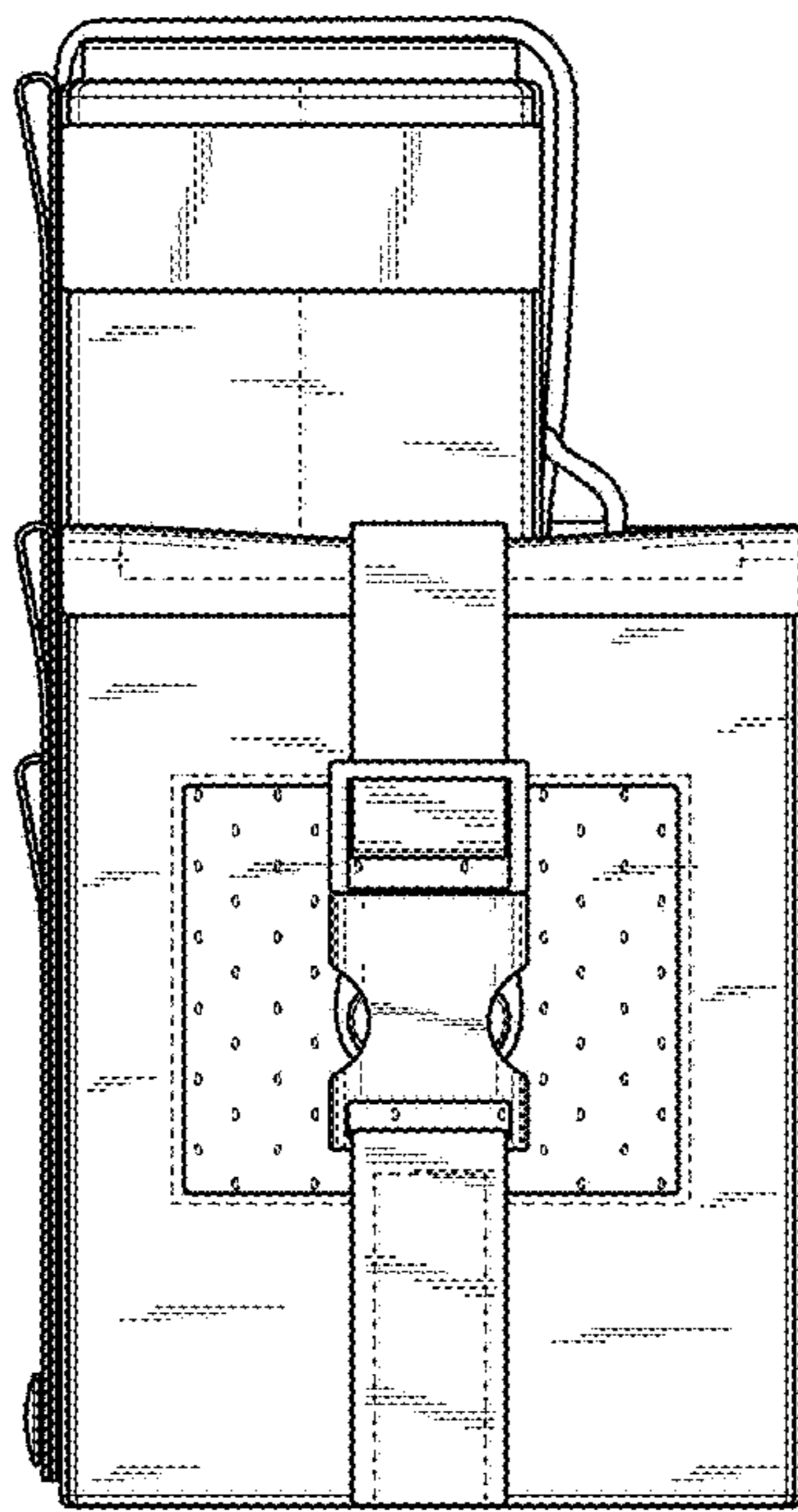


Fig. 4

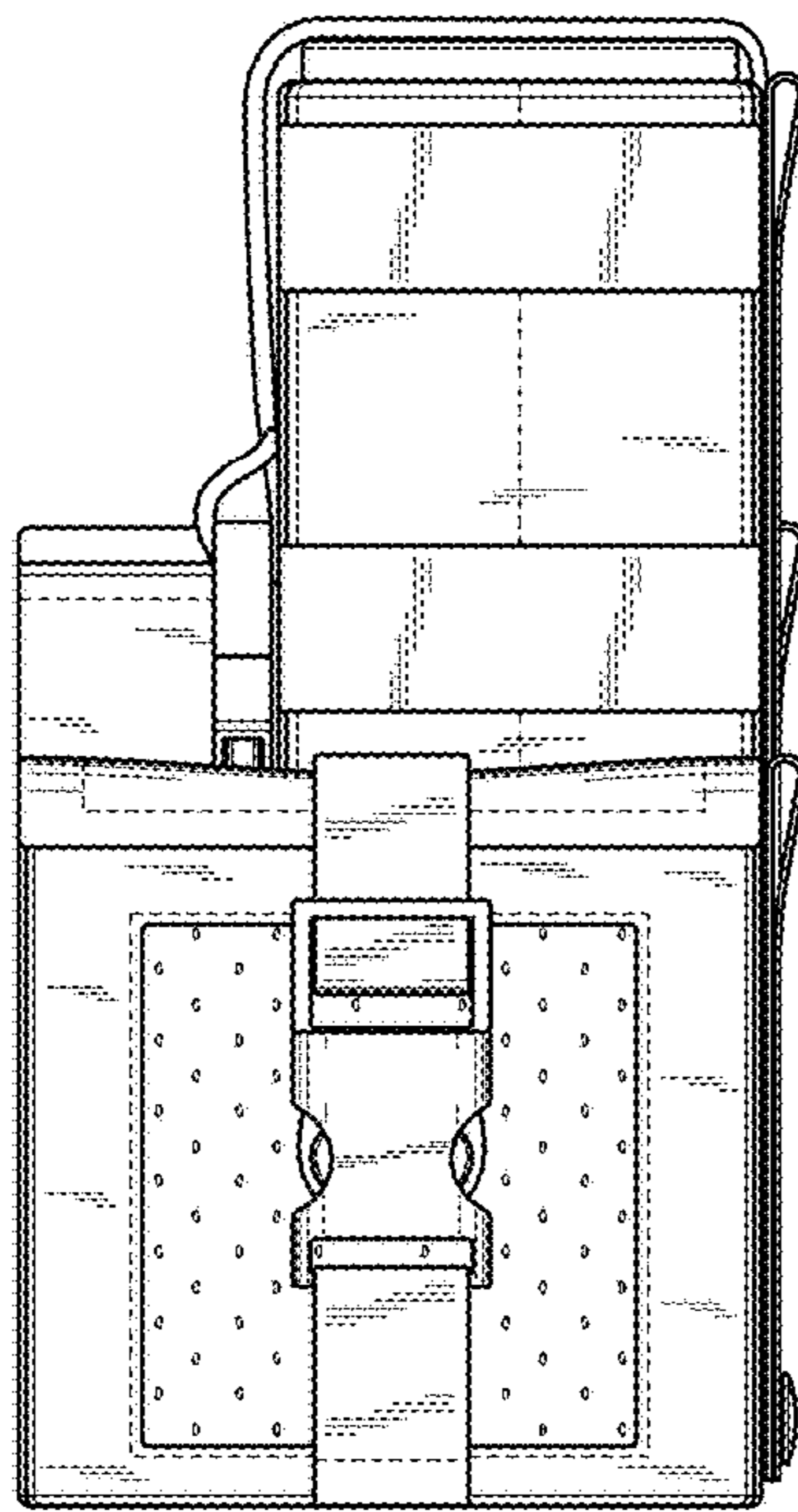


Fig. 5

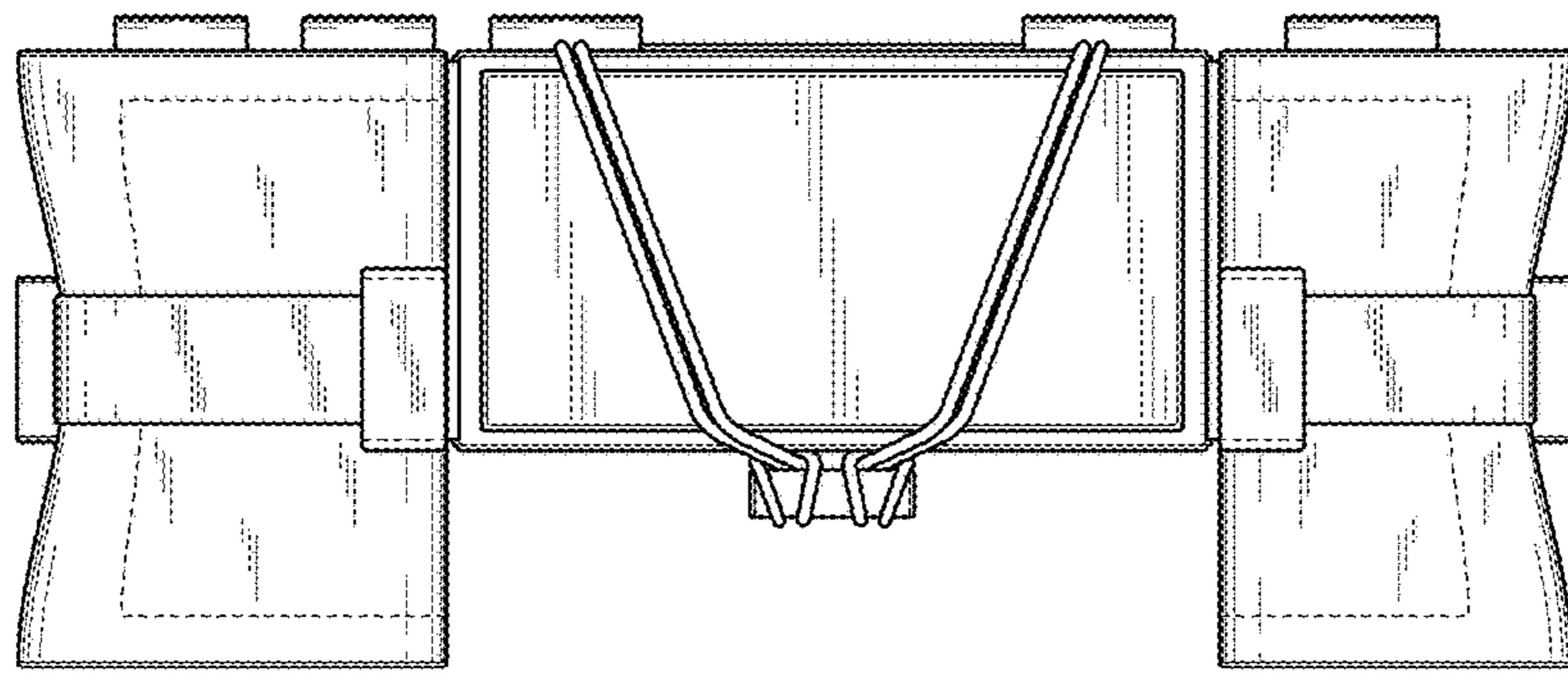


Fig. 6

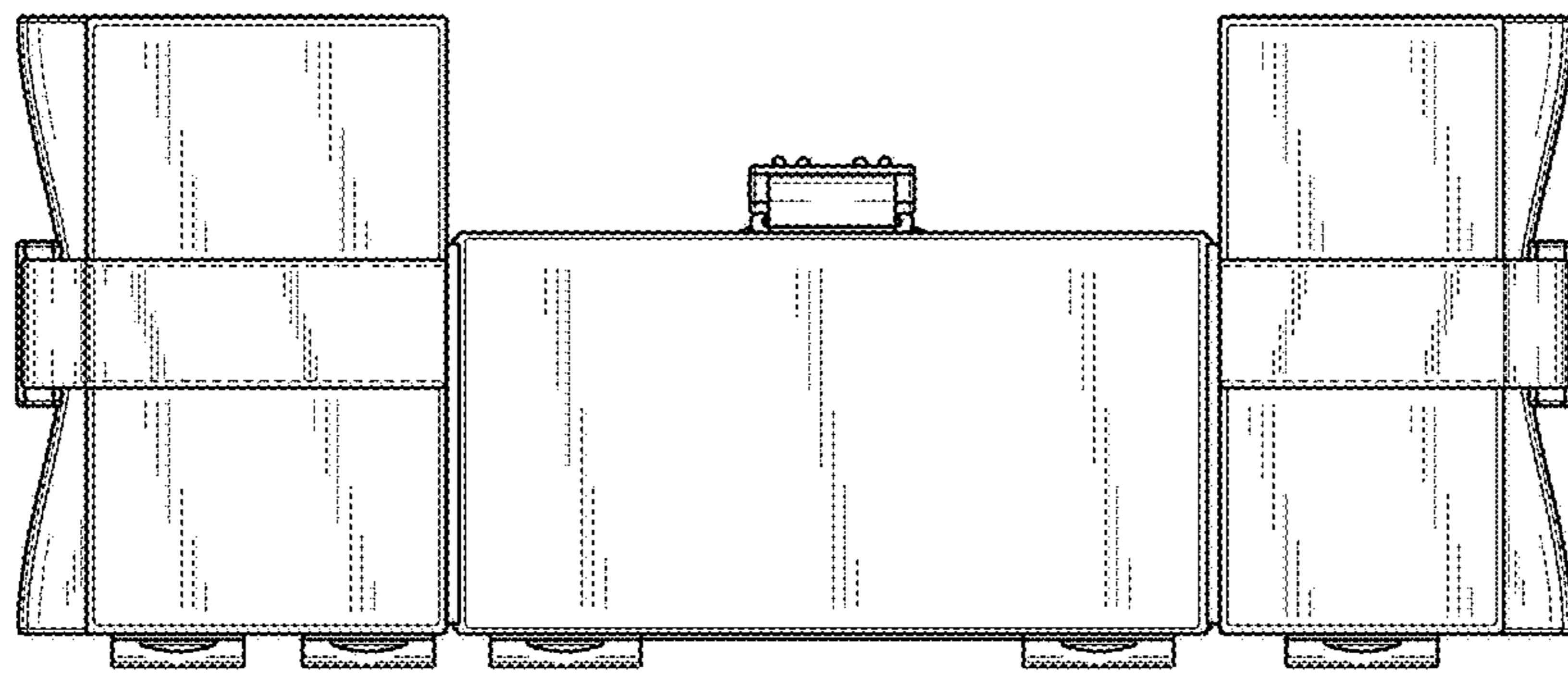


Fig. 7