



US00D869157S

(12) **United States Design Patent**
Savoulidis

(10) **Patent No.:** **US D869,157 S**

(45) **Date of Patent:** **** Dec. 10, 2019**

(54) **HAND BAG**

7,160,028 B1 1/2007 Lindsay
D730,043 S * 5/2015 Morelli D3/245
D821,746 S * 7/2018 Heyman D3/240

(71) Applicant: **Megalini LLC**, Brooklyn, NY (US)

(72) Inventor: **Anastasia Savoulidis**, Brooklyn, NY (US)

FOREIGN PATENT DOCUMENTS

WO 2015150878 A1 10/2015

(73) Assignee: **MEGALINI LLC**, Brooklyn, NY (US)

* cited by examiner

(**) Term: **15 Years**

Primary Examiner — Holly H Baynham

(21) Appl. No.: **29/664,759**

(74) *Attorney, Agent, or Firm* — Carter, DeLuca & Farrell LLP; George Likourezos, Esq.

(22) Filed: **Sep. 27, 2018**

(51) **LOC (12) Cl.** **03-01**

(57) **CLAIM**

(52) **U.S. Cl.**
USPC **D3/245**

The ornamental design for a hand bag, as shown and described.

(58) **Field of Classification Search**
USPC D3/232–233, 240–243, 245–246
CPC A45C 1/024; A45C 3/06
See application file for complete search history.

DESCRIPTION

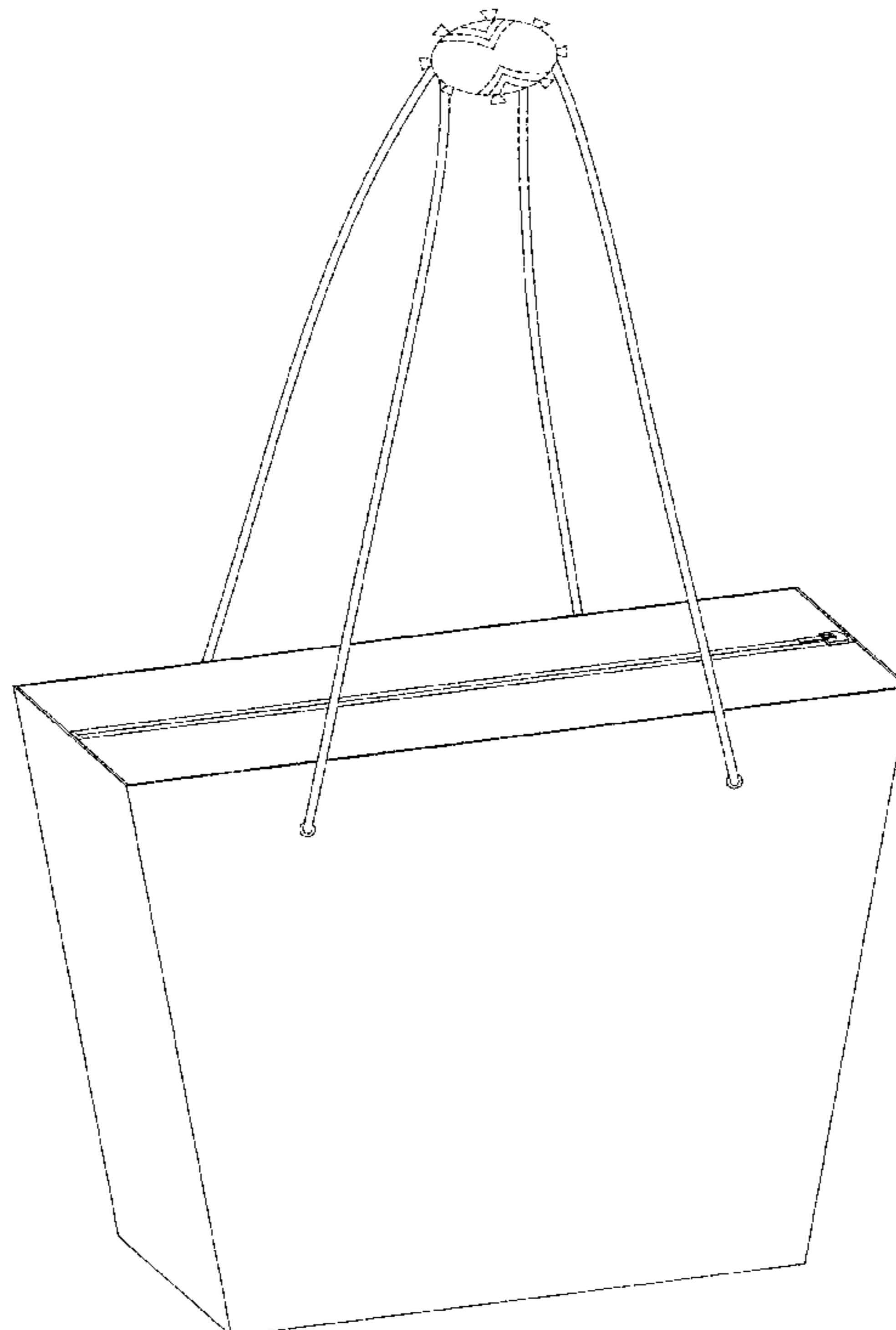
(56) **References Cited**

U.S. PATENT DOCUMENTS

D99,436 S * 4/1936 Hawes D3/246
D155,608 S * 10/1949 Hilf D3/240
3,995,802 A 12/1976 Johnston
D326,561 S * 6/1992 Imbert D3/242
5,881,932 A 3/1999 Wadden
6,488,189 B1 12/2002 Smith
D520,742 S * 5/2006 Wong D3/234
D532,967 S * 12/2006 Wong D3/234

FIG. 1 is a perspective view of a hand bag in accordance with the present design;
FIG. 2 is another perspective view from above with the handles unclapsed.
FIG. 3 is a side view thereof;
FIG. 4 is a top view thereof; and,
FIG. 5 is a bottom view thereof.
The broken lines showing handbag handle clasp are for the purposes of illustrating environment and forms no part of the claimed design.

1 Claim, 4 Drawing Sheets



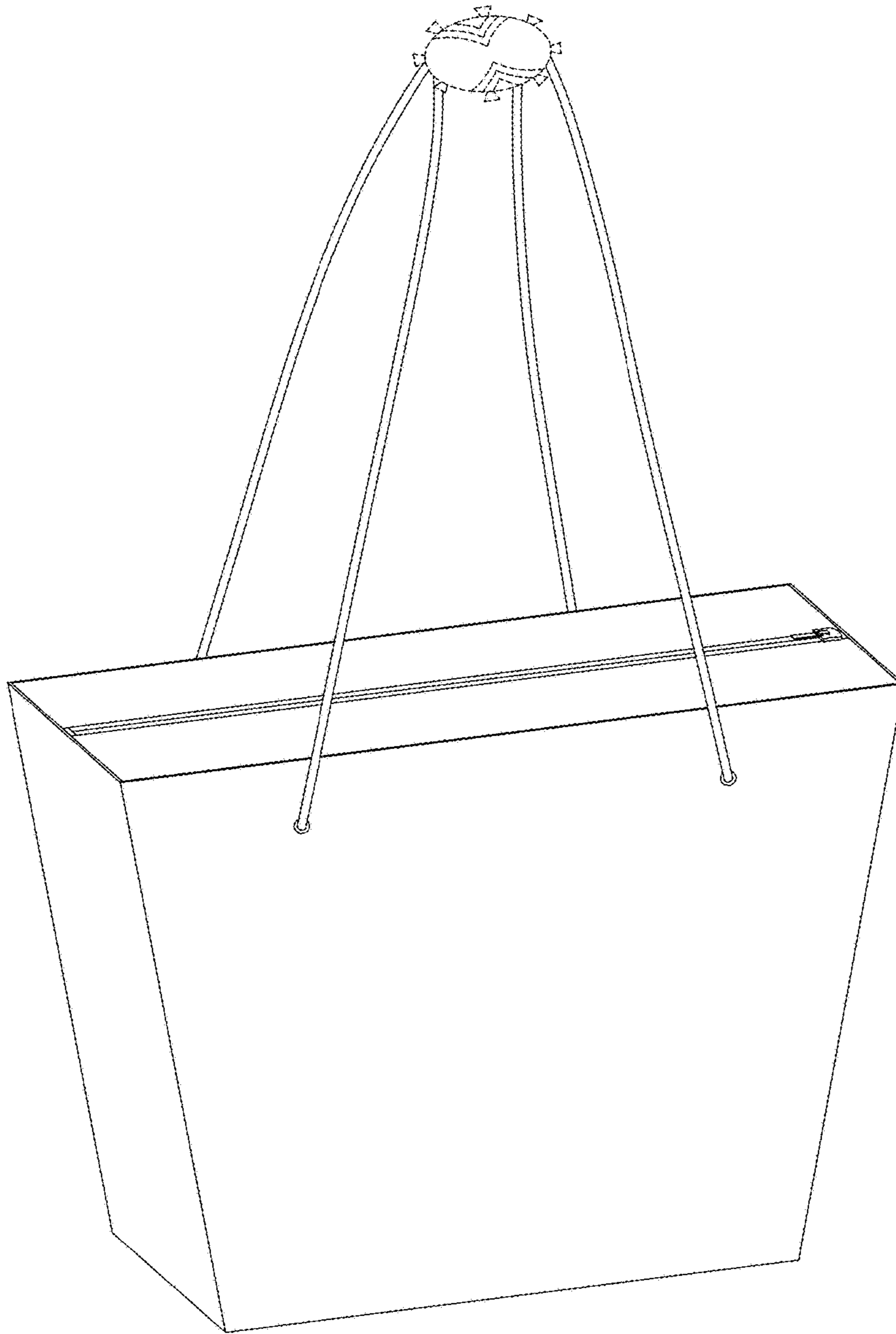


FIG. 1

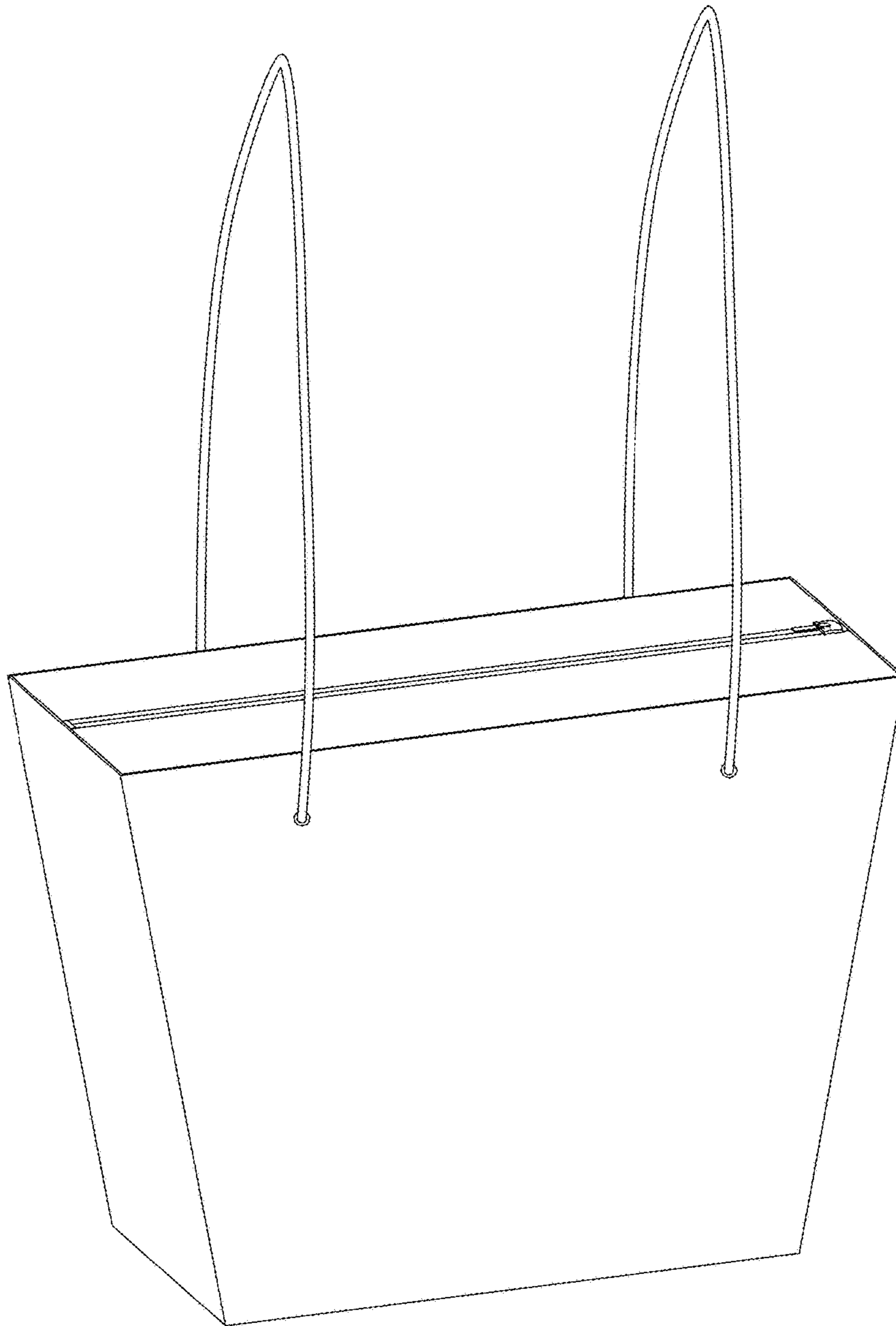


FIG. 2

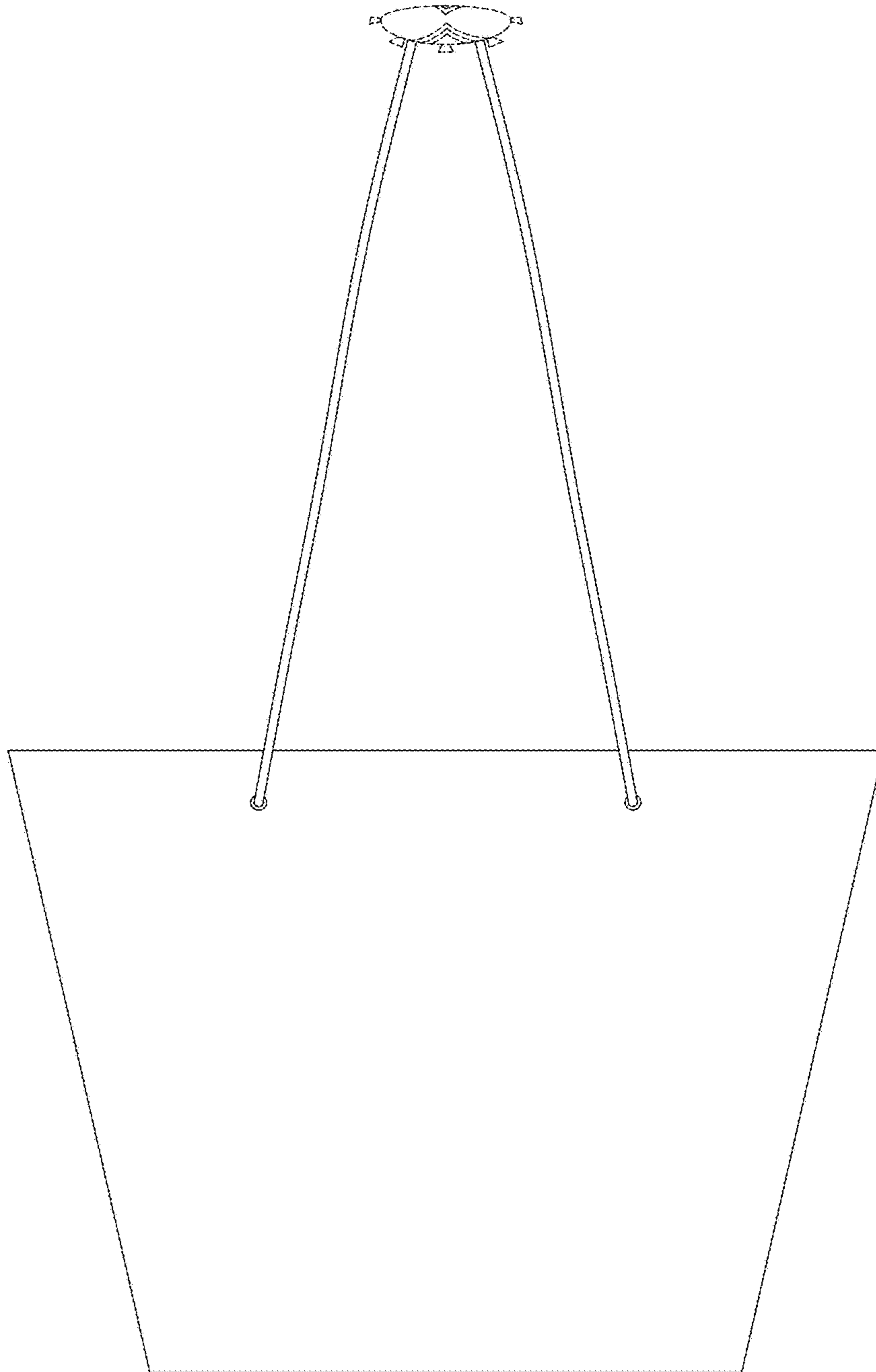


FIG. 3

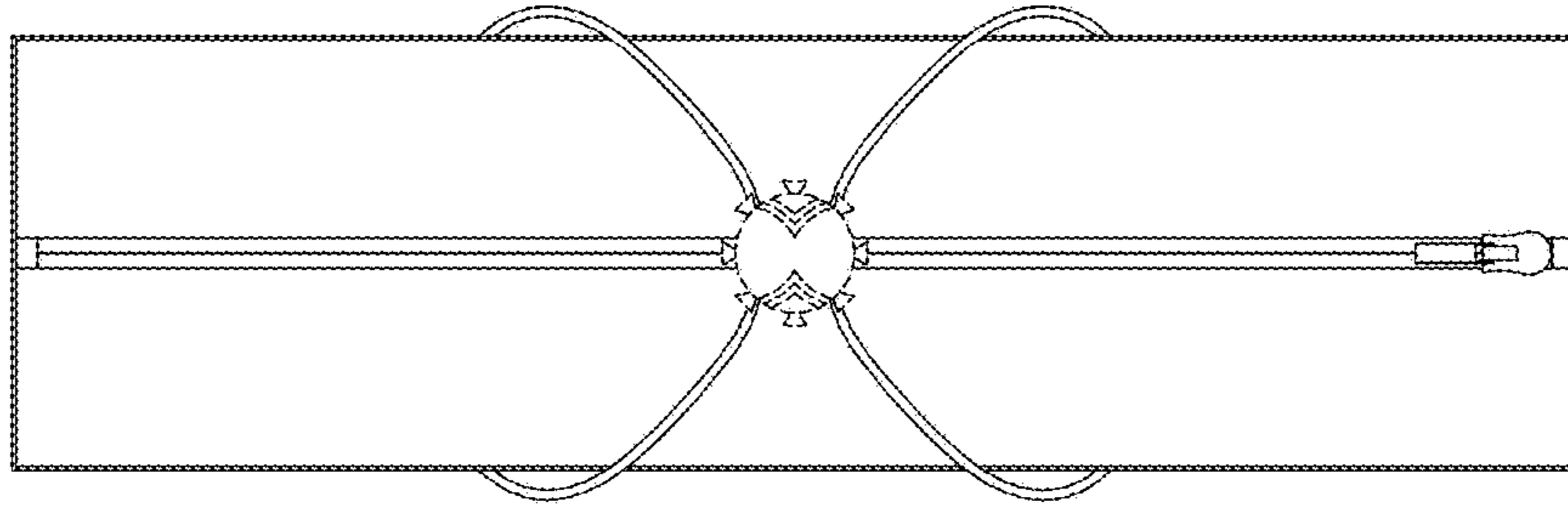


FIG. 4

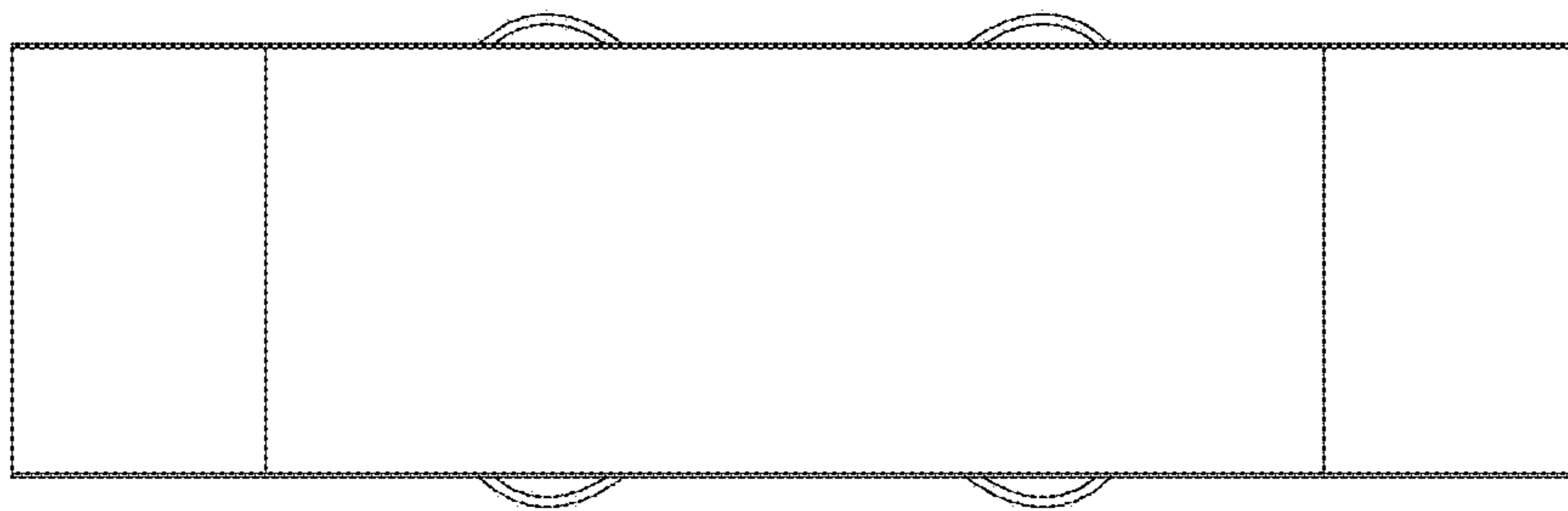


FIG. 5