



US00D869152S

(12) **United States Design Patent** (10) **Patent No.:** **US D869,152 S**  
**Faibish et al.** (45) **Date of Patent:** **\*\* Dec. 10, 2019**

(54) **DRILL HOLSTER**

(56) **References Cited**

(71) Applicant: **STANLEY BLACK & DECKER INC.**, New Britain, CT (US)

U.S. PATENT DOCUMENTS

(72) Inventors: **Abraham Faibish**, Moshav Tal Shazar (IL); **Mickey Menirom**, Raanana (IL); **Sivan Sasi**, Yehud (IL); **David Sosnovsky**, Tel Aviv (IL)

D313,507 S *	1/1991	Sawyer	.....	D3/228
D350,229 S *	9/1994	Dancyger	.....	D3/228
D448,556 S *	10/2001	Snider	.....	D3/228
D583,549 S *	12/2008	Schuyler	.....	D3/228
D711,092 S *	8/2014	Lockhart-Adams	.....	D3/228
D771,937 S *	11/2016	Kinsky	.....	D3/228
D771,938 S *	11/2016	Kinsky	.....	D3/228
D779,195 S *	2/2017	Kinsky	.....	D3/228
D779,196 S *	2/2017	Kinsky	.....	D3/228
D779,818 S *	2/2017	Kinsky	.....	D3/228
D810,425 S *	2/2018	Faibish	.....	D3/228
D812,900 S *	3/2018	Votel	.....	D3/228
D841,321 S *	2/2019	Owens	.....	D3/228

(73) Assignee: **The Stanley Works Israel Ltd.**, Rosh Ha'Avin (IL)

(\*\*) Term: **15 Years**

\* cited by examiner

(21) Appl. No.: **29/632,774**

*Primary Examiner* — Holly E Thurman

(22) Filed: **Jan. 10, 2018**

(74) *Attorney, Agent, or Firm* — Bruce S. Shapiro

**Related U.S. Application Data**

(62) Division of application No. 35/001,073, filed on Aug. 31, 2015 (U.S. filing date under 35 U.S.C. 384), and having an international filing date of Aug. 31, 2015, now Pat. No. Des. 810,425.

(57) **CLAIM**

The ornamental design for a drill holster, as shown and described.

(51) **LOC (12) Cl.** ..... **03-01**

**DESCRIPTION**

(52) **U.S. Cl.**  
USPC ..... **D3/228**

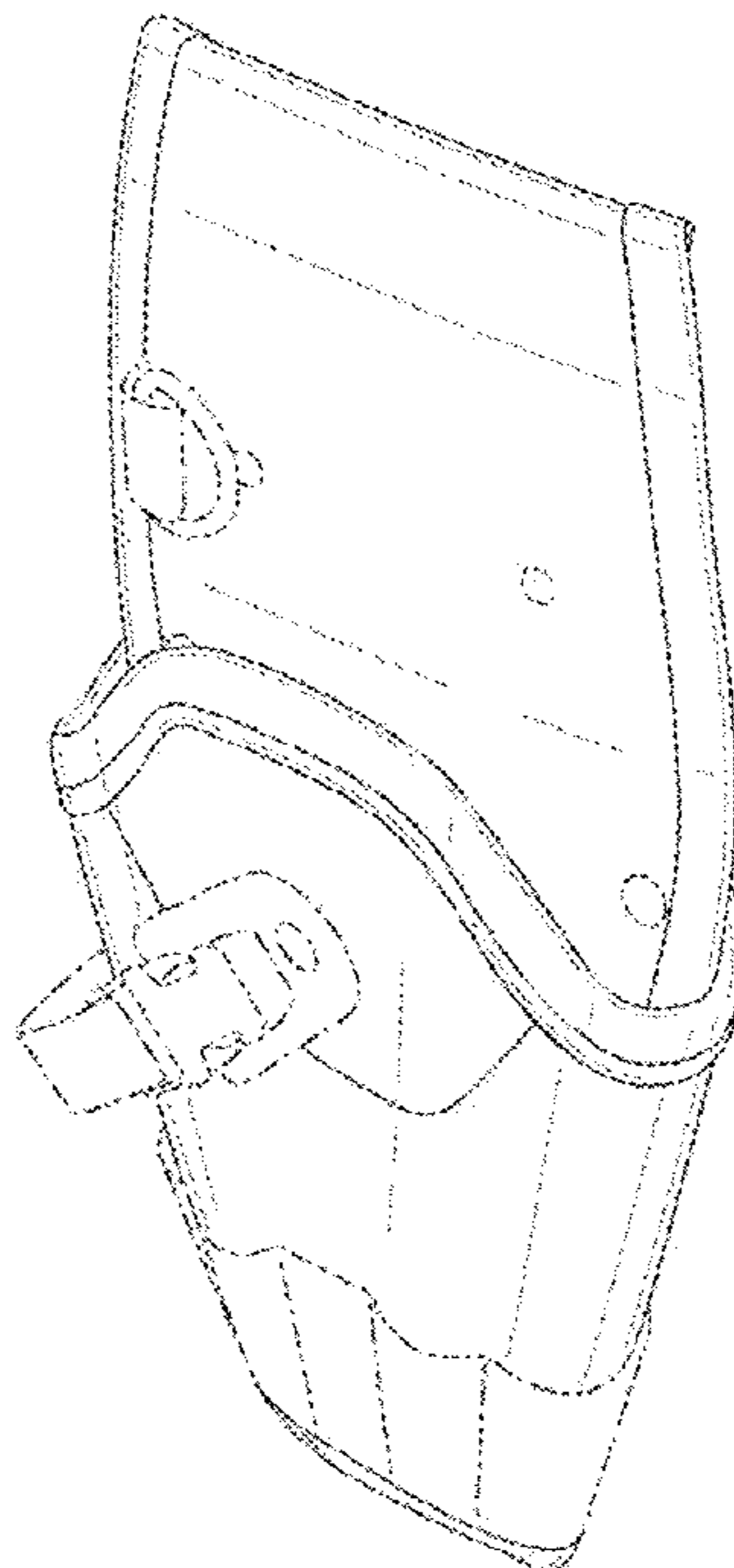
(58) **Field of Classification Search**  
USPC ..... D3/228, 224, 215, 221, 226, 247, 269, D3/299, 273, 276, 289, 293, 290, 301, D3/303, 318, 319; D9/702, 703, 705, D9/707, 709, 710, 433, 901  
CPC .... A47C 7/62; A47C 1/14; G09F 3/08; G09F 3/18; A45C 13/00; A45C 13/26; A45C 5/00

FIG. 1 is a front perspective view of our new design; FIG. 2 is a front view thereof; FIG. 3 is a back view thereof; FIG. 4 is a left side view thereof; FIG. 5 is a right side view thereof; FIG. 6 is a top view thereof; and, FIG. 7 is a bottom view thereof.

The broken lines shown in the drawings illustrate portions of the drill holster that form no part of the claimed design.

See application file for complete search history.

**1 Claim, 7 Drawing Sheets**



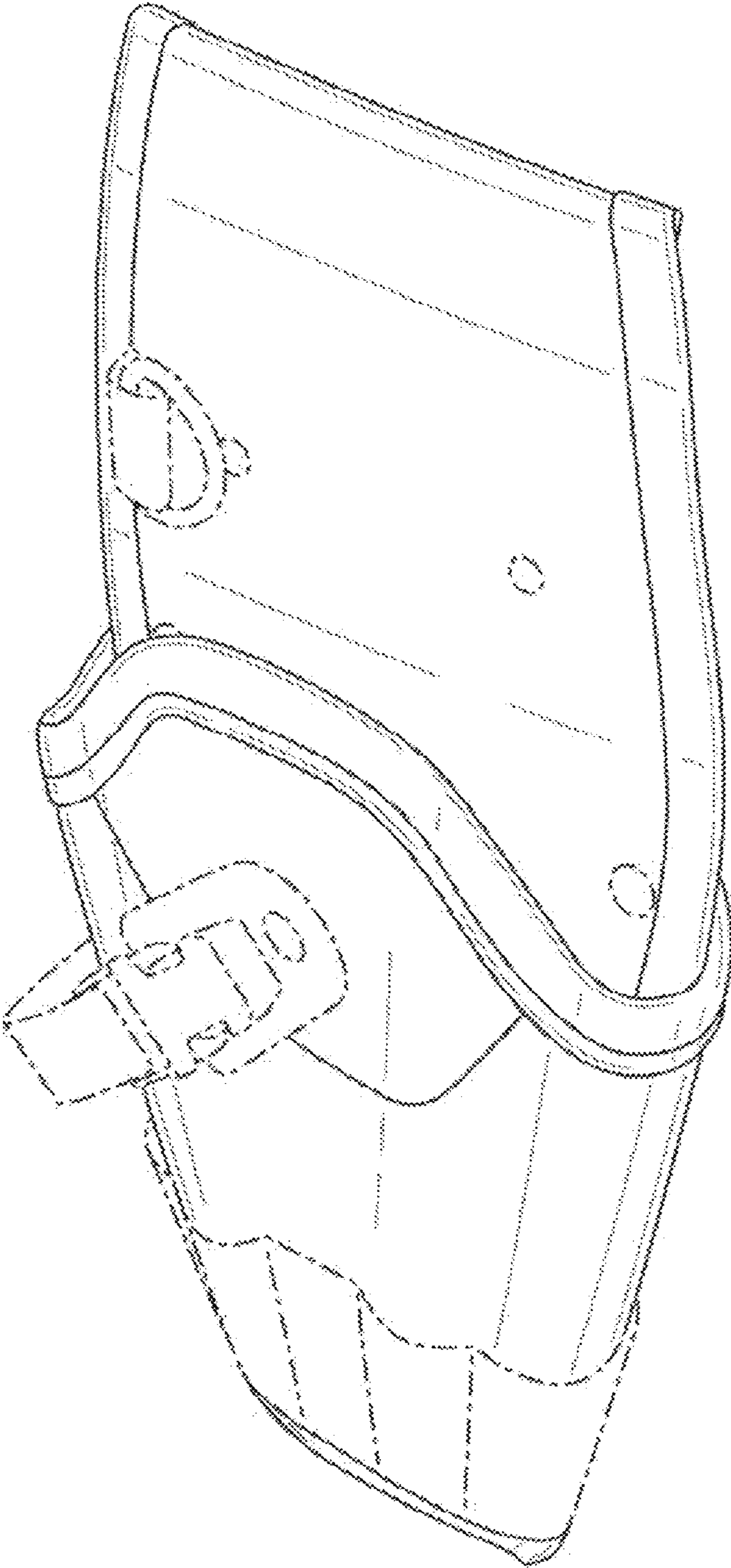


FIG. 1

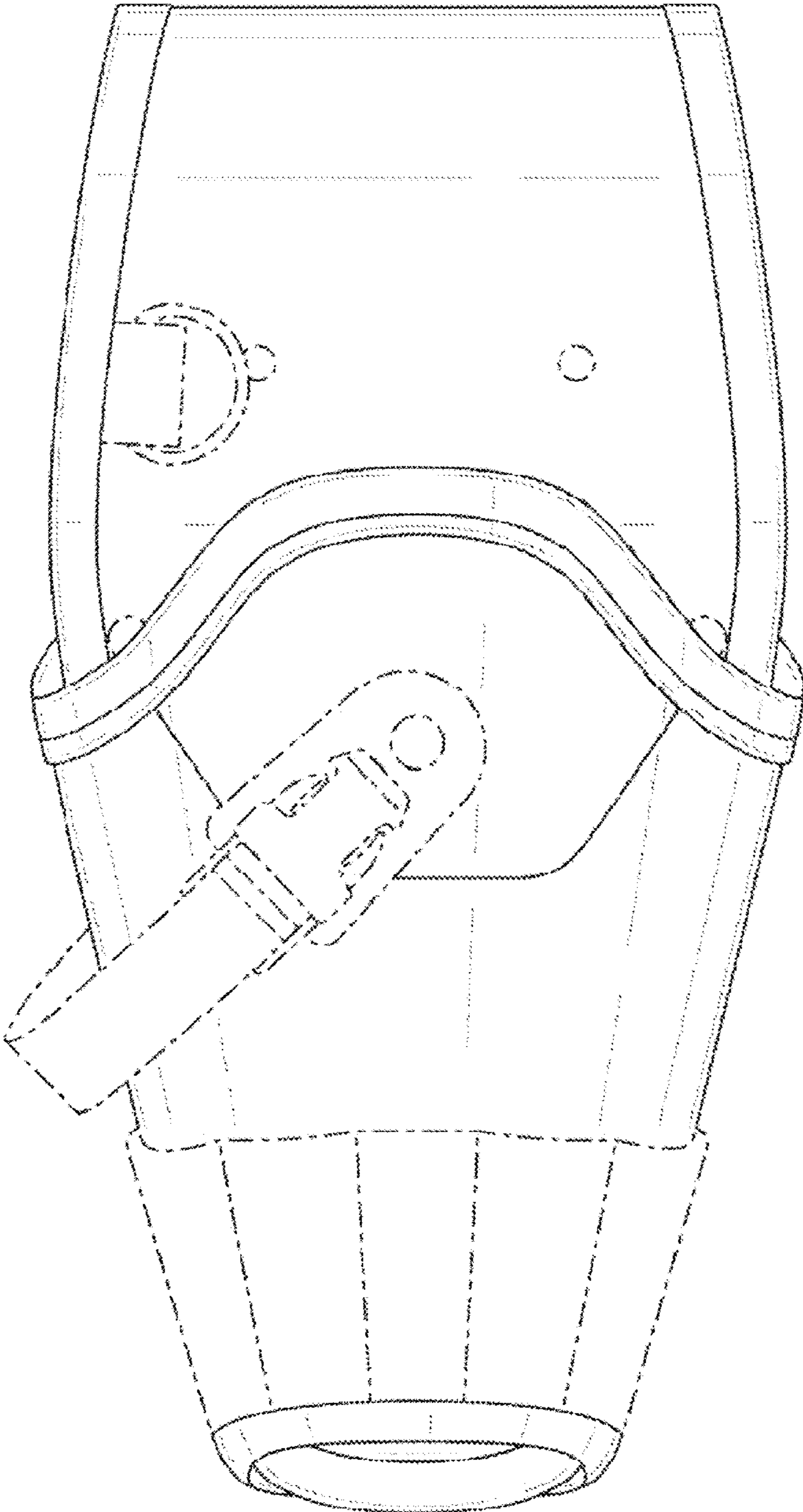


FIG. 2

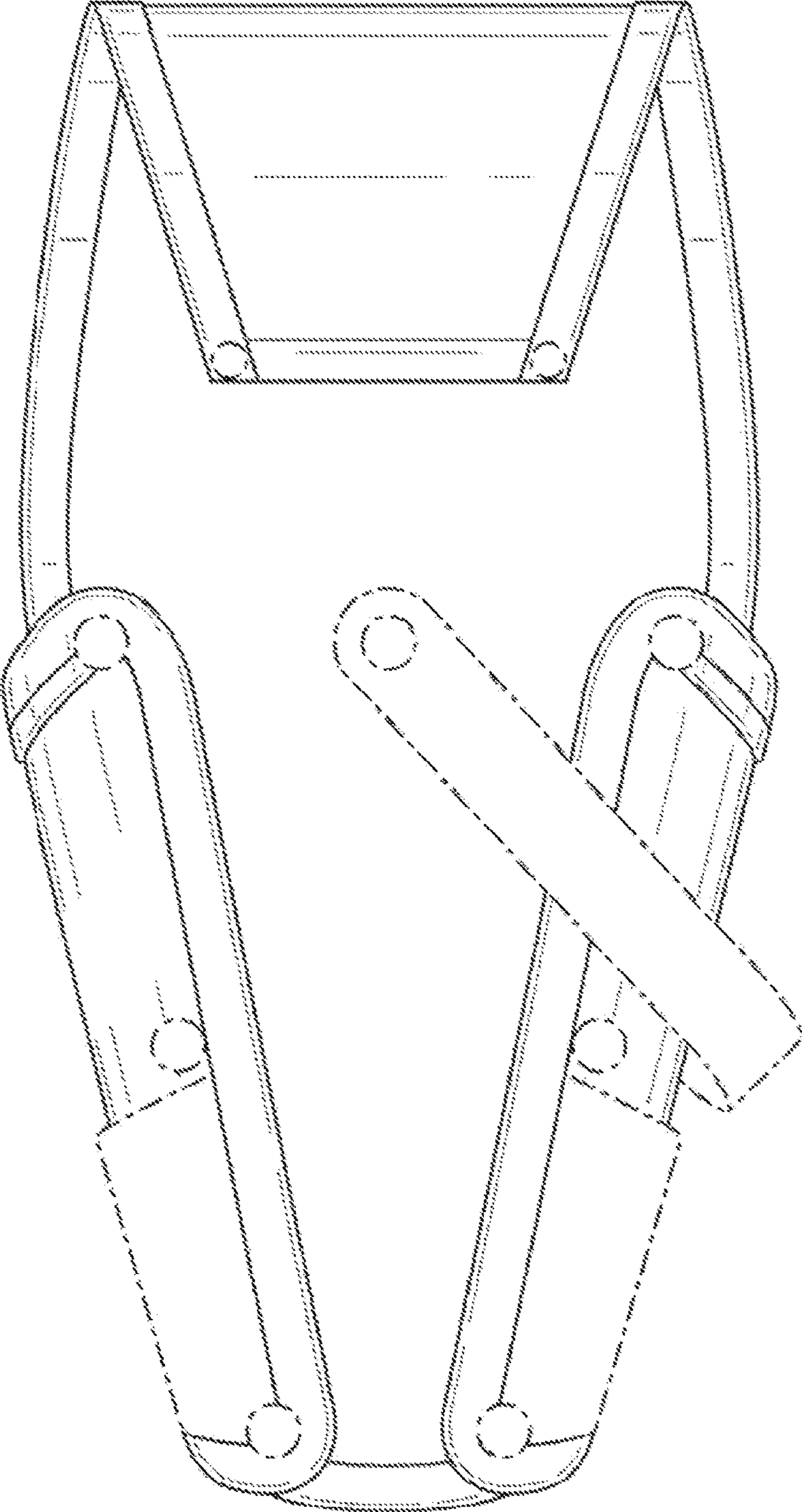


FIG. 3

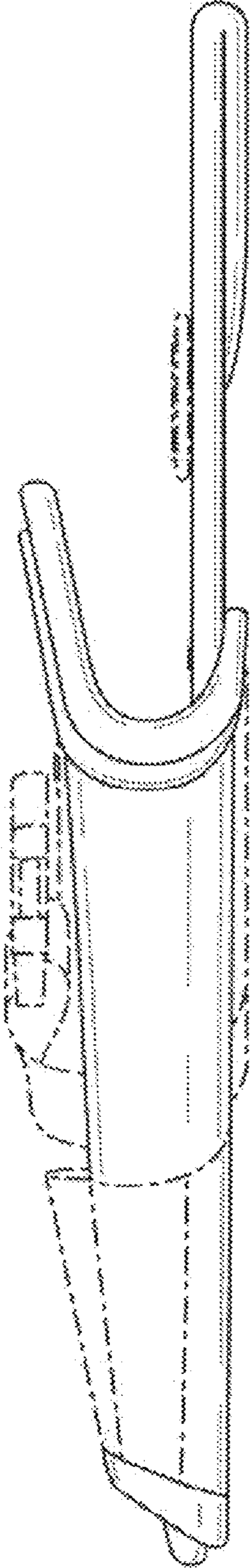


FIG. 4

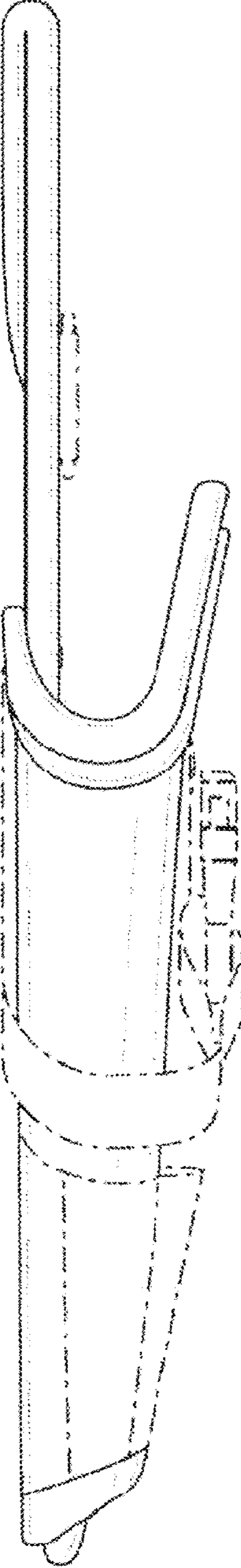


FIG. 5

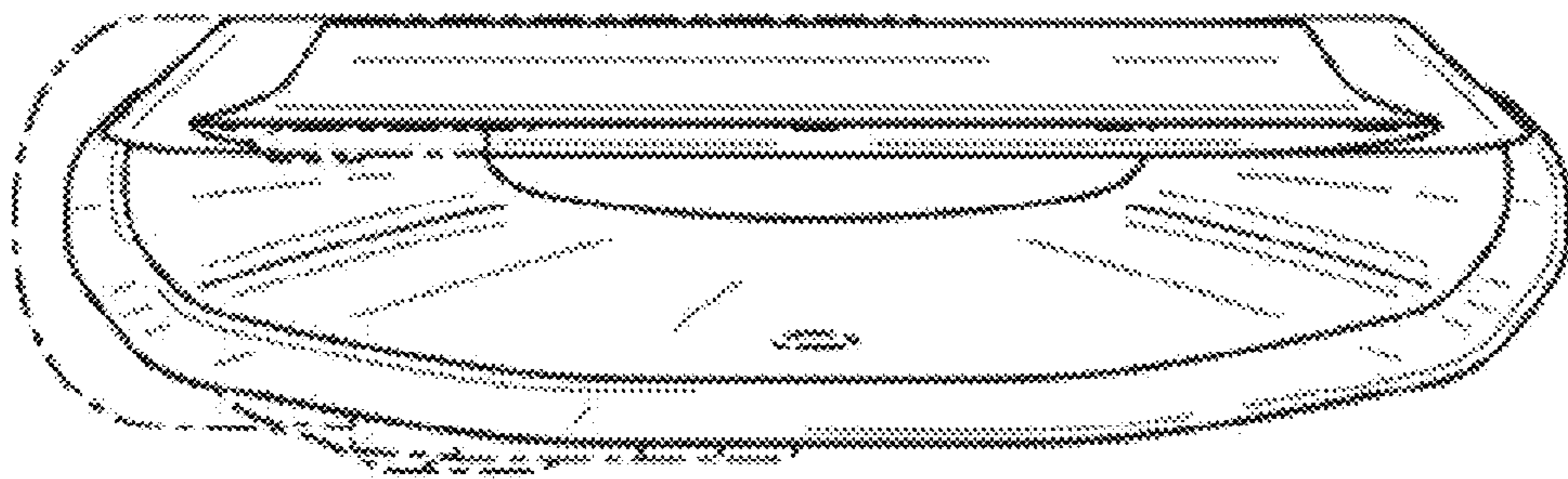


FIG. 6

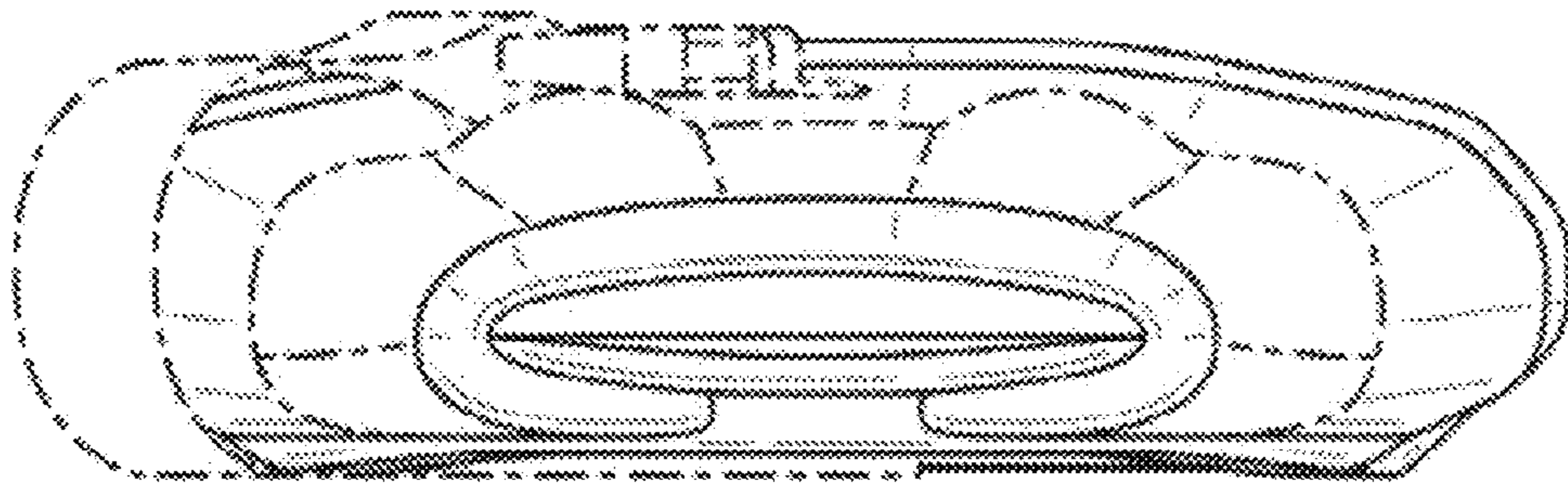


FIG.7