



US00D869151S

(12) **United States Design Patent** (10) **Patent No.:** **US D869,151 S**
Jacobsen (45) **Date of Patent:** **** Dec. 10, 2019**

- (54) **SIDEPACK**
- (71) Applicant: **RTIC IP, LLC**, Houston, TX (US)
- (72) Inventor: **James Matthew Jacobsen**, Houston, TX (US)
- (73) Assignee: **RTIC IP, LLC**, Houston, TX (US)
- (**) Term: **15 Years**
- (21) Appl. No.: **29/667,240**
- (22) Filed: **Oct. 19, 2018**
- (51) **LOC (12) Cl.** **03-01**
- (52) **U.S. Cl.**
USPC **D3/226**
- (58) **Field of Classification Search**
USPC D3/226, 224, 221, 228, 230, 283, 901;
150/107, 113-114; 190/100-105;
224/580, 610, 664, 681, 683, 908, 624,
224/674
CPC ... A45C 1/04; A45C 11/38; A45F 3/00; A45F
3/02; A45F 3/005
See application file for complete search history.

(56) **References Cited**

U.S. PATENT DOCUMENTS

| | | | |
|---------------|---------|-----------------|----------------------|
| D280,864 S | 10/1985 | Allen | |
| 4,545,414 A * | 10/1985 | Baum | A45C 1/04 150/107 |
| D351,945 S * | 11/1994 | Kopel | D3/226 |
| D406,013 S | 2/1999 | Yousko et al. | |
| D425,699 S * | 5/2000 | Lau | D3/226 |
| D429,562 S * | 8/2000 | Lau | D3/226 |
| D434,282 S | 11/2000 | Daw | |
| D459,876 S * | 7/2002 | Smith | D3/226 |
| D516,870 S | 3/2006 | Martinez et al. | |
| D618,966 S | 7/2010 | Koehler et al. | |
| D668,456 S | 10/2012 | Du | |
| 8,281,950 B2 | 10/2012 | Potts et al. | |
| D732,348 S | 6/2015 | Seiders et al. | |

- D732,349 S 6/2015 Seiders et al.
- D732,350 S 6/2015 Seiders et al.
- D732,899 S 6/2015 Seiders et al.
- D752,347 S 3/2016 Seiders et al.
- D786,559 S 5/2017 Seiders et al.
- D786,560 S 5/2017 Seiders et al.
- D786,561 S 5/2017 Seiders et al.
- D786,562 S 5/2017 Seiders et al.
- D787,187 S 5/2017 Seiders et al.

(Continued)

OTHER PUBLICATIONS

U.S. Appl. No. 29/624,460, filed Nov. 1, 2017, Jacobsen.

(Continued)

Primary Examiner — Catherine R Oliver-Garcia
(74) *Attorney, Agent, or Firm* — Fish & Richardson P.C.

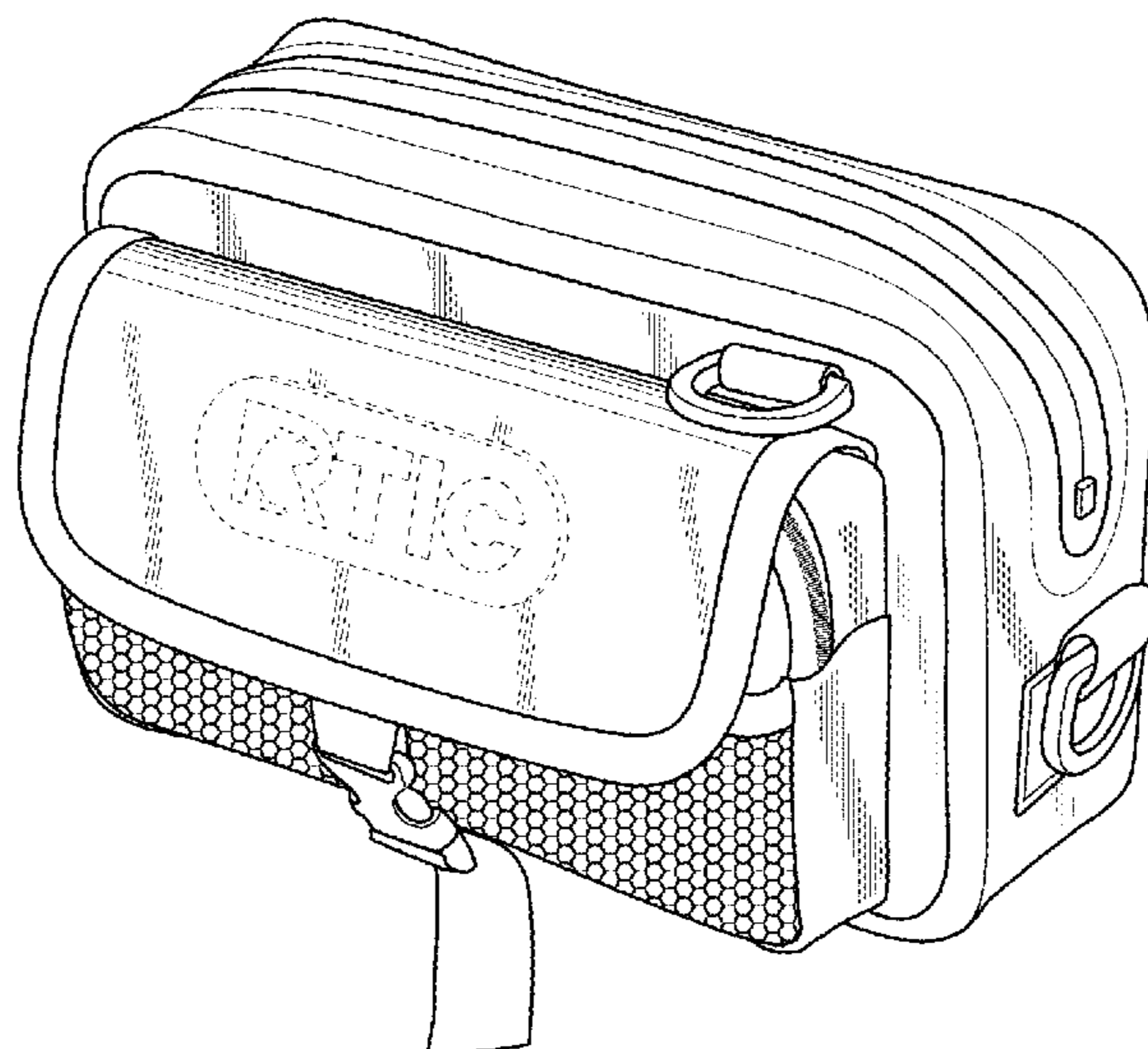
(57) **CLAIM**

The ornamental design for a sidepack, as shown and described.

DESCRIPTION

FIG. 1 is a perspective view of a sidepack showing my new design.
 FIG. 2 is a top view thereof.
 FIG. 3 is a bottom view thereof.
 FIG. 4 is a front view thereof.
 FIG. 5 is a rear view thereof
 FIG. 6 is a left side view thereof; and,
 FIG. 7 is a right side view thereof.
 The dashed broken lines in the drawings illustrate a logo and forms no part of the claimed design. The RTIC logo in the drawings is a registered trademark of RTIC IP LLC and forms no part of the claimed design.
 The surface shading and contour lines shown in the drawings represent the three-dimensional character and contour of the article, and are not intended to illustrate material, surface ornamentation or surface decoration.

1 Claim, 2 Drawing Sheets



(56)

References Cited

U.S. PATENT DOCUMENTS

| | | |
|-----------------|---------|----------------|
| D790,933 S | 7/2017 | Solly |
| D797,454 S | 9/2017 | Seiders et al. |
| D797,455 S | 9/2017 | Seiders et al. |
| D798,670 S | 10/2017 | Seiders et al. |
| D799,276 S | 10/2017 | Seiders et al. |
| D799,277 S | 10/2017 | Seiders et al. |
| D801,123 S | 10/2017 | Seiders et al. |
| D802,373 S | 11/2017 | Seiders et al. |
| D814,879 S | 4/2018 | Larson et al. |
| D855,994 S | 8/2019 | Munie |
| 2016/0355319 A1 | 12/2016 | Stephens |

OTHER PUBLICATIONS

U.S. Appl. No. 29/624,463, filed Nov. 1, 2017, Jacobsen.

U.S. Appl. No. 29/674,482, filed Dec. 21, 2018, Jacobsen.

“amazon.com” [online]. “Maxpedition Hook-&-Loop 3”x5” Zipper Pocket Organizer Pouch, “Published on or before October 31, 2017, Retrieved from the Internet: URL<https://www.amazon.com/MX3526KF-BRK-Hook-Loop-Zipper-Pocket/dp/B005MVAQXI/ref=sr_1_155?ie=UTF8&qid=1521054377&sr=8-155&keywords=zipper+pouch>. 7 pages”.

“amazon.com” [online]. “N. Gil Large Travel Cosmetic Pouch Bag 2 (Stone Wash Blue)” Published on or before Oct. 31, 2017, Retrieved from the Internet: URL<https://www.amazon.com/Large-Travel-Cosmetic-Pouch-Stone/dp/B06XCYY9KL/ref=sr_1_270_a_it?ie=UTF8&qid=1521055190&sr=8-270&keywords=zipper%2Bpouch&th=1>. 7 pages.

“amazon.com” [online]. “Pencil Case, Vaschy Large Capacity Pen Holder Pouch with Double Zippers Multi Compartments Easy Organized Mesh Pockets Black,” Published on or before Oct. 31, 2017, Retrieved from the Internet: URL<<https://www.amazon.com/Vaschy-Capacity-Zippers-Compartments-Organized/dp/>

B073WW21PV/ref=sr_1_166?ie=UTF8&qid=1521054450&sr=8-166&keywords=zipper+pouch>. 9 pages.

“amazon.com” [online]. “ProCase Accessories Bag Organizer Power Bank Case, Electronics Accessory Travel Gear Organize Case, Cable Management Hard Drive Bag—Black,” Published on or before Oct. 31, 2017, Retrieved from the Internet: URL<https://www.amazon.com/ProCase-Accessories-Organizer-Electronics-Management/dp/B01N1IUOTE/ref=sr_1_206?ie=UTF8&qid=1521054542&sr=8-206&keywords=zipper+pouch>. 10 pages.

“amazon.com” [online]. “ProCase Cosmetic Makeup Bag Brush Holder Case Organizer Beauty Storage Bag with Hand Strap Makeup Handbag for Travel and Household Storage—Black,” https://www.amazon.com/ProCase-Cosmetic-Organizer-Storage-Household/dp/B076S8W75T/ref=sr_1_130_sspa?ie=UTF8&qid=1521054314&sr=8-130-spons&keywords=zipper+pouch&psc=1>. 7 pages.

“amazon.com” [online]. “Travel Electronics Organizer Clear Pouch, Small Travel Accessories Bag for Chargers Headphones USB Cables & More,” Published on or before Oct. 31, 2017, Retrieved from the Internet: URL<https://www.amazon.com/Electronics-Organizer-Accessories-Chargers-Headphones/dp/B075M6ZP4T/ref=sr_1_200?ie=UTF8&qid=1521054542&sr=8-200&keywords=zipper+pouch>. 7 pages.

“amazon.com” [online]. “TSA Approved Toiletry Bag—Clear Travel Bag for Men and Women to Carry on your Makeup and Toiletries (2 Pack),” Published on or before Oct. 31, 2017, Retrieved from the Internet: URL<https://www.amazon.com/TSA-Approved-Toiletry-Bag-Toiletries/dp/B074NXG4P5/ref=sr_1_19_sspa?ie=UTF8&qid=1521054094&sr=8-19-spons&keywords=zipper%2Bpouch&th=1>. 7 pages.

“personalizationmall.com” [online]. Published on or before Oct. 31, 2017, Retrieved from the Internet: URL<<https://www.personalizationmall.com/Mens-Toiletly-Bag-Embroidered-Monogram-i55523.item?productid=17382>>. 4 pages.

* cited by examiner

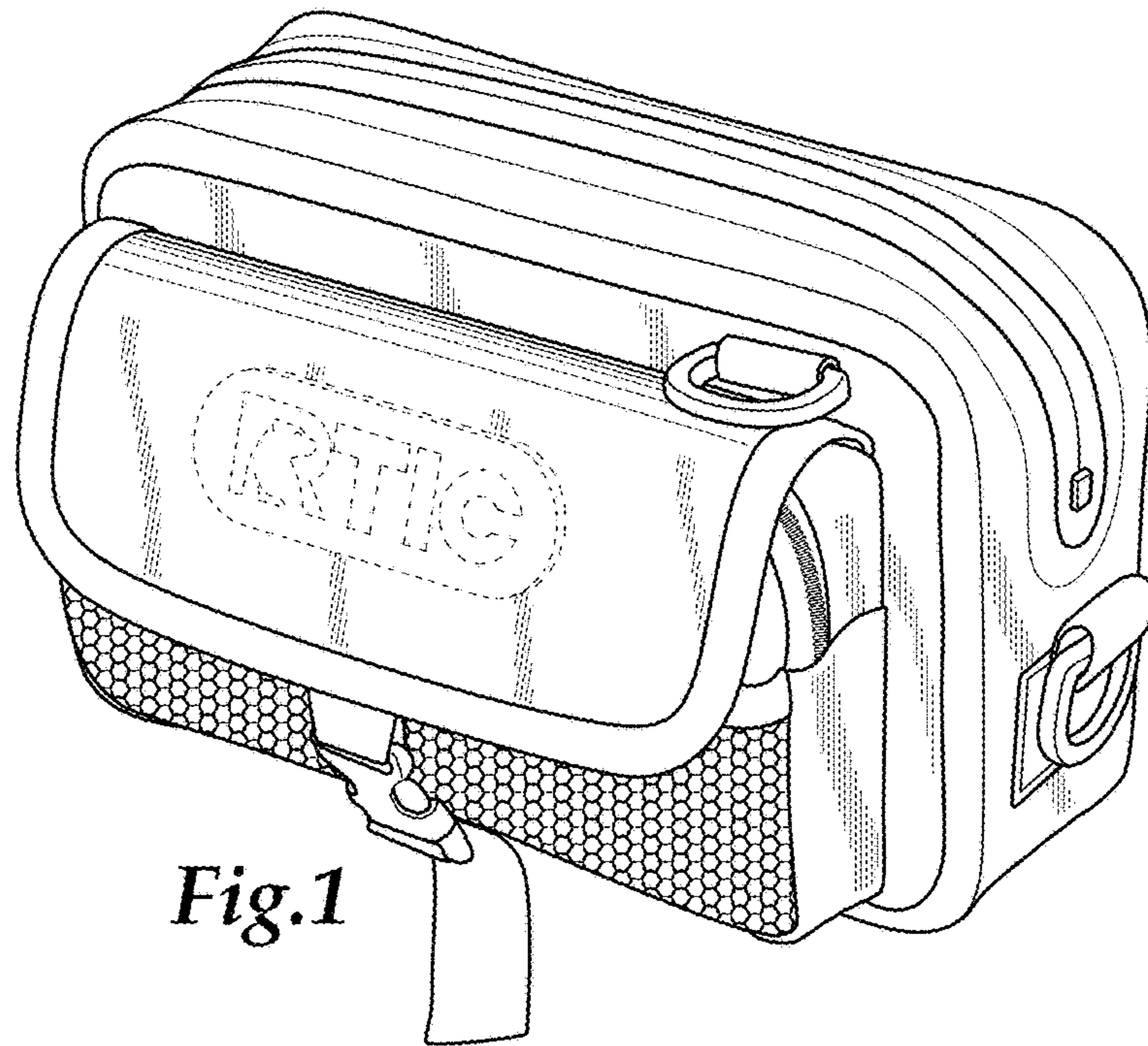


Fig.1

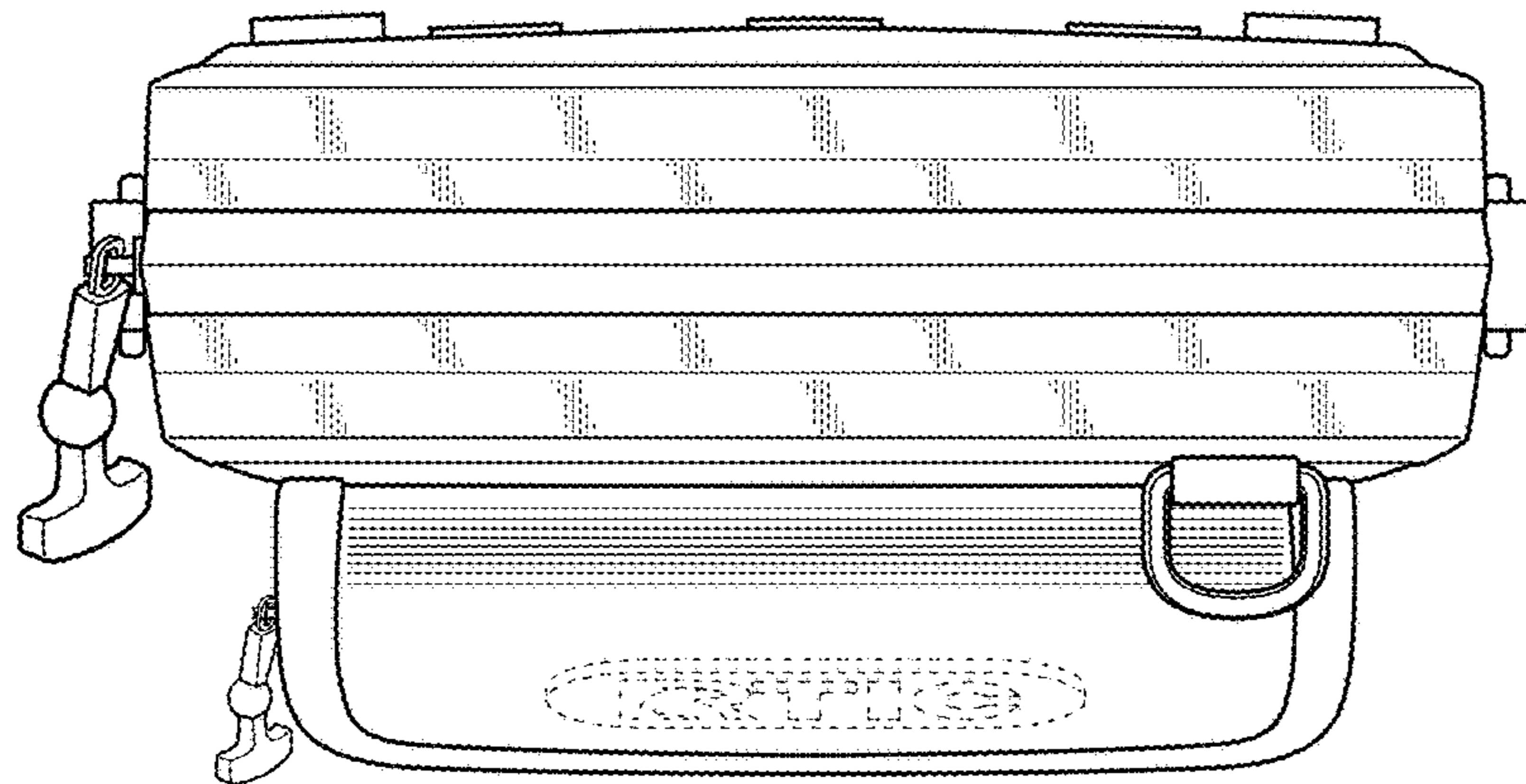


Fig.2

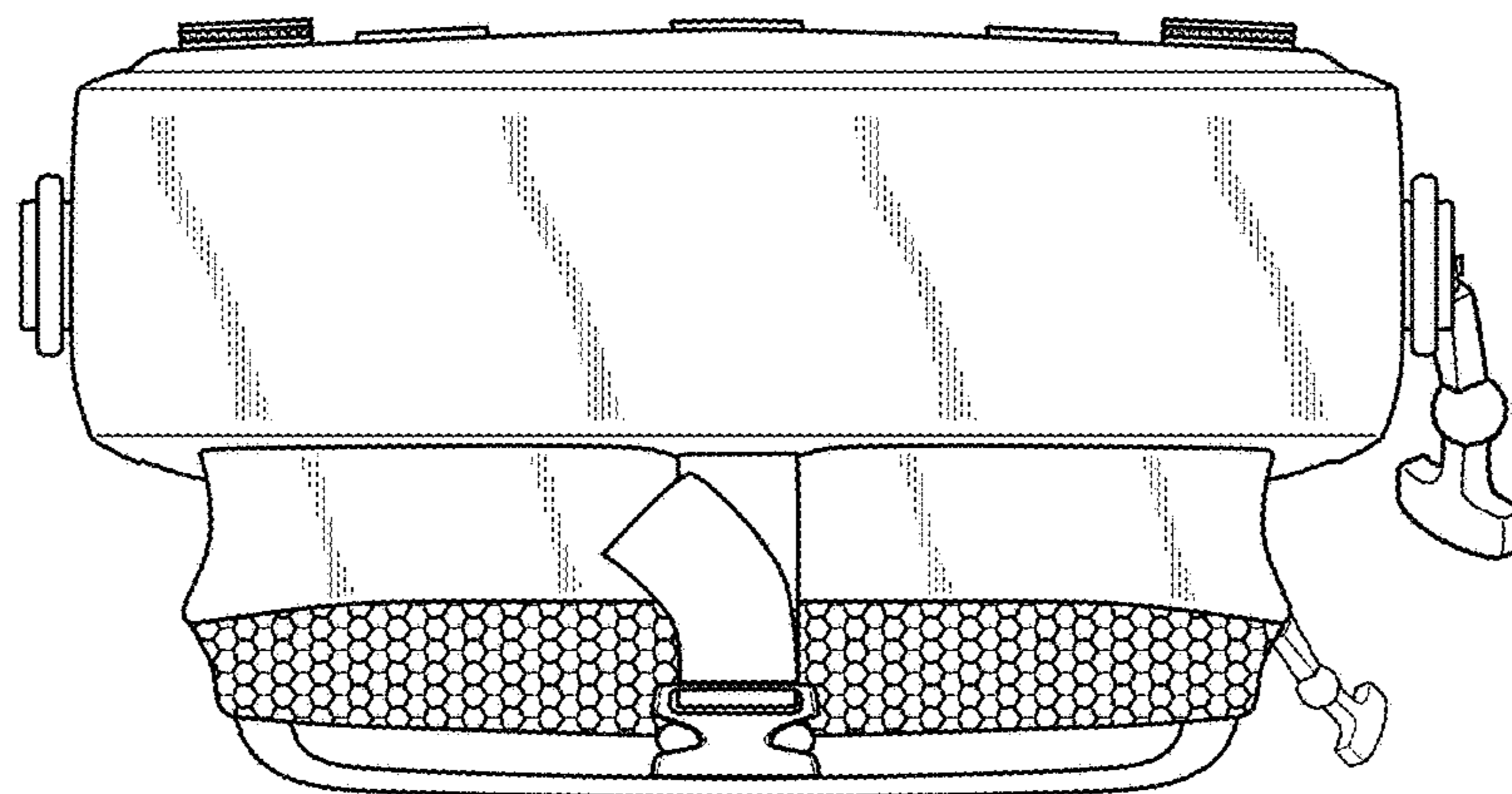


Fig.3

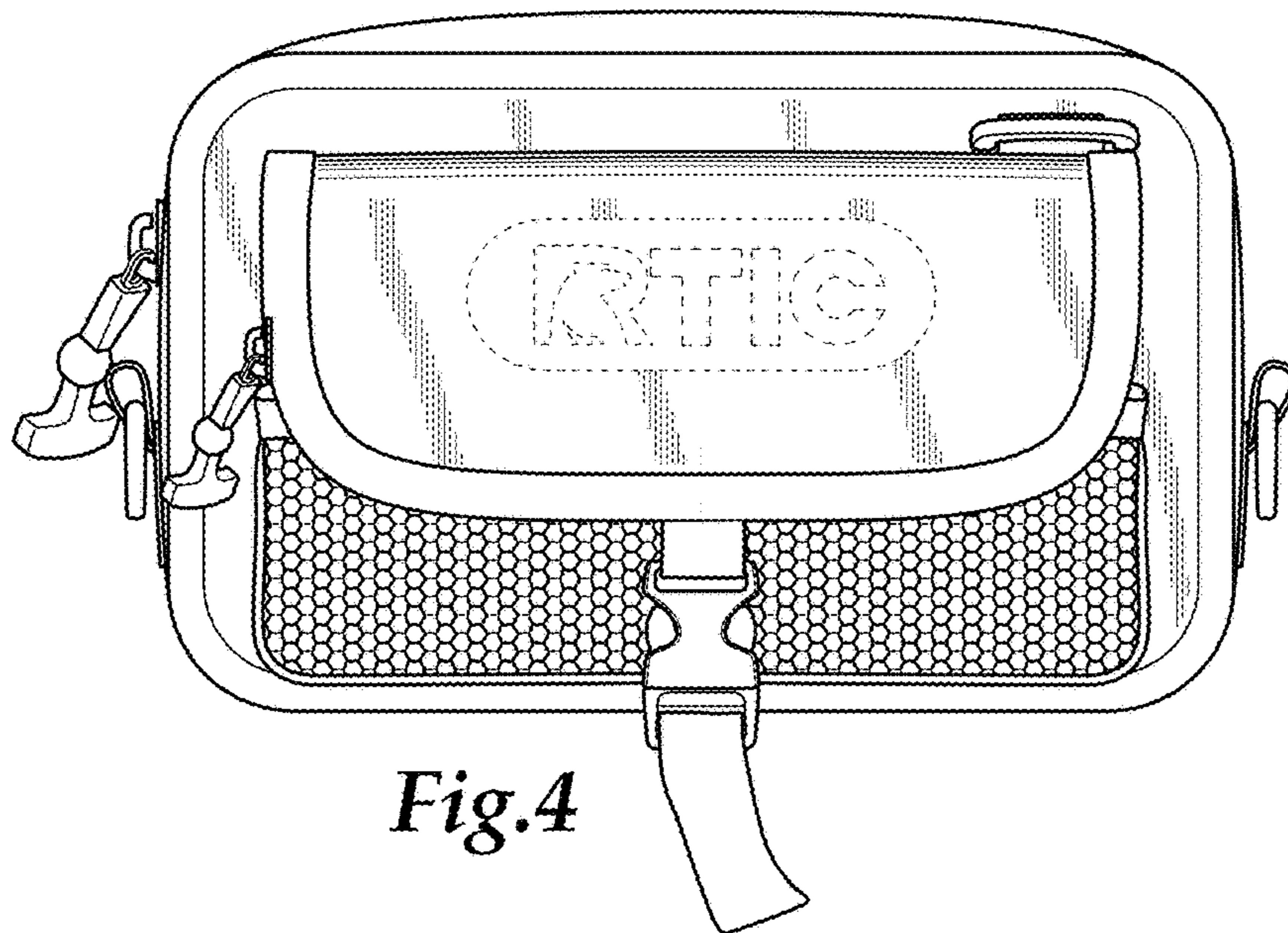


Fig. 4

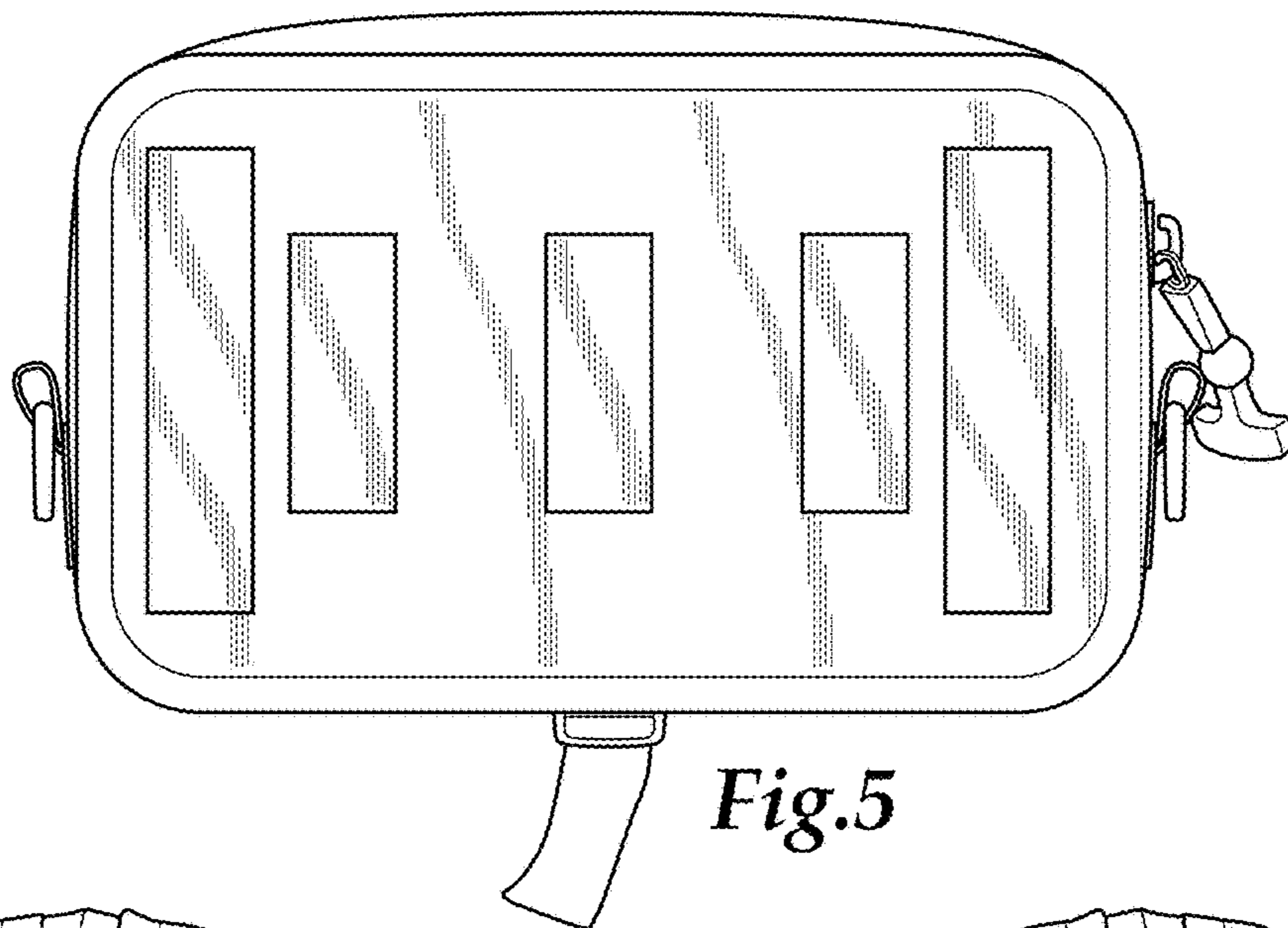


Fig. 5

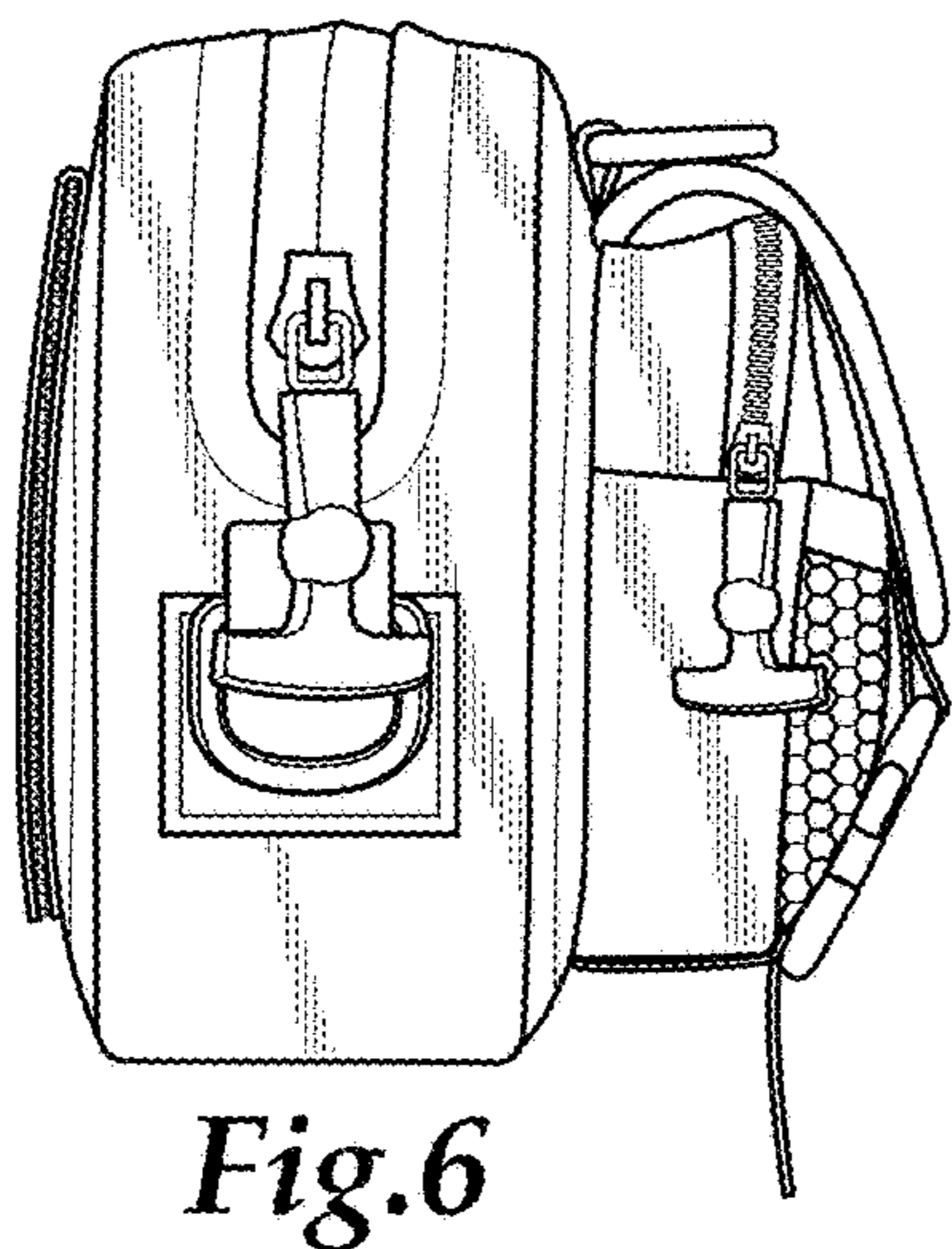


Fig. 6

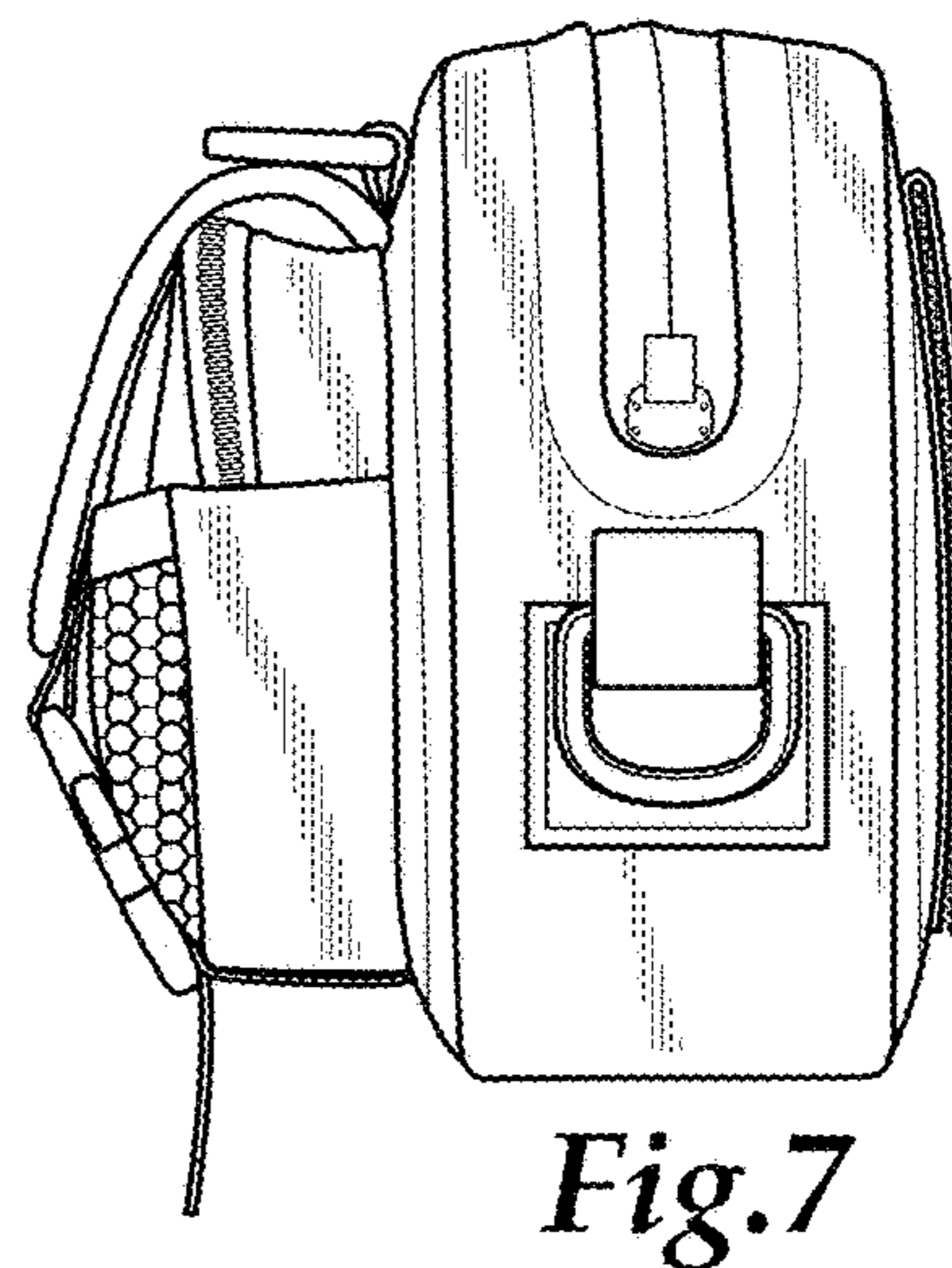


Fig. 7