



US00D869150S

(12) **United States Design Patent**
Breitner

(10) **Patent No.:** **US D869,150 S**

(45) **Date of Patent:** **** Dec. 10, 2019**

(54) **MOBILE DEVICE MOUNT**

(71) Applicant: **Daniel Breitner**, Miami, FL (US)

(72) Inventor: **Daniel Breitner**, Miami, FL (US)

(**) Term: **15 Years**

(21) Appl. No.: **29/630,436**

(22) Filed: **Dec. 21, 2017**

(51) **LOC (12) Cl.** **03-01**

(52) **U.S. Cl.**
USPC **D3/218; D14/253**

(58) **Field of Classification Search**
USPC D14/251–253, 358, 432, 434, 440, 447;
D3/218; D16/242, 243; D12/415;
D13/107, 108
CPC A45C 11/00; A45F 5/00; F16M 11/06
See application file for complete search history.

(56) **References Cited**

U.S. PATENT DOCUMENTS

D329,749 S *	9/1992	Scheid	D3/218
D369,465 S *	5/1996	Scheid	D3/218
7,594,631 B1 *	9/2009	Carnevali	B60R 11/0241 248/219.4
D610,579 S *	2/2010	Behar	D14/250
D649,347 S *	11/2011	Smith	D3/218
D656,931 S *	4/2012	Wikel	D14/253
D656,932 S *	4/2012	Wikel	D12/415
D657,355 S *	4/2012	Wikel	D14/253
D661,482 S *	6/2012	Chang	D3/218

D661,483 S *	6/2012	Weller	D3/218
D683,955 S *	6/2013	Melanson	D3/218
D690,689 S *	10/2013	Wikel	D14/253
D690,690 S *	10/2013	Wikel	D14/253
D693,802 S *	11/2013	Wikel	D14/253
D718,296 S *	11/2014	Namminga	D14/253
D765,393 S *	9/2016	Kim	D14/253
D776,916 S *	1/2017	Yeruva	D14/253
D807,635 S *	1/2018	Clover	D3/218
D808,641 S *	1/2018	Clover	D3/218
2013/0299533 A1 *	11/2013	Gronewoller	A45F 5/021 224/191

* cited by examiner

Primary Examiner — Janice Hallmark

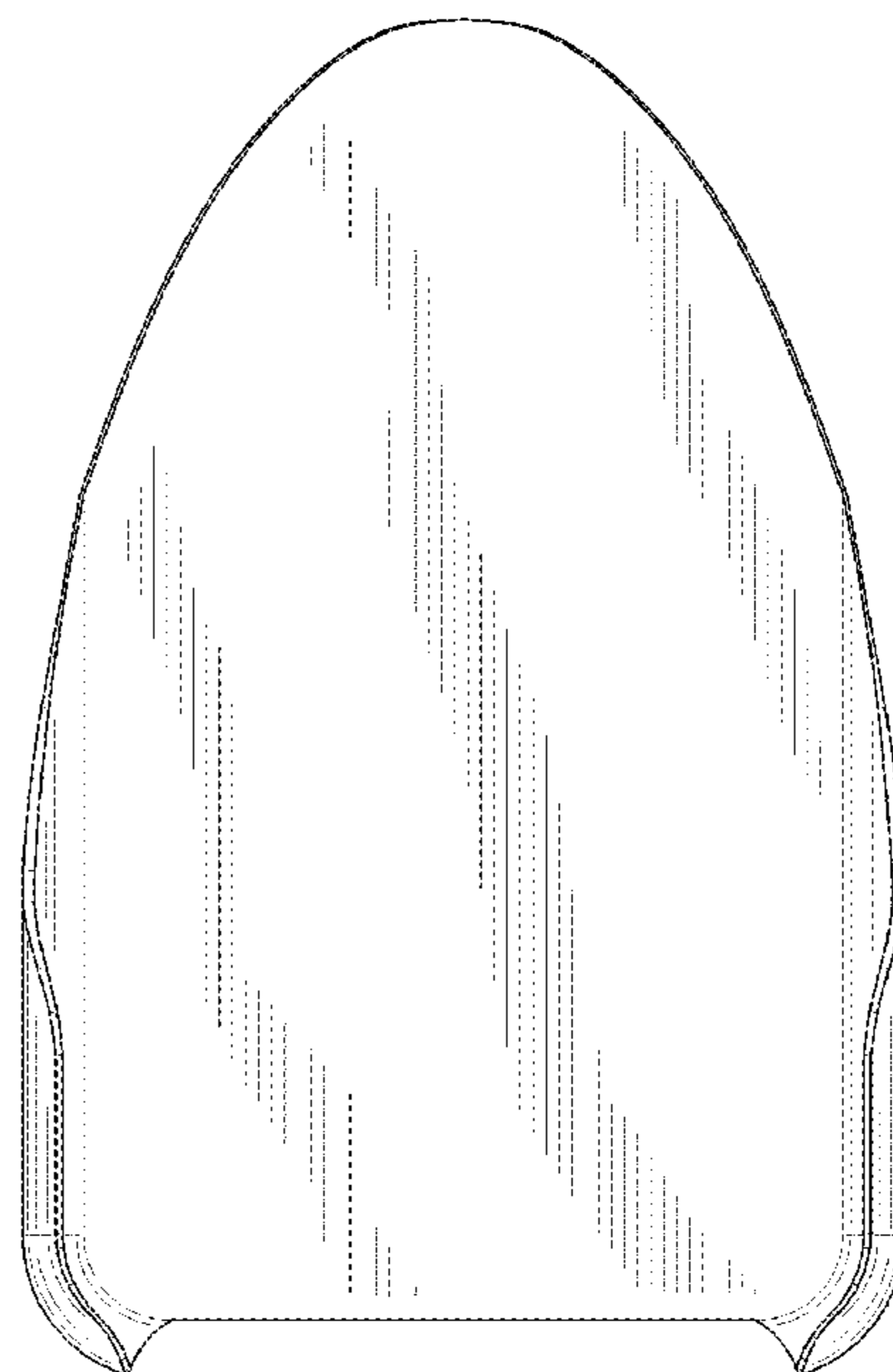
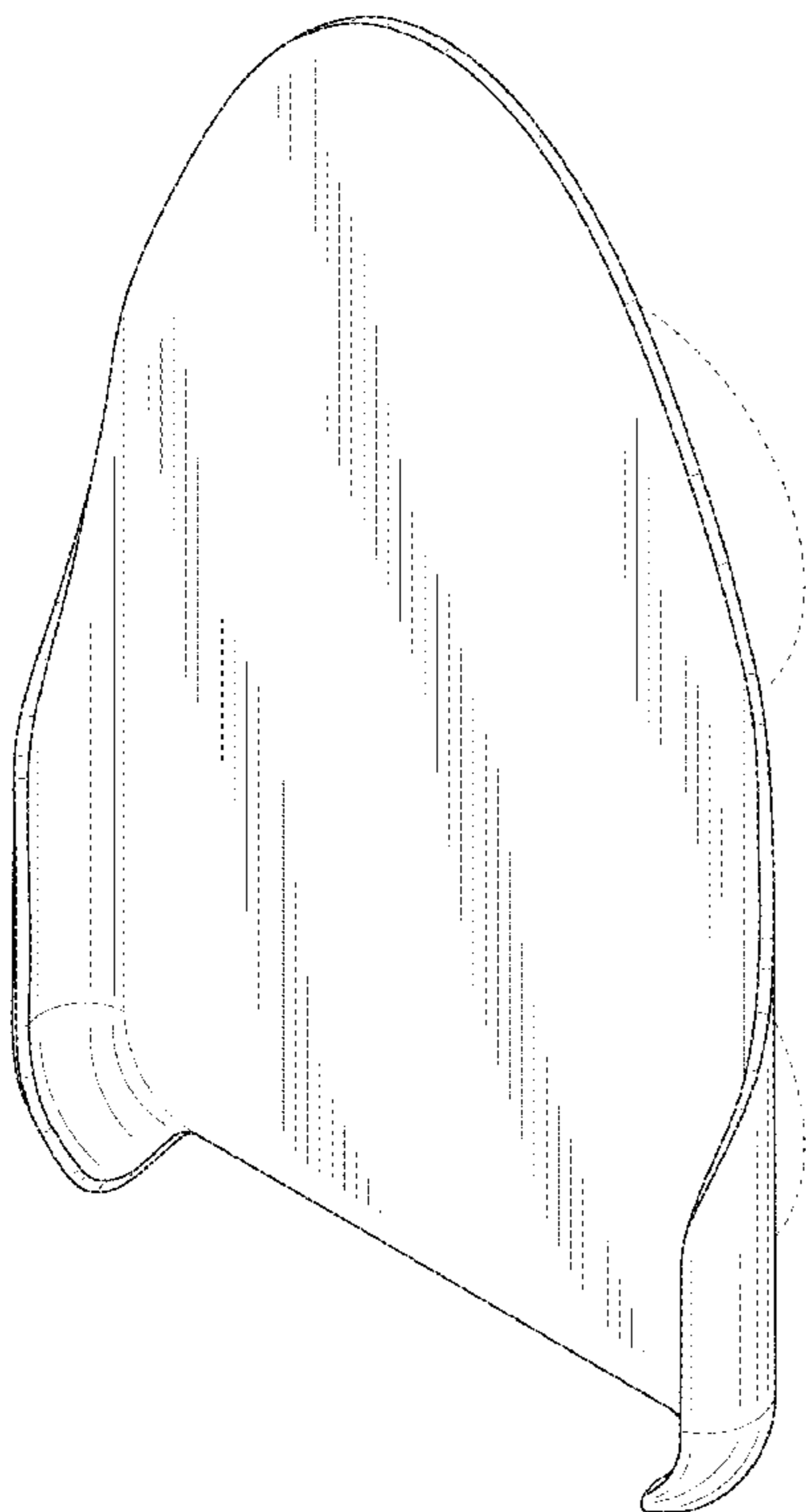
(57) **CLAIM**

The ornamental design for a mobile device mount, substantially as shown and described.

DESCRIPTION

FIG. 1 is a top perspective view of my new design; FIG. 2 is a front elevational view of the design of FIG. 1; FIG. 3 is a rear elevational view of the design of FIG. 1; FIG. 4 is a left side elevational view of the design of FIG. 1; FIG. 5 is a right side elevational view of the design of FIG. 1; FIG. 6 is a top plan view of the design of FIG. 1; and, FIG. 7 is a bottom plan view of the design of FIG. 1. The broken lines in the figures depict portions of the mobile device mount that are shown for reference and form no part of the claimed design.

1 Claim, 5 Drawing Sheets



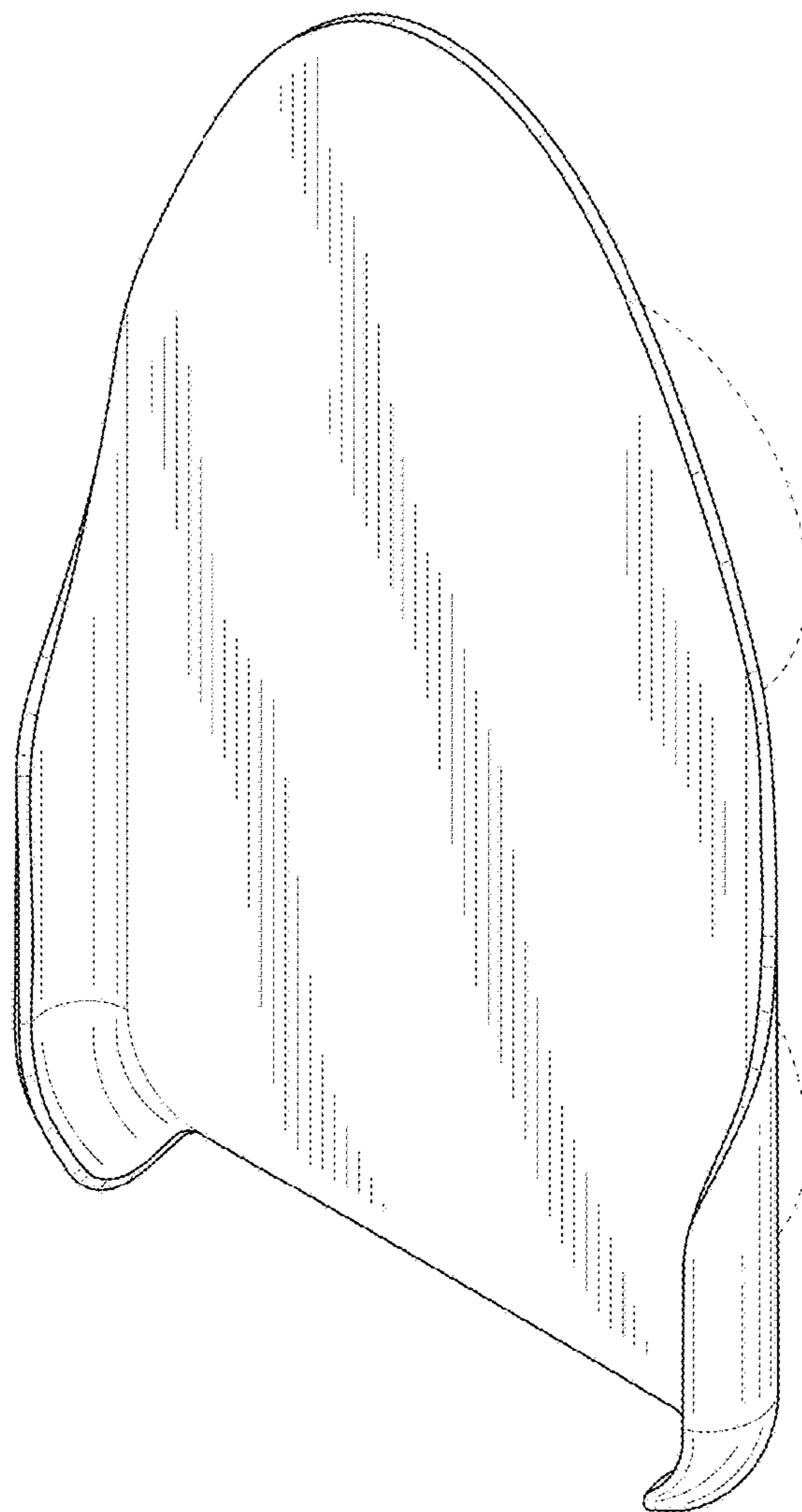


FIG. 1

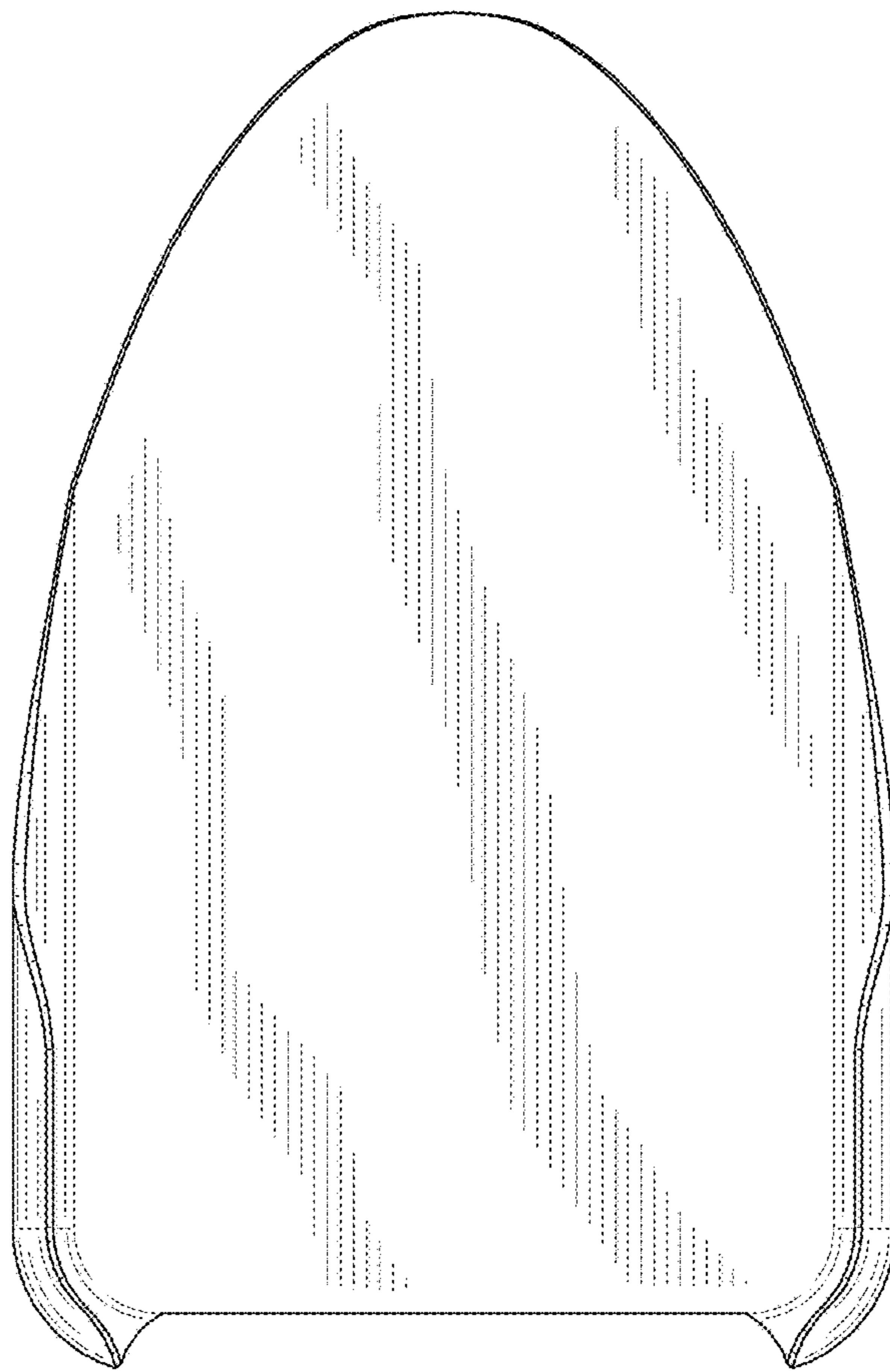


FIG. 2

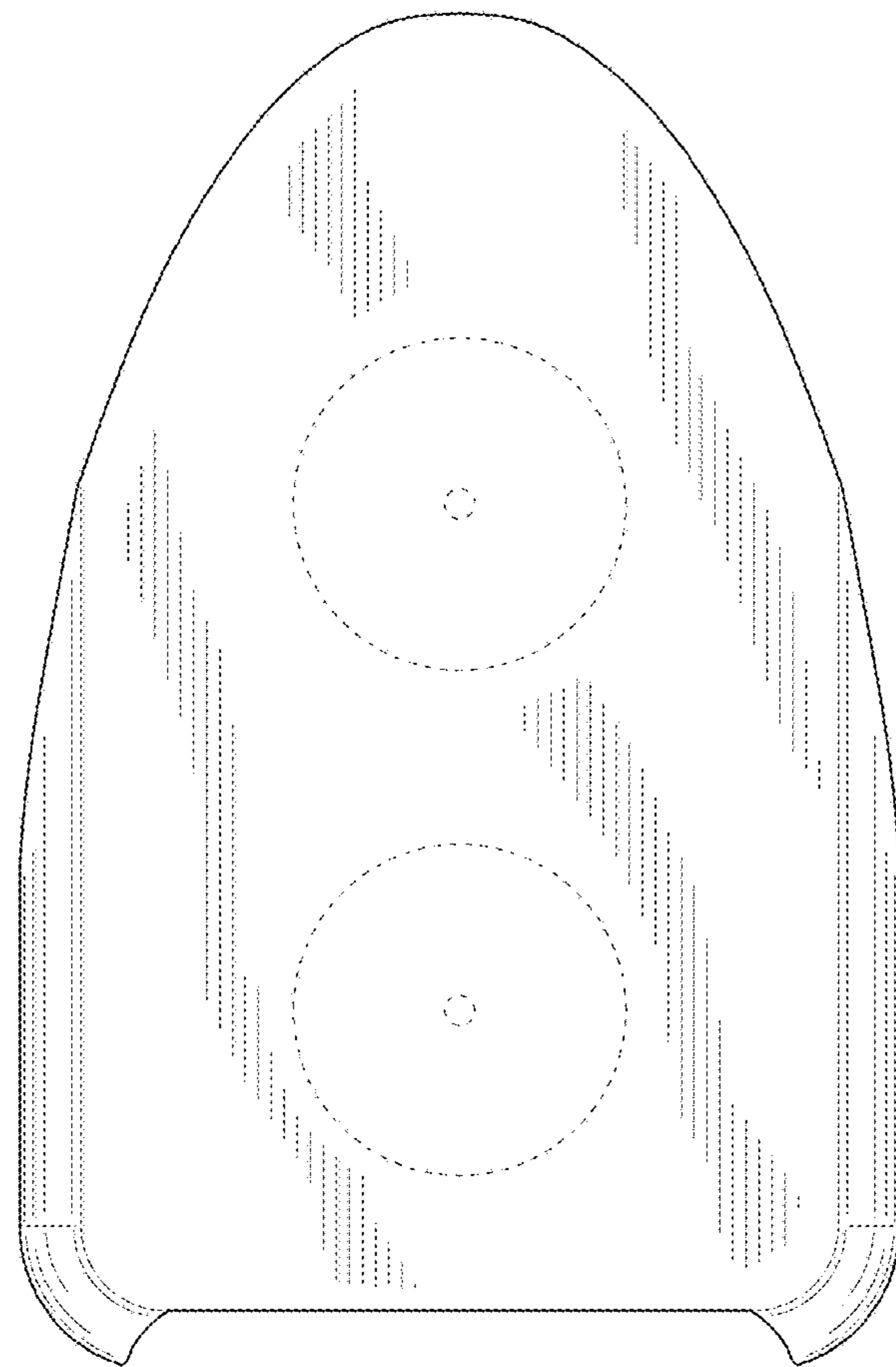


FIG. 3

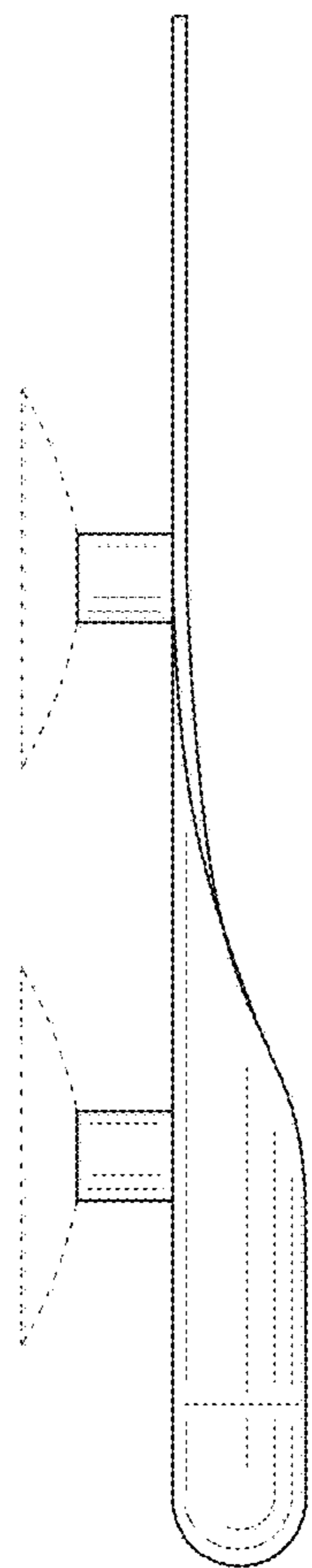


FIG. 4

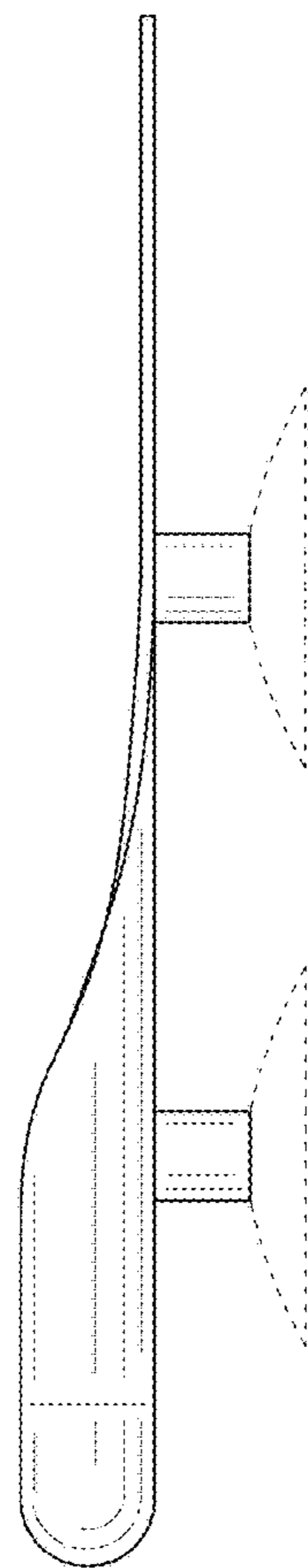


FIG. 5

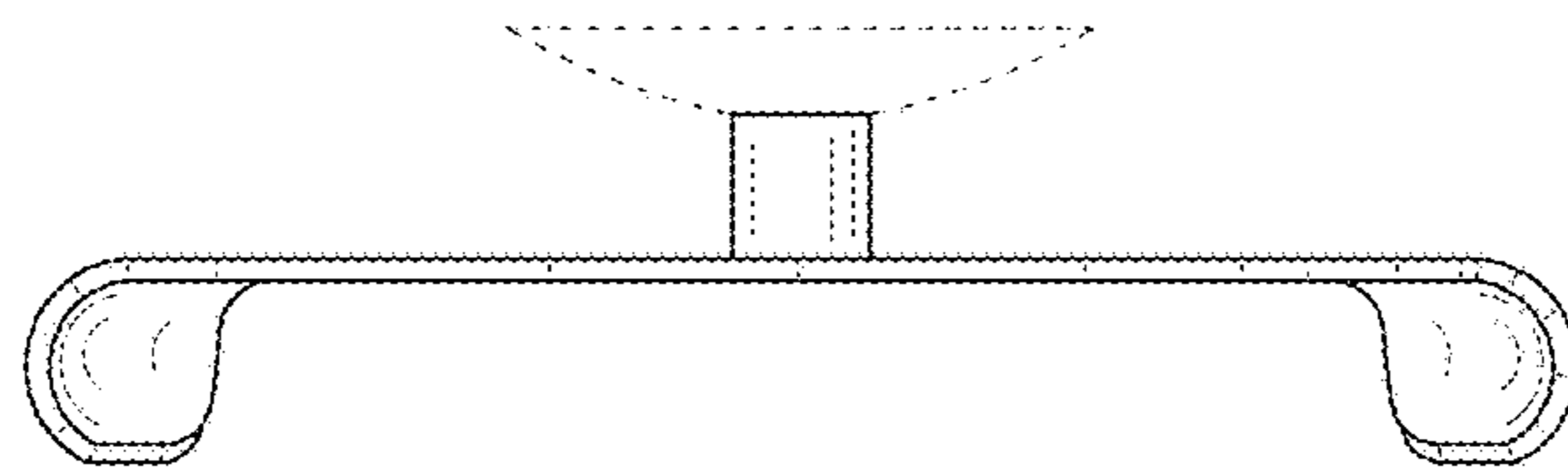


FIG. 6

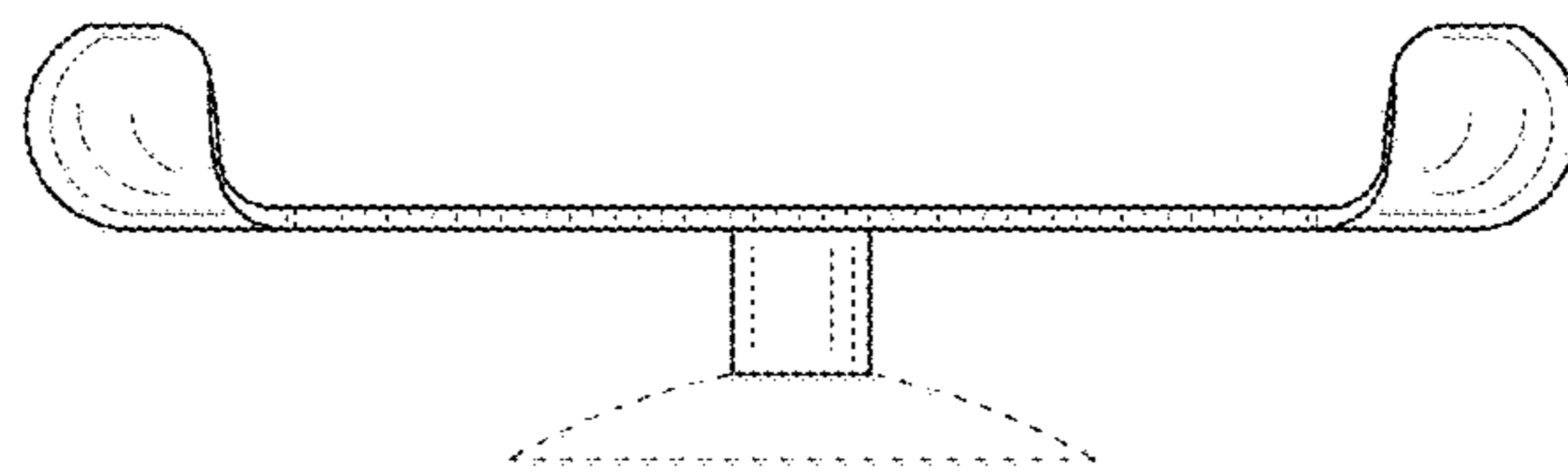


FIG. 7