

US00D869149S

(12) **United States Design Patent** (10) **Patent No.:** **US D869,149 S**
Okungbaiye (45) **Date of Patent:** **** Dec. 10, 2019**

(54) **THEFT DETERRENT BACKPACK**
(71) Applicant: **John Okungbaiye**, London (GB)
(72) Inventor: **John Okungbaiye**, London (GB)
(73) Assignee: **HIGH SPIRIT BAGS LTD**, London (GB)
(**) Term: **15 Years**
(21) Appl. No.: **29/612,957**
(22) Filed: **Aug. 4, 2017**
(51) **LOC (12) Cl.** **03-01**
(52) **U.S. Cl.**
USPC **D3/217**
(58) **Field of Classification Search**
USPC D3/201, 215, 216–217, 213–214,
D3/232–233, 240–243, 245–246, 273,
D3/276, 289, 294, 301, 302, 303, 318
CPC A45C 1/024; A45C 3/06
See application file for complete search history.

D739,653 S * 9/2015 Majeau D3/217
D745,267 S * 12/2015 Ford D3/217
D745,777 S * 12/2015 Zwetzig D3/217
D748,910 S * 2/2016 Ford D3/217
D758,715 S * 6/2016 Daniel D3/217
D770,761 S * 11/2016 Deioma D3/217
9,642,443 B2 * 5/2017 Amago A45F 3/04
9,687,062 B2 * 6/2017 Scicluna A45C 7/0095
D811,727 S * 3/2018 Quehl D3/217
D811,728 S * 3/2018 Sheikh D3/217
D832,747 S * 11/2018 Chung D12/114
D836,326 S * 12/2018 Skaff D3/217
D841,977 S * 3/2019 Testatonda D3/217
D851,918 S * 6/2019 Kikuta D3/217
2005/0199658 A1 9/2005 Brown et al.
2005/0205635 A1 9/2005 Cohen

FOREIGN PATENT DOCUMENTS

FR 2852797 9/2005
WO WO2001010261 9/2005

* cited by examiner

Primary Examiner — Holly E Thurman
(74) *Attorney, Agent, or Firm* — Baker & Hostetler LLP

(57) **CLAIM**

The ornamental design for a theft deterrent backpack, as shown and described.

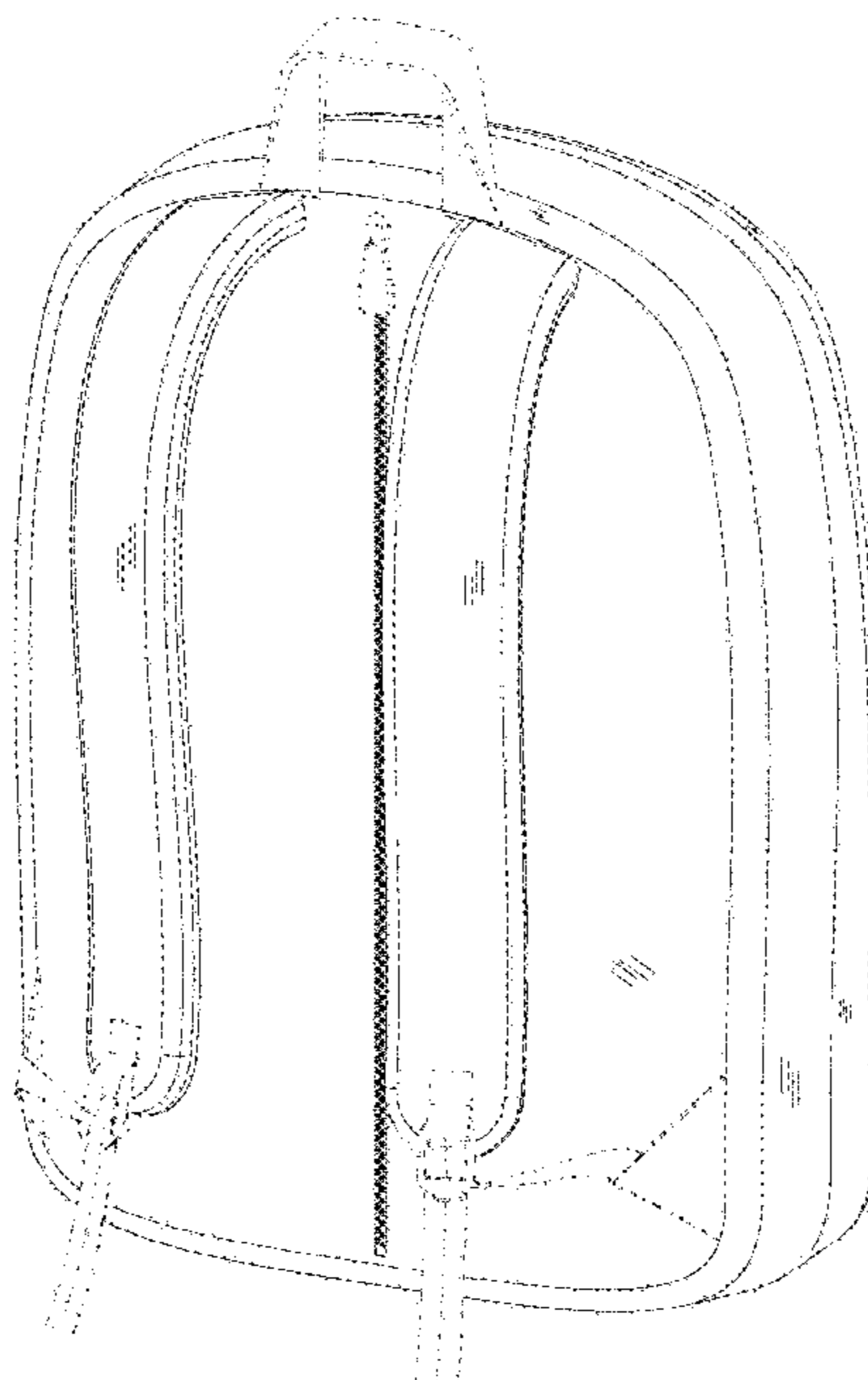
DESCRIPTION

FIG. 1 is a rear-end view of the theft deterrent backpack; FIG. 2 is a front-end view thereof; FIG. 3 is a top left rear perspective view thereof; FIG. 4 is a top right rear perspective view thereof; and, FIG. 5 is a bottom view thereof. The broken lines shown in the Figures are for illustrative purposes only and form no part of the claimed design.

1 Claim, 5 Drawing Sheets

(56) **References Cited**
U.S. PATENT DOCUMENTS

D392,094 S * 3/1998 Lane D3/217
D402,460 S * 12/1998 Moor D3/217
D421,523 S * 3/2000 Freyer D3/216
6,138,881 A 10/2000 Paul et al.
D485,678 S * 1/2004 Haro D3/216
D508,315 S * 8/2005 Han D3/216
7,028,873 B1 * 4/2006 Collier A45F 3/08
224/628
D557,009 S * 12/2007 Elmberg D3/217
8,152,374 B2 4/2012 Shaul
D674,591 S * 1/2013 Hargens D3/217
D713,139 S * 9/2014 Ford D3/217
D725,378 S * 3/2015 Ford D3/217



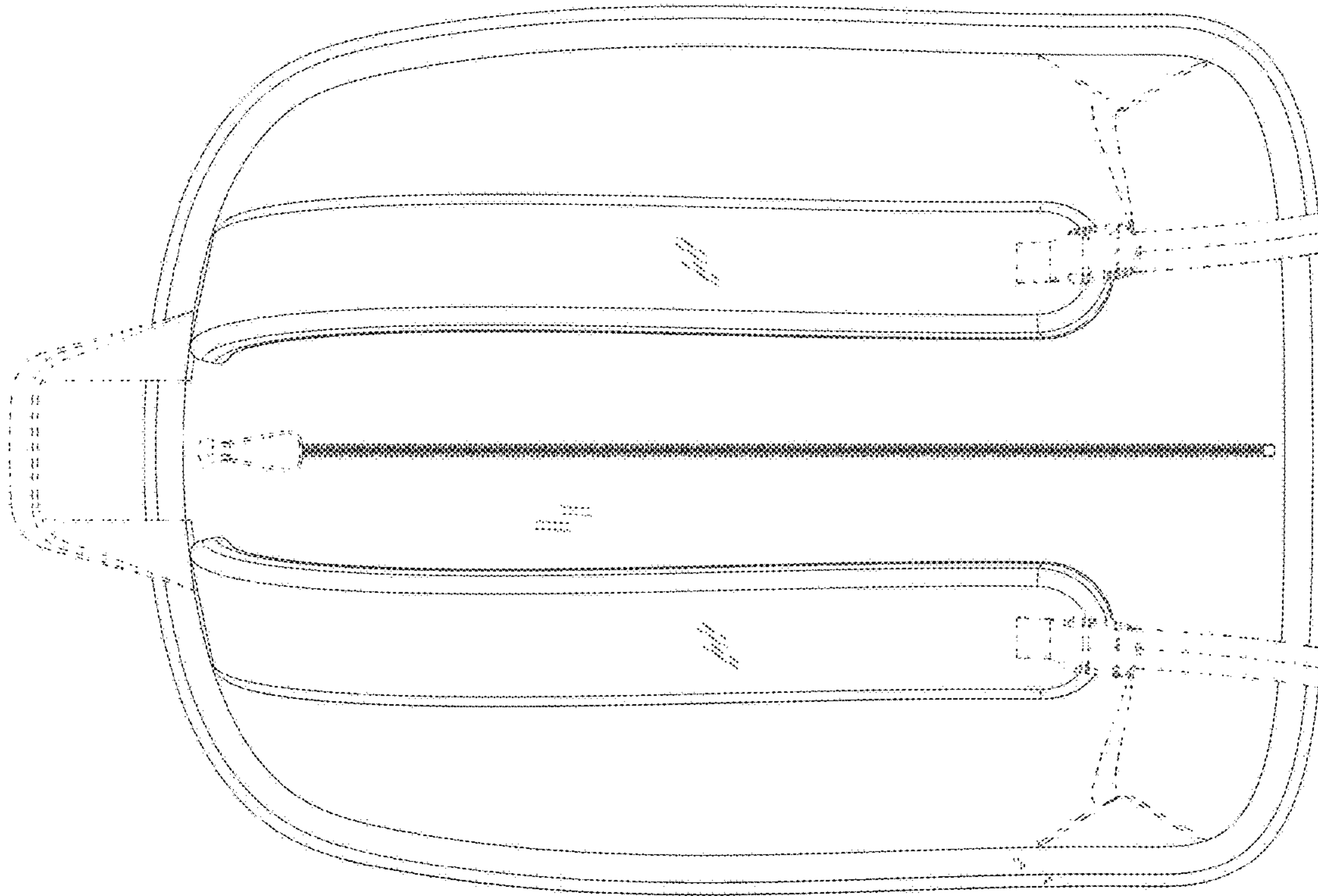


FIG. 1

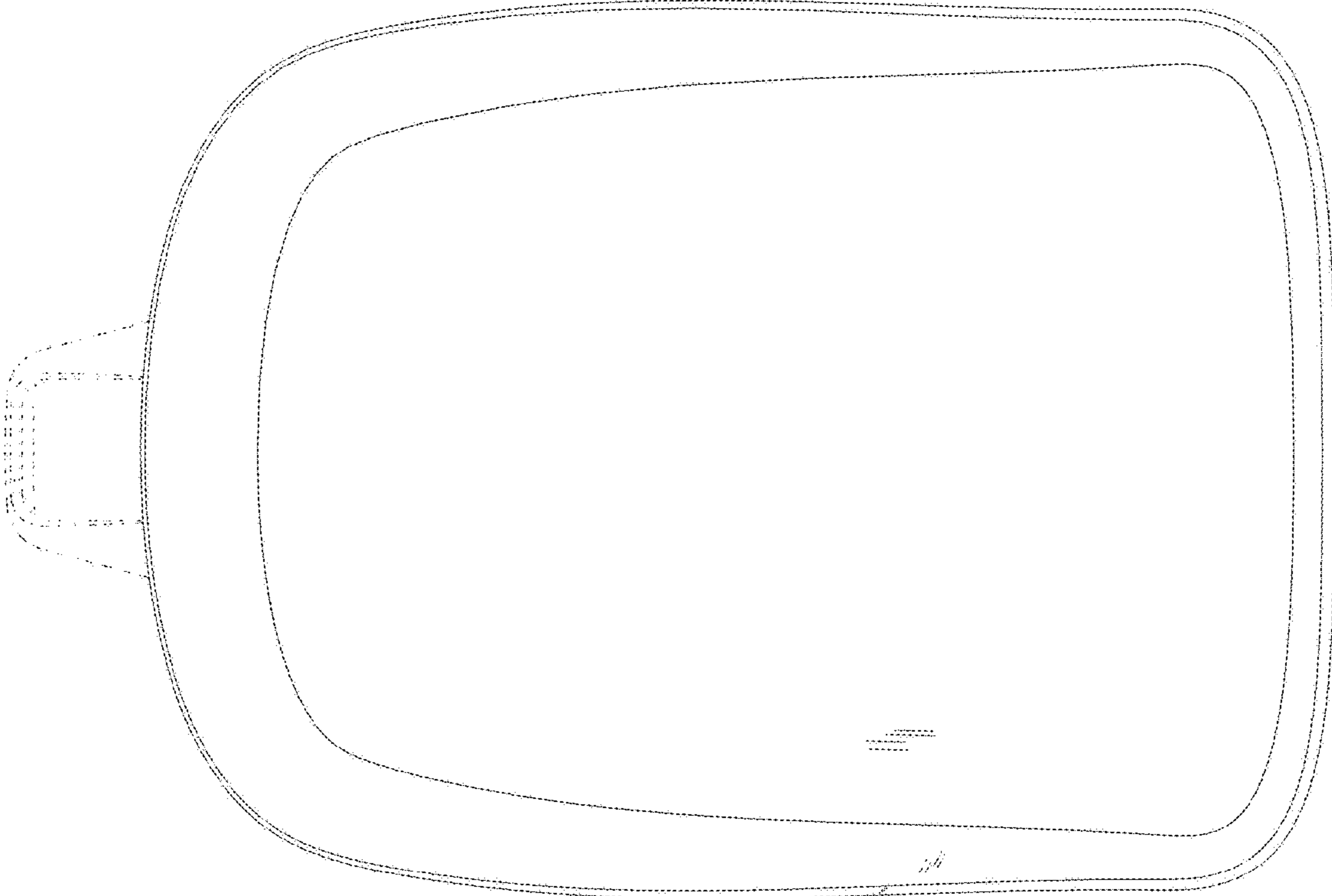


FIG. 2

FIG. 3

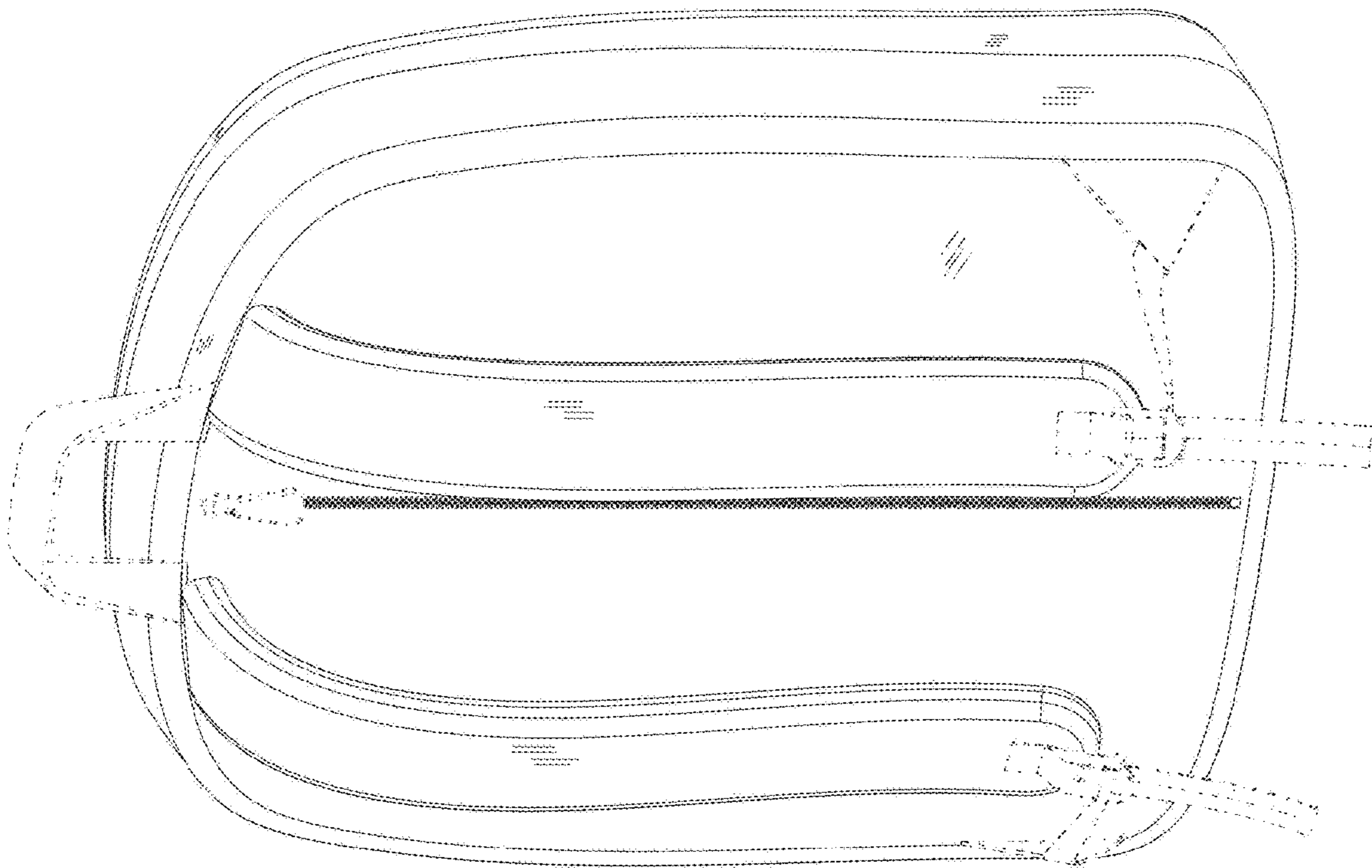
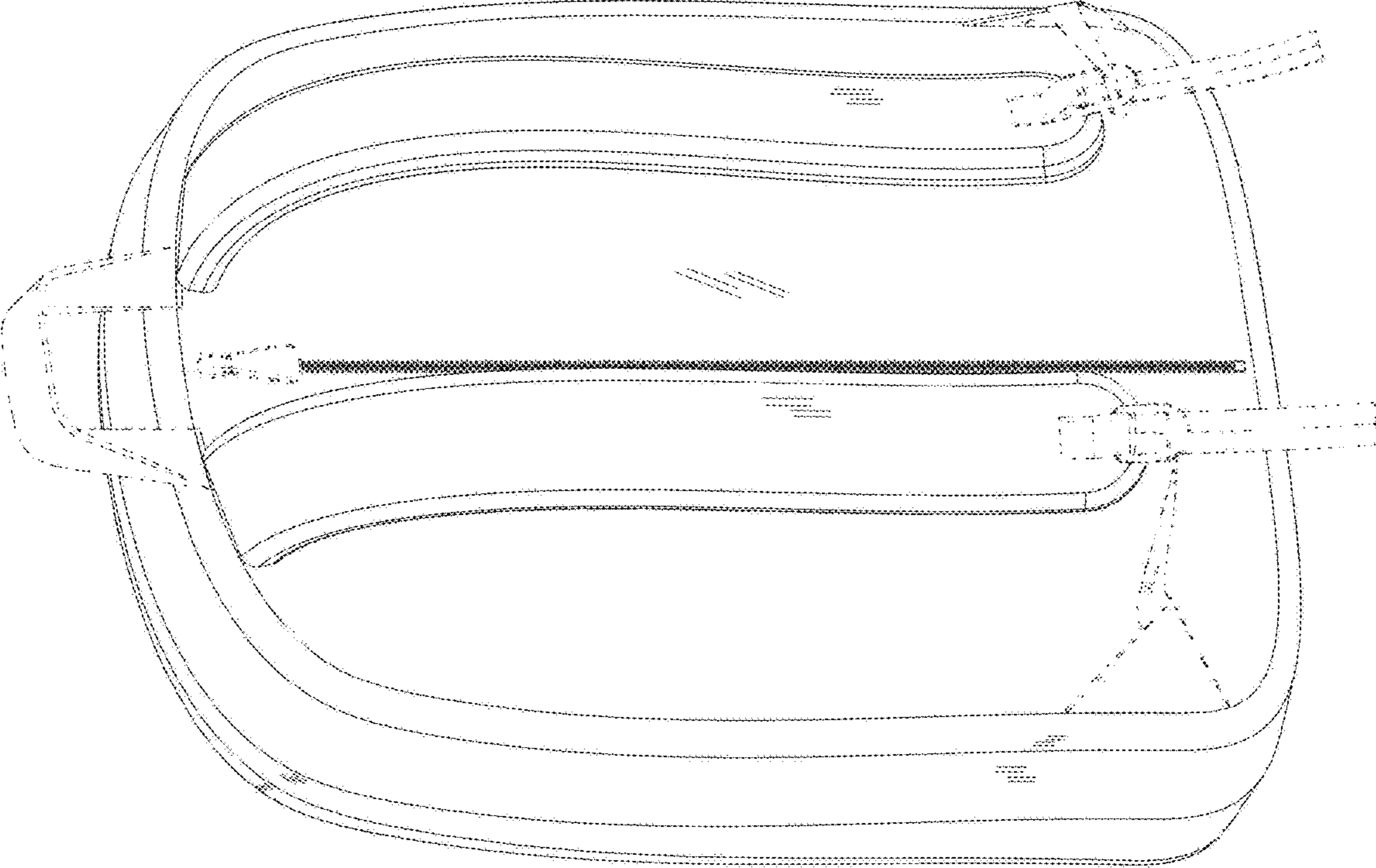


FIG. 4



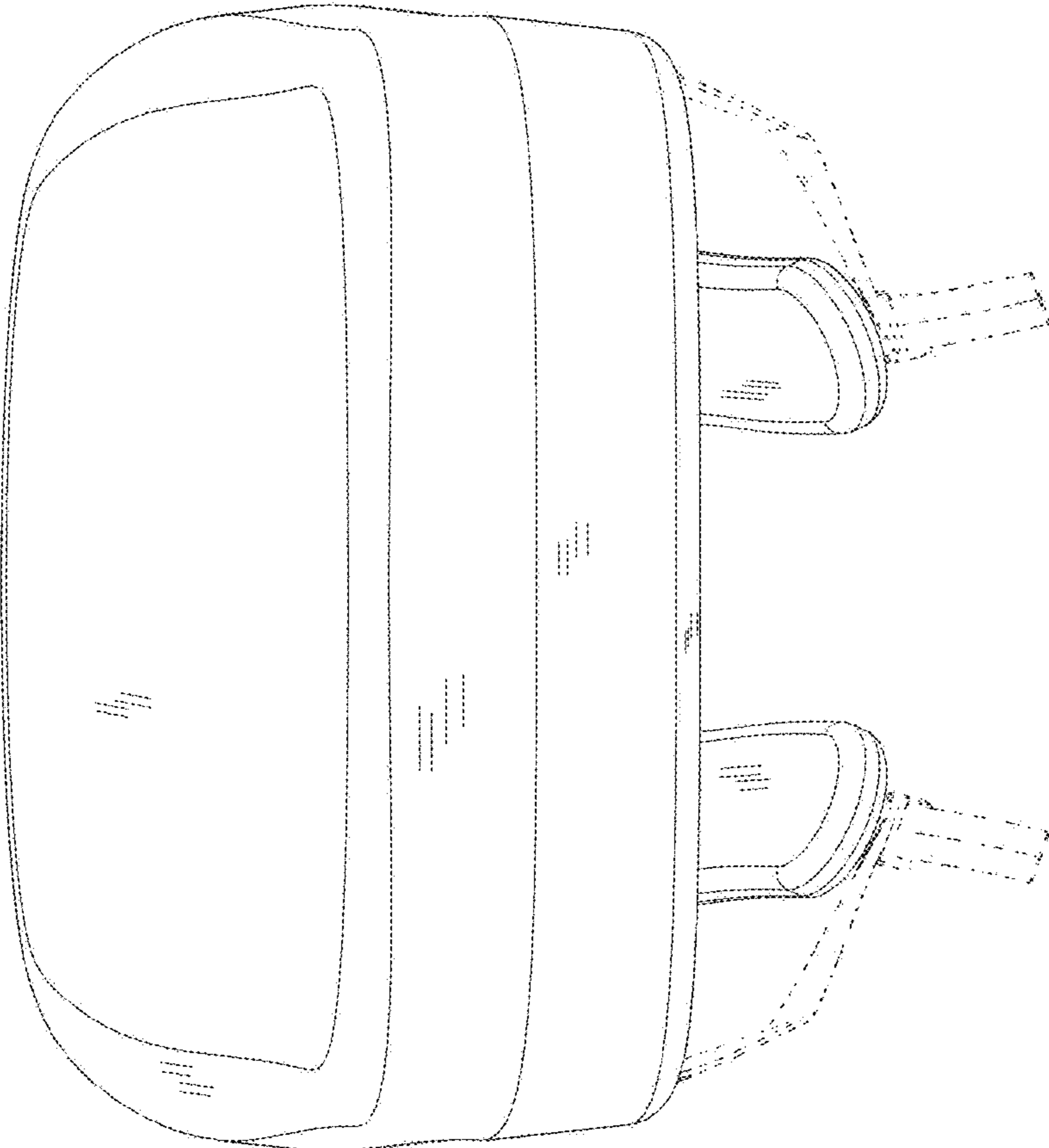


FIG. 5