



US00D869148S

(12) **United States Design Patent**  
**Moreau et al.**

(10) **Patent No.:** **US D869,148 S**

(45) **Date of Patent:** **\*\* Dec. 10, 2019**

(54) **LANYARD WITH CARABINER**

(71) Applicant: **Ty-Flot, Inc.**, Manchester, NH (US)

(72) Inventors: **Darrell A. Moreau**, Manchester, NH (US); **Andre W. Moreau**, Bedford, NH (US)

(73) Assignee: **Ty-Flot, Inc.**, Manchester, NH (US)

(\*\*) Term: **15 Years**

(21) Appl. No.: **29/633,189**

(22) Filed: **Jan. 12, 2018**

(51) **LOC (12) Cl.** ..... **03-01**

(52) **U.S. Cl.**  
USPC ..... **D3/215**

(58) **Field of Classification Search**

USPC ..... D3/215, 207-212, 221, 226; D11/7, 11, D11/26, 200; 224/103, 219, 222, 254,  
(Continued)

(56) **References Cited**

U.S. PATENT DOCUMENTS

3,294,299 A \* 12/1966 Brennan ..... A44C 19/00  
224/220  
4,982,522 A \* 1/1991 Norton ..... F41C 33/00  
224/220

(Continued)

*Primary Examiner* — Catherine R Oliver-Garcia

(74) *Attorney, Agent, or Firm* — Dicke, Billig & Czaja, PLLC

(57) **CLAIM**

We claim the ornamental design for a lanyard with carabiner, as shown and described.

**DESCRIPTION**

FIG. 1A is a front, right perspective view of a rear portion of a lanyard with carabiner showing our new design.

FIG. 1B is a front, right perspective view of a middle portion of the lanyard with carabiner showing our new design.

FIG. 1C is a front, right perspective view of a front portion of the lanyard with carabiner showing our new design where FIGS. 1A, 1B and 1C shows the complete lanyard with carabiner showing our new design.

FIG. 2A is a right-side elevation view of the rear portion shown in FIG. 1A.

FIG. 2B is a right-side elevation view of the middle portion shown in FIG. 1B.

FIG. 2C is a right-side elevation view of the front portion shown in FIG. 1C

FIG. 3A is a left-side elevation view of the rear portion shown in FIG. 1A.

FIG. 3B is a left-side elevation view of the middle portion shown in FIG. 1B.

FIG. 3C is a left-side elevation view of the front portion shown in FIG. 1C

FIG. 4A is a bottom plan view of the rear portion shown in FIG. 1A.

FIG. 4B is a bottom plan view of the middle portion shown in FIG. 1B.

FIG. 4C is a bottom plan view of the front portion shown in FIG. 1C

FIG. 5A is a top plan view of the rear portion shown in FIG. 1A.

FIG. 5B is a top plan view of the middle portion shown in FIG. 1B.

FIG. 5C is a top plan view of the front portion shown in FIG. 1C

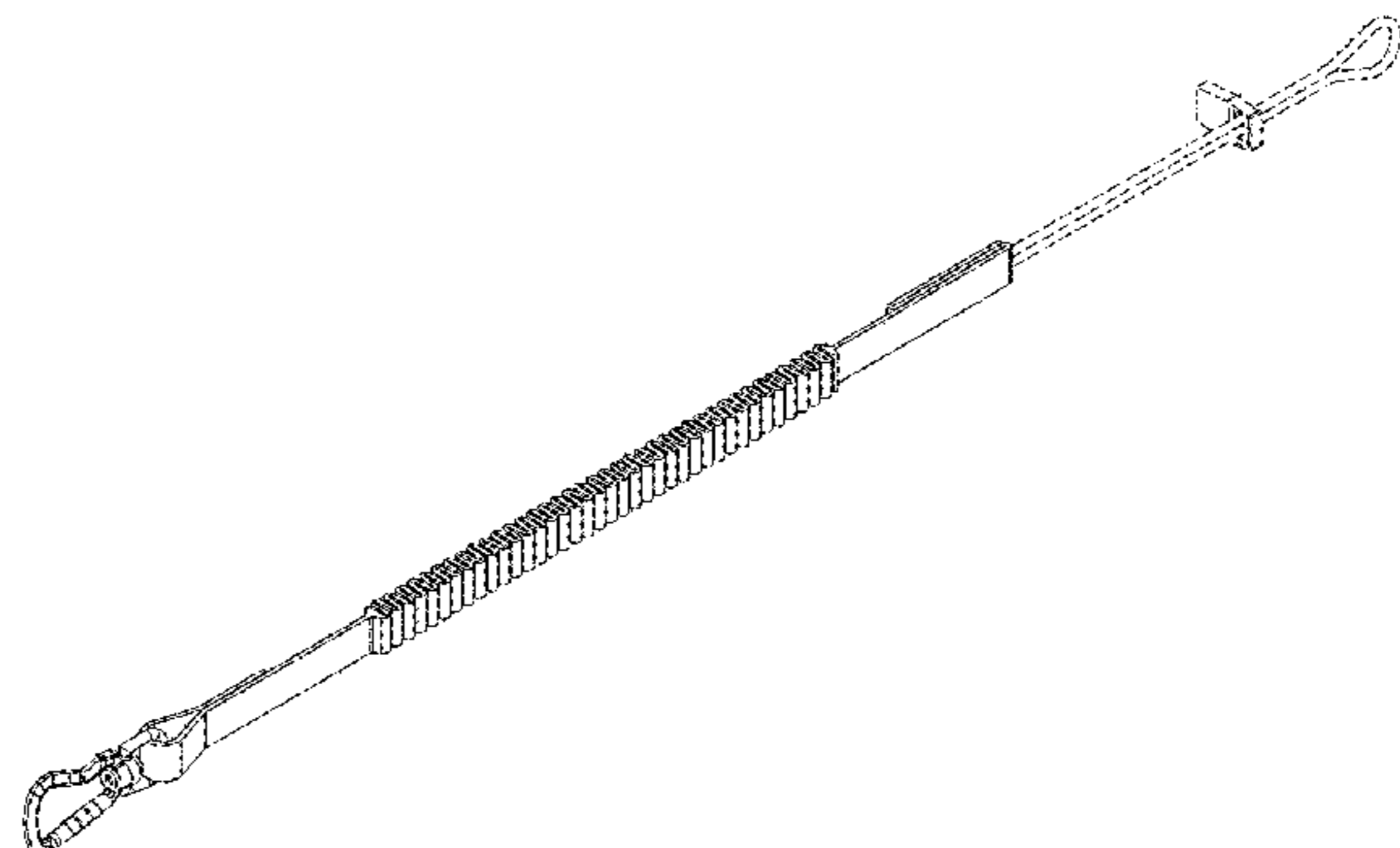
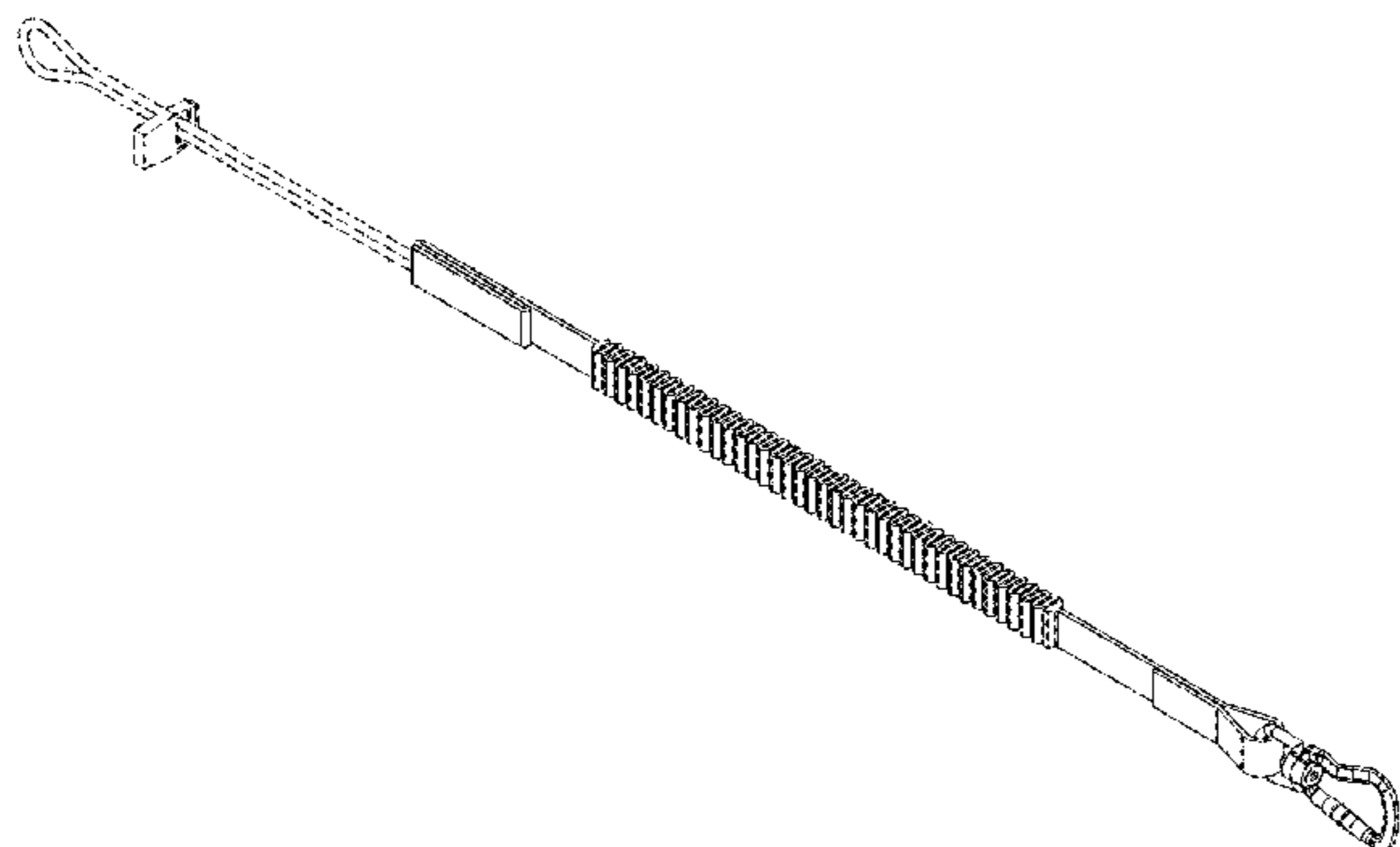
FIG. 6 is a rear elevation view thereof.

FIG. 7 is a front elevation view thereof.

FIG. 8 is a right, front, perspective view in reduced size showing the entire lanyard with carabiner; and, FIG. 9 is a left, front, perspective view of FIG. 8.

The broken lines in the figures are disclaimed and are included for the purpose of illustrating an example of the outer surface of the lanyard with carabiner and forms no part of the claimed design.

**1 Claim, 7 Drawing Sheets**



(58) **Field of Classification Search**

USPC ..... 224/269, 220, 901.4, 901.8;  
294/149-150, 137, 165; 2/422; 43/25  
CPC ..... A44C 19/00; A45F 5/00; A45F 2003/002;  
A45F 2005/006; A01K 27/001; A01K  
27/002; A01K 27/003; A01K 97/00;  
A01M 31/006

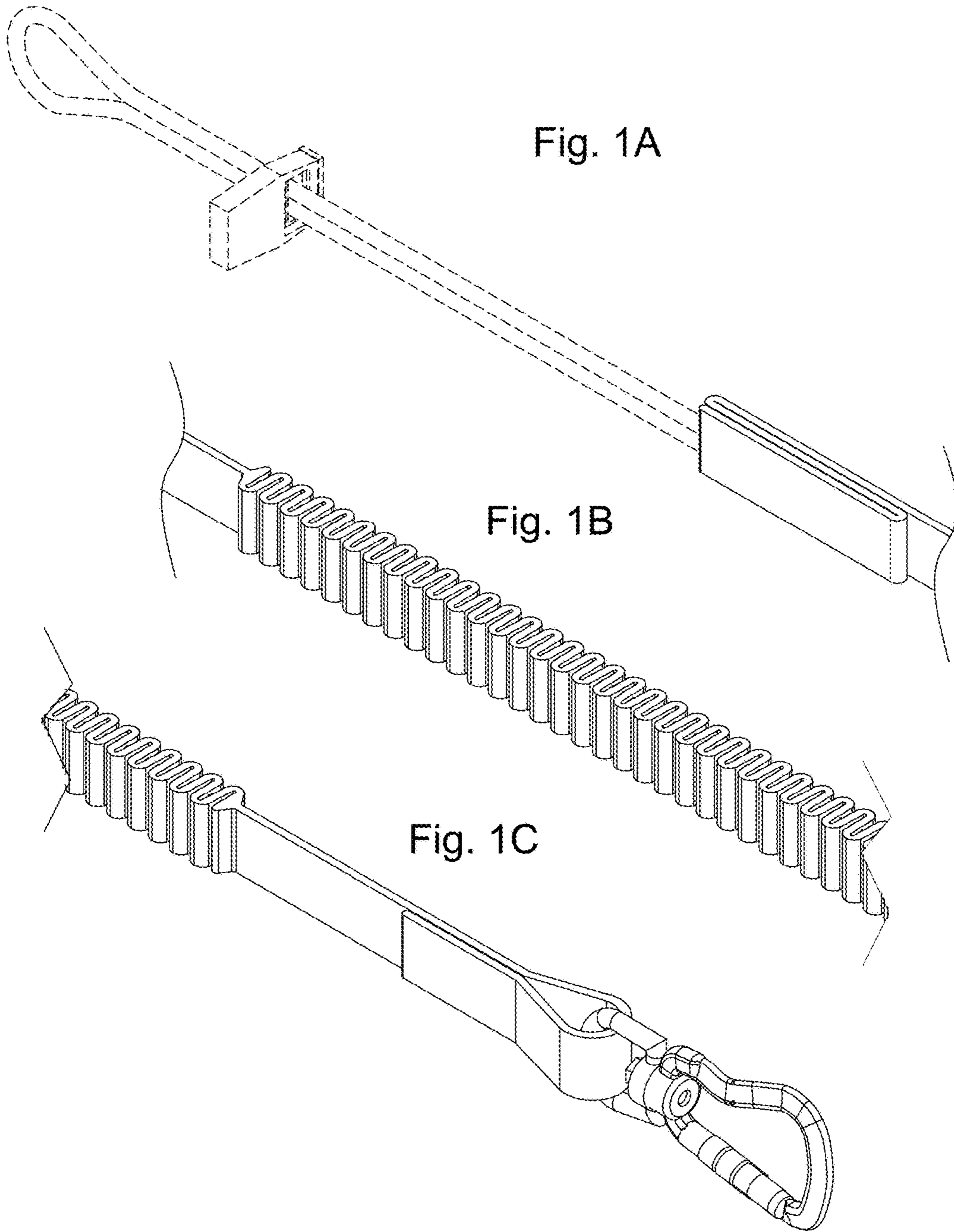
See application file for complete search history.

(56) **References Cited**

U.S. PATENT DOCUMENTS

D377,862 S \* 2/1997 Moore ..... 224/220  
D410,330 S \* 6/1999 Klein ..... D3/221  
D418,774 S \* 1/2000 Kalbach ..... D11/26  
6,168,556 B1 \* 1/2001 Saavedra ..... A63B 21/4019  
224/220  
D521,726 S \* 5/2006 Tarantino ..... D3/215  
D541,190 S \* 4/2007 Plzak ..... D11/200  
D557,008 S \* 12/2007 Stiller ..... D3/207  
D621,606 S \* 8/2010 Marquardt ..... D3/215  
D655,080 S \* 3/2012 Burrows ..... D3/215  
D724,987 S \* 3/2015 Aragon ..... D11/11  
9,016,534 B2 \* 4/2015 Whitley ..... A45F 5/00  
224/254  
D756,107 S \* 5/2016 Votel ..... D3/228  
D768,979 S \* 10/2016 Waters ..... D3/207  
D798,042 S \* 9/2017 Moreau ..... D3/215  
D835,396 S \* 12/2018 Raffle ..... D3/215  
2016/0050905 A1 \* 2/2016 Owen ..... A01M 31/006  
224/103

\* cited by examiner



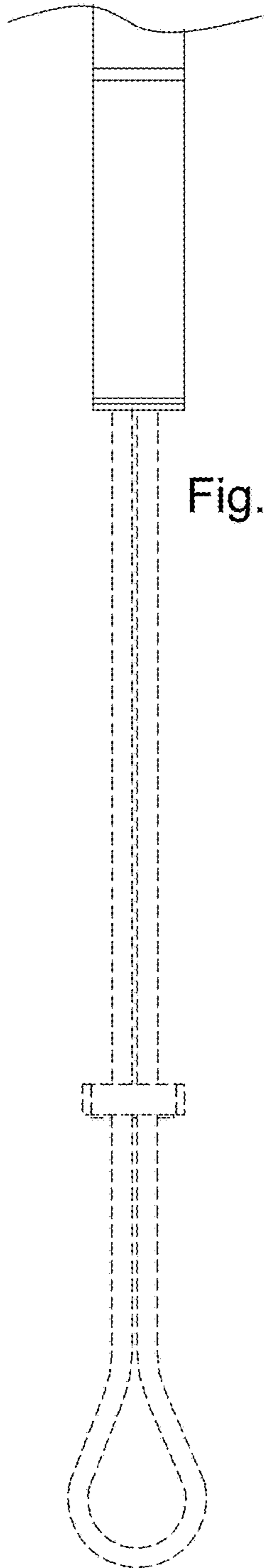


Fig. 2A

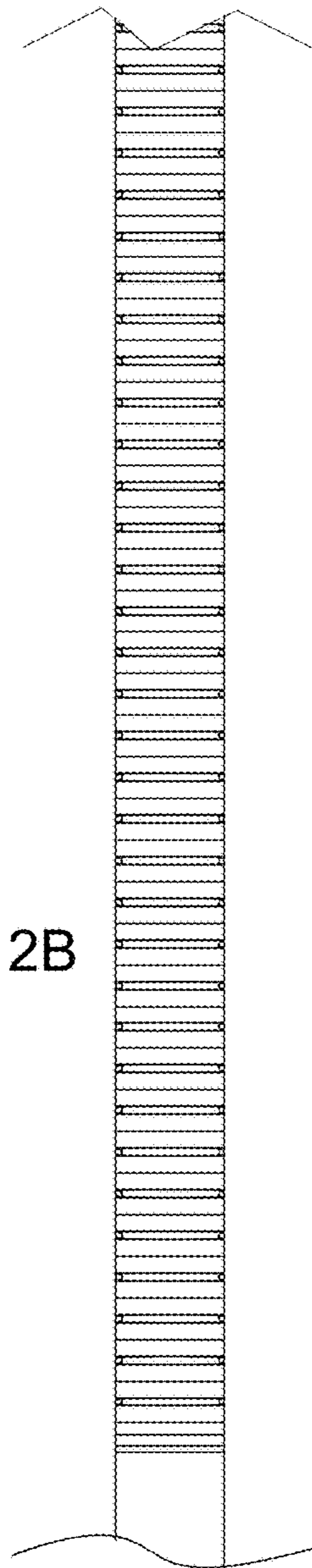


Fig. 2B

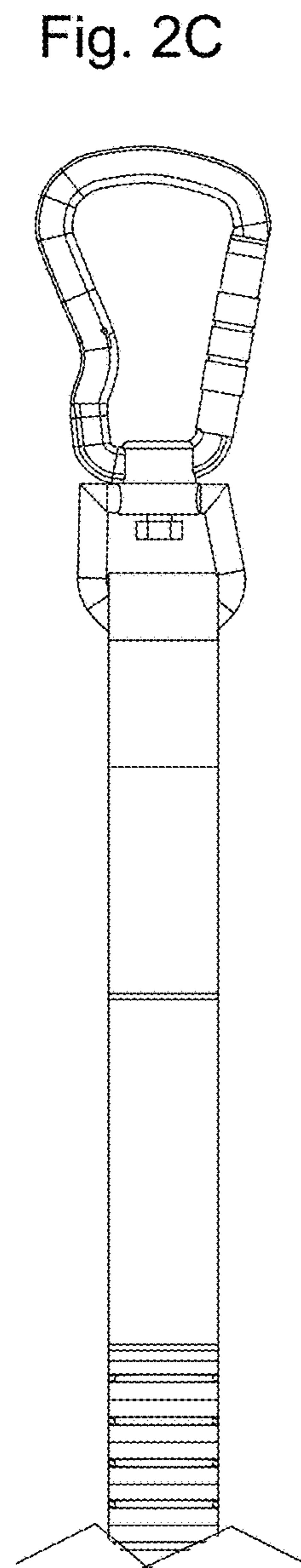


Fig. 2C

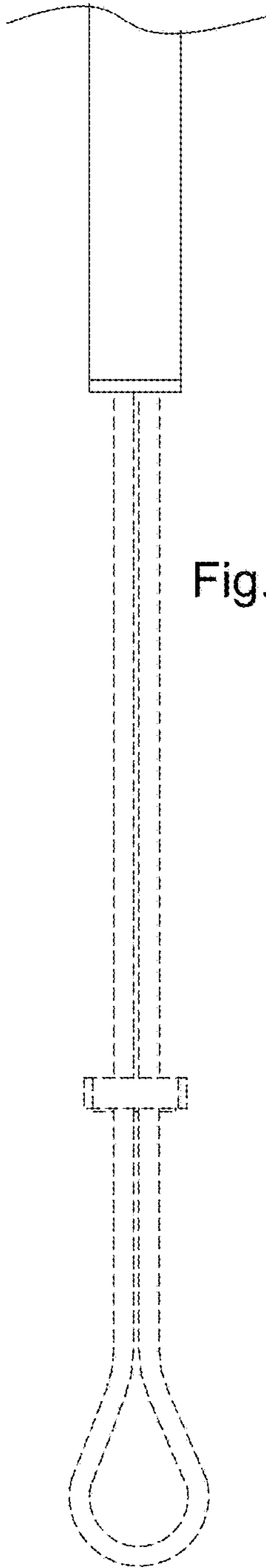


Fig. 3A

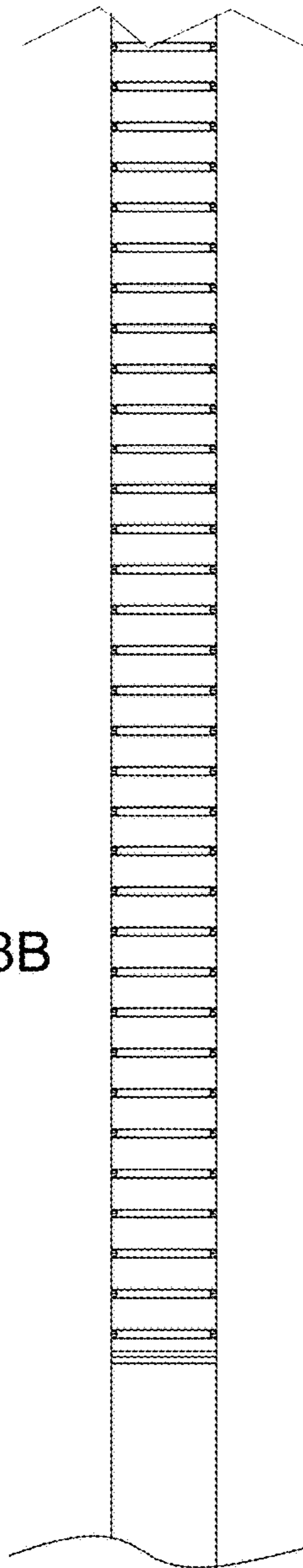


Fig. 3B

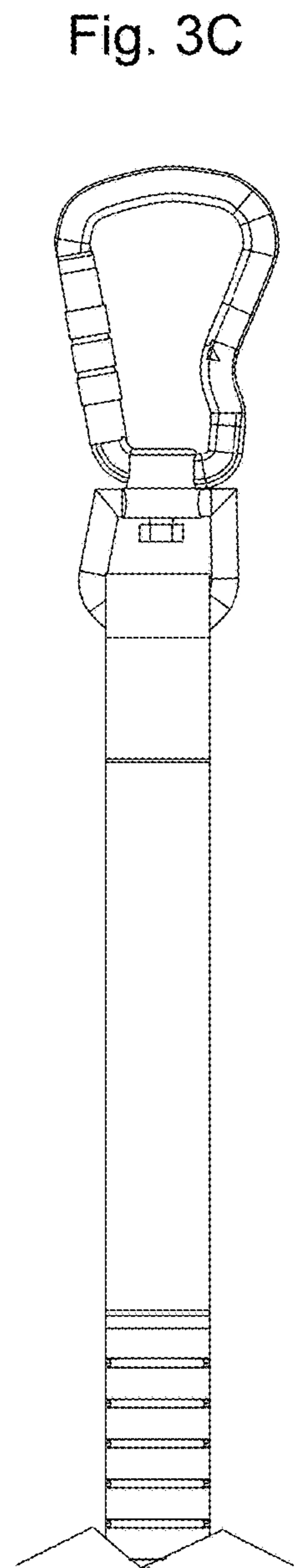


Fig. 3C

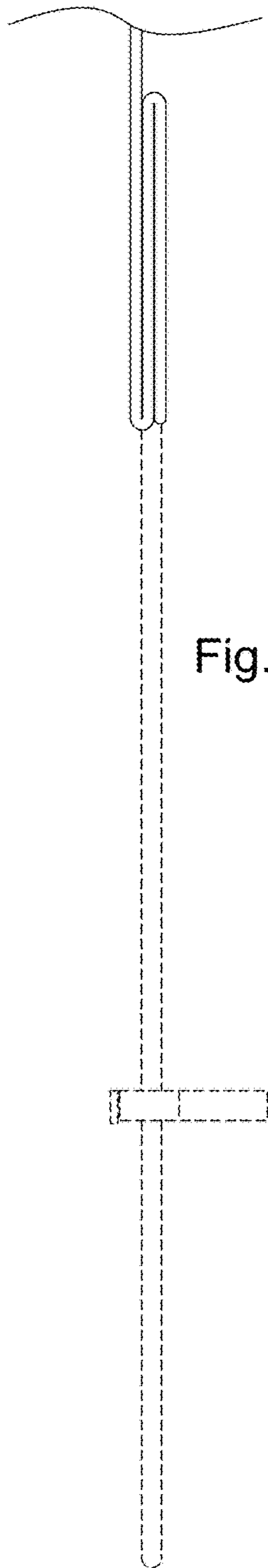


Fig. 4A

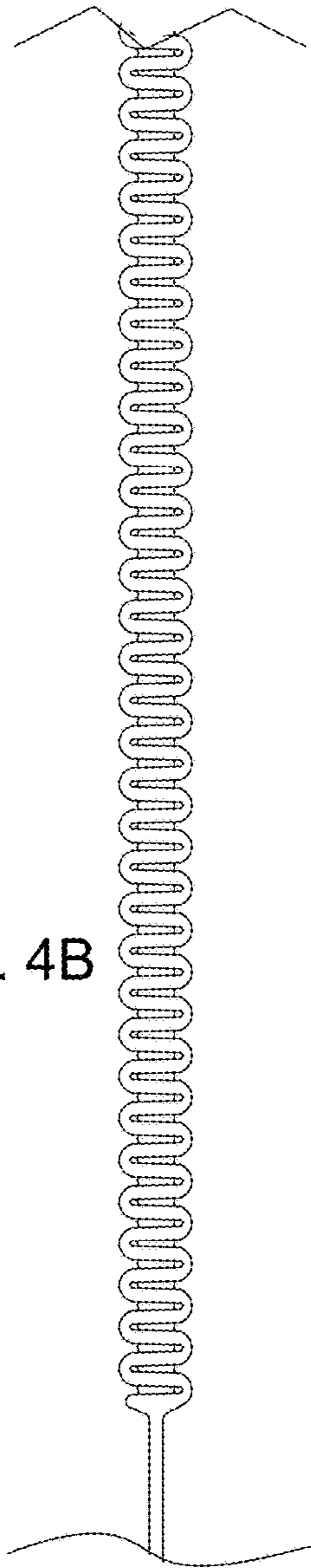
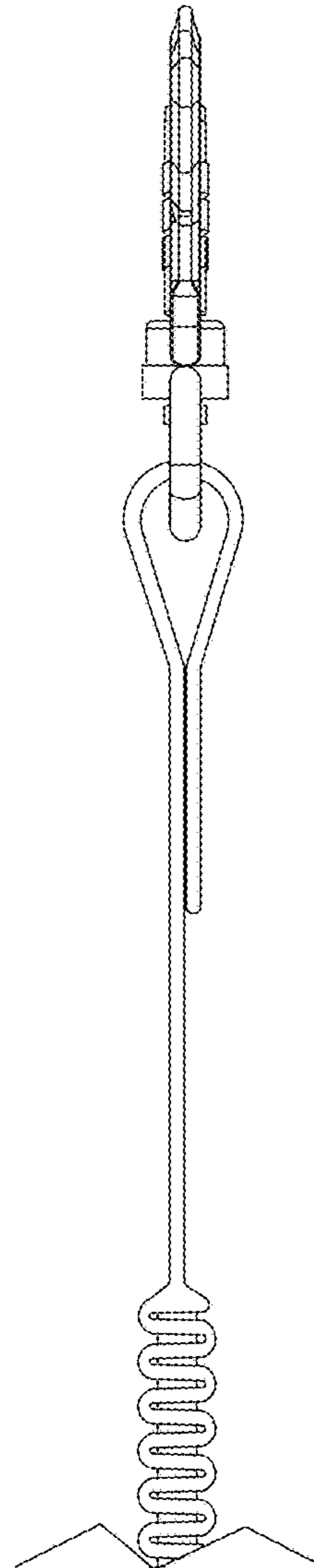


Fig. 4B

Fig. 4C



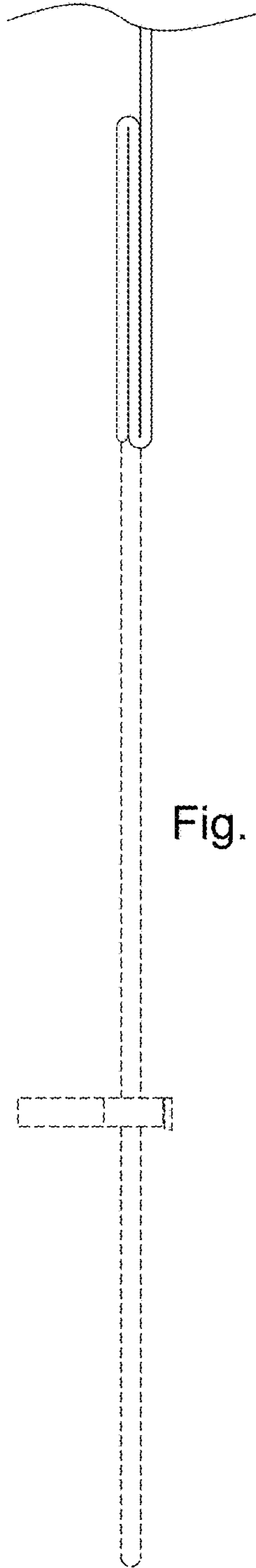


Fig. 5A

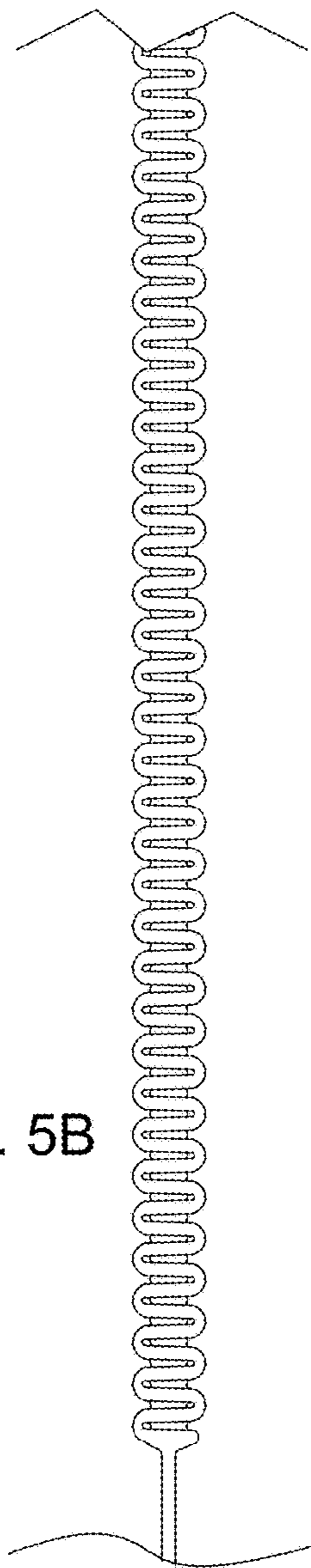


Fig. 5B

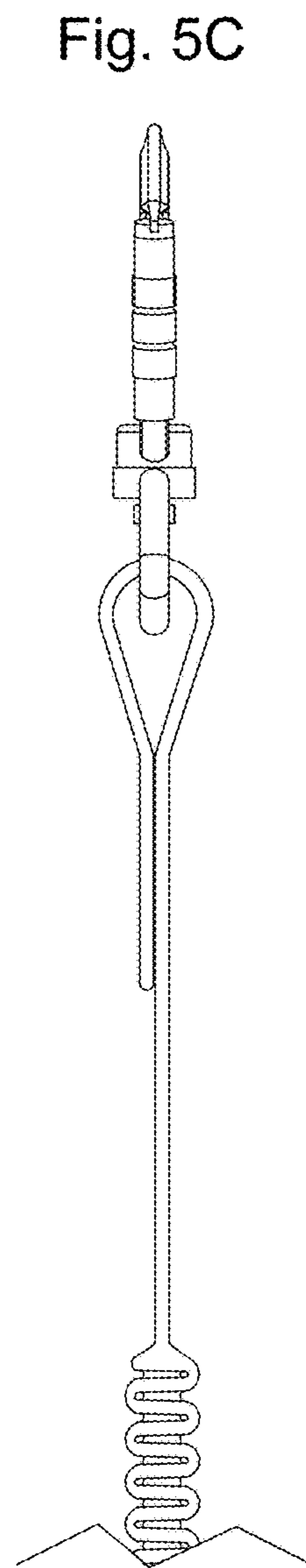


Fig. 5C

Fig. 6

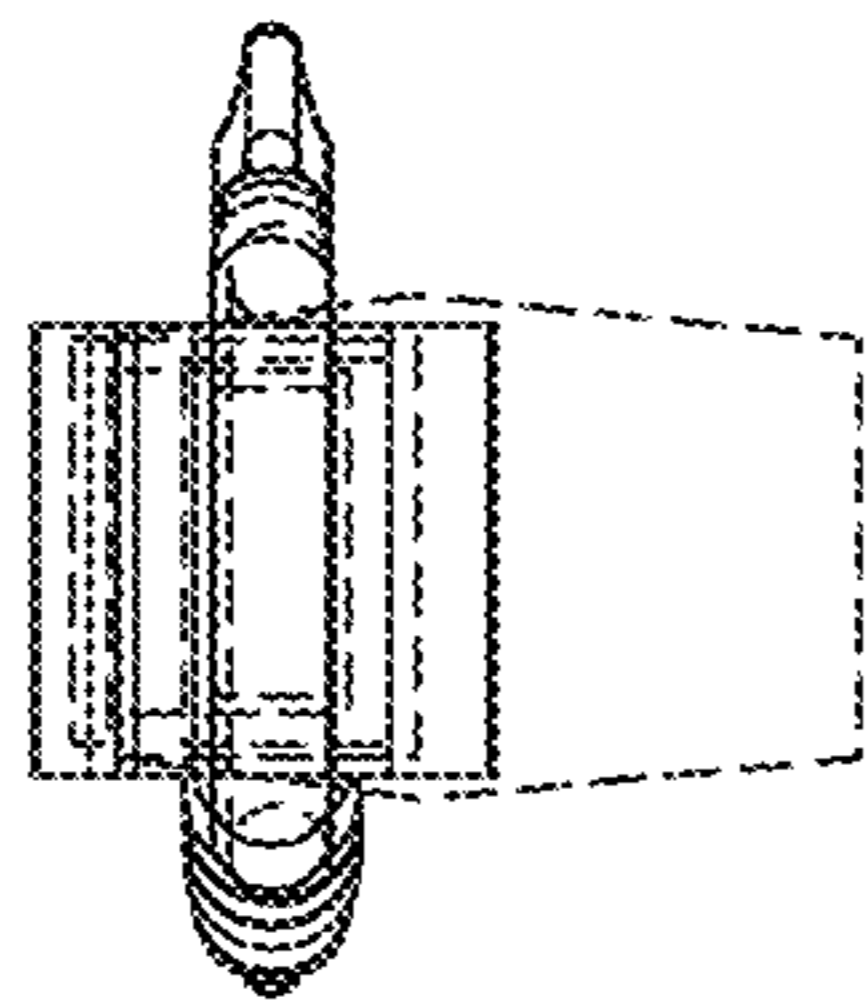
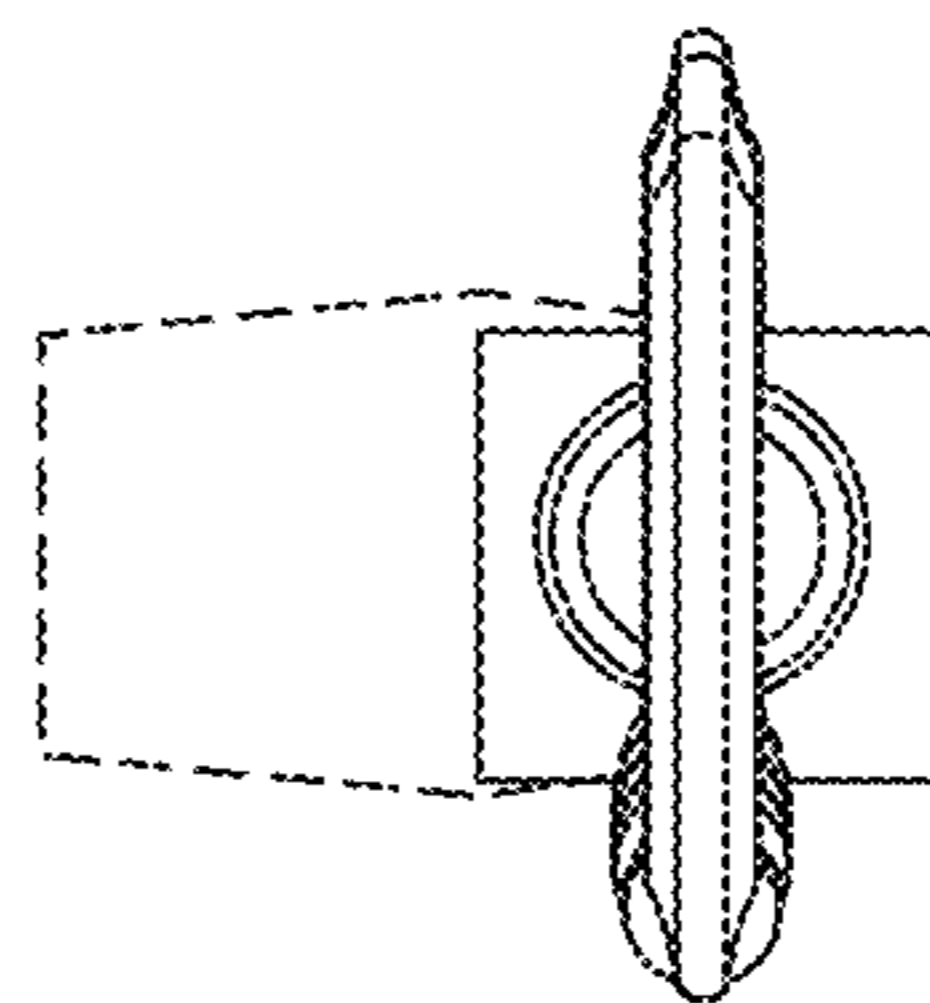


Fig. 7





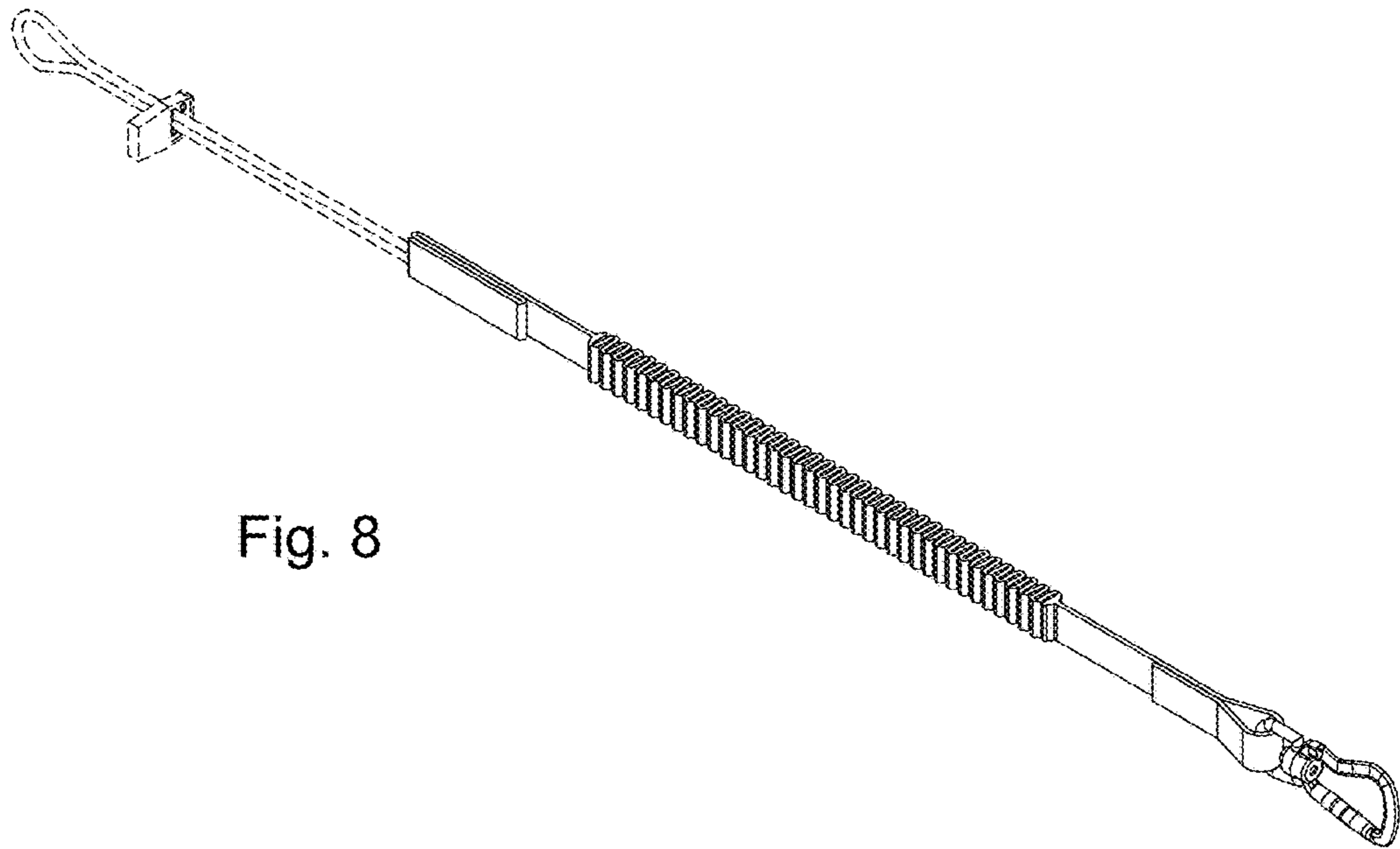


Fig. 8

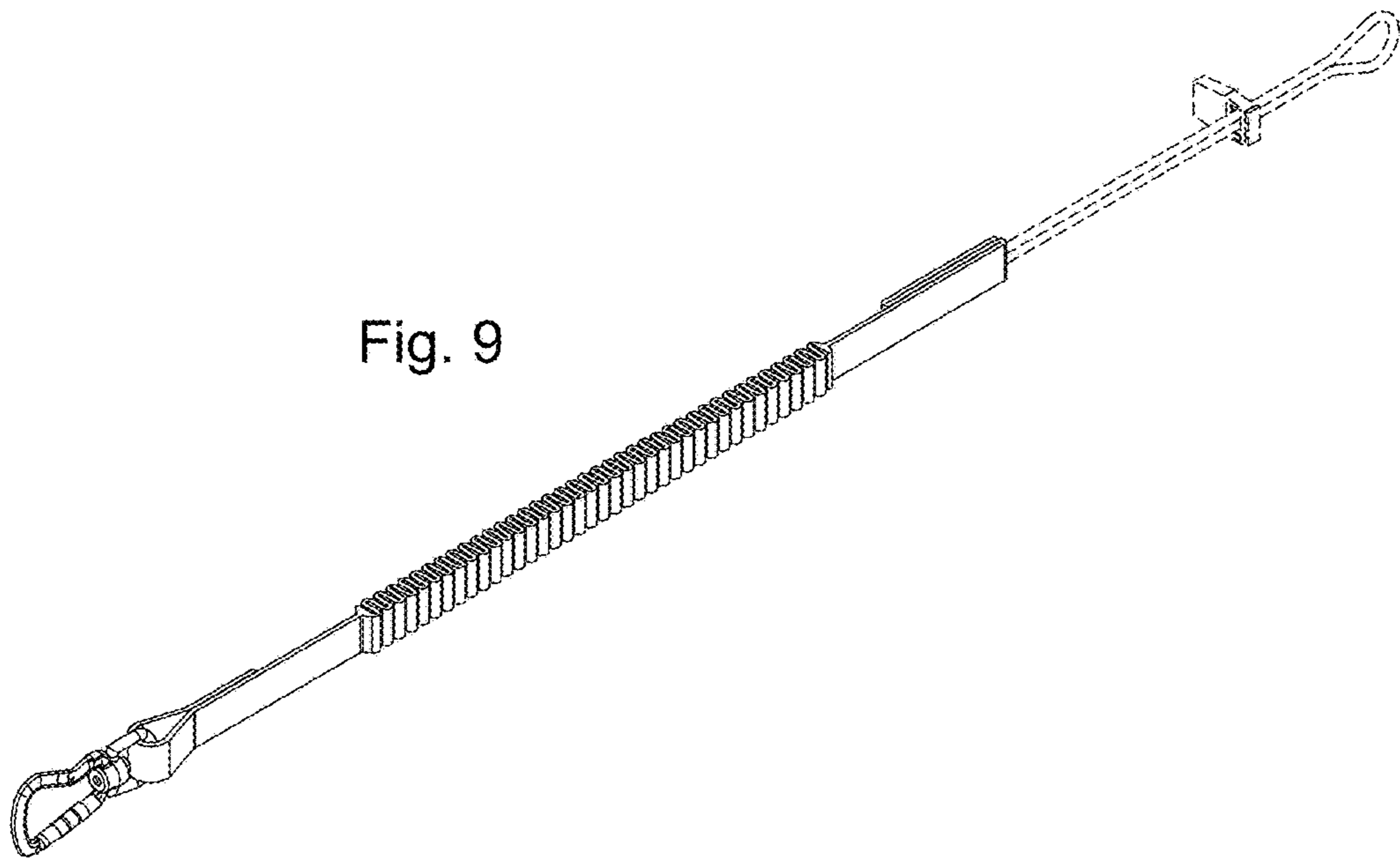


Fig. 9