



US00D869147S

(12) **United States Design Patent**
Lian

(10) **Patent No.:** **US D869,147 S**

(45) **Date of Patent:** **** Dec. 10, 2019**

(54) **EARPHONE PROTECTOR**

(71) Applicant: **SHENZHEN SHENGMI TECHNOLOGY LIMITED**, Shenzhen (CN)

(72) Inventor: **Jinmiao Lian**, Shenzhen (CN)

(73) Assignee: **SHENZHEN SHENGMI TECHNOLOGY LIMITED**, Shenzhen (CN)

(**) Term: **15 Years**

(21) Appl. No.: **29/663,397**

(22) Filed: **Sep. 14, 2018**

(51) **LOC (12) Cl.** **03-01**

(52) **U.S. Cl.**
USPC **D3/201; D3/273**

(58) **Field of Classification Search**
USPC D3/201, 207, 208, 215, 226, 228, 229,
D3/230, 269, 273, 290, 299, 303, 304,
D3/316, 318; D9/702, 703, 705, 707,
D9/709, 710
CPC B65D 83/384; F41H 9/10
See application file for complete search history.

(56) **References Cited**

U.S. PATENT DOCUMENTS

D369,902 S * 5/1996 Petruzzi D3/207
D423,772 S * 5/2000 Cooper D3/201

D516,807 S * 3/2006 Richardson D3/273
D668,866 S * 10/2012 Meng D3/273
D758,065 S * 6/2016 Zwetzig D3/201
D796,968 S * 9/2017 Akana D14/223
D808,653 S * 1/2018 Rayeski D3/273
D834,301 S * 11/2018 Poissant D3/201
D851,913 S * 6/2019 Yu D3/201
D857,373 S * 8/2019 Karsenti D3/201
D859,811 S * 9/2019 Hughes D3/201
D860,630 S * 9/2019 Schaumann D3/20

* cited by examiner

Primary Examiner — Holly E Thurman

(74) *Attorney, Agent, or Firm* — Hauptman Ham, LLP

(57) **CLAIM**

The ornamental design for an earphone protector, as shown and described.

DESCRIPTION

FIG. 1 is a front view of an earphone protector bearing the design;

FIG. 2 is a rear view thereof;

FIG. 3 is a left side view thereof;

FIG. 4 is a right side view thereof;

FIG. 5 is a top view thereof;

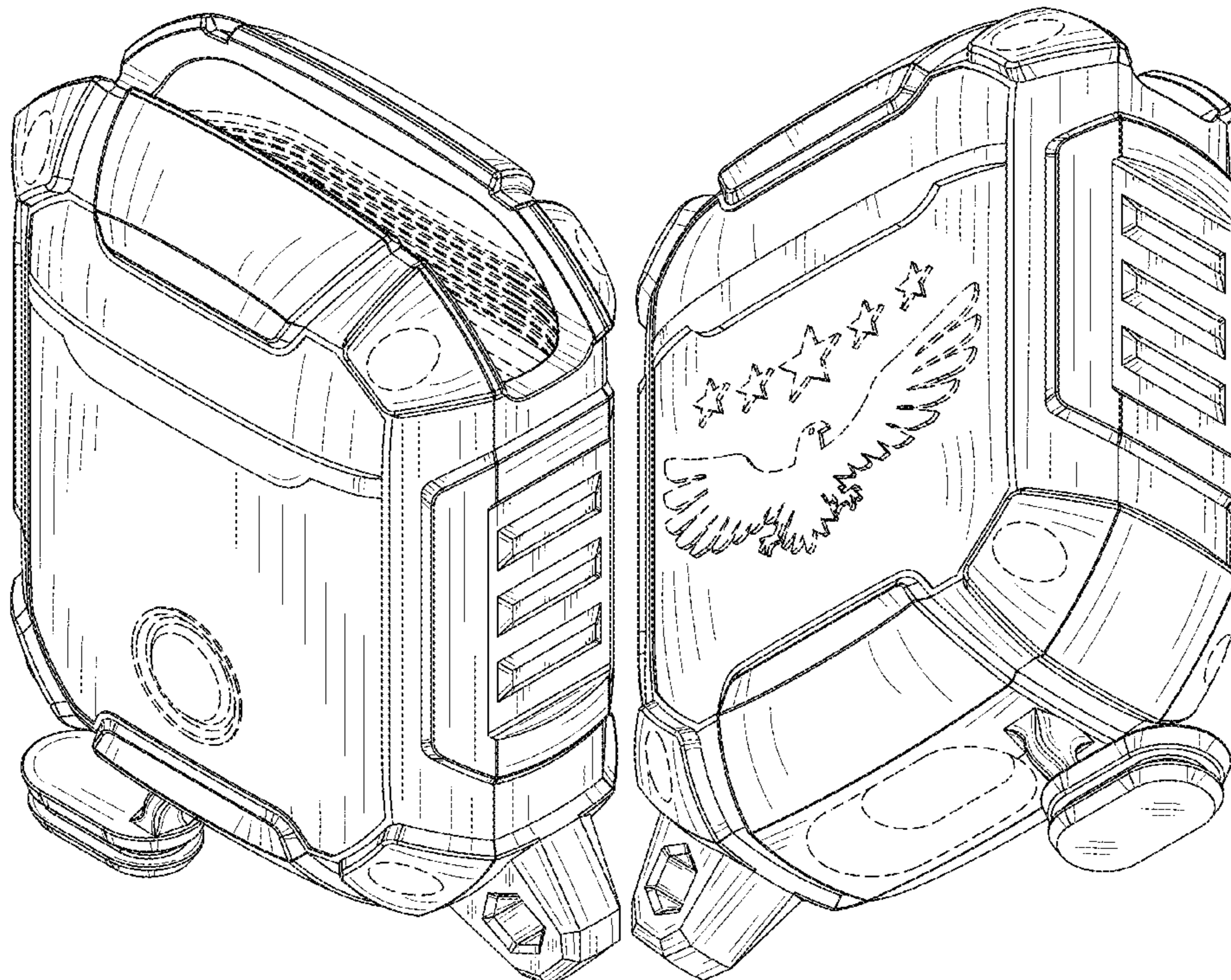
FIG. 6 is a bottom view thereof;

FIG. 7 is a front-top-right perspective view thereof; and,

FIG. 8 is a rear-bottom-left perspective view thereof.

The broken lines showing a portion of an earphone protector form no part of the claimed design.

1 Claim, 8 Drawing Sheets



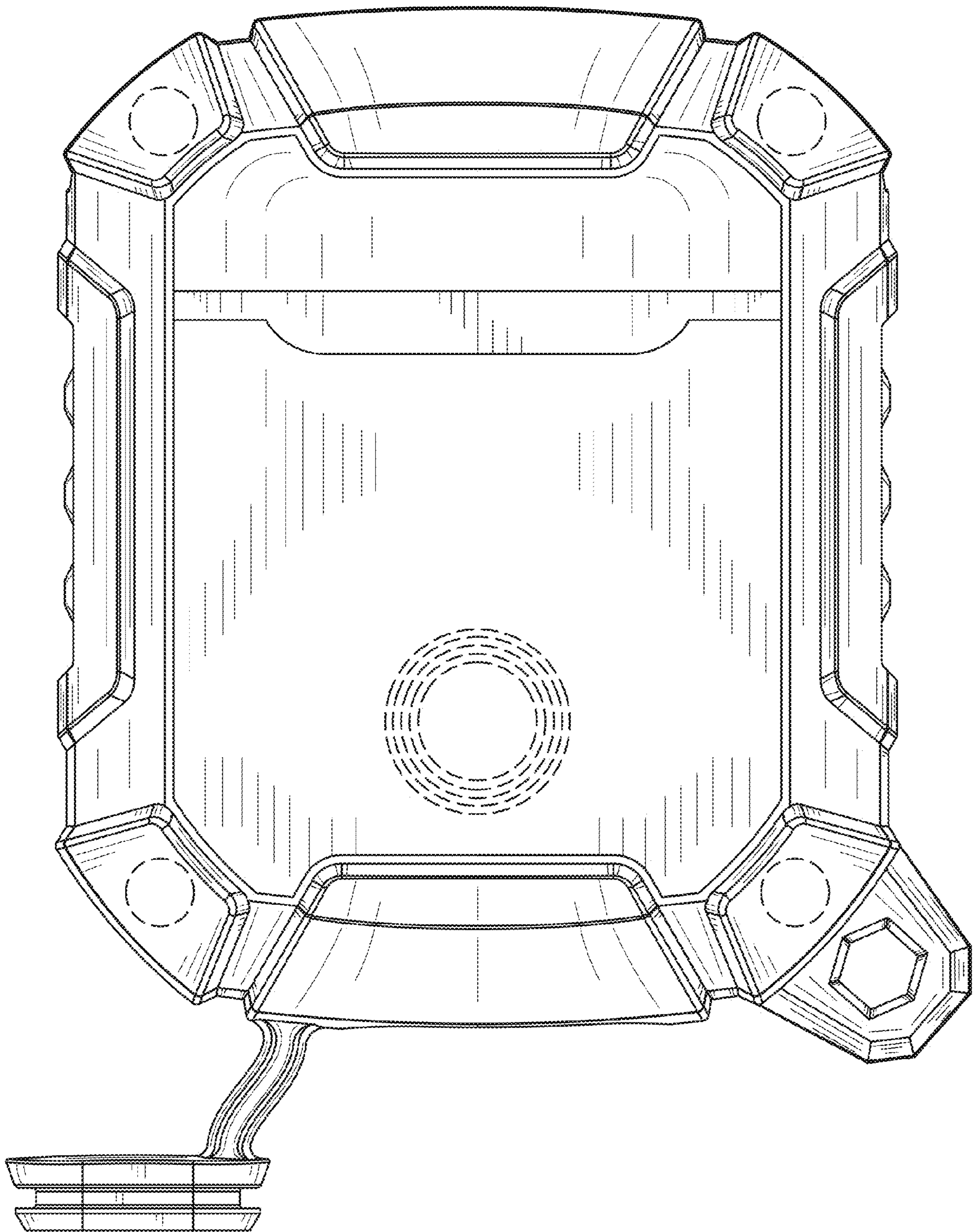


FIG. 1

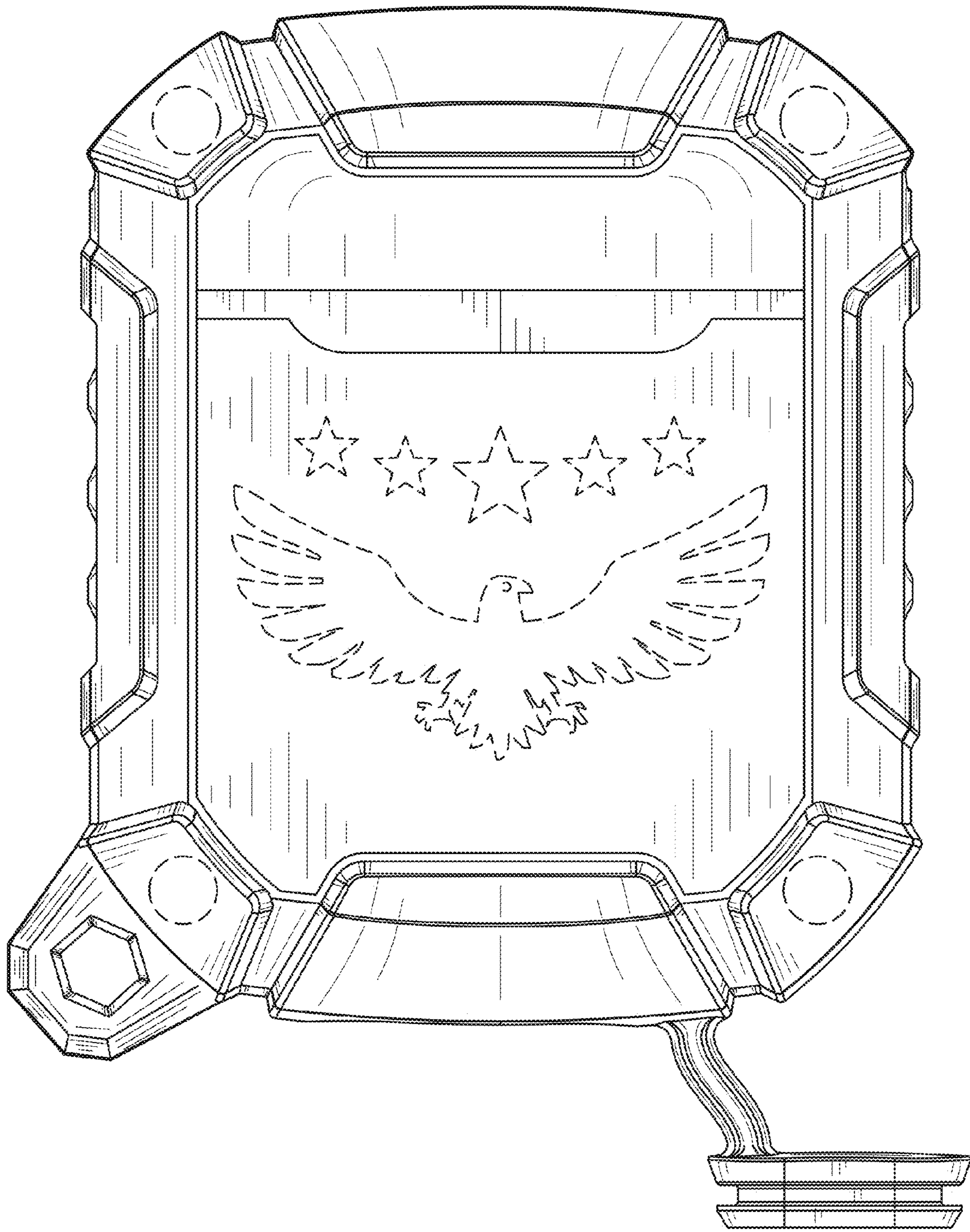


FIG. 2

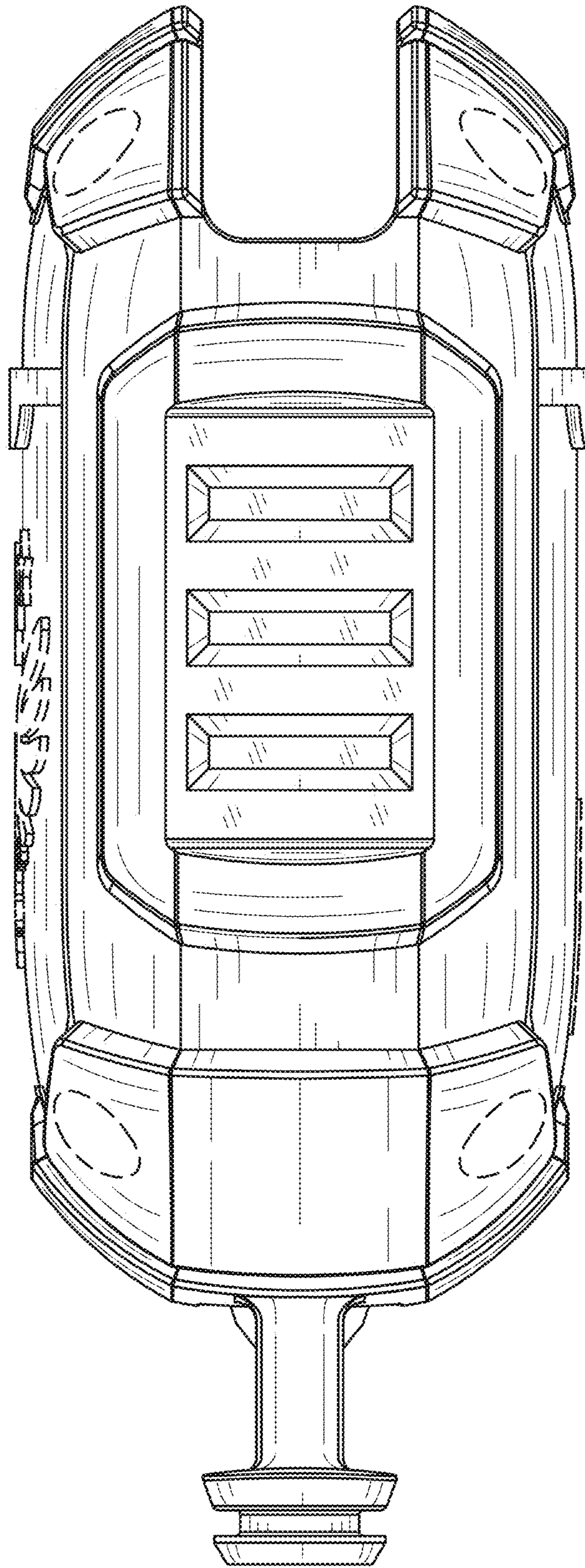


FIG. 3

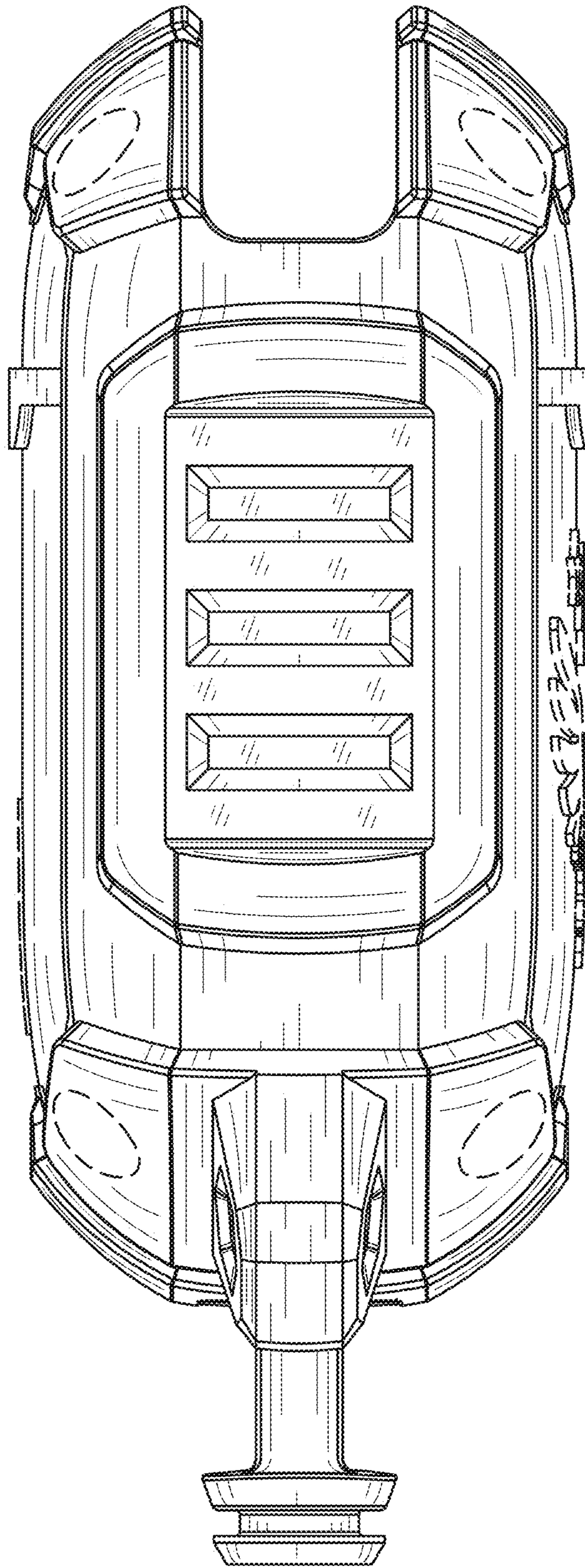


FIG. 4

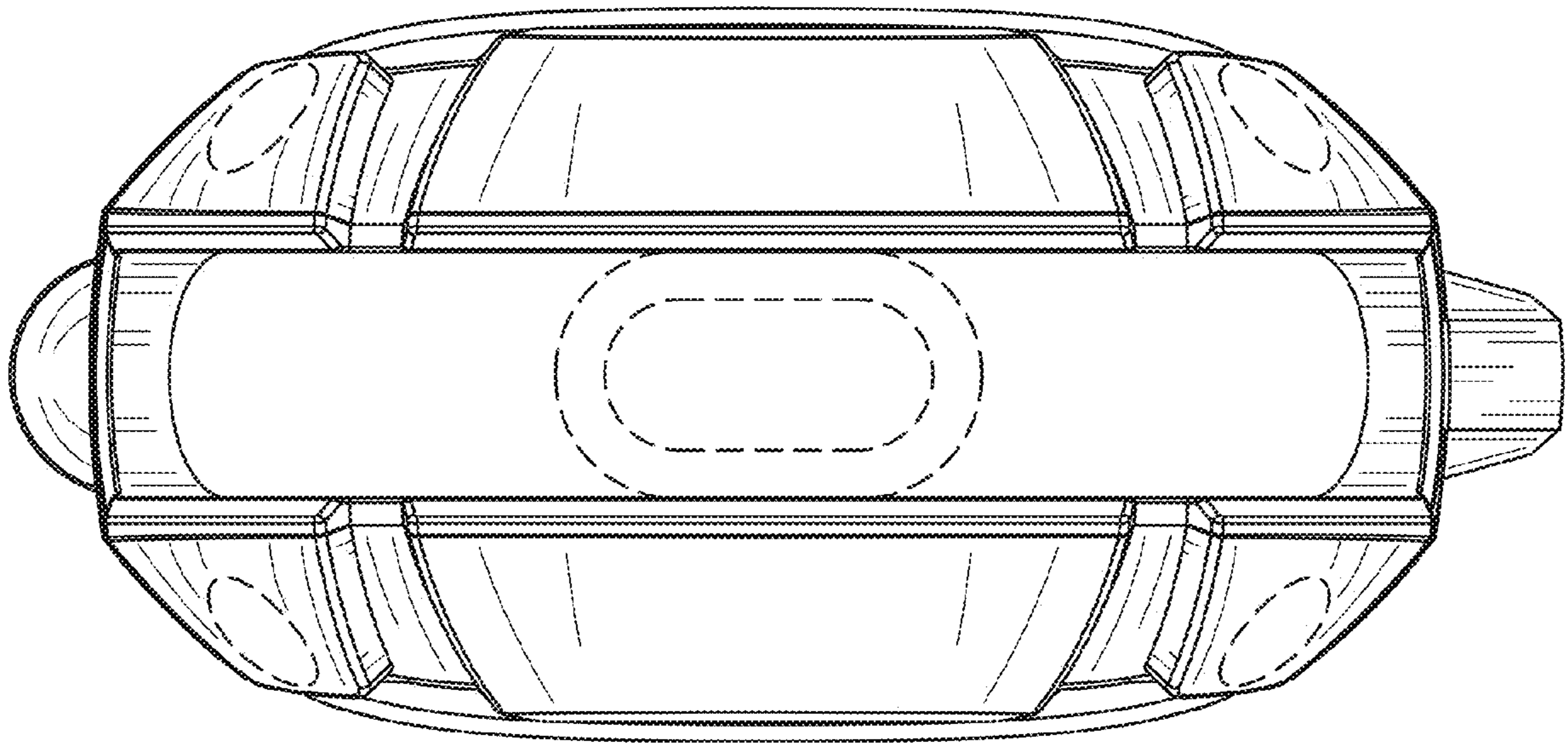


FIG. 5

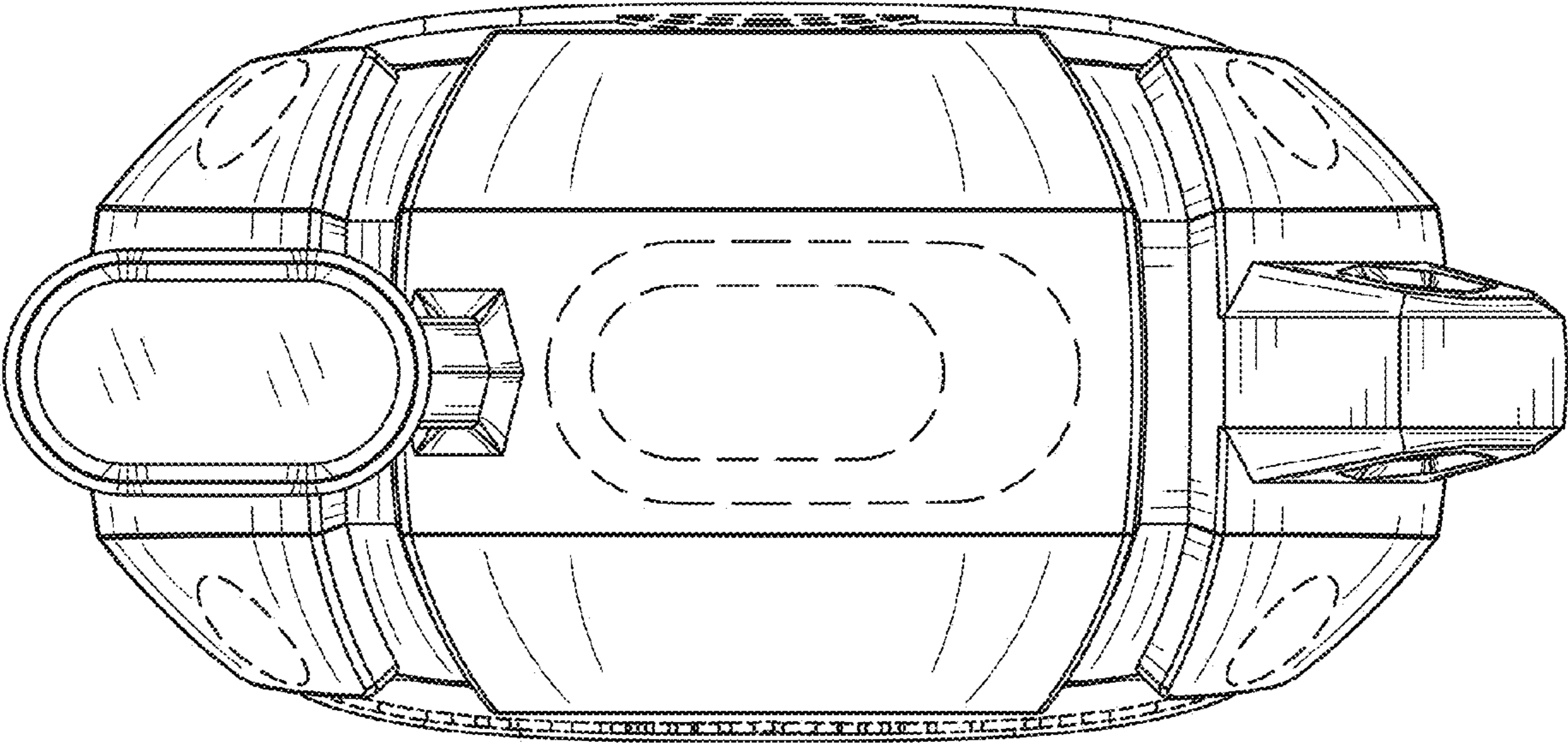


FIG. 6

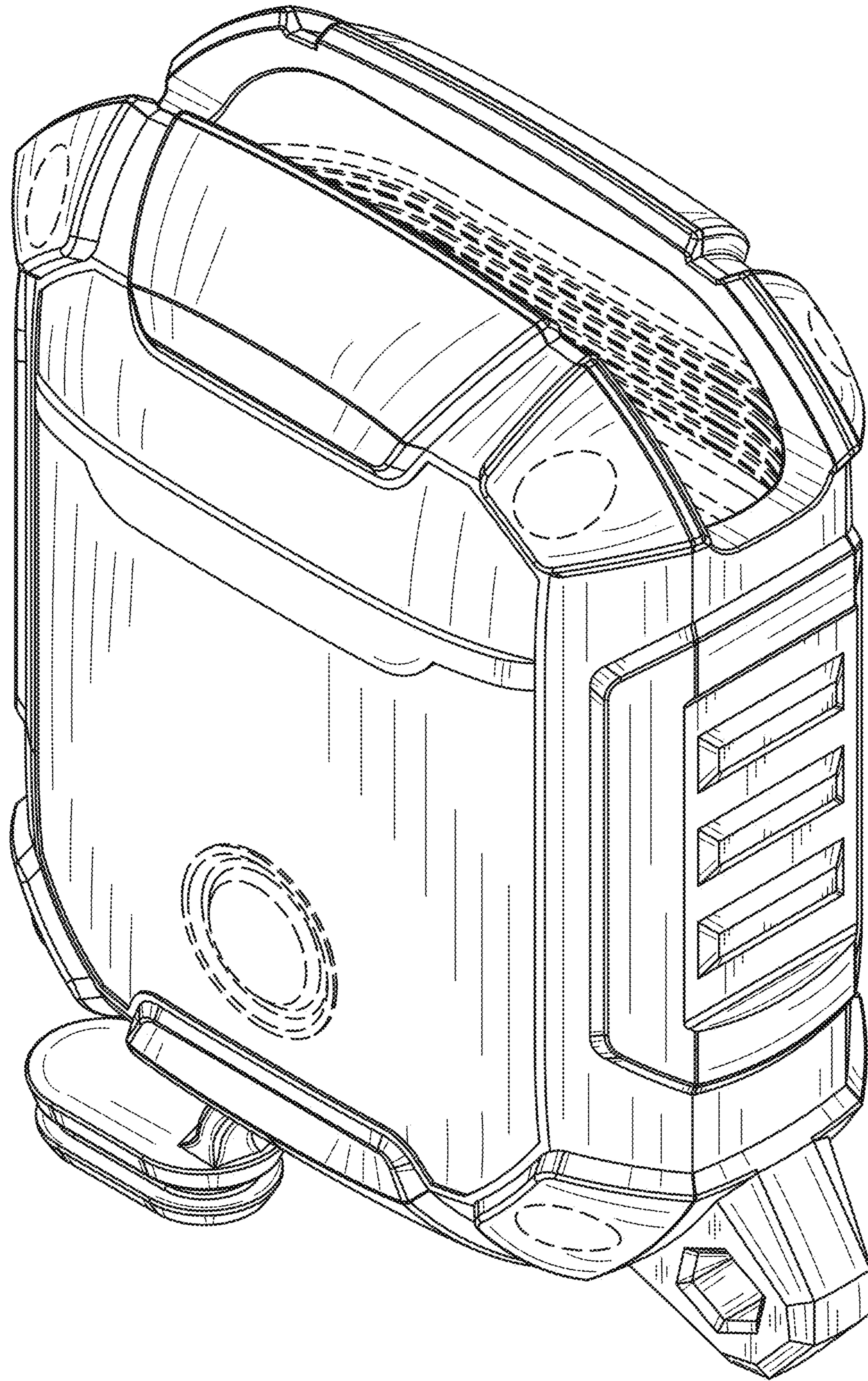


FIG. 7

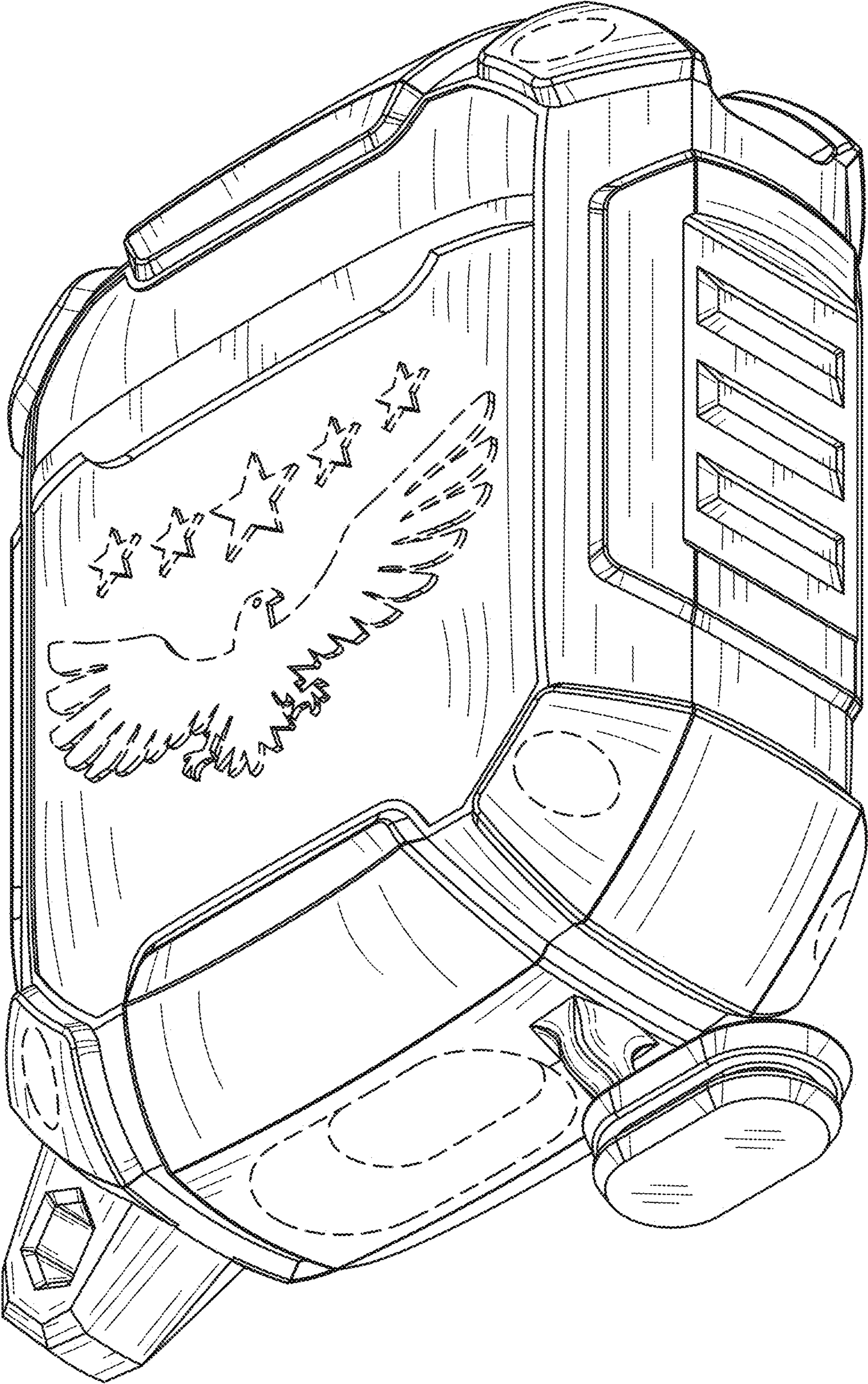


FIG. 8