



US00D869146S

(12) **United States Design Patent** (10) **Patent No.:** **US D869,146 S**
Jacobsen (45) **Date of Patent:** **** Dec. 10, 2019**

(54) **TOTE BAG**
(71) Applicant: **RTIC IP, LLC**, Houston, TX (US)
(72) Inventor: **James Matthew Jacobsen**, Houston, TX (US)
(73) Assignee: **RTIC IP, LLC**, Houston, TX (US)
(**) Term: **15 Years**
(21) Appl. No.: **29/657,964**
(22) Filed: **Jul. 26, 2018**
(51) **LOC (12) Cl.** **03-01**
(52) **U.S. Cl.**
USPC **D3/201**
(58) **Field of Classification Search**
USPC D3/201, 207, 208, 215, 226, 228, 229,
D3/230, 269, 273, 290, 299, 303, 304,
D3/316, 318; D9/702, 703, 705, 707,
D9/709, 710
CPC B65D 83/384; F41H 9/10
See application file for complete search history.

(56) **References Cited**

U.S. PATENT DOCUMENTS

D821,825 S	7/2018	Sullivan et al.	
D822,987 S *	7/2018	Seiders	D3/246
D823,601 S	7/2018	Seiders et al.	
D823,602 S	7/2018	Seiders et al.	
D830,132 S *	10/2018	Sullivan	D7/607
D830,133 S *	10/2018	Sullivan	D7/607
D830,134 S *	10/2018	Sullivan	D7/607
D836,996 S *	1/2019	Jacobsen	D7/607
D837,000 S *	1/2019	Jacobsen	D7/607
D837,001 S *	1/2019	Jacobsen	D7/607
D851,404 S	7/2019	Seiders et al.	
D853,728 S	7/2019	Seiders et al.	

D859,813 S *	9/2019	Seiders	D3/201
D860,634 S *	9/2019	Seiders	D3/201
2018/0024270 A1	1/2018	Ray et al.	

OTHER PUBLICATIONS

'amazon.com' [online]. "Built NY 5213958 Large Welded Insulated Leak-Proof Soft Cooler Bag with Wide Mouth Opening Olive," Published on or before July 25, 2018, [retrieved on Mar. 20, 2019], retrieved from the Internet: URL:<https://www.amazon.com/Built-5213958-Insulated-Leak-Proof-Opening/dp/B071D6T8JK#customerReviews>. 18 pages

(Continued)

Primary Examiner — Holly E Thurman

(74) *Attorney, Agent, or Firm* — Fish & Richardson P.C.

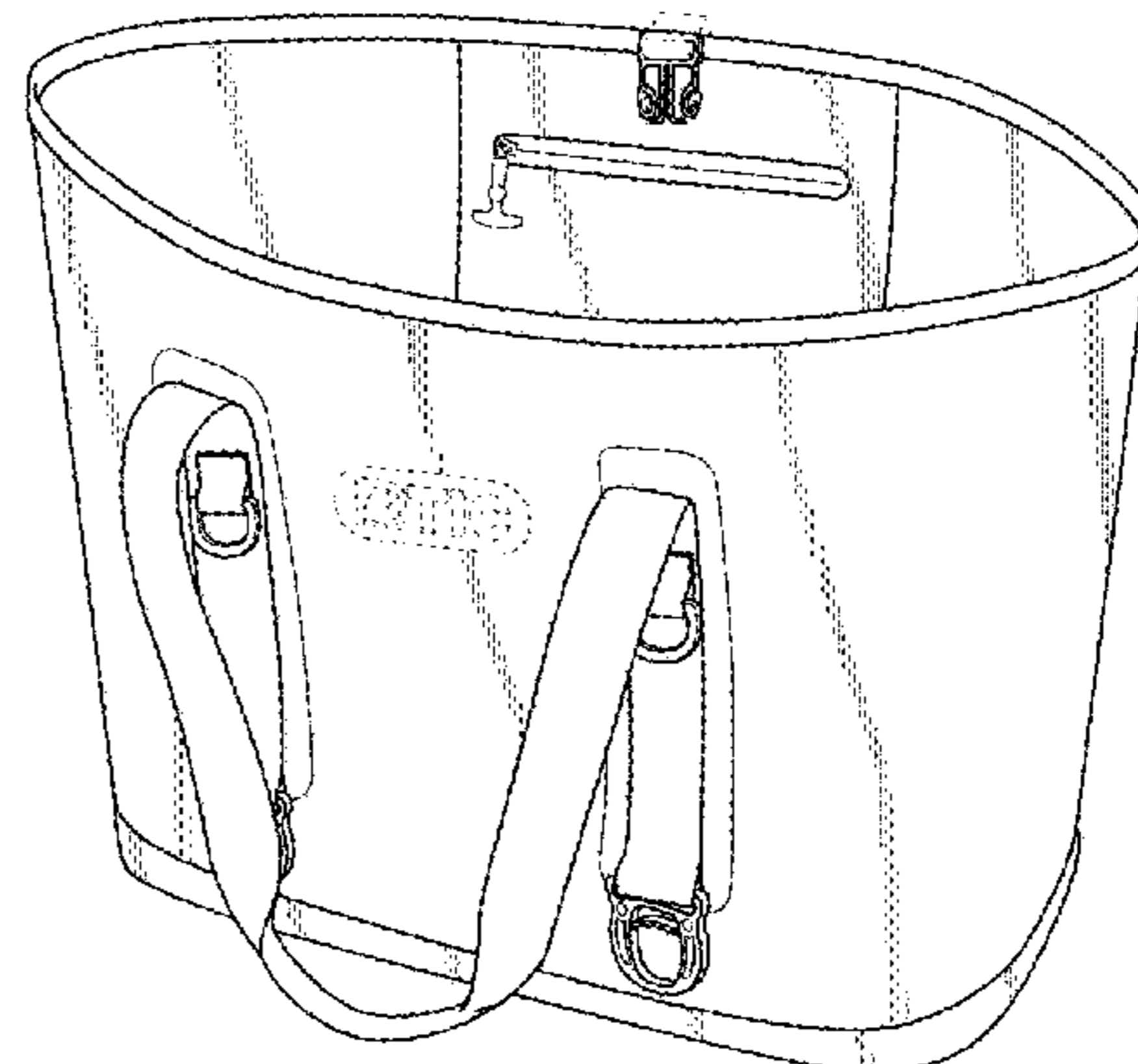
(57) **CLAIM**

The ornamental design for a tote bag, as shown and described.

DESCRIPTION

FIG. 1 is a perspective view of a tote bag, showing my new design, in a closed position;
FIG. 2 is a perspective view of the tote bag in an open position;
FIG. 3 is a top view of the tote bag in a closed position;
FIG. 4 is a front view thereof;
FIG. 5 is a rear view thereof;
FIG. 6 is a right side view thereof;
FIG. 7 is a left side view thereof; and,
FIG. 8 is a bottom view thereof.
The surface shading and contour lines shown in the drawings represent the three-dimensional character and contour of the article, and are not intended to illustrate material, surface ornamentation or surface decoration.
The dashed broken lines in the drawings illustrate environment and form no part of the claimed design.

1 Claim, 3 Drawing Sheets



(56)

References Cited

OTHER PUBLICATIONS

'amazon.com' [online]. "Thermos Trailsman 36 can Tote, Cream/Tan," Published on or before July 25, 2018, [retrieved on Mar. 20, 2019], retrieved from the Internet: URL: <<https://www.amazon.com/Thermos-Trailsman-Can-Tote-Cream/dp/B078WVK8QK>>. 12 pages.

'amazon.com' [online]. "YETI Hopper Two 30 Portable Cooler, Field Tan/Blaze Orange," Published on or before July 25, 2018, [retrieved on Mar. 20, 2019], retrieved from the Internet: URL: <https://www.amazon.com/gp/product/B06WP84SWV/ref=as_li_tl?imprToken=f8VEC9Jg8dbi-gwY6fUi-Q&slotNum=1&ie=UTF8&tag=tinsulatedcoolers-20&camp=1789&creative=9325&linkCode=w61&creativeASIN=B06WP84SWV&linkId=590d21bf4635c37d731cd44617b403dd#customerReviews>. 9 pages.

'anypromo.com' [online]. "iCOOL Extreme Waterproof Cooler Bag," Published on or before Jul. 25, 2018, [retrieved on Mar. 20, 2019], retrieved from the Internet: URL: <[https://www.anypromo.com/bags-luggage/lunch-bags-cooler/icool-extreme-waterproof-cooler-bag-p745860?utm_source=google&utm_medium=PLA&utm_campaign=745860&s=1&glppc=1&calltrk=pla&gclid="](https://www.anypromo.com/bags-luggage/lunch-bags-cooler/icool-extreme-waterproof-cooler-bag-p745860?utm_source=google&utm_medium=PLA&utm_campaign=745860&s=1&glppc=1&calltrk=pla&gclid=)>.

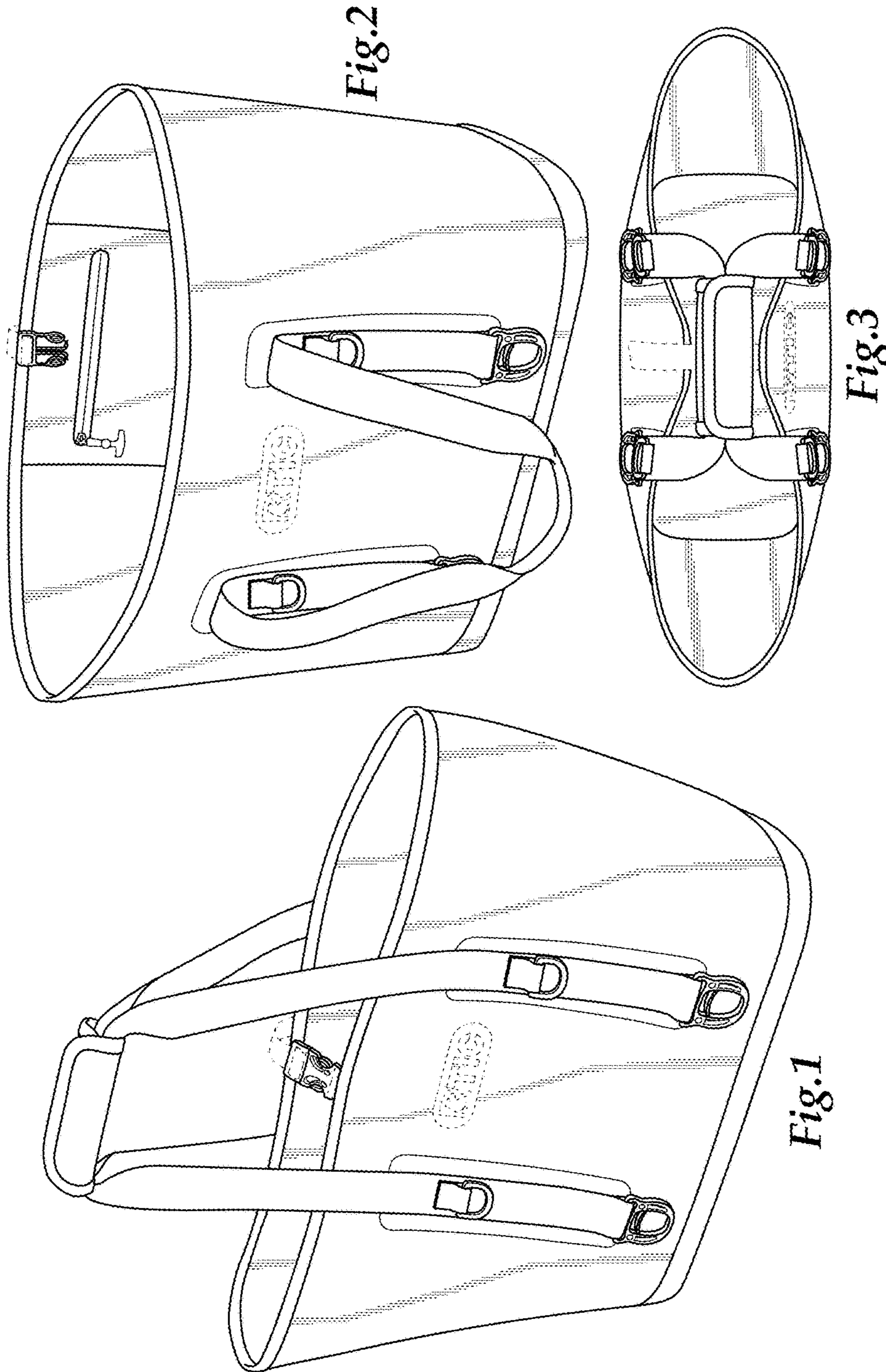
CjwKCAjwycfkBRAFEiwAnLX5Ie_yN_B-1o3WMHh0dbS31HcT3unoWgyZ5rpMkiSI4sy5GwrjK_dmjxoCKQQQAvD_BwE>. 5 pages.

'target.com' [online]. "Ice Creek Welder Cooler Tote—Gray (24 Can)," Published on or before Jul. 25, 2018, [retrieved on Mar. 20, 2019], retrieved from the Internet: URL: <https://www.target.com/p/ice-creek-welder-cooler-tote-gray-24-can/-/A-52699859?ref=tgt_adv_XS000000&AFID=google_pla_df&fndsrc=gtao&CPNG=PLA_Patio%2BGarden%2BShopping&adgroup=SC_Patio%2BGarden&LID=700000001170770pgs&network=g&device=c&location=9061189&ds_rl=1246978&ds_rl=1247068&ds_rl=1246978&gclid=CjwKCAjwycfkBRAFEiwAnLX5IZVm7odpeMVVFKJFoK06AAv8nOL-ofJE3AK8W7EQ2tS0zC08zl_hoCOa4QAvD_BwE&gclid=aw.ds>. 6 pages.

'yeti.com' [online]. "Camino Carryall 35," Published on or before Jul. 25, 2018, [retrieved on Apr. 15, 2019], retrieved from the Internet: URL: <<https://www.yeti.com/camino-carryall-35/YCCA35.html>>. 9 pages.

'yeti.com' [online]. "Camino Carryall 35," Published on or before Jul. 25, 2018, [retrieved on Mar. 20, 2019], retrieved from the Internet: URL: <https://www.yeti.com/en_US/camino-carryall-35/YCCA35.html>. 12 pages.

* cited by examiner



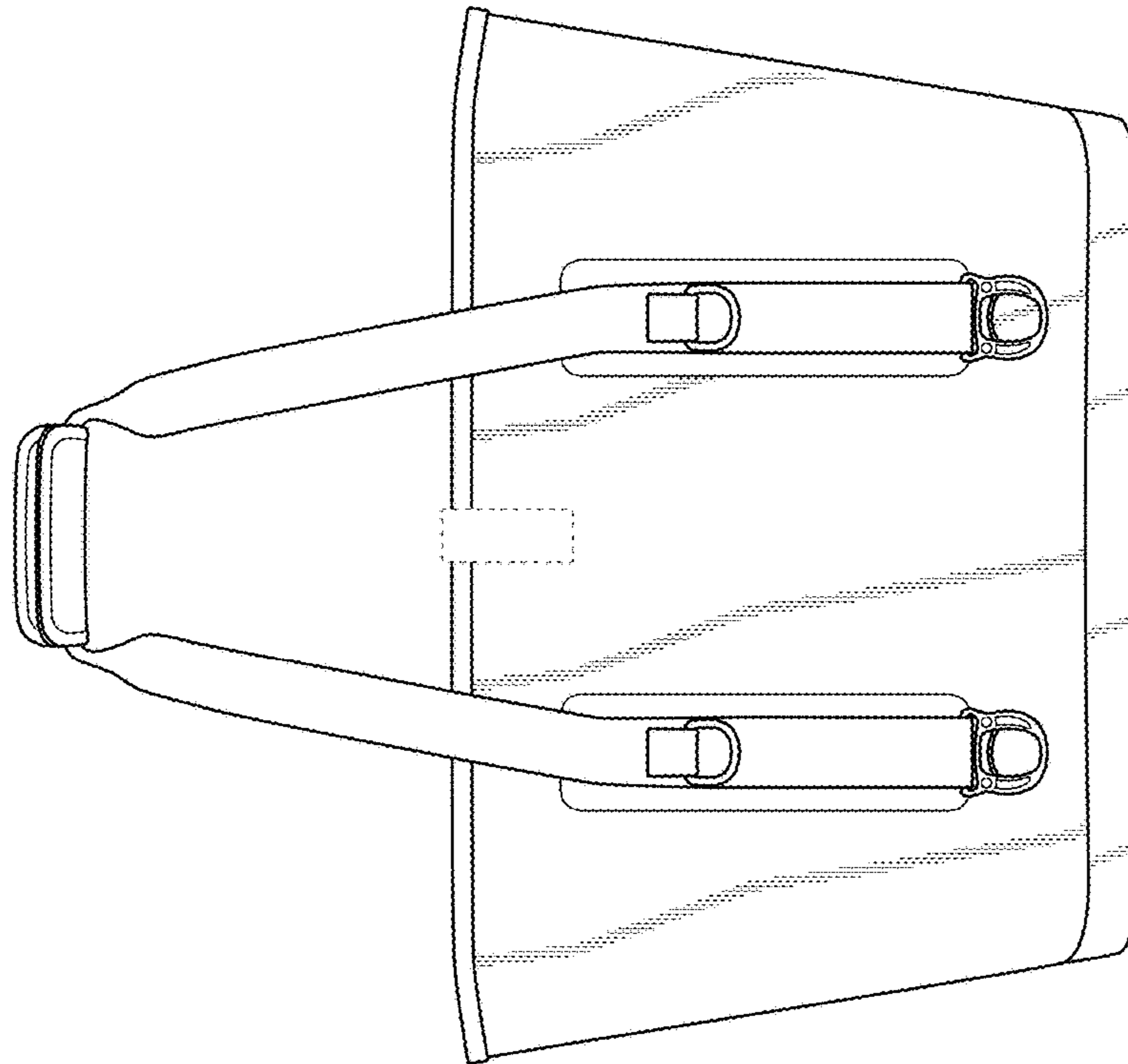


Fig.5

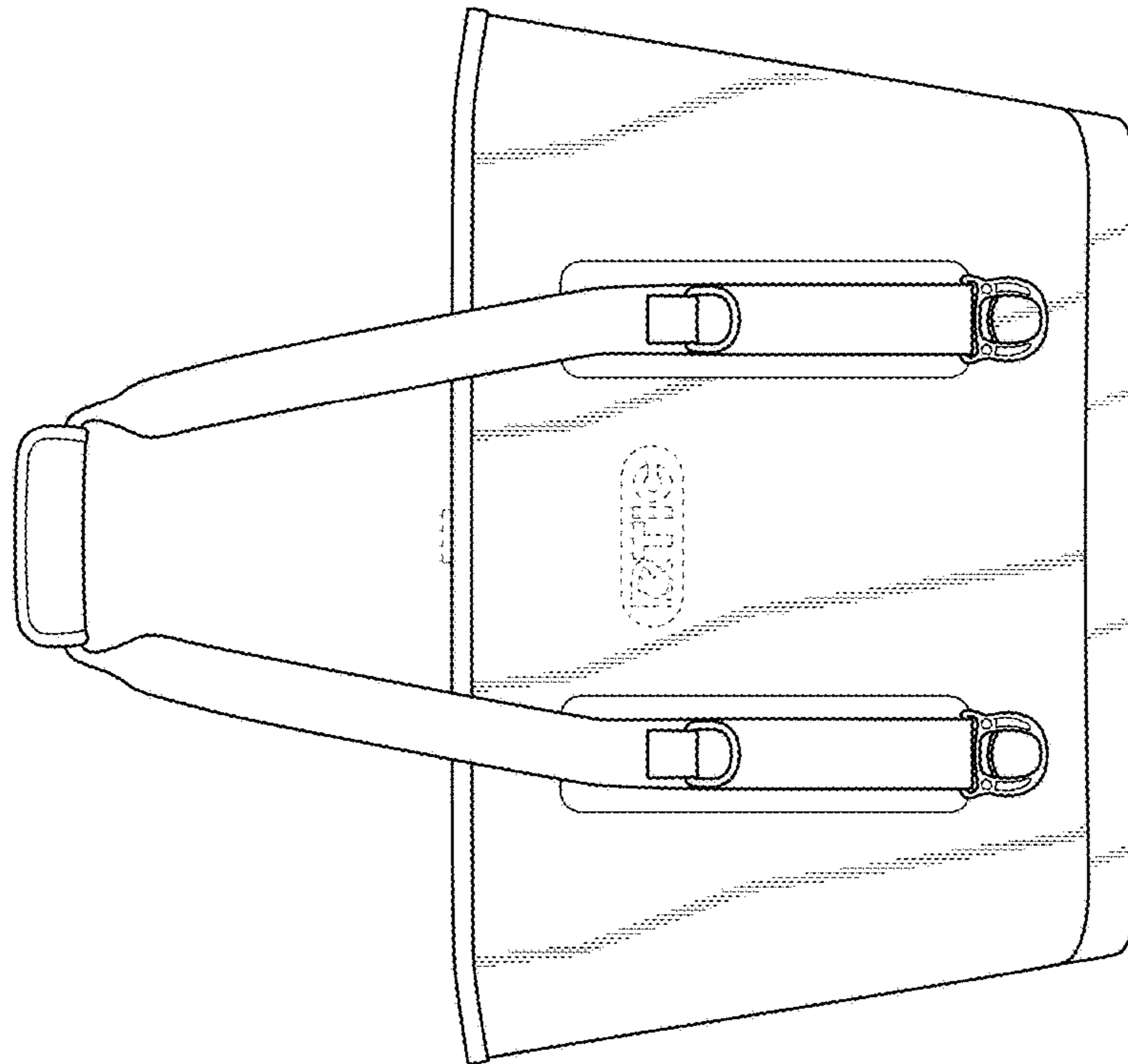


Fig.4

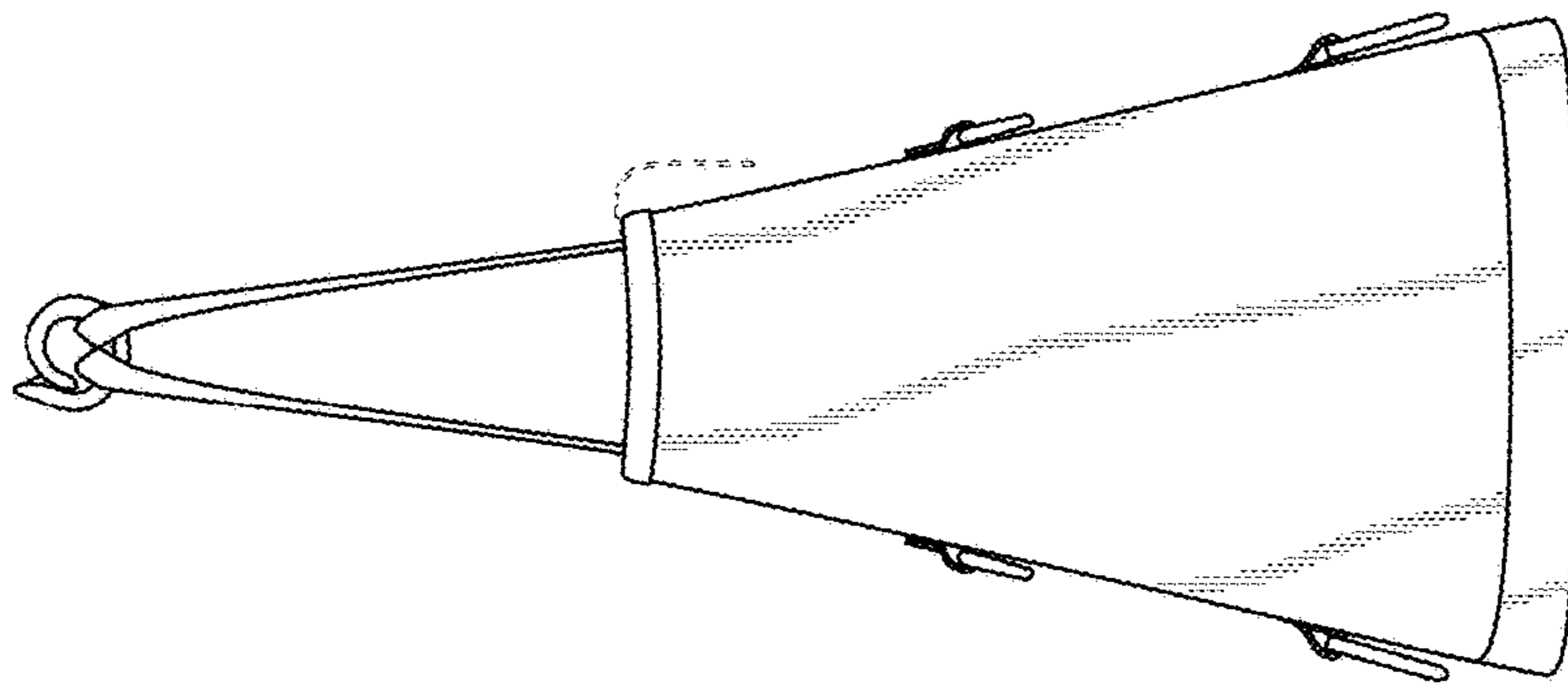


Fig. 6

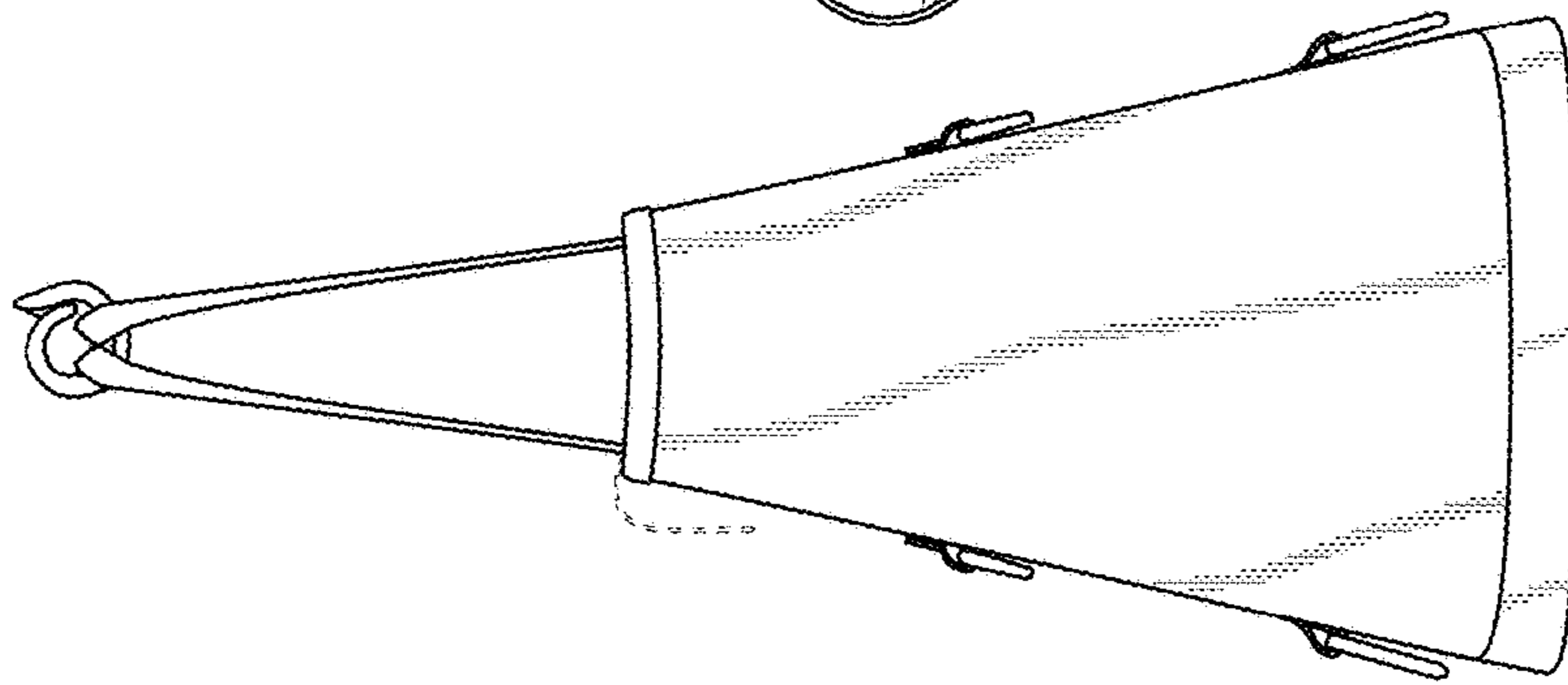


Fig. 7

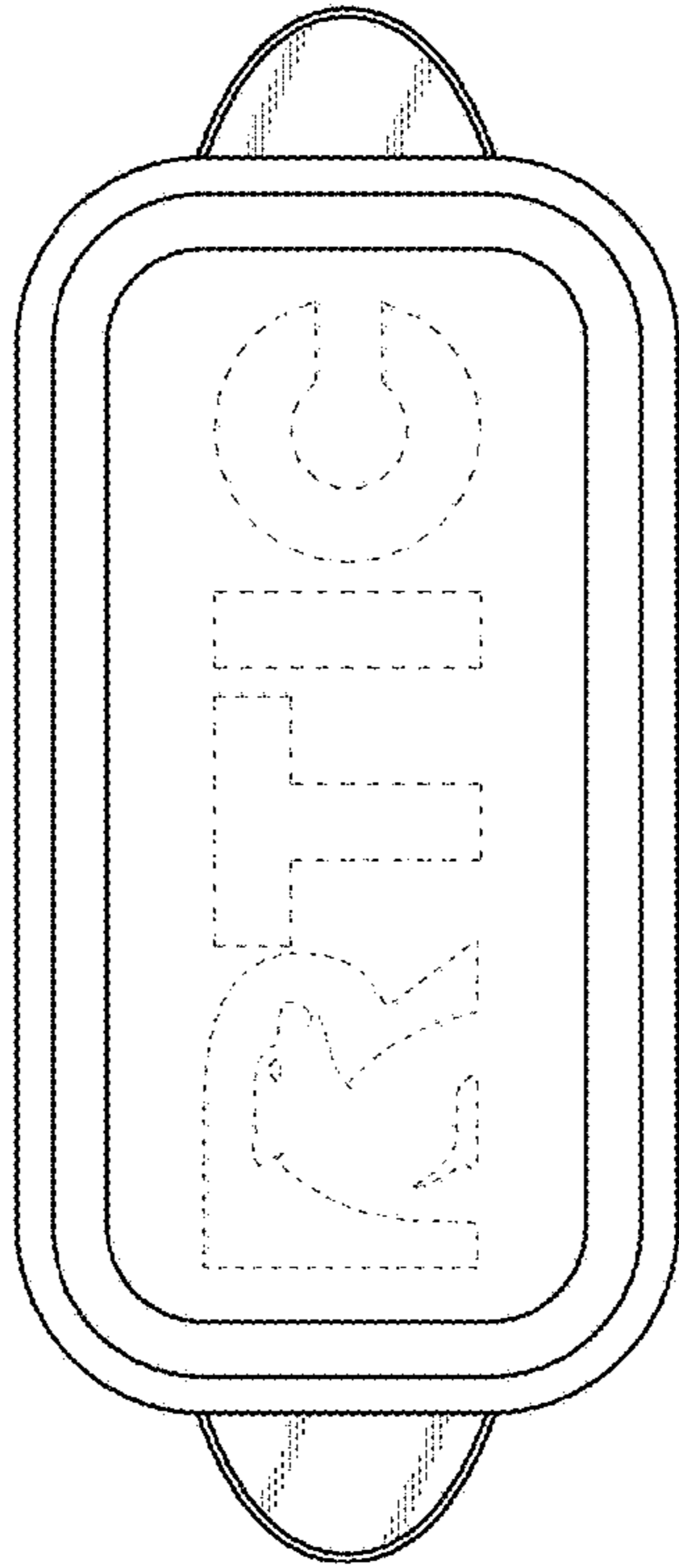


Fig. 8