



US00D869136S

(12) **United States Design Patent** (10) **Patent No.:** **US D869,136 S**
Natowich McPhee et al. (45) **Date of Patent:** **** Dec. 10, 2019**

(54) **SHOE SOLE**

13/28; A43B 13/30; A43B 13/32; A43B 13/34; A43B 13/36

See application file for complete search history.

(71) Applicant: **TBL Licensing LLC**, Stratham, NH (US)

(56) **References Cited**

(72) Inventors: **Anna Regan Natowich McPhee**, Durham, NH (US); **Norman Gress**, Andover, MA (US)

U.S. PATENT DOCUMENTS

(73) Assignee: **TBL Licensing LLC**, Stratham, NH (US)

4,808,469	A	2/1989	Hiles	
D390,348	S	2/1998	Meyer et al.	
D397,846	S *	9/1998	Lozano	D2/947
D397,848	S *	9/1998	Avar	D2/947
D401,040	S	11/1998	Schneider	
D417,943	S	12/1999	Solaroli	
D420,497	S *	2/2000	Panella	D2/947
D429,411	S	8/2000	Gillespie	
D455,544	S *	4/2002	Wilson	D2/947

(**) Term: **15 Years**

(Continued)

(21) Appl. No.: **29/632,488**

OTHER PUBLICATIONS

(22) Filed: **Jan. 8, 2018**

Gress et al., U.S. Appl. No. 29/688,790, filed Apr. 24, 2019, titled "Shoe Sole".

Related U.S. Application Data

(Continued)

(63) Continuation-in-part of application No. 29/602,210, filed on Apr. 28, 2017.

Primary Examiner — T Chase Nelson

(51) **LOC (12) Cl.** **02-04**

(74) *Attorney, Agent, or Firm* — Lerner, David, Littenberg, Krumholz & Mentlik, LLP

(52) **U.S. Cl.**

(57) **CLAIM**

USPC **D2/957**; D2/947; D2/951; D2/953; D2/960

The ornamental design for a shoe sole, as shown and described.

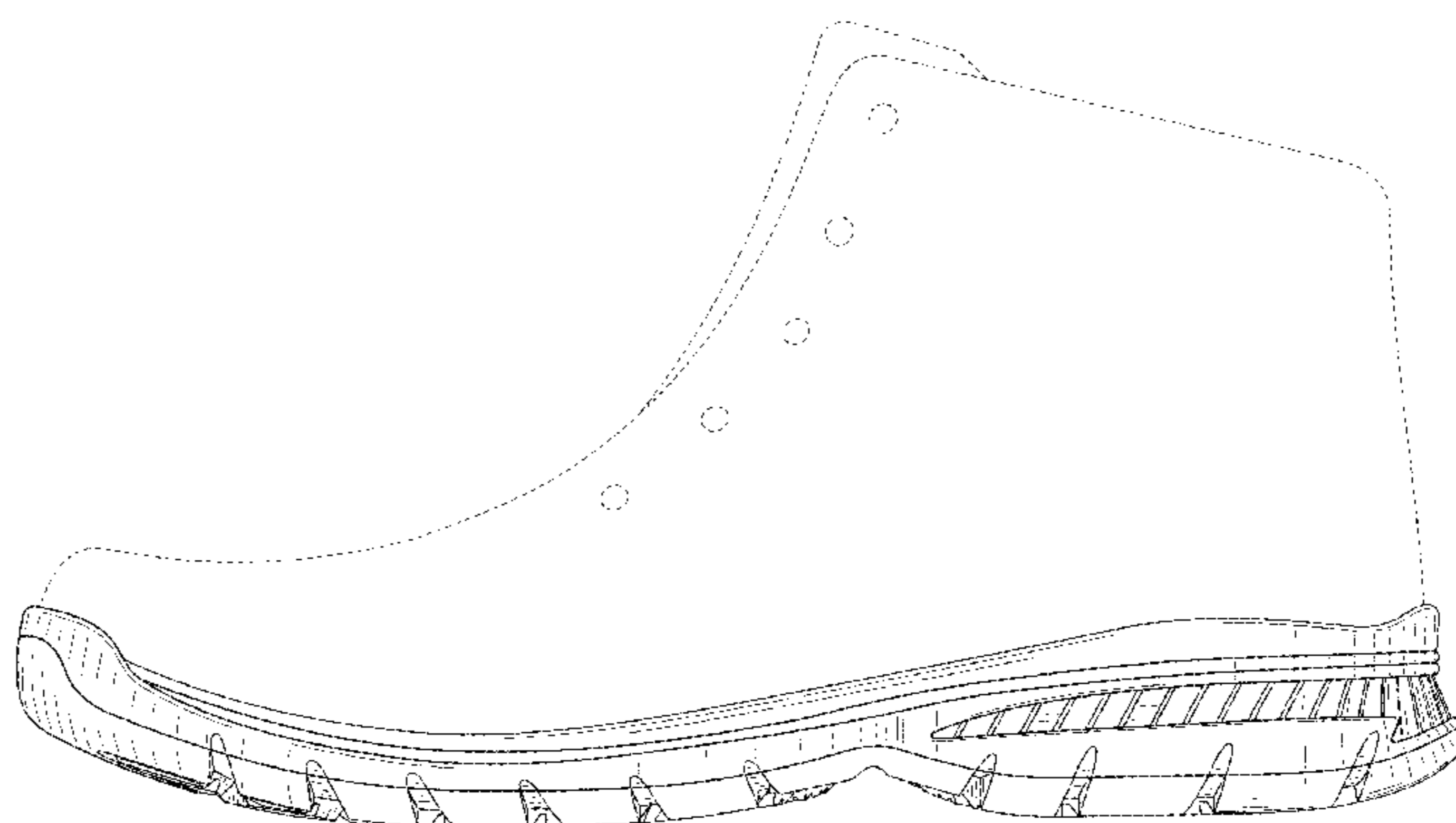
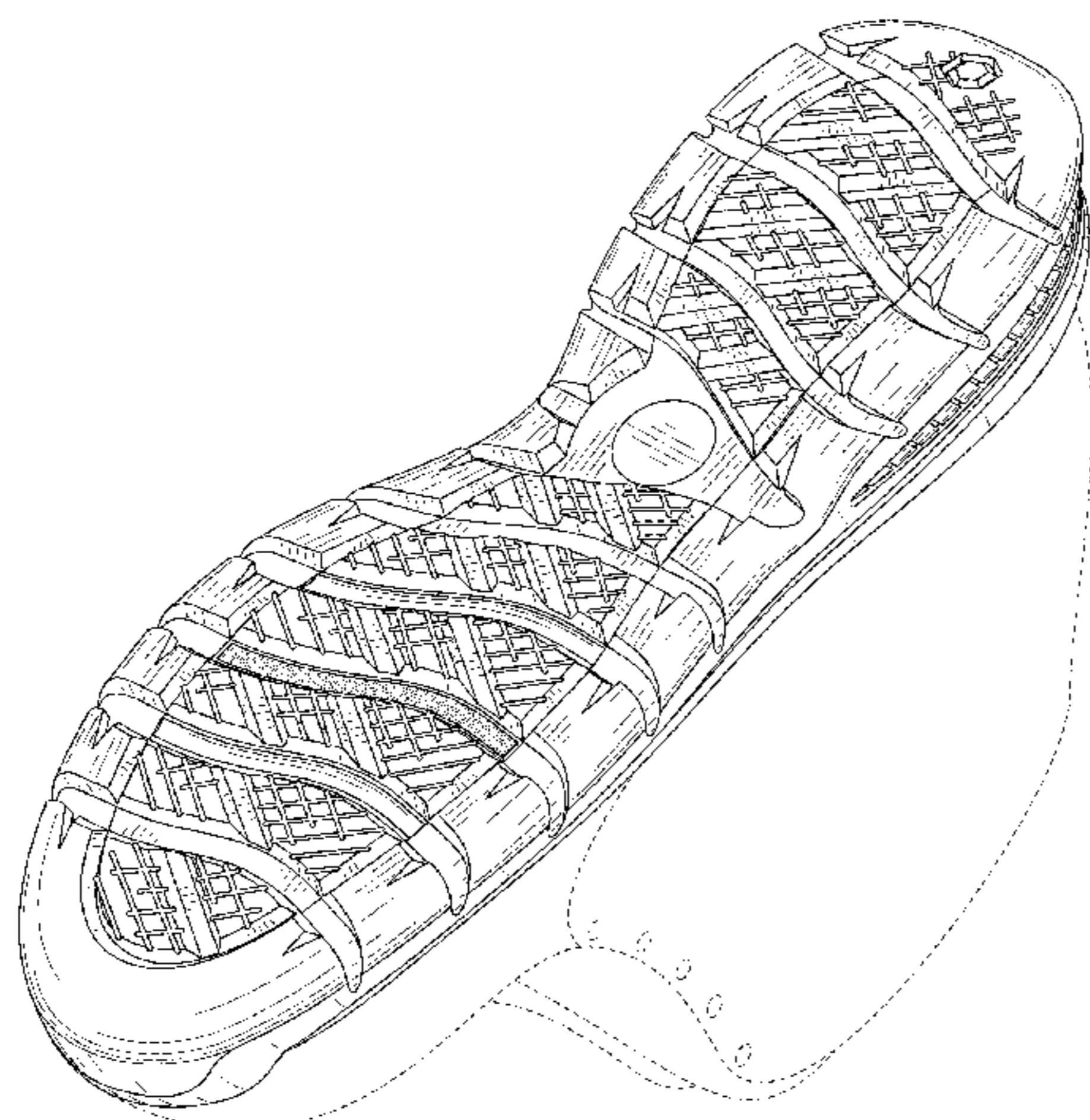
(58) **Field of Classification Search**

DESCRIPTION

USPC D2/902, 906, 908, 916, 918, 925, D2/946–962, 977; 36/3 B, 22 R, 24.5, 36/25 R, 28, 32 R, 34 R, 59 C, 67 A, 103
 CPC A43B 13/00; A43B 13/02; A43B 13/023; A43B 13/026; A43B 13/04; A43B 13/08; A43B 13/10; A43B 13/12; A43B 13/14; A43B 13/141; A43B 13/143; A43B 13/16; A43B 13/18; A43B 13/181; A43B 13/187; A43B 13/189; A43B 13/20; A43B 13/22; A43B 13/223; A43B 13/24; A43B

FIG. 1 is a bottom perspective view of a shoe sole according to our design;
 FIG. 2 is a front view thereof;
 FIG. 3 is a rear view thereof;
 FIG. 4 is a right side view thereof;
 FIG. 5 is a left side view thereof;
 FIG. 6 is a top view thereof; and,
 FIG. 7 is a bottom view thereof.

(Continued)



The broken lines illustrate unclaimed environmental structure and form no part of the claimed design. The portions shown in patterns of stipple illustrate areas of contrasting appearance.

1 Claim, 6 Drawing Sheets

(56)

References Cited

U.S. PATENT DOCUMENTS

D461,946 S * 8/2002 Burt A43B 1/04
D2/951
D468,517 S 1/2003 Recchi et al.
D483,554 S 12/2003 Burg et al.
D485,666 S 1/2004 Bray, Jr. et al.
D507,096 S 7/2005 Chen
D531,788 S 11/2006 Rittberg
D532,585 S 11/2006 McDonald
D547,038 S * 7/2007 Nakano D2/957
D553,835 S 10/2007 McClaskie
D591,943 S 5/2009 Recchi
D608,534 S 1/2010 Bullard
D695,505 S * 12/2013 Hansen D2/951
D697,296 S 1/2014 Loyley
D699,026 S 2/2014 Stark
D717,527 S * 11/2014 Truelsen D2/951
D724,829 S 3/2015 Lonigan
D740,004 S * 10/2015 Hoellmueller D2/947
D740,530 S * 10/2015 Truelsen D2/951
D746,562 S 1/2016 Babcock
D755,492 S 5/2016 Bizzo
D759,360 S 6/2016 Zappiello
D759,953 S 6/2016 Cohn et al.
D770,744 S 11/2016 Escobar
D786,545 S * 5/2017 Link D2/947

D789,056 S 6/2017 Tzenos
D795,547 S * 8/2017 Winfield D2/951
D797,423 S 9/2017 Bischoff et al.
D802,267 S * 11/2017 Bacon D2/953
D802,895 S 11/2017 Hatfield
D802,897 S 11/2017 Howe
D808,138 S * 1/2018 Monroy D2/957
D814,755 S * 4/2018 McManus D2/957
D816,960 S 5/2018 Cin
D817,616 S 5/2018 Cin
D819,944 S 6/2018 Martin
D821,078 S 6/2018 Galway
D822,966 S 7/2018 Thompson et al.
D822,968 S 7/2018 Moranges
D824,151 S 7/2018 Newman
D843,098 S * 3/2019 Natowich McPhee D2/960
D845,595 S * 4/2019 Swegle D2/957
D845,600 S * 4/2019 Evans D2/959
D847,478 S 5/2019 Fracassi
D852,485 S * 7/2019 Gress D2/960
2003/0093922 A1 * 5/2003 Delgorgue A43B 13/223
36/59 R
2008/0229617 A1 9/2008 Johnson et al.
2011/0023215 A1 2/2011 Obradovic
2016/0219973 A1 8/2016 Cheney et al.
2017/0188655 A1 7/2017 Carlson et al.
2018/0279720 A1 * 10/2018 Iuchi A43B 1/04

OTHER PUBLICATIONS

Natowich McPhee et al., U.S. Appl. No. 29/602/192, filed Apr. 28, 2017, titled "Shoe Sole".
Natowich McPhee et al., U.S. Appl. No. 29/632,477, filed Jan. 8, 2018, titled "Shoe Sole".
Natowich McPhee et al., U.S. Appl. No. 29/678,938, filed Jan. 31, 2018, titled "Shoe Sole".

* cited by examiner

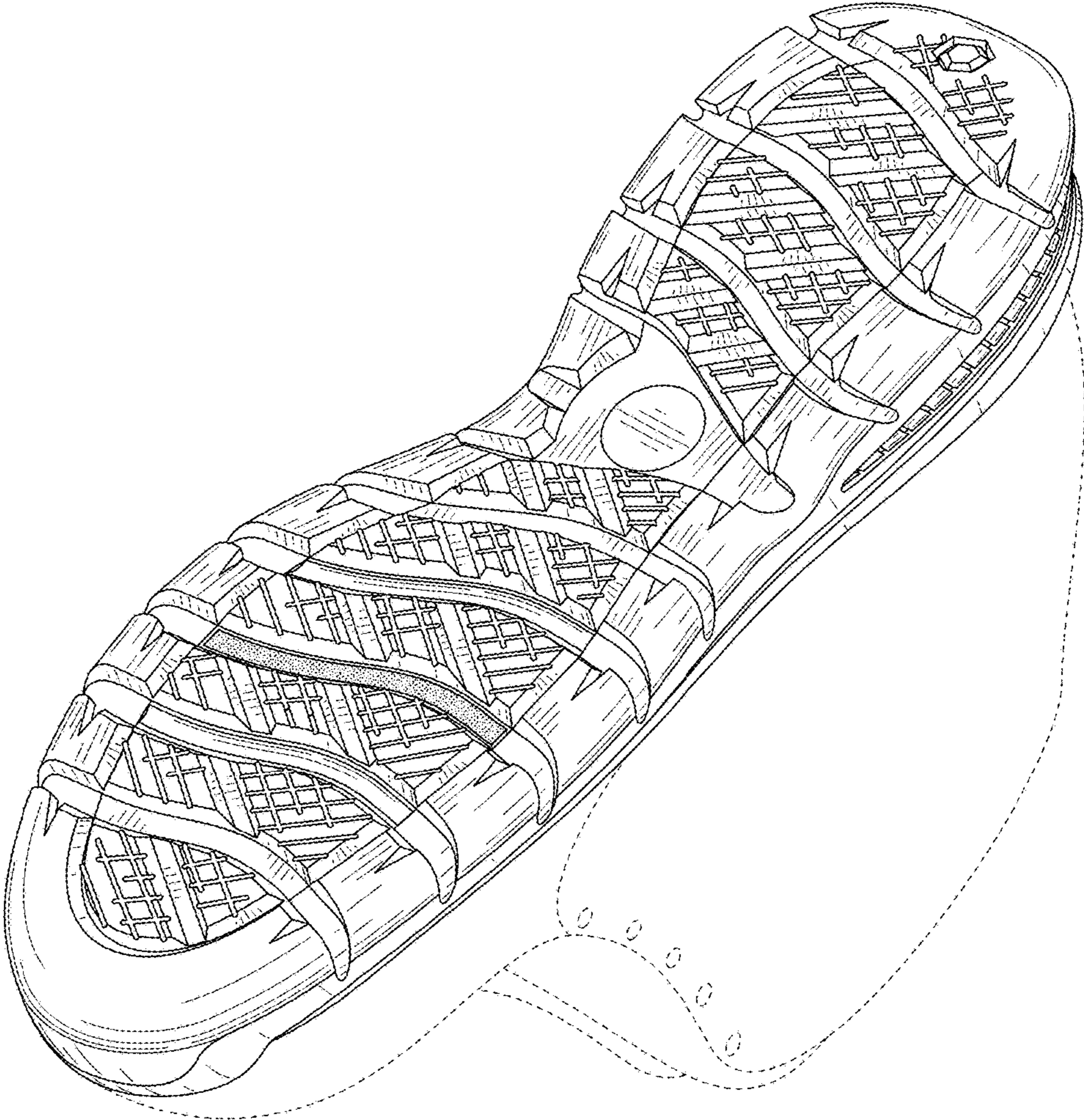


FIG. 1

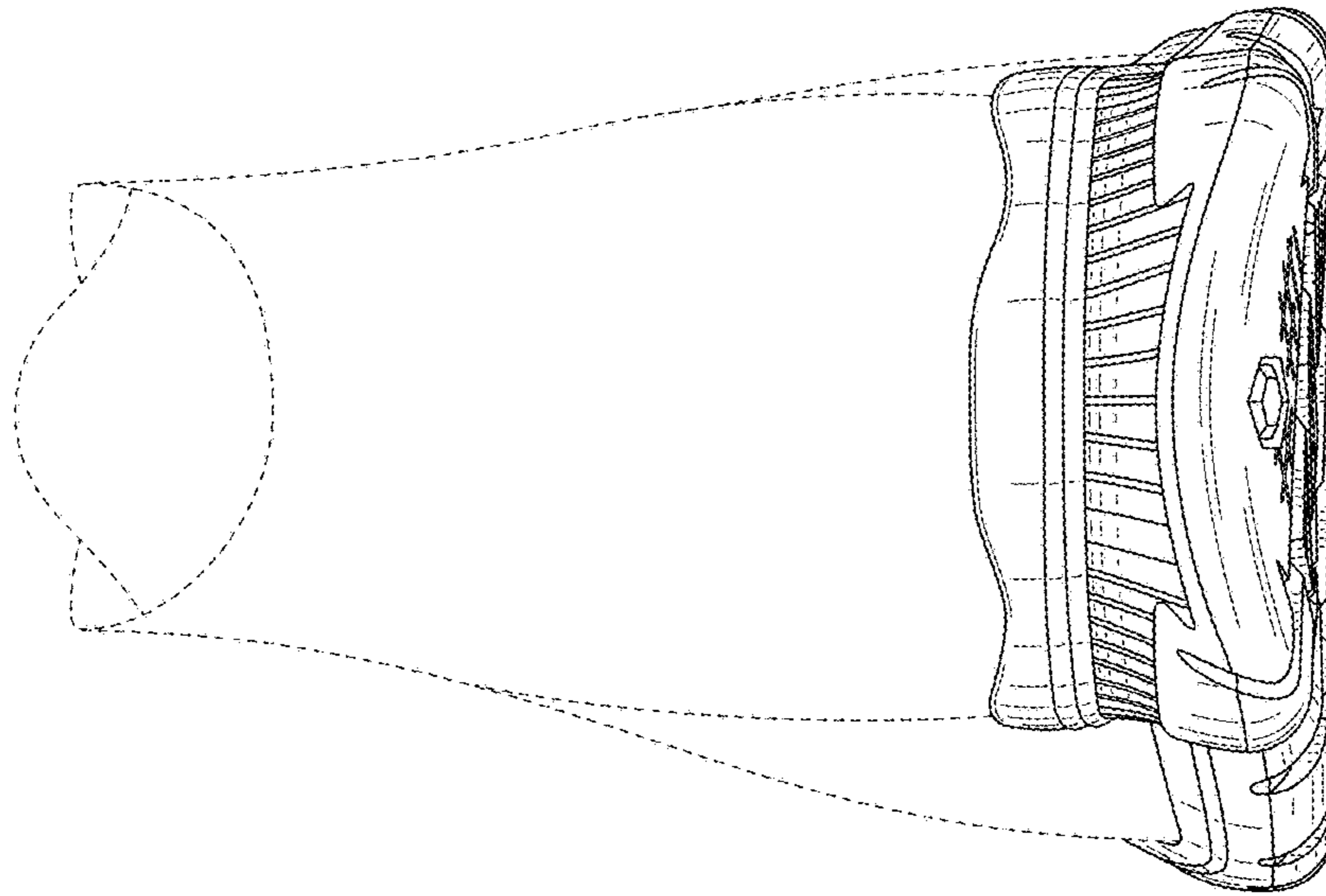


FIG. 3

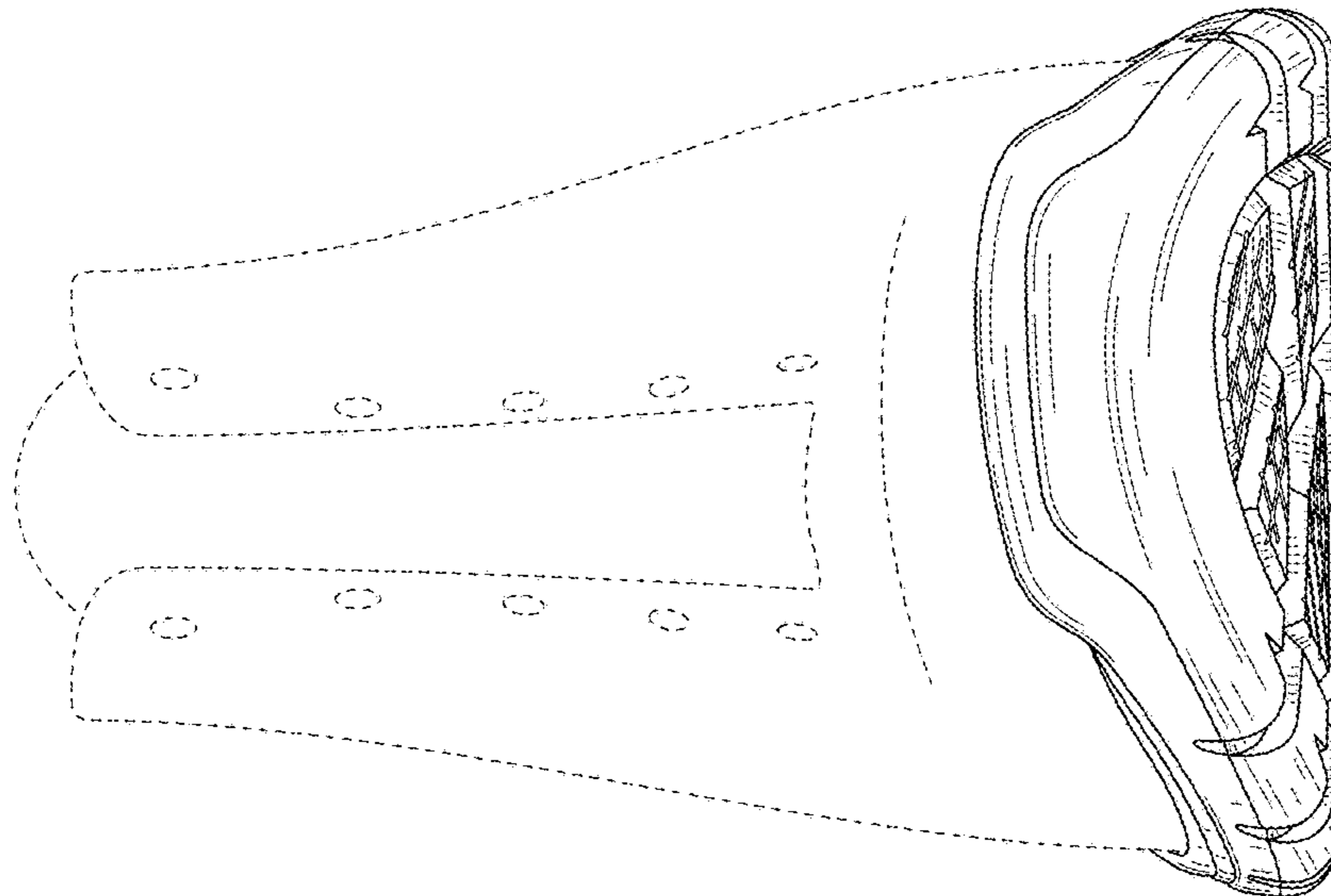


FIG. 2

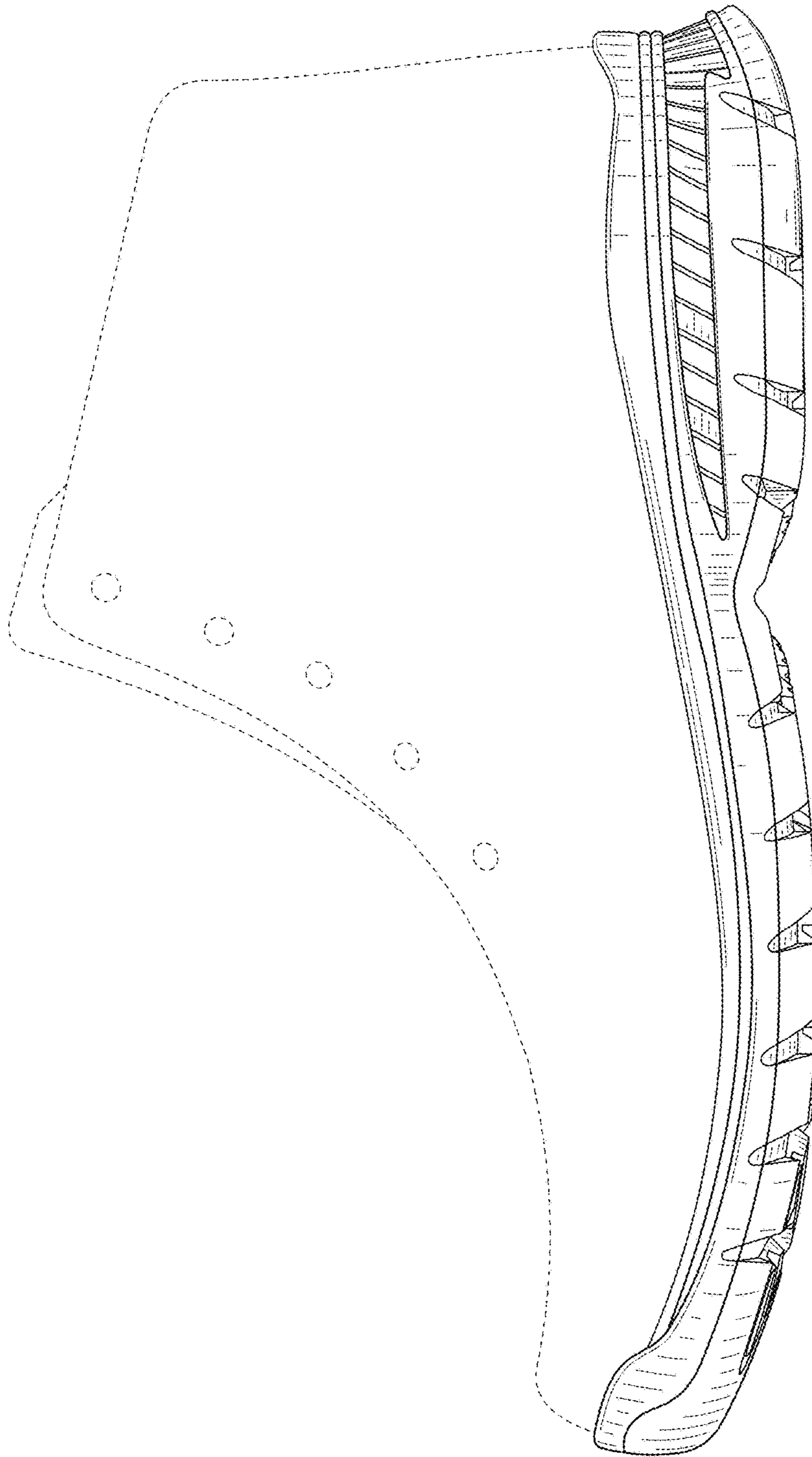


FIG. 4

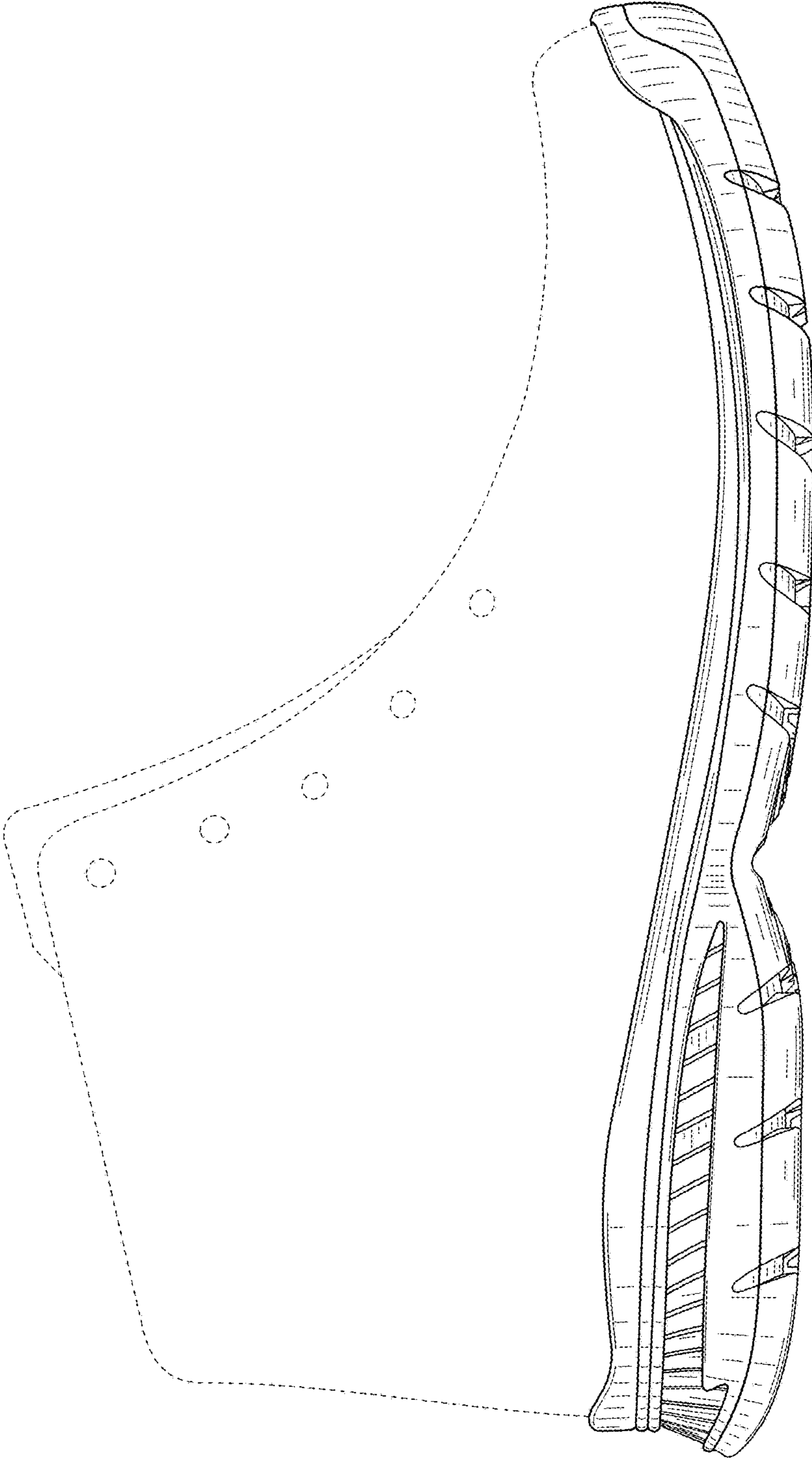


FIG. 5

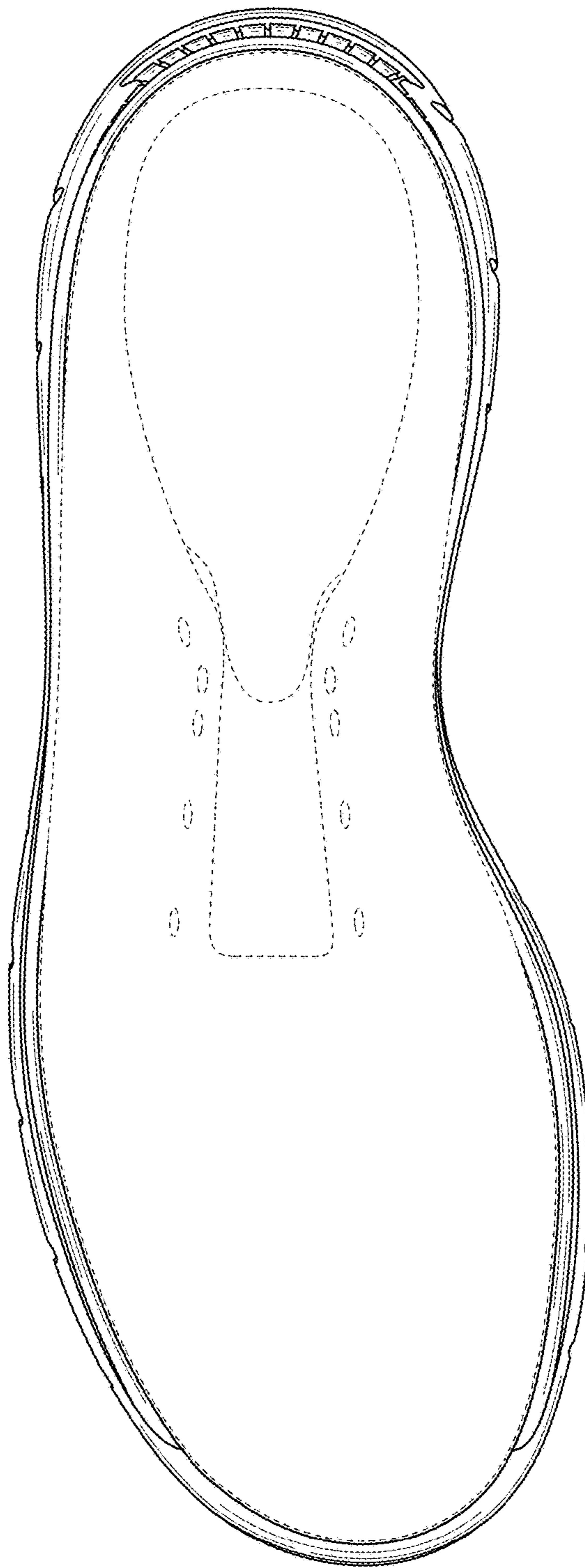


FIG. 6

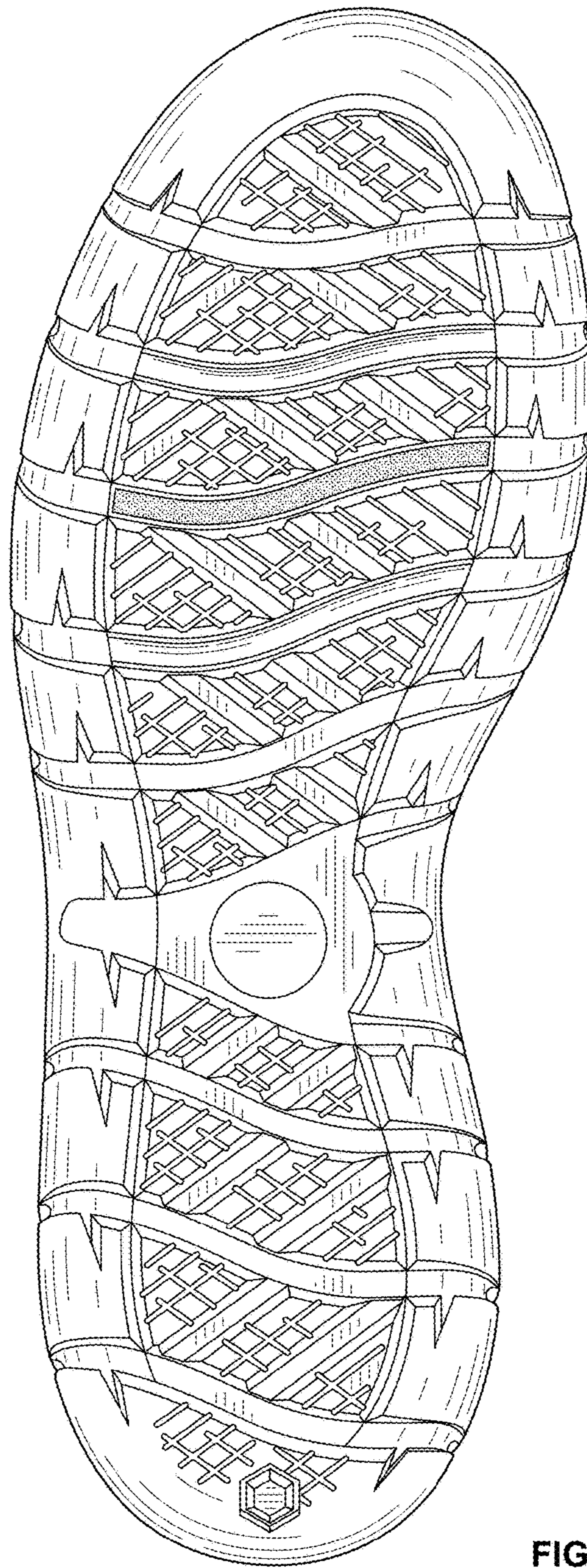


FIG. 7