



US00D869129S

(12) **United States Design Patent**  
**Lehtinen**

(10) **Patent No.:** **US D869,129 S**

(45) **Date of Patent:** **\*\* Dec. 10, 2019**

(54) **OVERSHOE**

(71) Applicant: **Eric Lehtinen**, Belleville (CA)

(72) Inventor: **Eric Lehtinen**, Belleville (CA)

(73) Assignee: **Impacto Protective Products Inc.**,  
Belleville (CA)

(\*\*) Term: **15 Years**

(21) Appl. No.: **29/651,652**

(22) Filed: **Nov. 20, 2018**

(51) **LOC (12) Cl.** ..... **02-04**

(52) **U.S. Cl.**  
USPC ..... **D2/909**

(58) **Field of Classification Search**

USPC ..... D2/896, 907-909, 914, 946, 947, 951,  
D2/952, 953-955, 969; D6/583

CPC ..... A43C 15/165; A43C 5/16; A43C 15/00;  
A43B 1/00

See application file for complete search history.

(56) **References Cited**

**U.S. PATENT DOCUMENTS**

D377,710 S \* 2/1997 Poust ..... D2/914  
D446,912 S \* 8/2001 Cockrell ..... D2/909

D599,088 S \* 9/2009 Kay ..... D2/909  
D625,091 S \* 10/2010 Moon ..... D2/951  
D628,372 S \* 12/2010 Bell ..... D2/906  
D631,644 S \* 2/2011 Simms ..... D2/906  
D651,381 S \* 1/2012 Simms ..... D2/909  
D767,260 S \* 9/2016 Lubart ..... D2/909  
D800,429 S \* 10/2017 Johnson ..... D2/909

\* cited by examiner

*Primary Examiner* — Rashida C. Walshon

(74) *Attorney, Agent, or Firm* — Cassan Maclean IP  
Agency Inc.

(57) **CLAIM**

The ornamental design for an overshoe, as shown and described.

**DESCRIPTION**

FIG. 1 is an isometric view of the overshoe as seen from above and at the toe end;

FIG. 2 is an isometric view of the overshoe as seen from below and at the heel end;

FIG. 3 is a top elevation view of the overshoe;

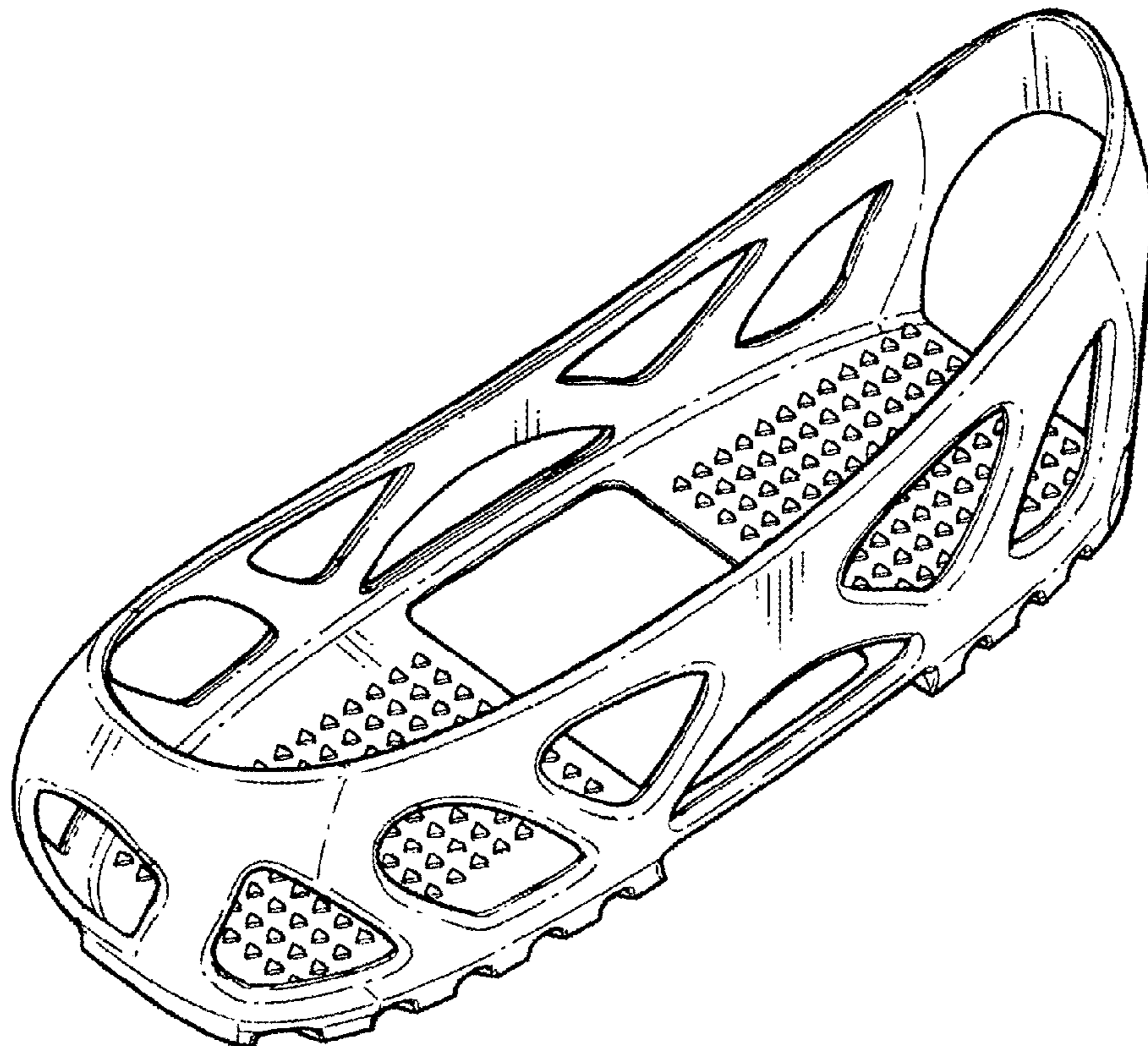
FIG. 4 is a bottom elevation view of the overshoe;

FIG. 5 is a side elevation view of the overshoe the other side being a mirror image;

FIG. 6 is a front elevation view of the overshoe; and,

FIG. 7 is a rear elevation view of the overshoe.

**1 Claim, 3 Drawing Sheets**



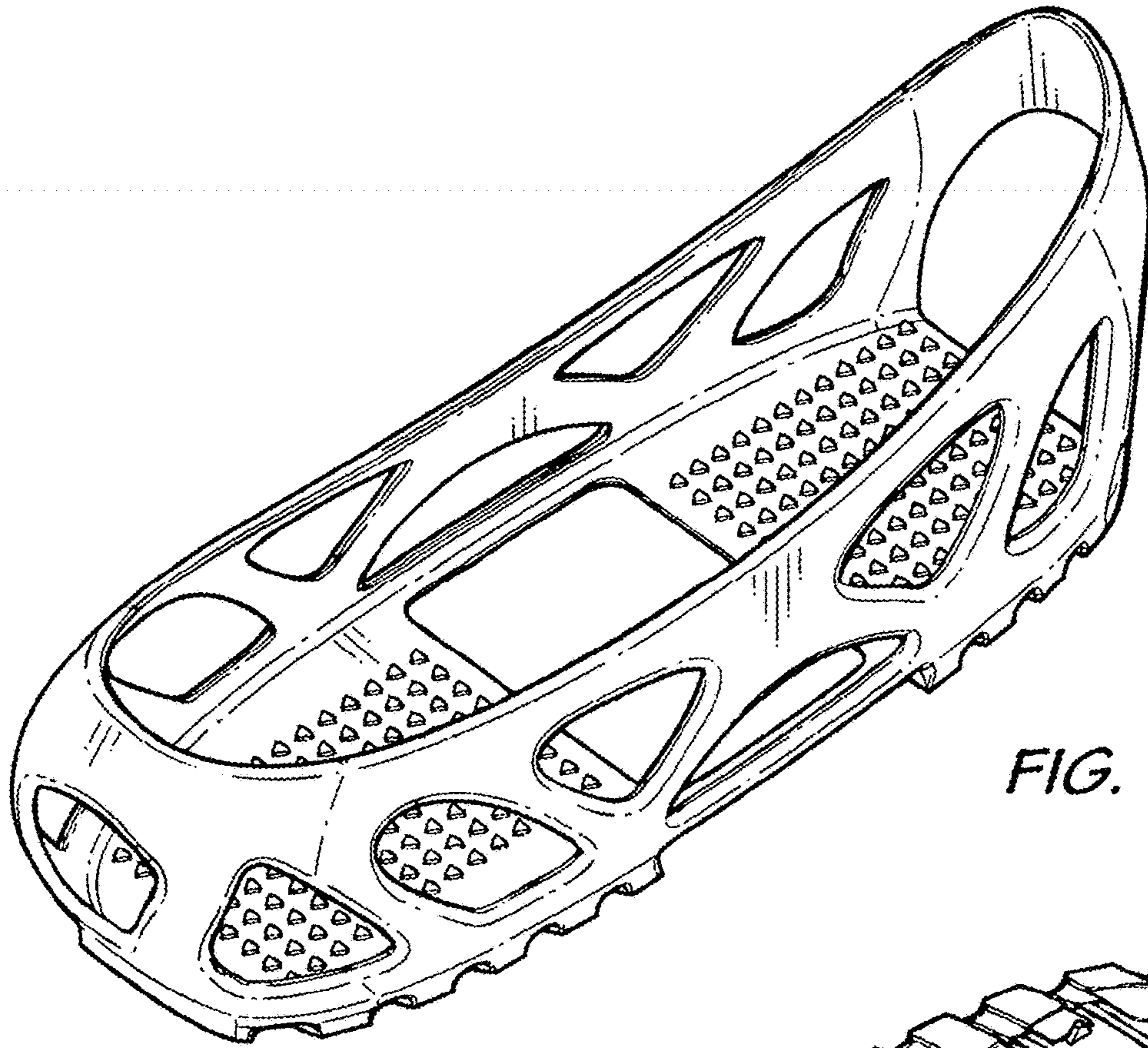


FIG. 1

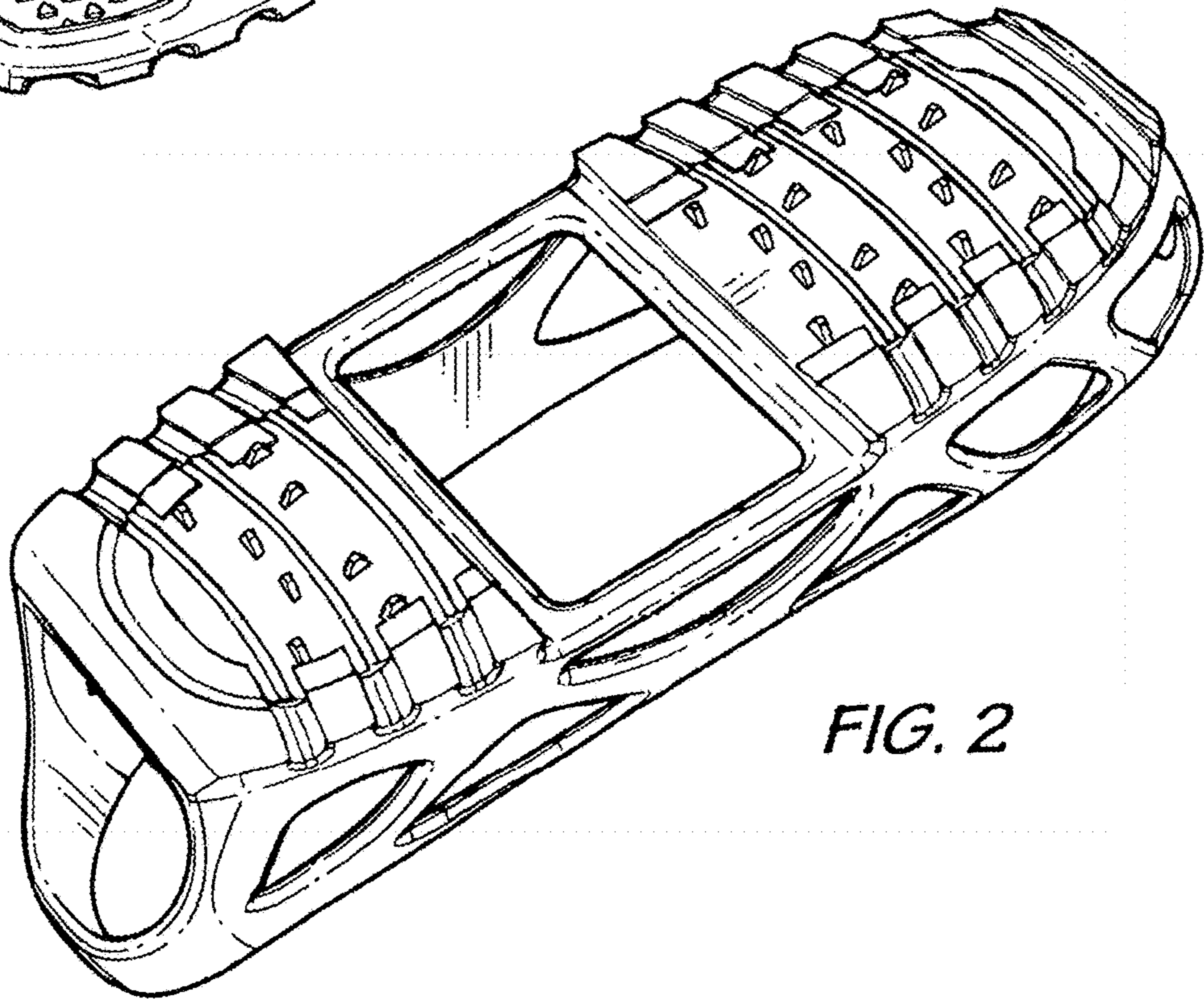


FIG. 2

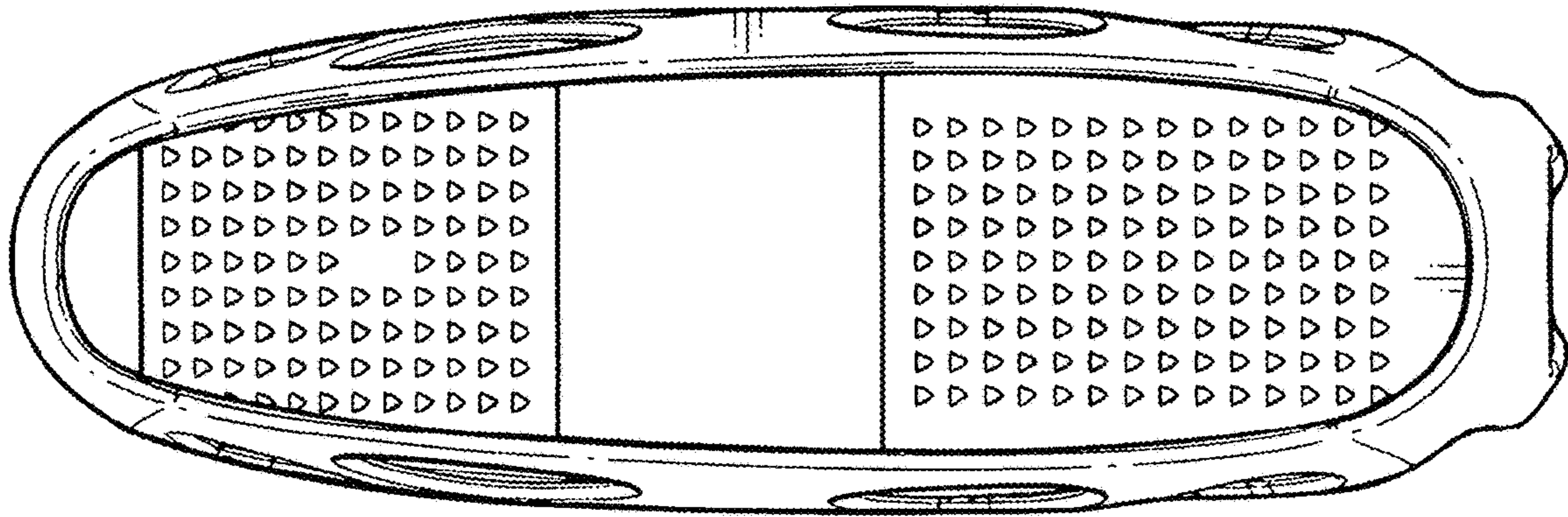


FIG. 3

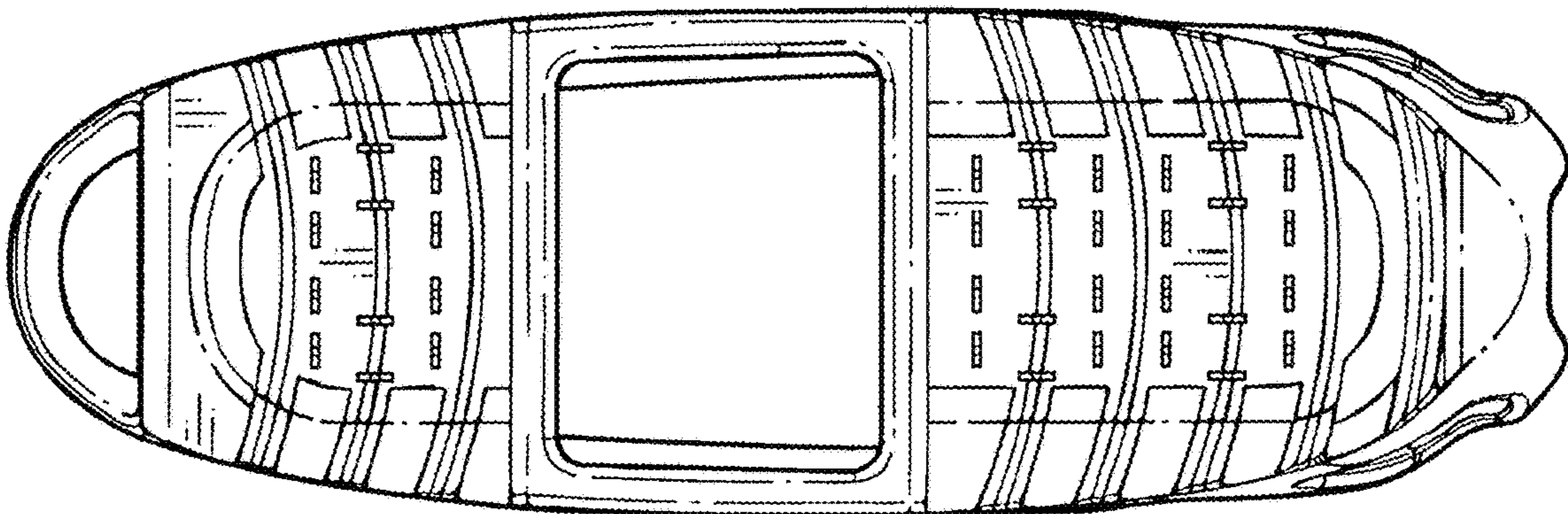


FIG. 4

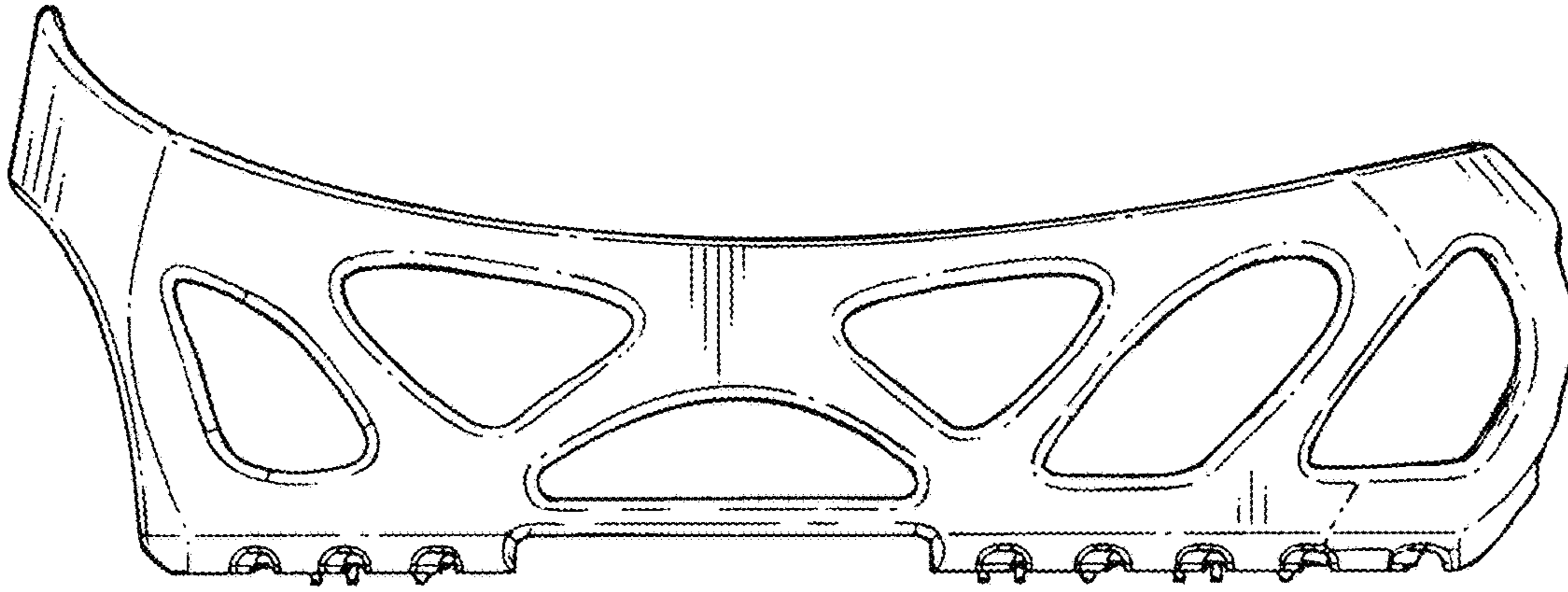


FIG. 5

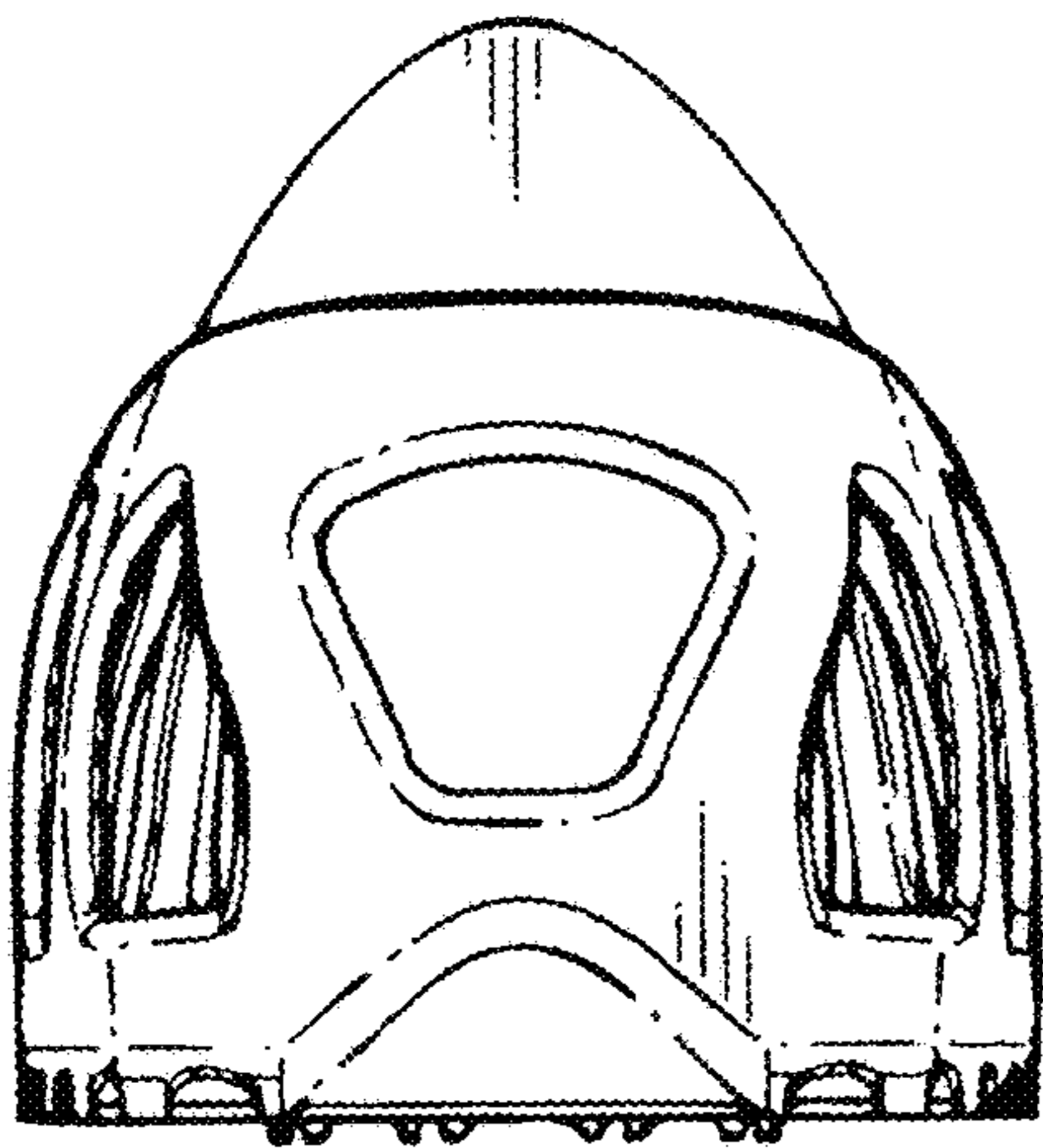


FIG. 6

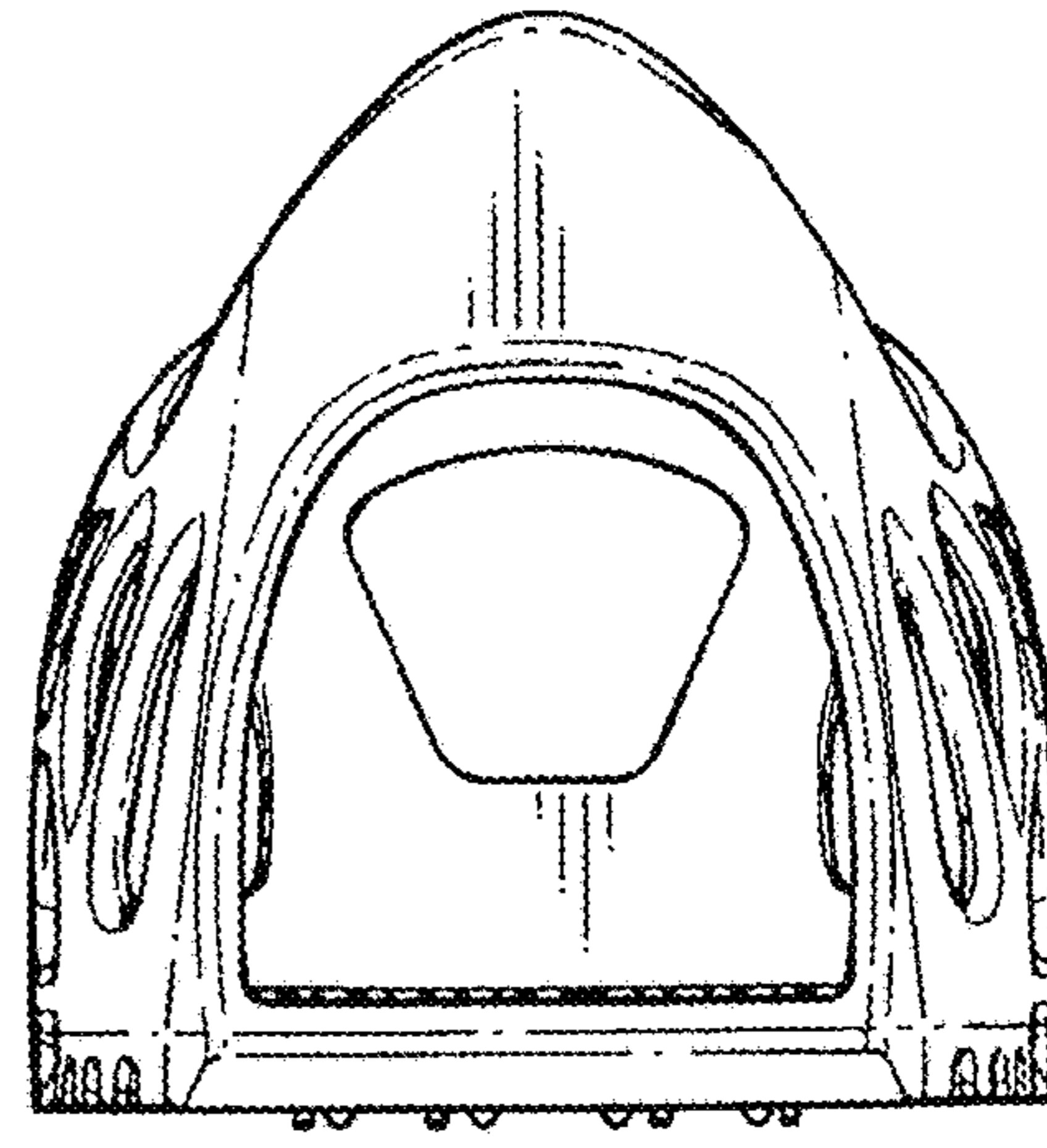


FIG. 7