



US00D869127S

(12) **United States Design Patent** (10) **Patent No.:** **US D869,127 S**
Zakusilo (45) **Date of Patent:** **** Dec. 10, 2019**

(54) **COMBINED BIB AND HIGH CHAIR COVER**

D174,133 S * 3/1955 Persico D2/861
2,738,511 A 3/1956 Brady
2,762,053 A 9/1956 Lipscomb
(Continued)

(71) Applicant: **Rita Zakusilo**, Chicago, IL (US)

(72) Inventor: **Rita Zakusilo**, Chicago, IL (US)

(**) Term: **15 Years**

(21) Appl. No.: **29/631,443**

(22) Filed: **Dec. 29, 2017**

(51) **LOC (12) Cl.** **02-02**

(52) **U.S. Cl.**
USPC **D2/861**

(58) **Field of Classification Search**
USPC D6/333, 601-603, 606, 608, 610-612,
D6/617, 715, 715.1, 715.2, 716.1;
D14/239, 450; D12/401, 416, 425;
D2/841, 860, 861
CPC A47C 27/001; A47C 27/002; A47C 31/10;
A47C 31/105; A47C 31/11; A47C 31/113;
A47C 31/116; A47C 4/28; A47C 7/02;
A47C 7/021; A47C 7/022; A47C 7/386;
A47C 7/42; A47C 7/68; B60N 2/60;
B60N 2/58; B60N 2/585; B60N 2/6009;
B60N 2/6036; B60N 2/663
See application file for complete search history.

FOREIGN PATENT DOCUMENTS

CA 2641845 4/2010
GB 2434299 7/2007

OTHER PUBLICATIONS

YuriBib (@yuribib) Instagram photos and videos May 13, 2017.
Accessed on Sep. 15, 2019. (Year: 2017).*
(Continued)

Primary Examiner — Kevin K Rudzinski
Assistant Examiner — Clare Ann Gannon
(74) *Attorney, Agent, or Firm* — Neal, Gerber &
Eisenberg LLP

(57) **CLAIM**

The ornamental design for a combined bib and high chair cover, as shown and described.

DESCRIPTION

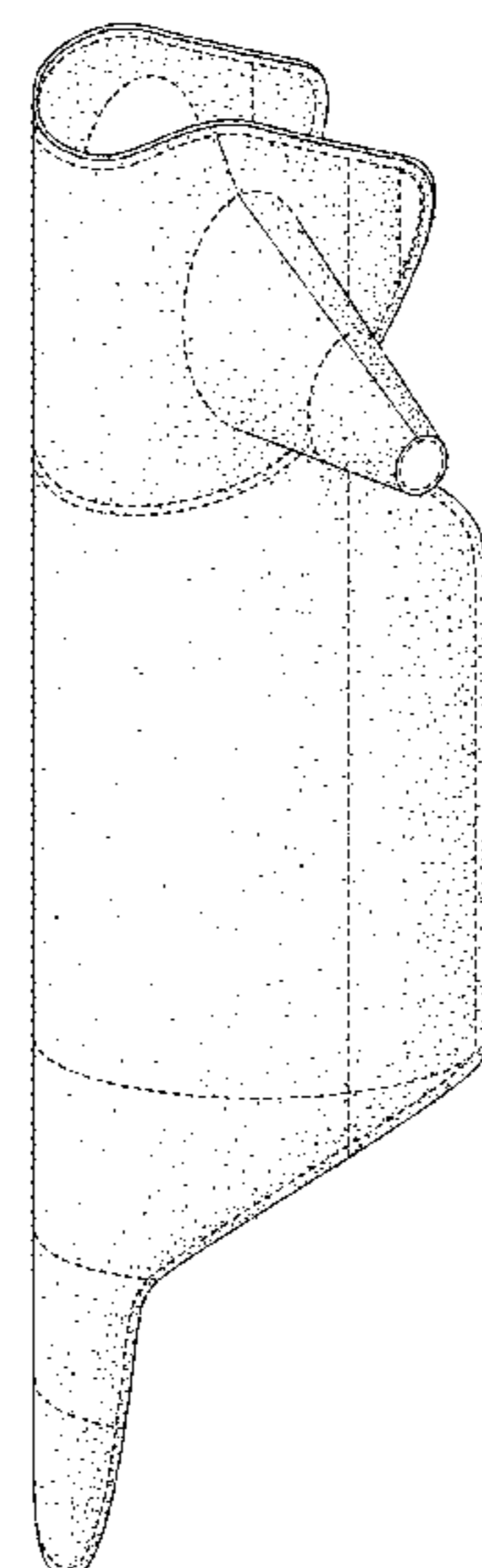
FIG. 1 is a perspective view of the combined bib and high chair cover, shown in a partially open configuration; FIG. 2 is a front elevation view thereof; FIG. 3 is a rear elevation view thereof, shown in a partially closed configuration; FIG. 4 is a left side elevation view thereof, shown in the partially open configuration of FIG. 1; FIG. 5 is a right side elevation view thereof; FIG. 6 is a bottom plan view thereof; FIG. 7 is a top plan view thereof; FIG. 8 is a front elevation view of the bib and high chair cover, shown in a partially flattened configuration; and, FIG. 9 is a rear elevation view thereof. The broken lines in the drawings illustrate the portions of the article that form no part of the claim.

(56) **References Cited**

U.S. PATENT DOCUMENTS

884,063 A * 4/1908 Baldwin A41D 13/04
2/51
D59,555 S * 11/1921 Ladd D2/861
1,933,185 A * 10/1933 Rouleau A41D 13/04
2/48
D94,343 S * 1/1935 Eidinger D2/861
2,362,465 A 11/1941 Carner
2,457,725 A 12/1948 Rhowmine
2,532,932 A 12/1950 Neiswander
D170,896 S * 11/1953 Warren D2/861
2,680,850 A * 6/1954 Renard A41D 1/22
2/74

1 Claim, 9 Drawing Sheets



(56)

References Cited

U.S. PATENT DOCUMENTS

2,766,455 A 10/1956 Klaine
 2,767,403 A 10/1956 Givens
 D351,712 S * 10/1994 Jackson D2/720
 D356,204 S * 3/1995 Derrickson D2/720
 5,457,820 A 10/1995 Yielding
 D389,290 S * 1/1998 James D2/860
 D419,748 S * 2/2000 Sartori D2/720
 6,081,923 A 7/2000 Marks
 D434,205 S 11/2000 Kapszukiewicz
 D444,983 S * 7/2001 Norman D6/611
 D456,117 S * 4/2002 Henning, Jr. D2/860
 6,540,302 B1 * 4/2003 Crocker A47C 7/42
 297/181
 D563,684 S * 3/2008 Starck D6/333
 7,716,749 B2 5/2010 Perazzo
 D640,449 S * 6/2011 Roach A41D 1/22
 D2/861
 D648,509 S 11/2011 Hansen et al.
 D653,019 S * 1/2012 Bond D2/850
 8,151,370 B2 4/2012 Perazzo
 D737,546 S * 9/2015 Sewall A41D 13/04
 D2/861

D741,044 S * 10/2015 Pasko D2/720
 D800,481 S * 10/2017 Craddock A41D 13/04
 D6/611
 2013/0161984 A1 6/2013 Yaghmai et al.
 2013/0191960 A1* 8/2013 Pasko A41D 13/12
 2/114

OTHER PUBLICATIONS

Amazon.com, Babybjorn Soft Bib, retrieved on Dec. 29, 2017 from <https://www.amazon.com/BabyBj%C3%B6rn-046062USBABYBJORN-Soft-Bib/dp/B000BFP0HC?th=1>.
 Be-Baby Ltd, Tidy Tot, retrieved on Dec. 29, 2017 from <https://tidytot.co.uk/>.
 Amazon.com, BIB-ON, retrieved on Dec. 29, 2017 from <https://www.amazon.com/BIB-Full-Coverage-Combination-Toddler-Chevron/dp/B00Y6SALEMth=1>.
 Amazon.co.uk, Ickypal Highchair Cover Bib, Jun. 13, 2012, retrieved on Dec. 29, 2017 from <https://www.amazon.co.uk/Ickypal-Highchair-Cover-Bib-Pink/dp/B008B6VFYU>.
 BIBaDO Ltd, BIBaDO, retrieved on Dec. 29, 2017 from <https://www.bibado.co.uk/>.

* cited by examiner

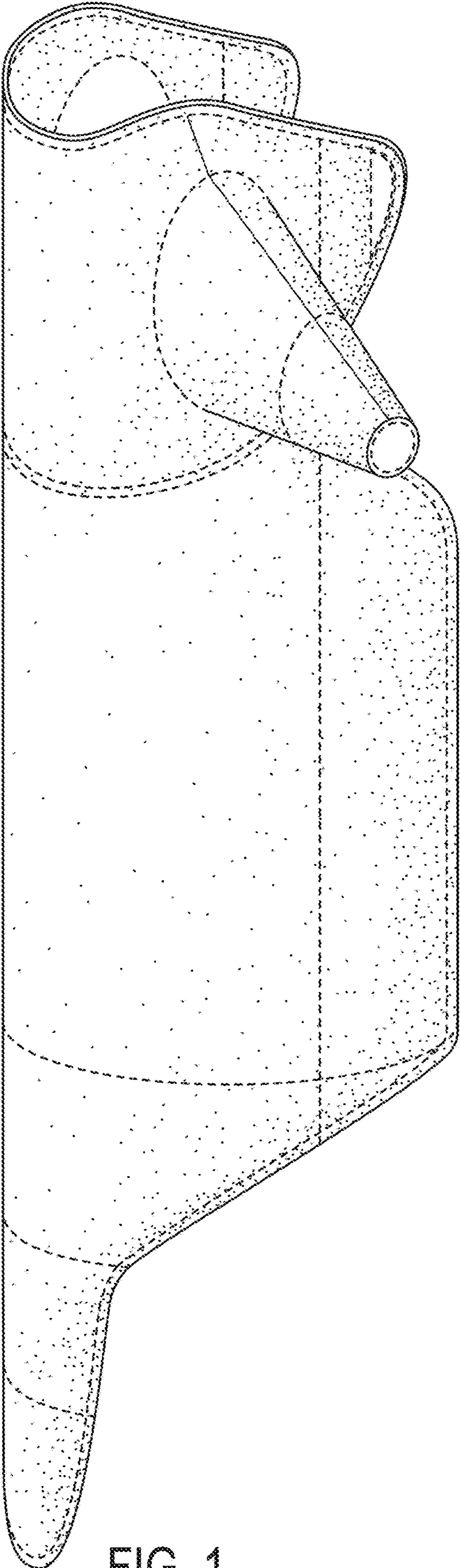


FIG. 1

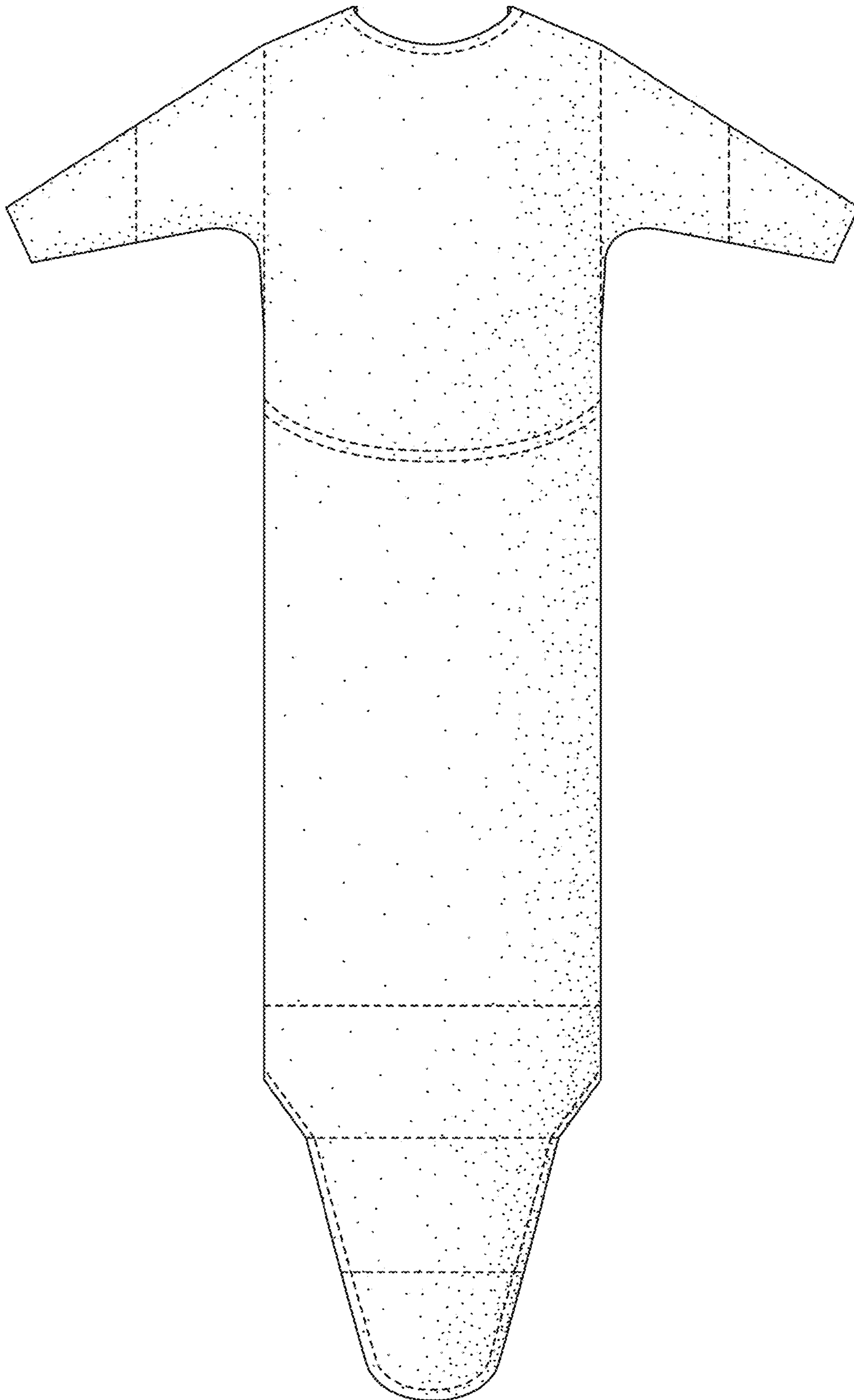


FIG. 2

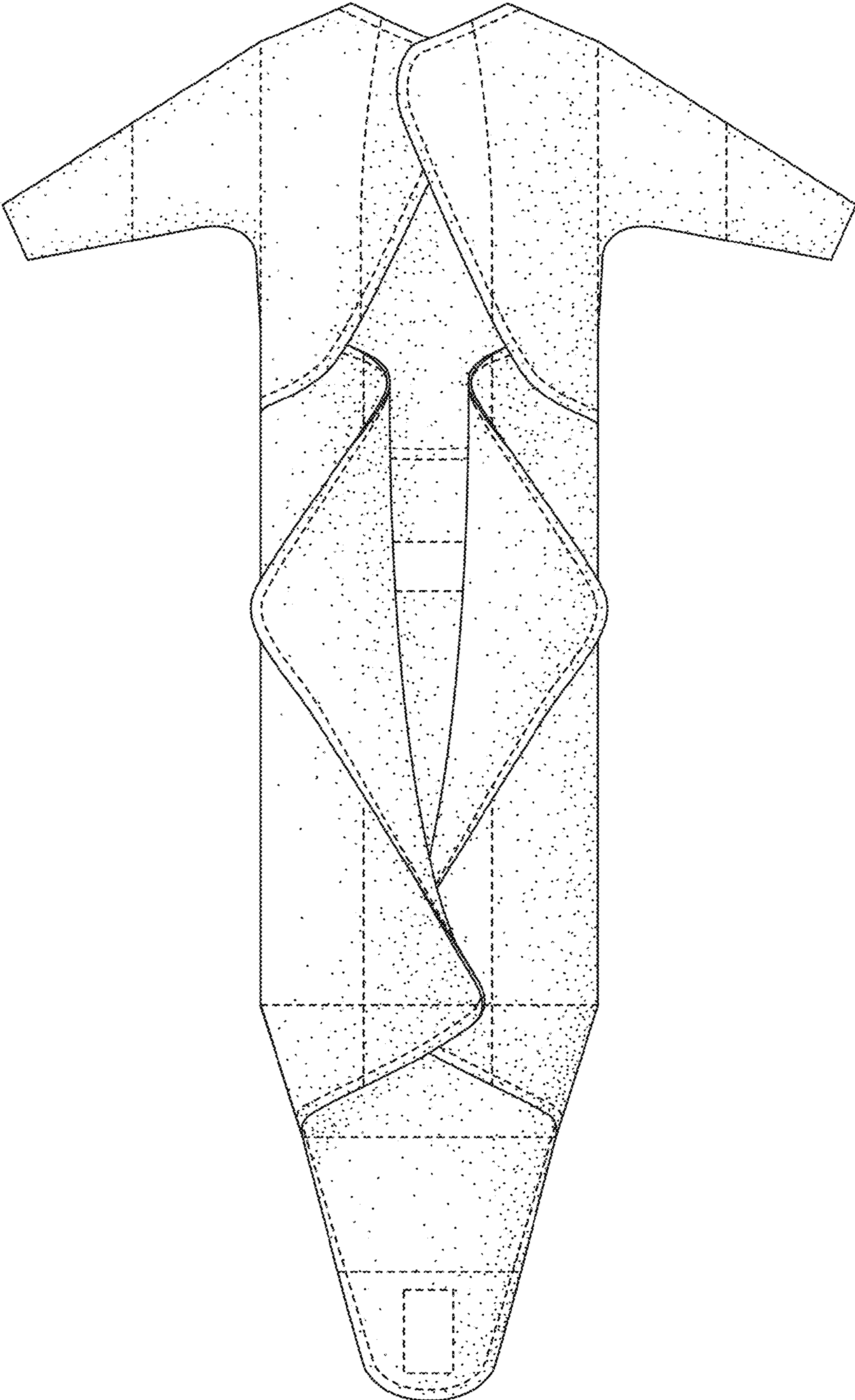


FIG. 3

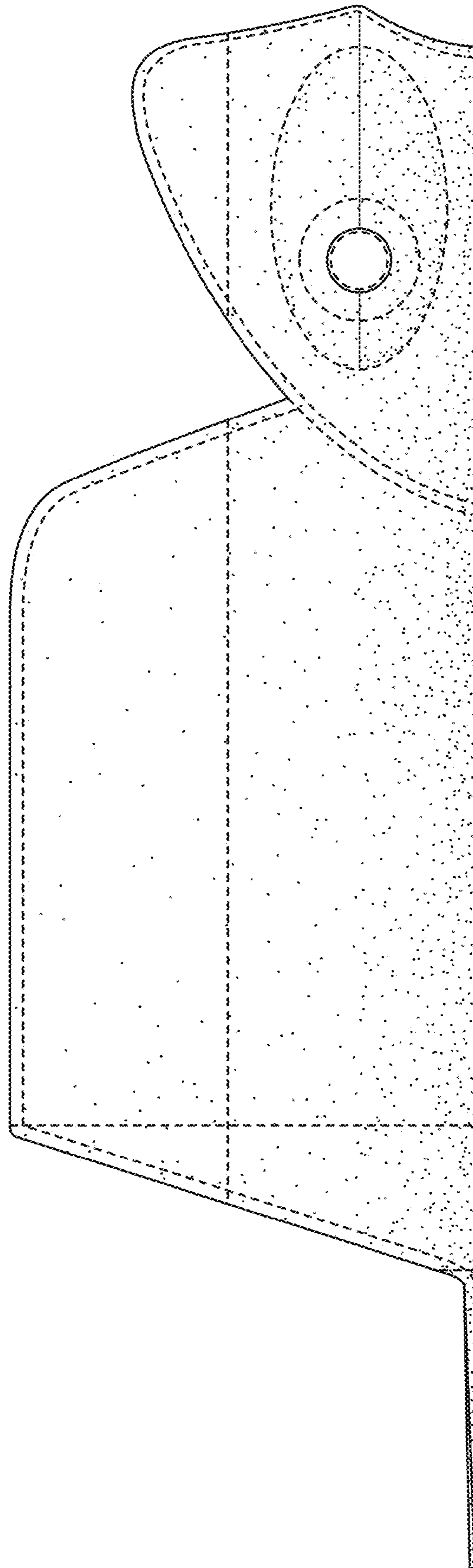


FIG. 4

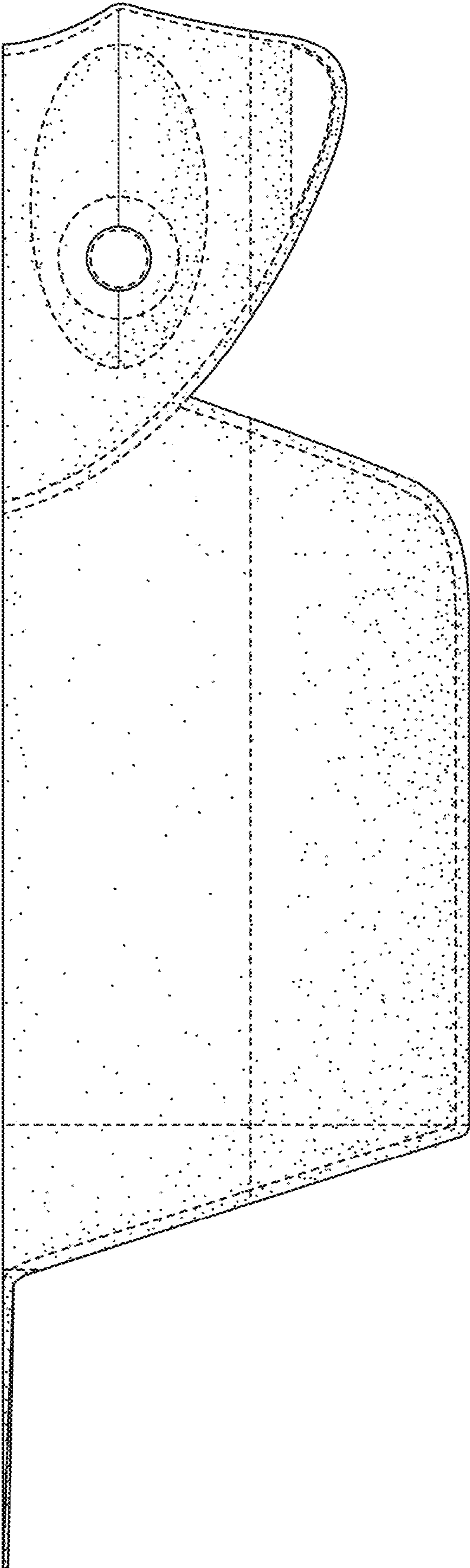


FIG. 5

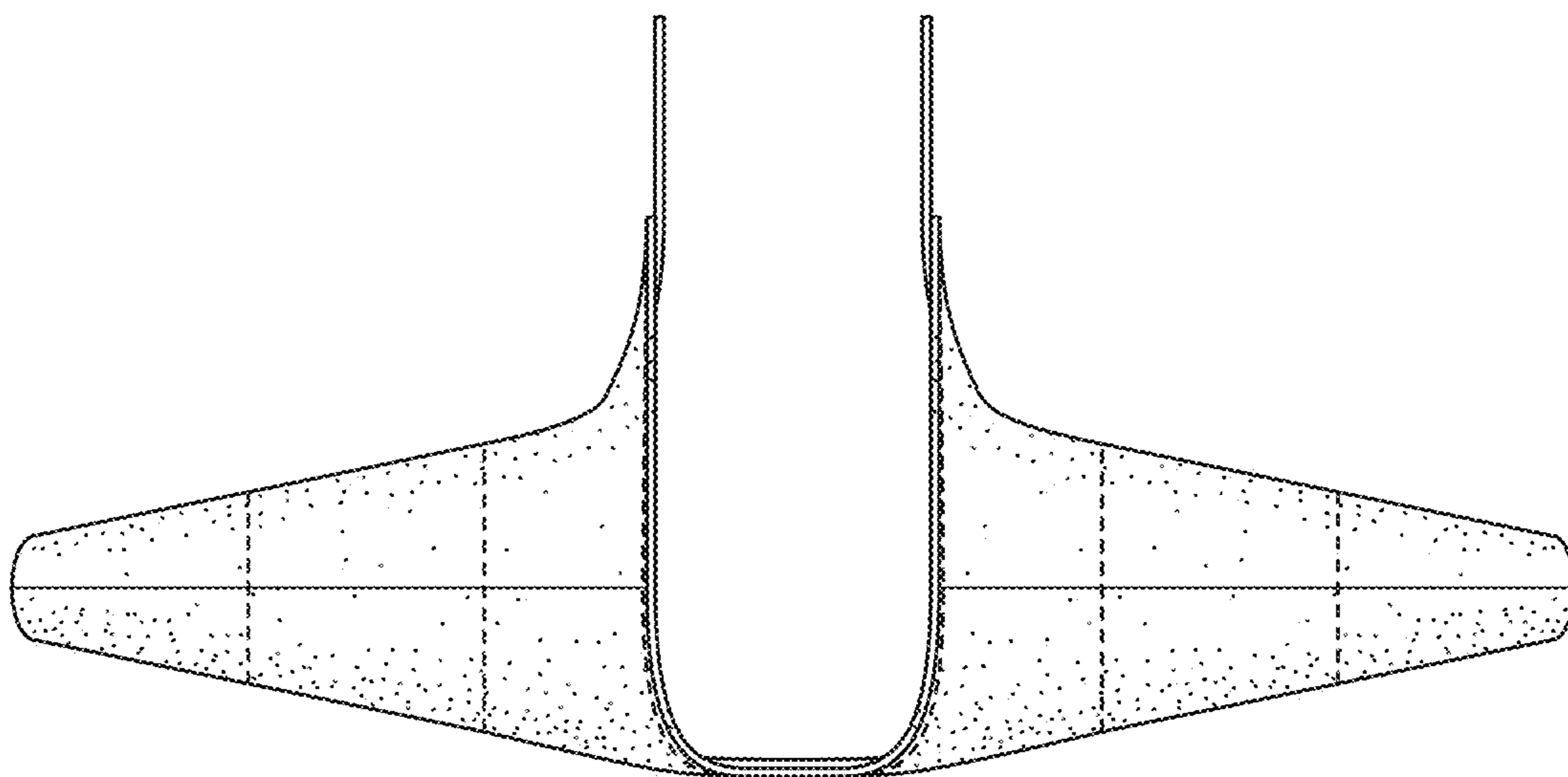


FIG. 6

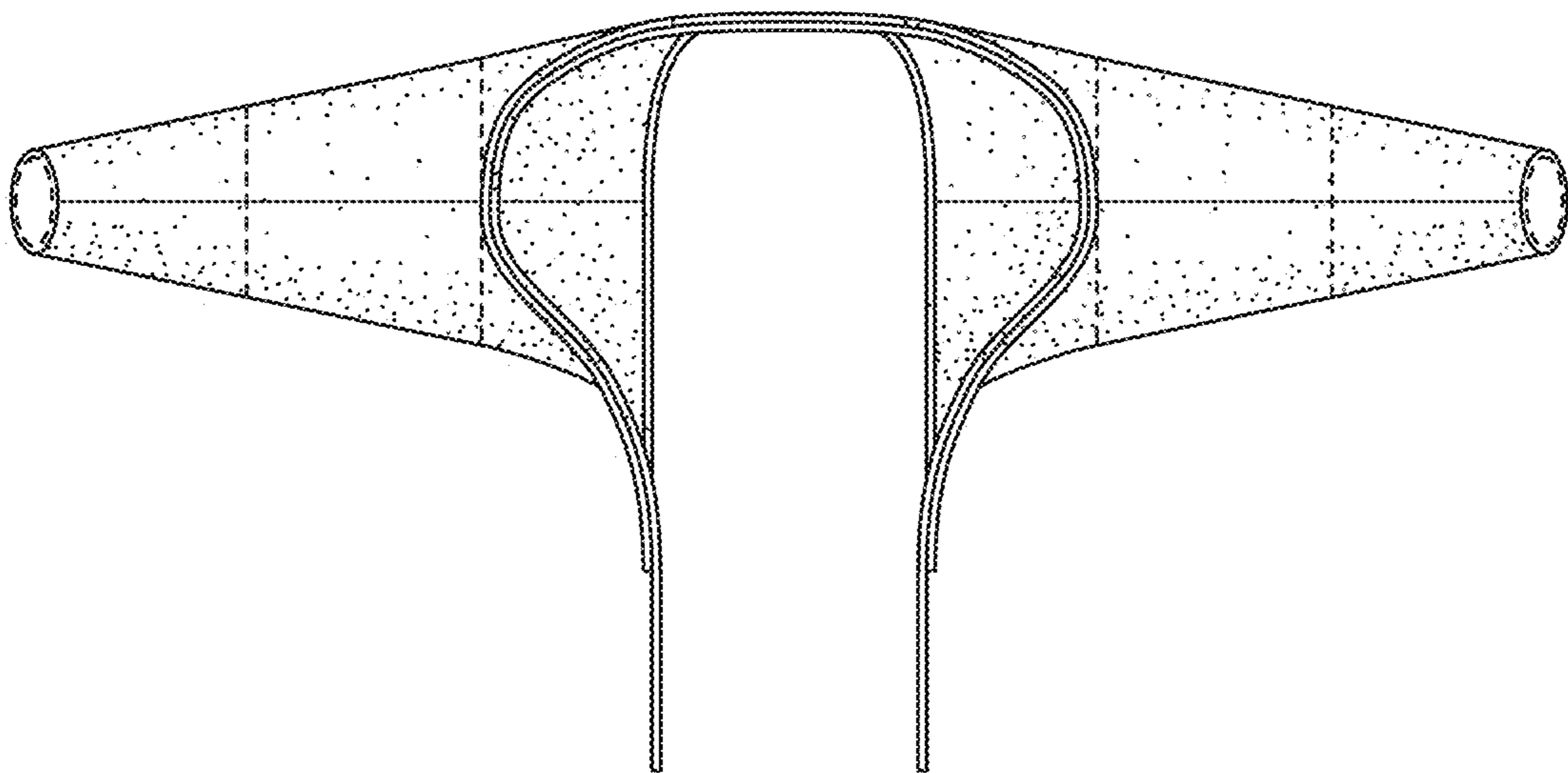


FIG. 7

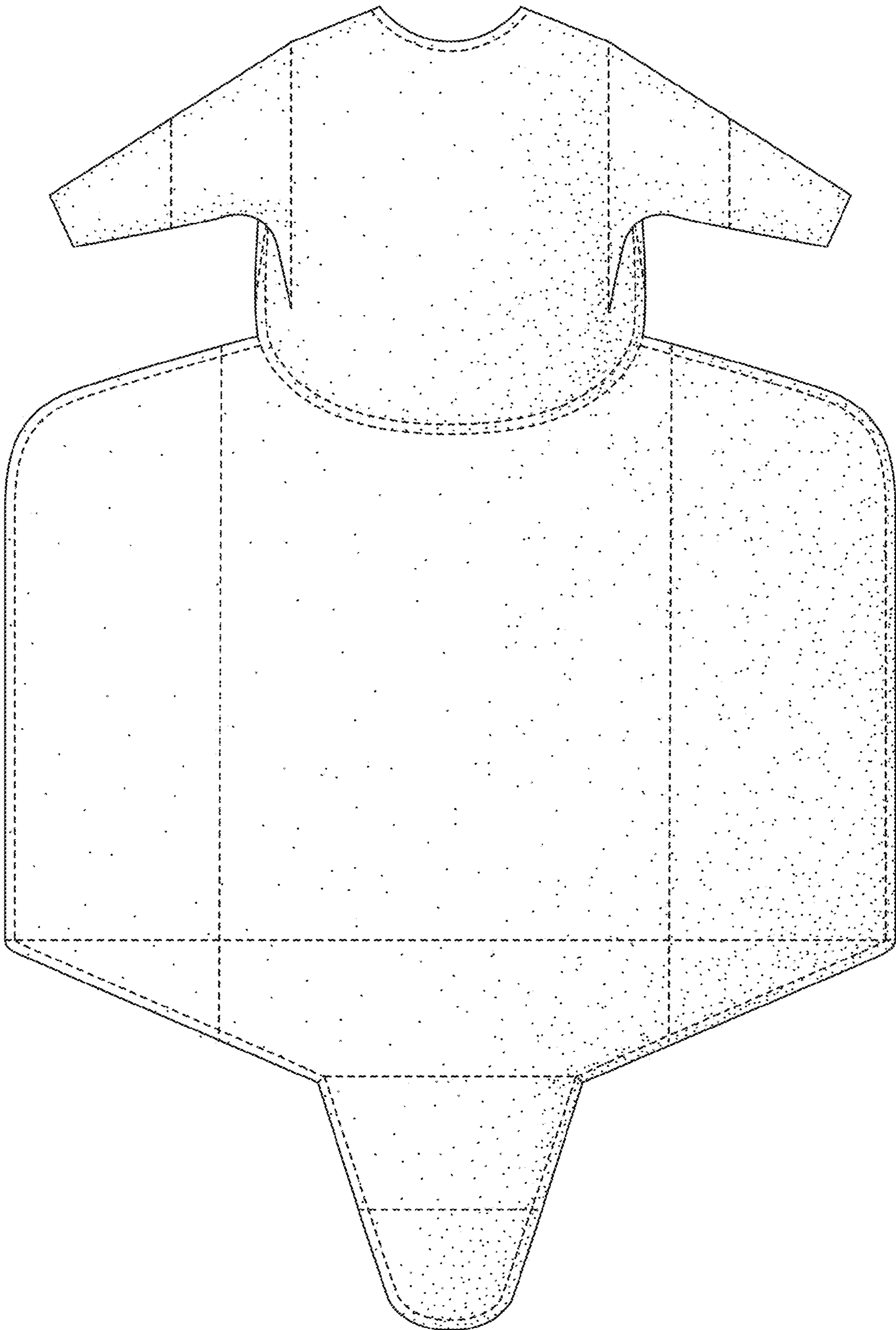


FIG. 8

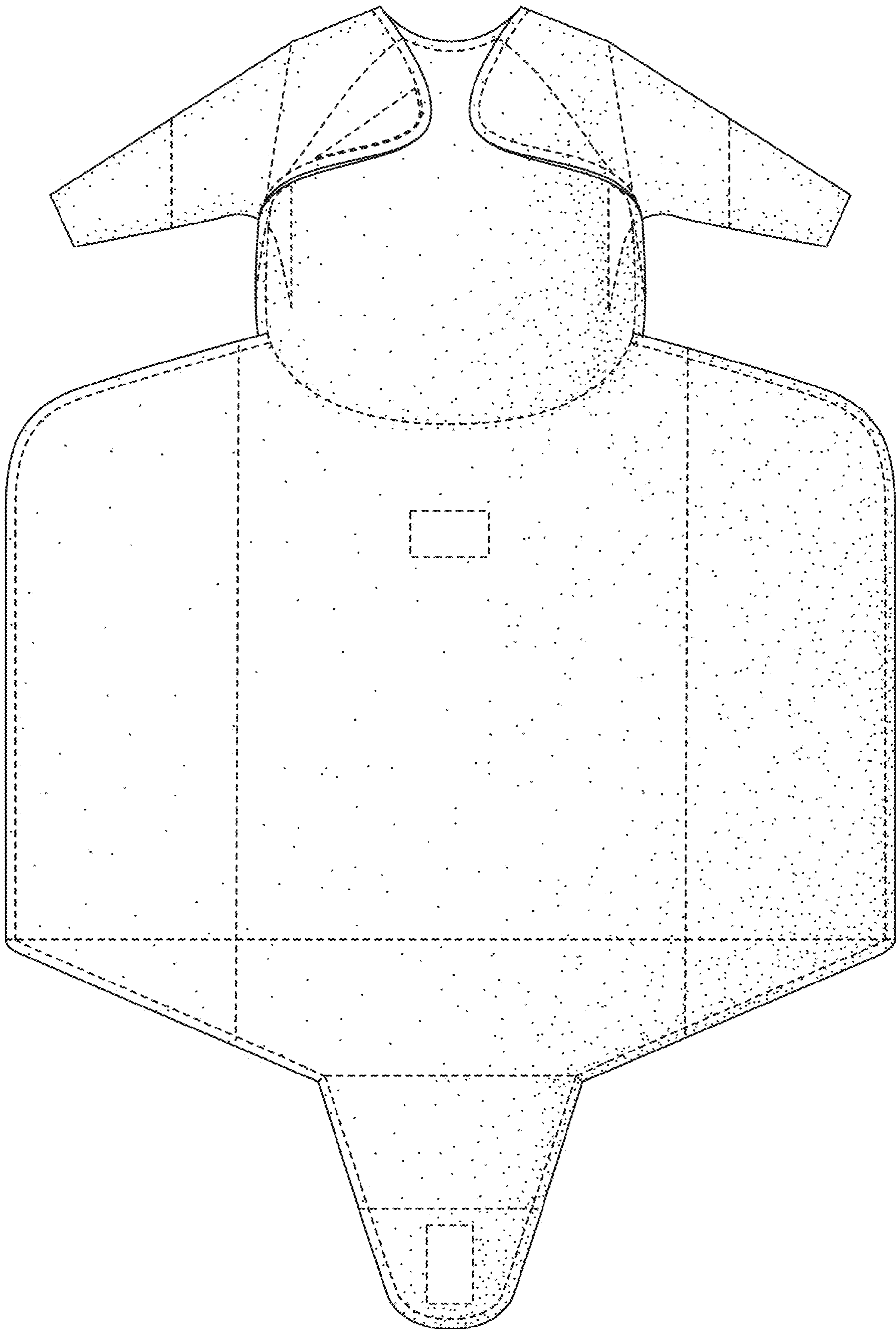


FIG. 9