



US00D869117S

(12) **United States Design Patent** (10) **Patent No.:** **US D869,117 S**
Cody et al. (45) **Date of Patent:** **** Dec. 10, 2019**

(54) **BUTTER STICK**

(71) Applicant: **LAND O'LAKES, INC.**, Arden Hills, MN (US)

(72) Inventors: **Sharon K. Cody**, Maple Grove, MN (US); **Joseph V. Burger**, Apple Valley, MN (US); **Jonathan Anderson**, Minneapolis, MN (US); **Lisa Ryan**, Lakeville, MN (US)

(73) Assignee: **Land O'Lakes, Inc.**, Arden Hills, MN (US)

(**) Term: **15 Years**

(21) Appl. No.: **29/660,656**

(22) Filed: **Aug. 22, 2018**

(51) **LOC (12) Cl.** **01-01**

(52) **U.S. Cl.**
USPC **D1/100**

(58) **Field of Classification Search**
USPC D1/100-130, 199; 426/104, 108, 138, 426/391, 549, 808, 94, 143, 559, 560;
(Continued)

(56) **References Cited**

U.S. PATENT DOCUMENTS

44,342 A * 9/1864 Sawyer C10F 7/06
44/491
147,877 A 2/1874 Spratt
(Continued)

FOREIGN PATENT DOCUMENTS

FR 2690310 A1 10/1993
GB 190609218 A 6/1907
GB 514618 A 11/1939

OTHER PUBLICATIONS

Adekola, Kehinde A., "Influence of Food Extruder Die Dimensions on Extruded Products Expansion", Journal of Advances in Agricul-

tural Science and Technology; <<http://watchpub.org/jaast/issues/2014/october/pdf/Adekola.pdf>>, Oct. 29, 2014, pp. 052-058.

(Continued)

Primary Examiner — Katie Jane Stofko

(74) *Attorney, Agent, or Firm* — Dorsey & Whitney LLP

(57) **CLAIM**

The ornamental design for a butter stick, as shown and described.

DESCRIPTION

FIG. 1 is an illustration of an isometric view of a first embodiment of a butter stick;

FIG. 2 is an illustration of a top view of the butter stick of FIG. 1, with the bottom view being a mirror image thereof;

FIG. 3 is an illustration of a front view of the butter stick of FIG. 1, with the back view being a mirror image thereof;

FIG. 4 is an illustration of a right side view of the butter stick of FIG. 1, with the left side view being a mirror image thereof;

FIG. 5 is an illustration of an isometric view of a second embodiment of a butter stick;

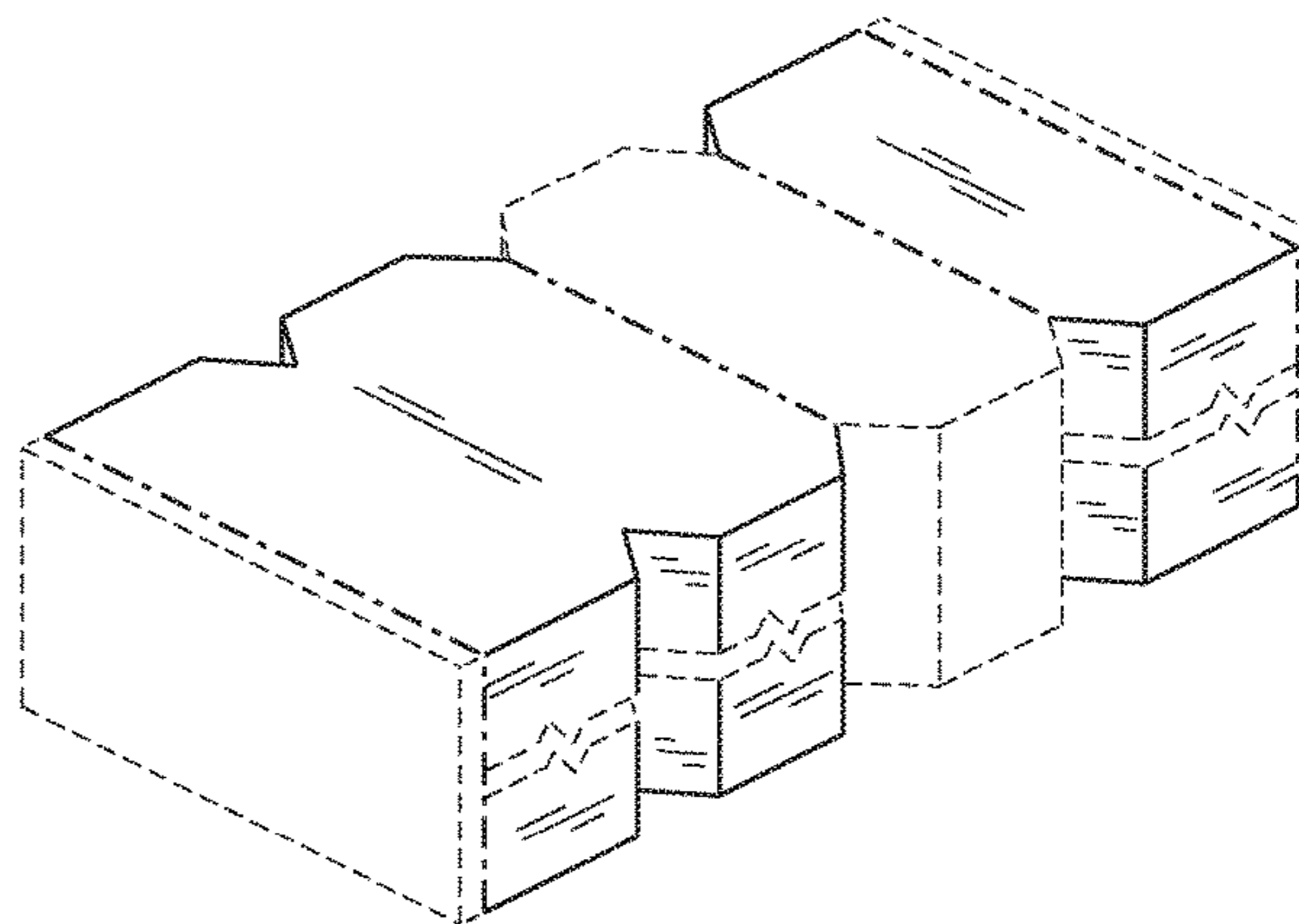
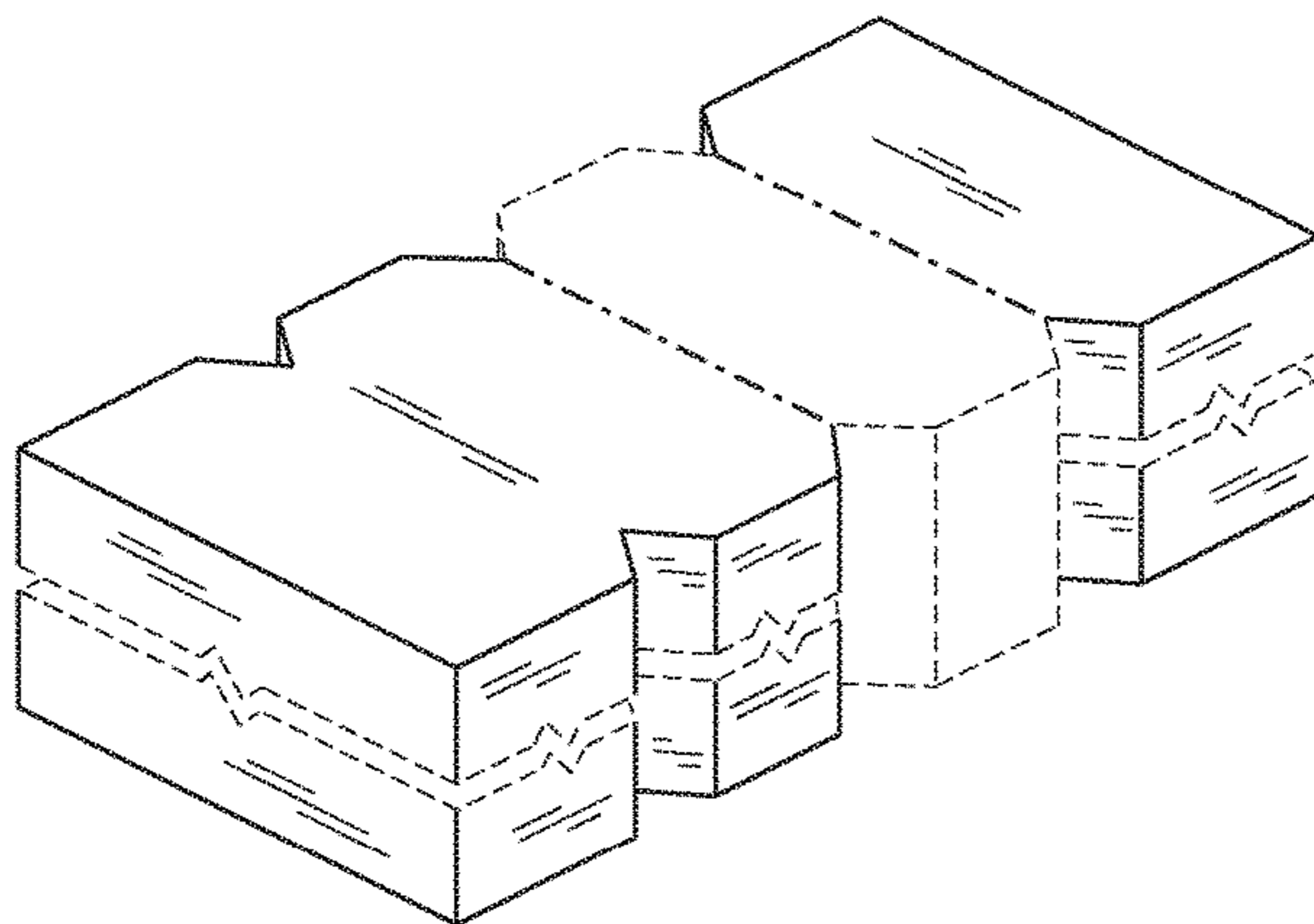
FIG. 6 is an illustration of a top view of the butter stick of FIG. 5, with the bottom view being a mirror image thereof;

FIG. 7 is an illustration of a front view of the butter stick of FIG. 5, with the back view being a mirror image thereof; and,

FIG. 8 is an illustration of a right side view of the butter stick of FIG. 5, with the left side view being a mirror image thereof.

The unshaded areas shown in evenly-dashed broken lines in the drawings illustrate the portions of the butter stick that form no part of the claim. The dot-dash broken lines at the breaks illustrated in the butter stick sidewalls, end walls and top surface define the bounds of the claim, forming no part thereof. Any portion of the article between those breaks forms no part of the claimed design.

1 Claim, 4 Drawing Sheets



(58) **Field of Classification Search**

USPC D24/101-104; D28/8.1, 8.2, 63; D6/601;
 D32/40, 43; D9/707, 756; D30/160;
 D18/56; D25/113, 115; D23/366;
 D7/502
 CPC A23G 3/50; A23G 3/54; A23J 3/26; A23L
 1/0067; B41J 2/17593
 See application file for complete search history.

(56) **References Cited**

U.S. PATENT DOCUMENTS

547,721	A *	10/1895	Hazel	52/437
1,807,458	A	5/1931	Weland	
1,855,145	A *	4/1932	Bartlett	A23G 3/50 426/87
1,855,987	A	4/1932	Rammer	
D99,590	S *	5/1936	Torongo	D1/100
D103,190	S *	2/1937	Stanley	D28/8.1
D127,285	S *	5/1941	Siemund	D1/121
D131,278	S	2/1942	Voorhis	
2,481,691	A	9/1949	Schaub	
3,017,275	A	1/1962	Coulter	
D206,036	S *	10/1966	Meeker	D28/8.1
D206,429	S *	12/1966	Eckelman	D1/121
3,324,551	A	6/1967	Reinhold et al.	
3,410,699	A	11/1968	Leo	
D213,074	S	12/1968	Griffith et al.	
D224,077	S *	7/1972	Duvall	D1/199
D239,215	S	3/1976	Miller	
4,215,104	A *	7/1980	Ullman	A61K 9/2072 424/467
4,353,887	A	10/1982	Hess et al.	

D310,130	S *	8/1990	van Kooten	D1/100
D320,494	S	10/1991	Cederroth et al.	
D375,181	S	11/1996	Tourney et al.	
D485,942	S	1/2004	McLeish	
D540,182	S	4/2007	Weaver	
D551,825	S	9/2007	Nutting	
D639,929	S *	6/2011	Barford	D23/422
D666,286	S	8/2012	Chery	
D742,497	S	11/2015	D'Amico et al.	
D762,294	S *	7/2016	Hanna	D23/366
D785,466	S	5/2017	Son et al.	
D793,868	S	8/2017	Kim et al.	
D801,623	S	11/2017	Wang	
D813,321	S	3/2018	Zaki	
2003/0126831	A1	7/2003	Altwater et al.	
2005/0123663	A1	6/2005	White et al.	
2009/0190866	A1	7/2009	Hughes	
2012/0294663	A1	11/2012	Papavero et al.	
2017/0238572	A1	8/2017	Danenberg et al.	

OTHER PUBLICATIONS

Japan, "Butter Stick", accessed Jun. 28, 2018, 1 page.
 Krause, A. J. et al., "The Effect of Refrigerated and Frozen Storage on Butter Flavor and Texture", J. Dairy Sci. vol. 91 No. 2, 2008, pp. 455-465.
 Quora, "What is the Standard Weight of a Stick of Butter in the United States?", <<https://www.quora.com/What-is-the-standard-weight-of-a-stick-of-butter-in-the-United-States>>, Jun. 11, 2012, 4 pages.
 SPX, "Cold Extrusion of Butter", Gerstenberg Schroder; <http://www.spxflow.com/en/assets/pdf/GS_cold_extrusion_of_butter_07_12_gb.pdf>, Jul. 2012, 2 pages.

* cited by examiner

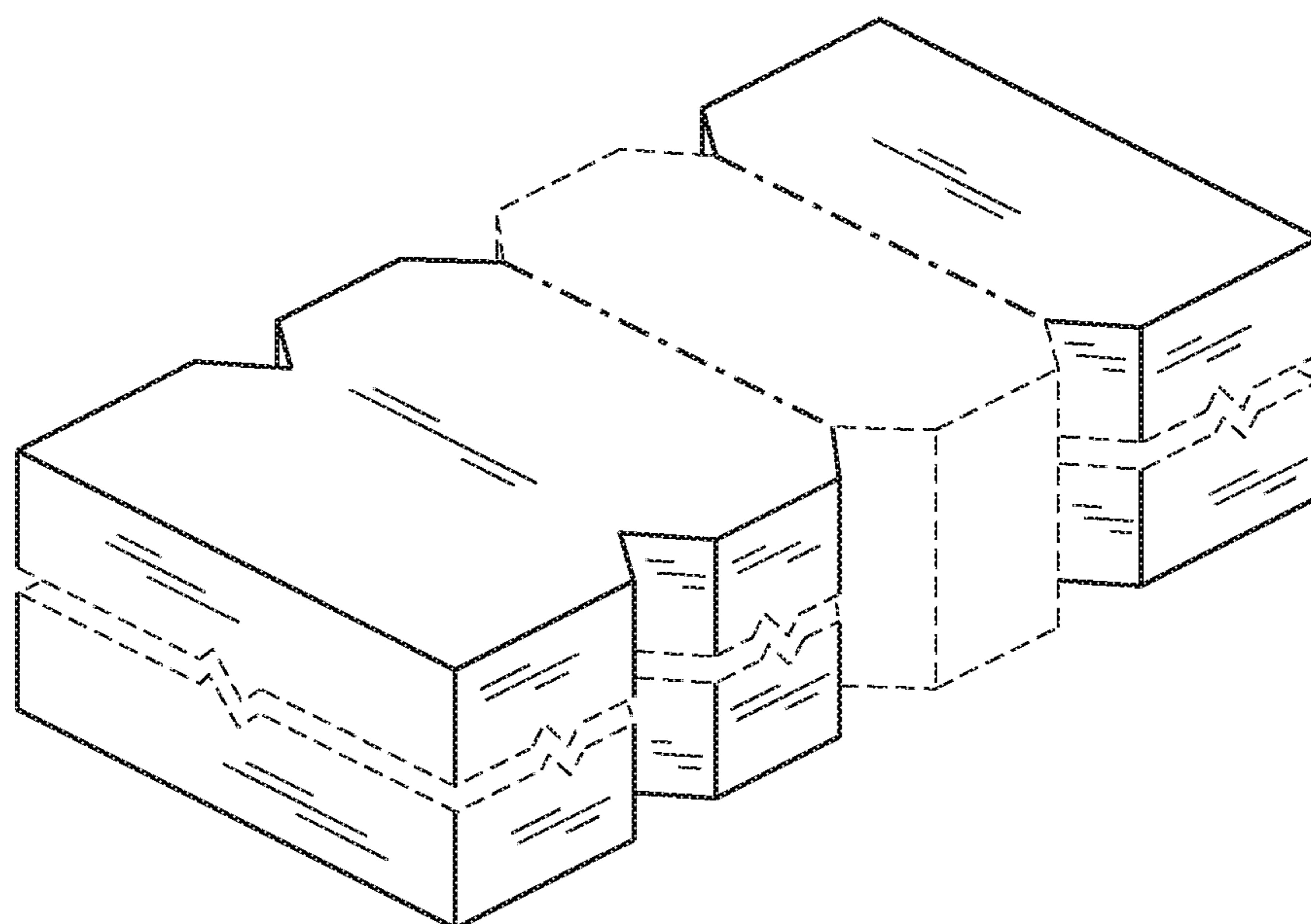


FIG. 1

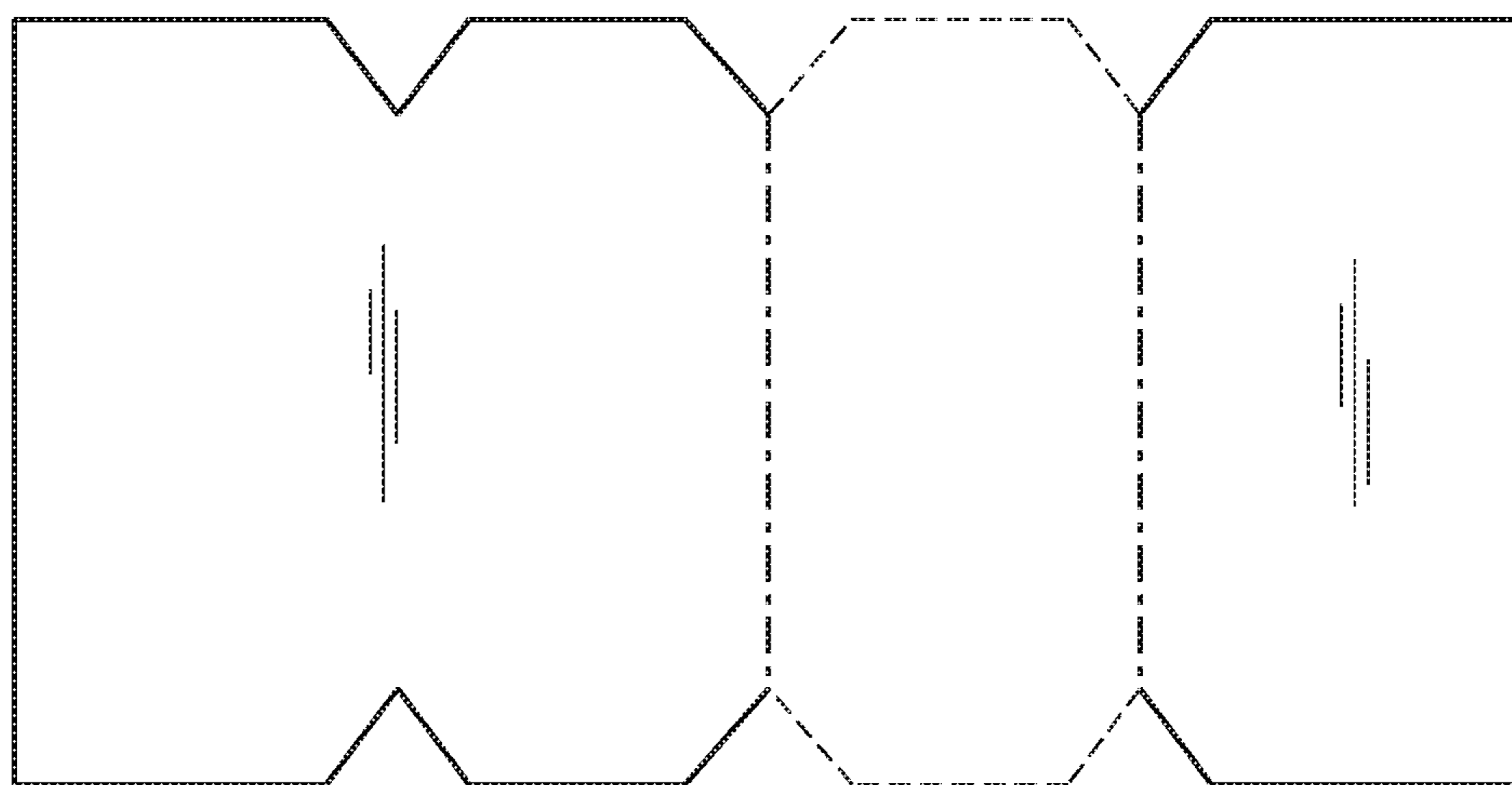


FIG. 2

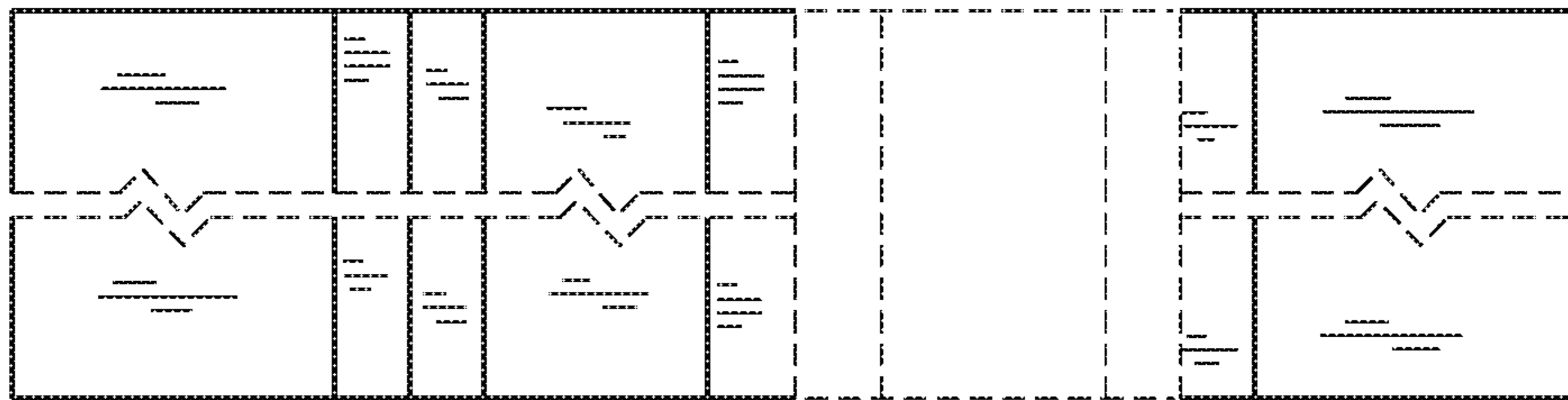


FIG. 3

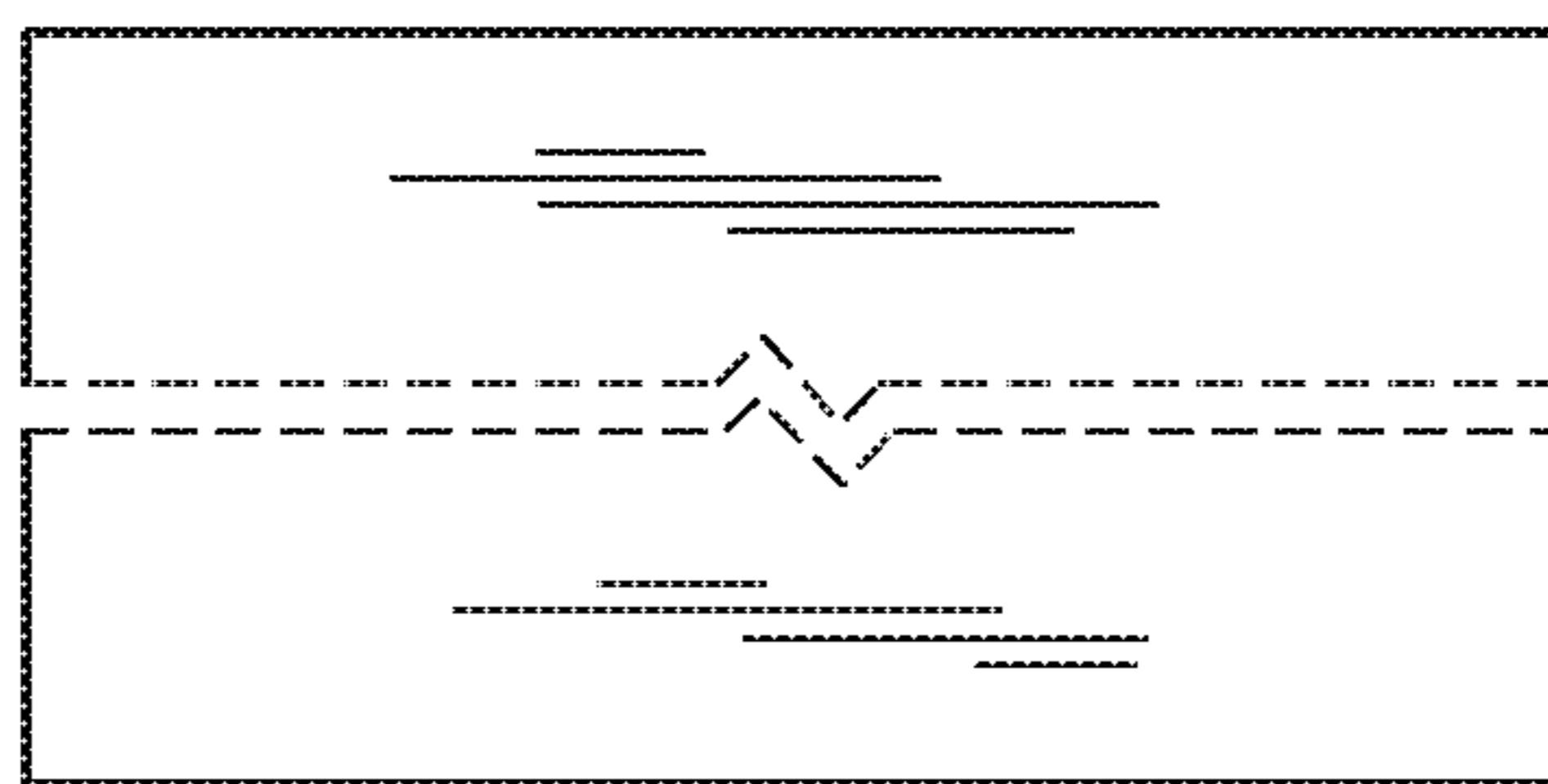


FIG. 4

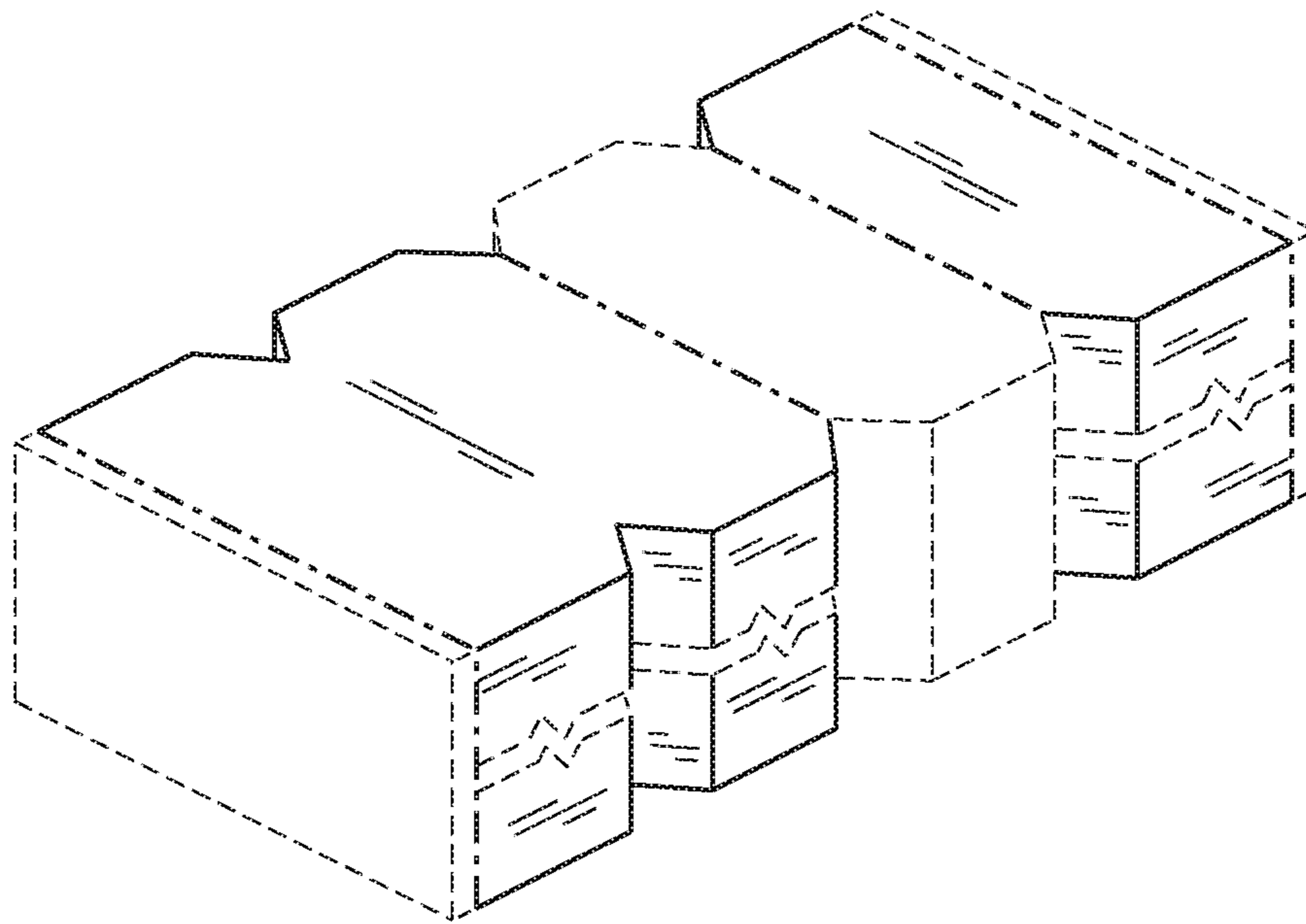


FIG. 5

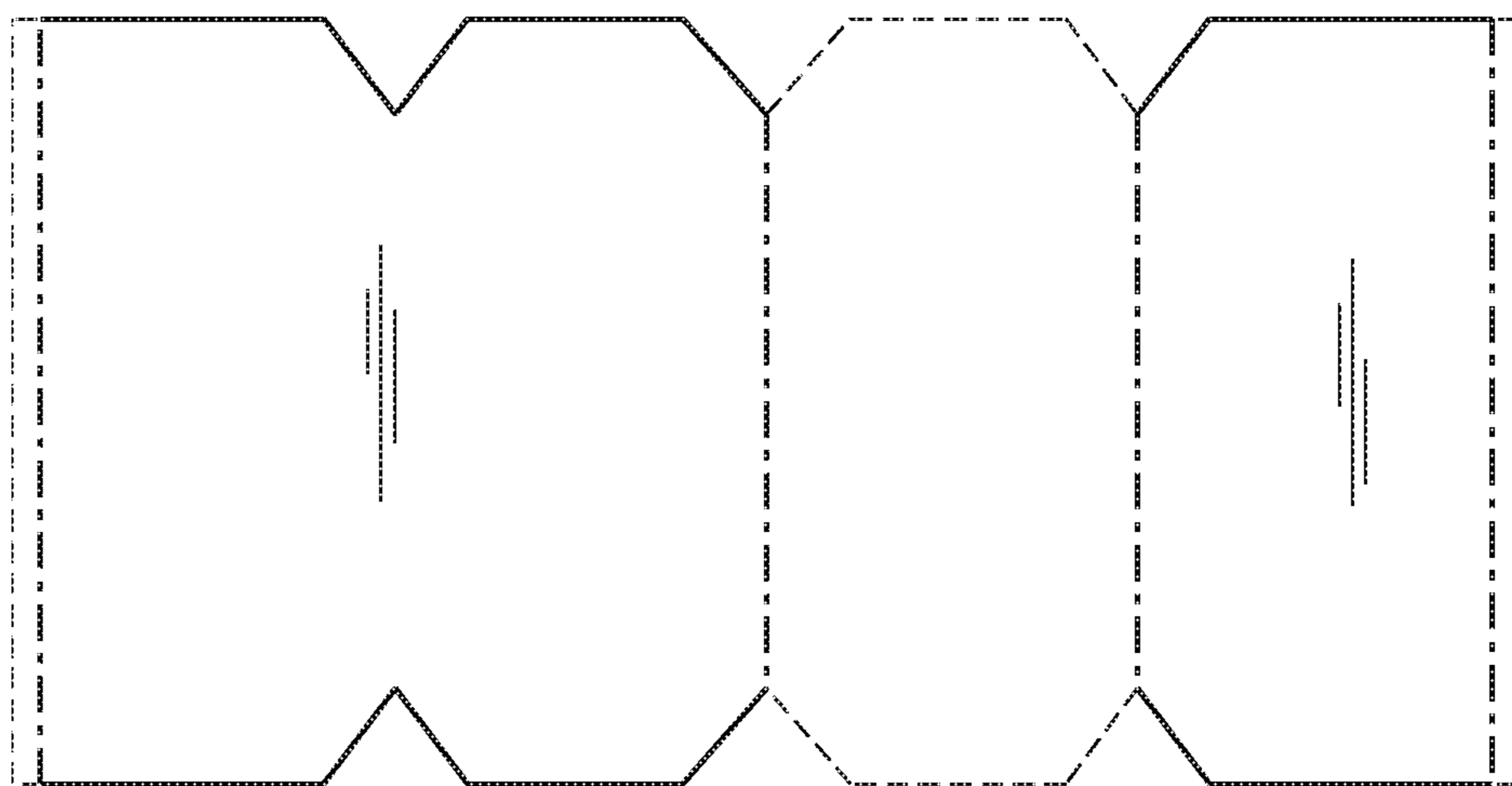


FIG. 6

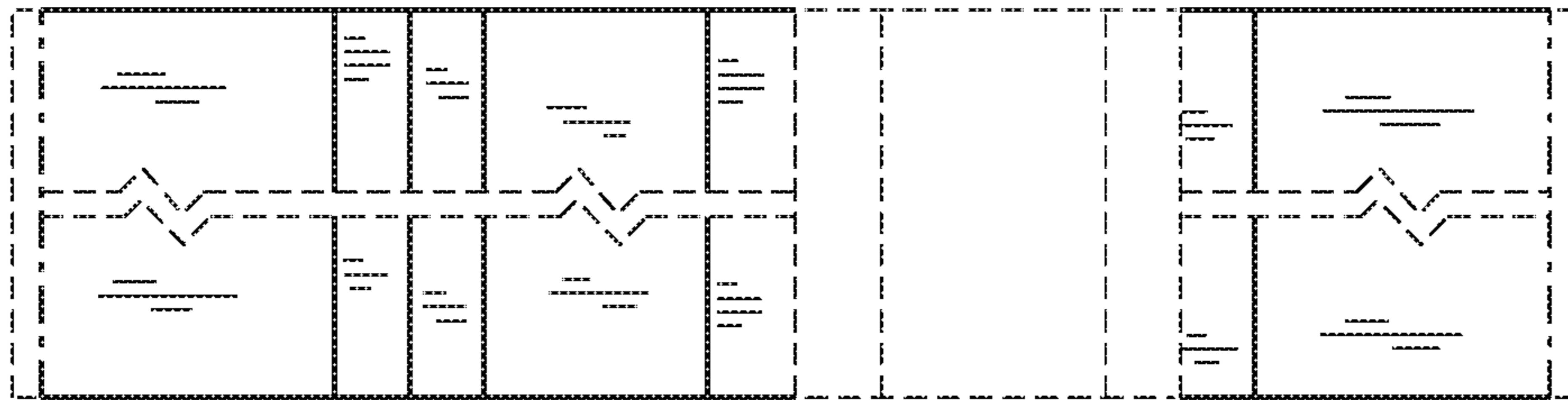


FIG. 7



FIG. 8