



US00D869114S

(12) **United States Design Patent** (10) **Patent No.:** **US D869,114 S**
Millar et al. (45) **Date of Patent:** **** Dec. 3, 2019**

(54) **CART**
(71) Applicant: **Grow Solutions Tech LLC**, Vineyard, UT (US)
(72) Inventors: **Gary Bret Millar**, Highland, UT (US); **Mark Gerald Stott**, Eagle Mountain, UT (US); **Todd Garrett Tueller**, American Fork, UT (US); **Michael Stephen Hurst**, Farmington, UT (US); **Alan Ray Bentley**, Alpine, UT (US); **Taylor John Woodbury**, Provo, UT (US); **Shane York**, Morgan, UT (US)

4,720,115 A * 1/1988 Rehrig B60B 33/0002 D34/23
D298,374 S * 11/1988 Hamrick D34/23
D317,769 S * 6/1991 Vining et al.
D320,484 S * 10/1991 Wallin D34/23
D327,351 S * 6/1992 Dallas D34/12
D333,899 S * 3/1993 Caceres
D337,410 S * 7/1993 Jones D34/28
D340,562 S * 10/1993 Kean D34/23
D346,252 S * 4/1994 Jones D34/23
D351,707 S * 10/1994 Pill D34/12
D361,421 S * 8/1995 Garoutte D34/23
D370,757 S * 6/1996 Loftus D34/23

(Continued)

(73) Assignee: **Grow Solutions Tech LLC**, Vineyard, UT (US)
(**) Term: **15 Years**

FOREIGN PATENT DOCUMENTS

CN 302009642 7/2012
EM 001815200 2/2011

(Continued)

(21) Appl. No.: **29/638,296**
(22) Filed: **Feb. 26, 2018**

Primary Examiner — Cynthia Ramirez
Assistant Examiner — Michael A Maharajh
(74) *Attorney, Agent, or Firm* — Dinsmore & Shohl LLP

(51) **LOC (12) Cl.** **12-05**
(52) **U.S. Cl.**
USPC **D34/28; D34/23**

(57) **CLAIM**

The ornamental design for a cart, as shown and described.

(58) **Field of Classification Search**
USPC D34/23, 28, 29, 34, 38; 248/346.02; 229/125.26, 122.28, 122.21, 120.11, 117, 229/113, 110; 108/57.28, 57.25, 57.1, 108/56.1, 55.3, 53.3, 53.1, 52.1, 51.3, 108/51.11
CPC B65D 2519/00273; B65D 2519/00308; B65D 19/00; B65G 2201/0267
See application file for complete search history.

DESCRIPTION

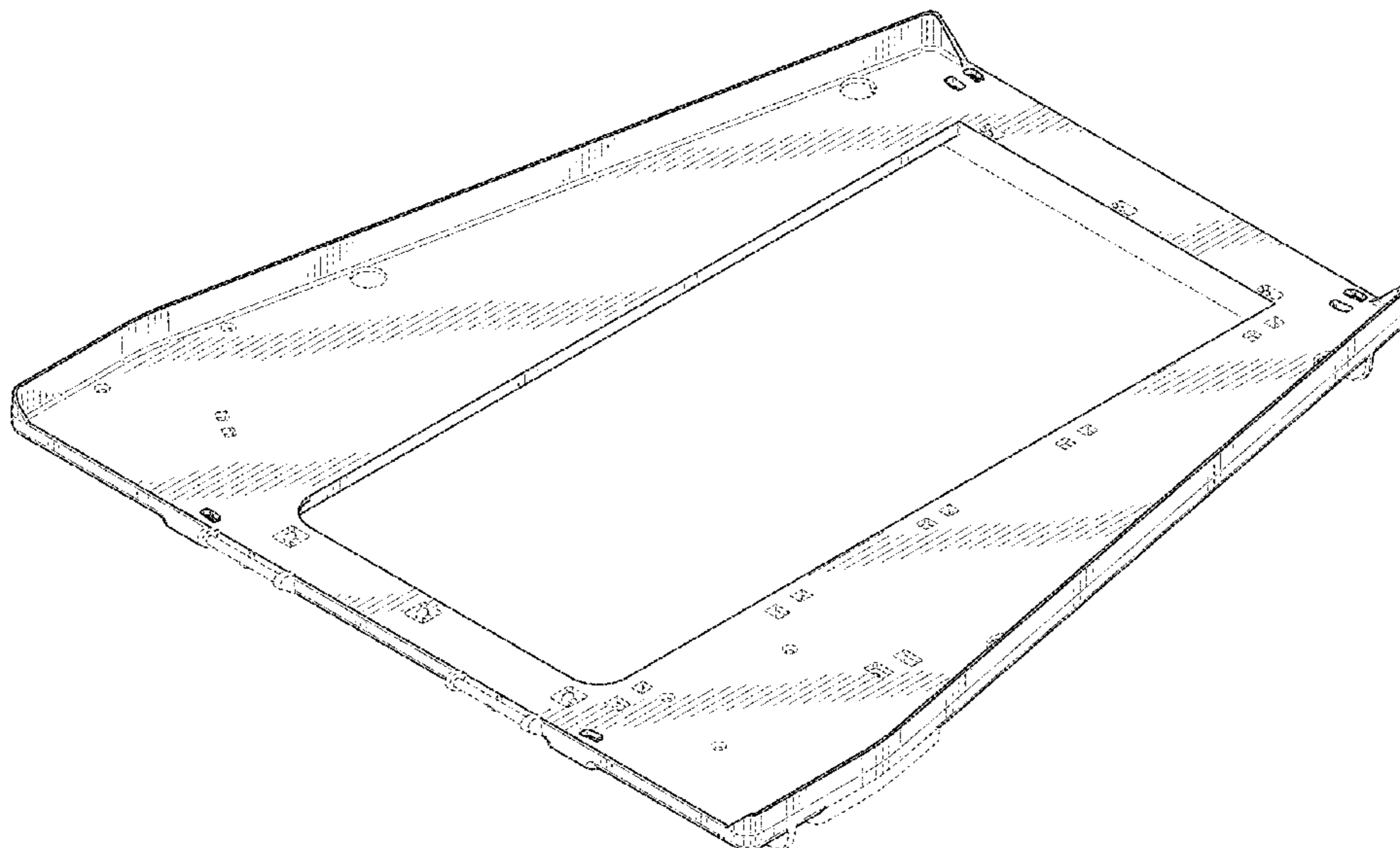
FIG. 1 is a top perspective view of a cart showing our new design;
FIG. 2 is a bottom perspective view thereof;
FIG. 3 is a top view thereof;
FIG. 4 is a bottom view thereof;
FIG. 5 is a front view thereof;
FIG. 6 is a rear view thereof;
FIG. 7 is a right side view thereof; and,
FIG. 8 is a left side view thereof.

The broken lines shown in the drawings are for the purposes of illustrating portions of the cart, which form no part of the claimed design.

(56) **References Cited**
U.S. PATENT DOCUMENTS

D127,916 S * 6/1941 Whitfield D34/23
2,908,464 A * 10/1959 Traudt B65D 19/0012
108/51.3

1 Claim, 6 Drawing Sheets



(56)

References Cited

U.S. PATENT DOCUMENTS

5,784,971 A * 7/1998 Chang B65D 19/0059
 108/51.3
 D398,433 S * 9/1998 Whiteside D34/23
 D406,684 S * 3/1999 Pool D34/23
 6,029,582 A * 2/2000 Ogilvie, Jr. B65D 19/0012
 108/165
 D422,768 S * 4/2000 Gunn D34/38
 D427,406 S * 6/2000 Hartwall D34/23
 D448,536 S * 9/2001 Treschitta D34/12
 D472,028 S 3/2003 Stahl
 D494,337 S * 8/2004 Carpenter D34/38
 D501,591 S 2/2005 Lucht
 6,886,787 B2 * 5/2005 Stahl B62B 3/1476
 D34/23
 D547,517 S * 7/2007 Hernandez D34/23
 D552,325 S * 10/2007 Dickner D34/38
 D557,874 S * 12/2007 Dong D34/38
 D570,572 S * 6/2008 Whiteside D34/23
 D576,373 S * 9/2008 Whiteside D34/23
 D576,374 S * 9/2008 Whiteside D34/23
 D594,622 S * 6/2009 Kissun D34/23
 D620,669 S * 7/2010 Hernandez D34/23
 D630,815 S * 1/2011 Teien D34/38
 7,908,979 B2 * 3/2011 Yoshida B65D 19/0026
 108/57.25
 D650,545 S 12/2011 Malone, Jr. et al.
 D650,546 S * 12/2011 MacDonald D34/38
 D751,789 S * 3/2016 Cote D34/38
 D779,145 S 2/2017 Thuma et al.

D781,023 S * 3/2017 Johnson D34/38
 D822,935 S * 7/2018 Kopp D34/23
 2001/0029874 A1 * 10/2001 Muirhead B65D 19/0012
 108/57.25
 2005/0229819 A1 * 10/2005 Hollander B65D 19/0026
 108/51.3
 2008/0141912 A1 * 6/2008 Valentinsson B65D 19/0014
 108/57.33
 2013/0133557 A1 * 5/2013 Yoshinaga B29C 44/128
 108/57.25
 2014/0158025 A1 * 6/2014 Apps B29C 45/0003
 108/57.25
 2015/0291305 A1 * 10/2015 Mueller B65D 19/0034
 108/52.1
 2017/0088309 A1 * 3/2017 Tandy B65D 19/0016
 2018/0370681 A1 * 12/2018 Lin B65D 19/0026

FOREIGN PATENT DOCUMENTS

EM	001886102	7/2011
EM	001359111	2/2013
GB	3018331	8/2004
JP	D1233026	3/2005
JP	D1561591	10/2016
JP	D1565875	12/2016
KR	300842152	3/2016
KR	300921656	9/2017
TR	201408390	4/2015
TW	D175755	5/2016
WO	D034618	1/1996

* cited by examiner

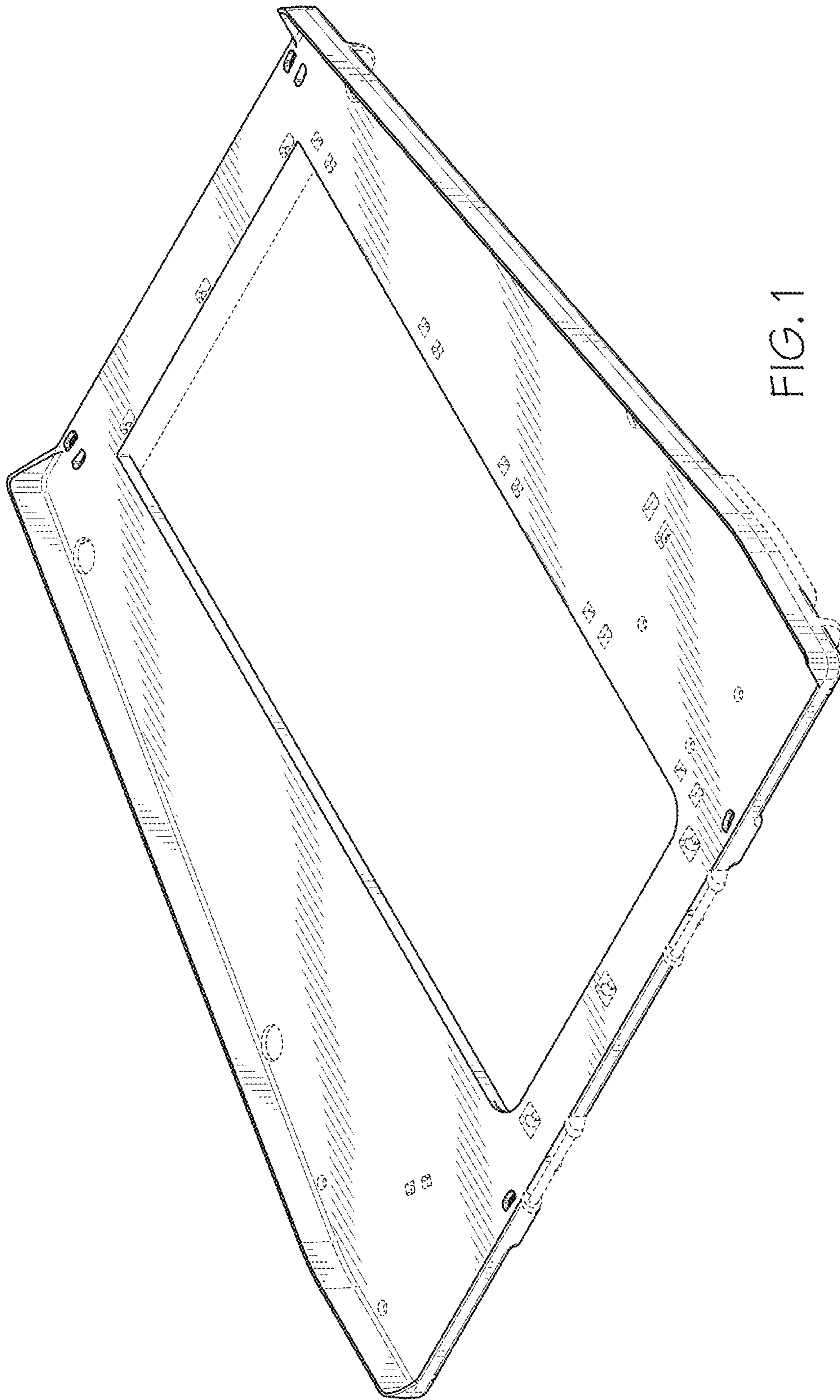


FIG. 1

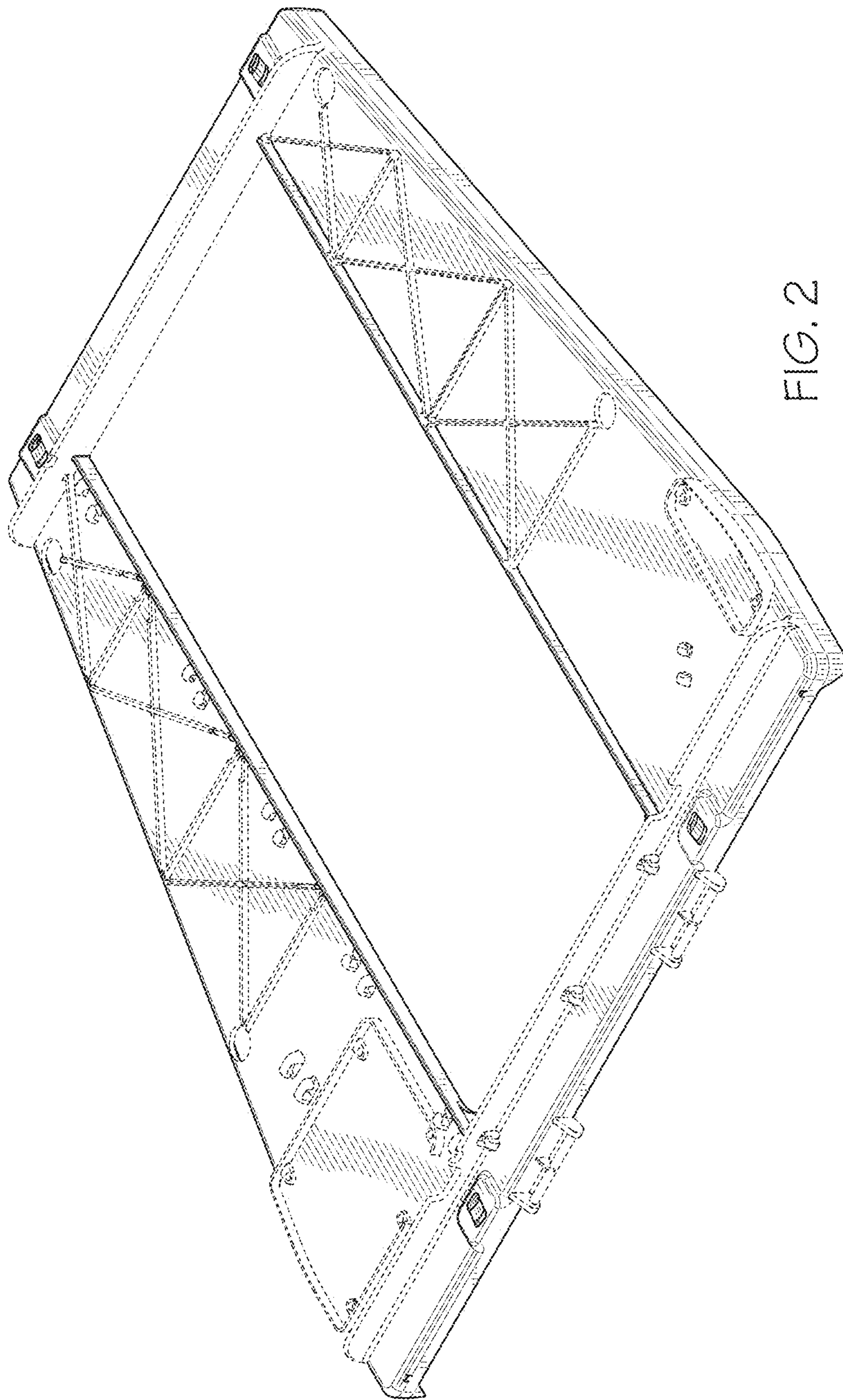


FIG. 2

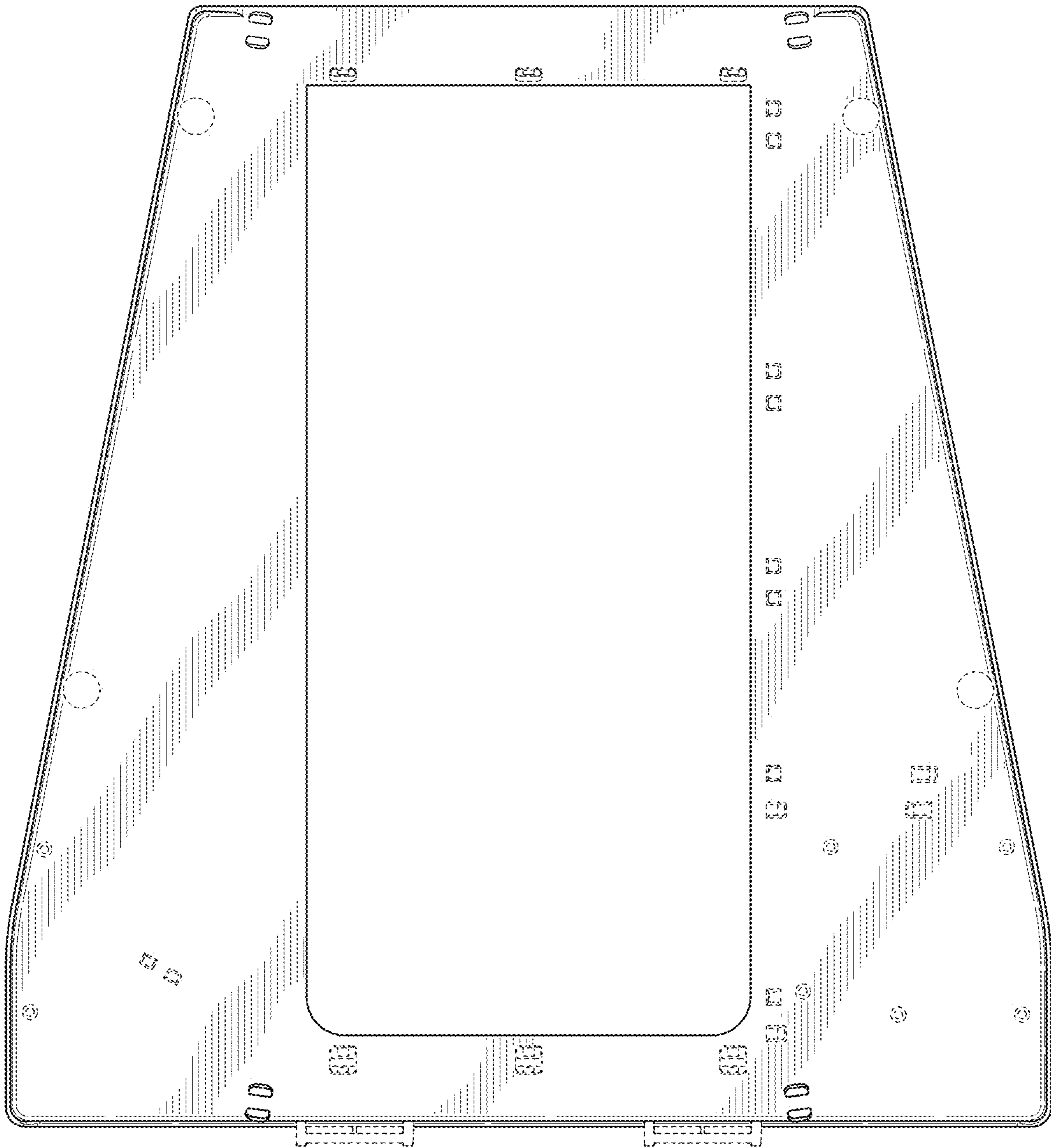


FIG. 3

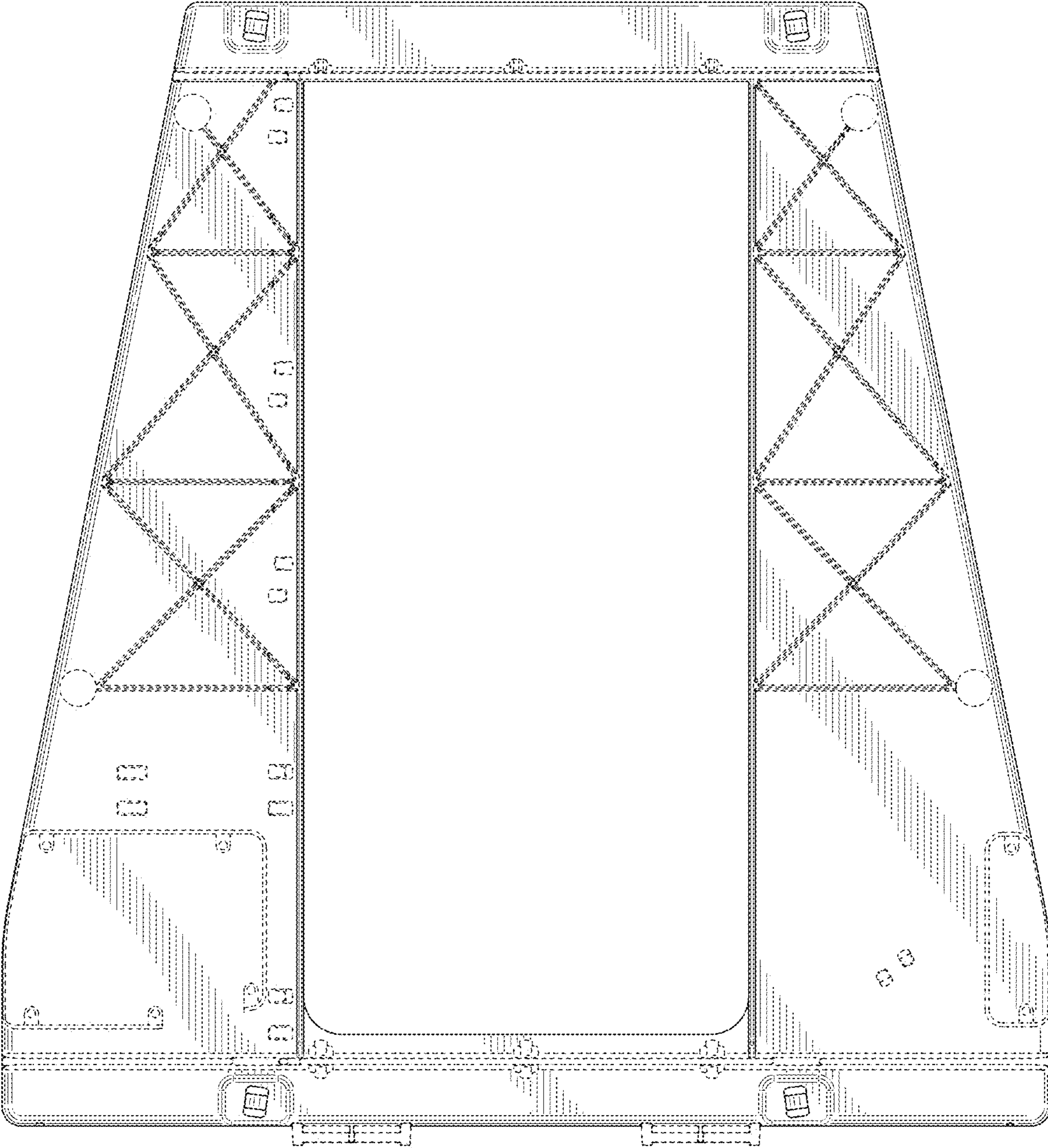


FIG. 4

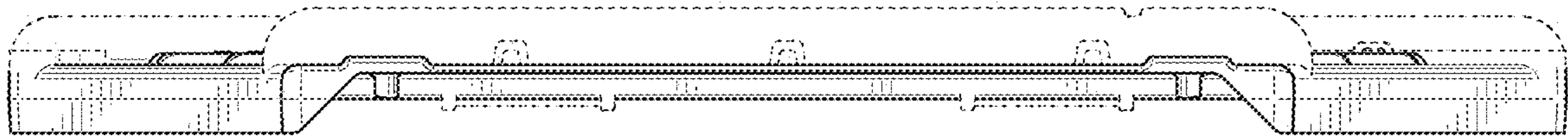


FIG. 5

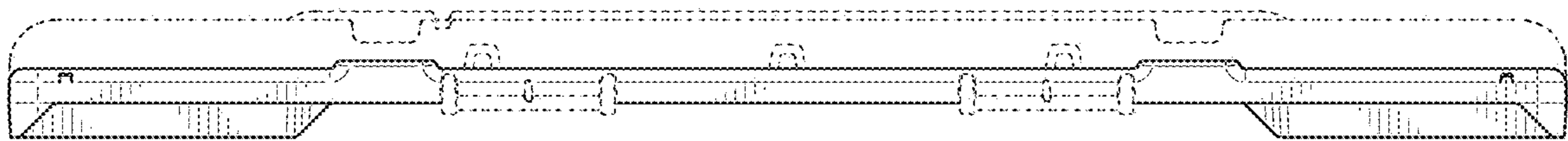


FIG. 6

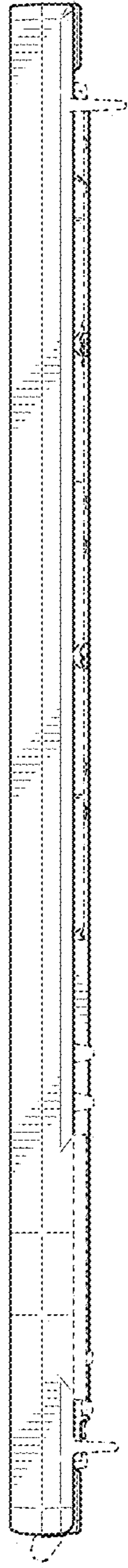


FIG. 7



FIG. 8