

US00D869113S

(12) **United States Design Patent** (10) **Patent No.:** **US D869,113 S**  
**Chavana, Jr. et al.** (45) **Date of Patent:** **\*\* Dec. 3, 2019**

(54) **SURFACE CLEANING DEVICE HANDLE**

(71) Applicant: **Rug Doctor, LLC**, Plano, TX (US)

(72) Inventors: **Ernest Matthew Chavana, Jr.**, Villa Ridge, MO (US); **Richard Foster**, Powell, OH (US); **Stanley Anderson**, Fenton, MO (US); **Christopher Terpstra**, Frisco, TX (US); **Jan Valentic**, Plano, TX (US); **Xintao Ma**, Suzhou (CN)

(73) Assignee: **Rug Doctor, LLC**, Plano, TX (US)

(\*\*) Term: **15 Years**

(21) Appl. No.: **29/618,160**

(22) Filed: **Sep. 19, 2017**

(51) **LOC (12) Cl.** ..... **15-05**

(52) **U.S. Cl.**  
USPC ..... **D32/34; D32/15; D32/17**

(58) **Field of Classification Search**  
USPC ... D32/1, 14, 25, 34, 35, 15, 17, 18, 31, 39, D32/49, 51, 52, 71, 72; D23/223, 224; D6/524; D28/7; 4/255.05, 255.01, 4/255.12, 255.09, 255.11; 15/406, 15/104.05, 104.31, 104.32, 104.33; D8/51, 70  
CPC .. E03D 9/00; E03C 1/30; E03C 1/308; A47K 11/10; E03F 9/005; B08B 9/045  
See application file for complete search history.

(56) **References Cited**

**U.S. PATENT DOCUMENTS**

D237,036 S	*	10/1975	Edwards	.....	D32/31
D334,447 S	*	3/1993	Rohn	.....	D32/34
D431,335 S	*	9/2000	Mehaffey	.....	D32/34
D550,411 S	*	9/2007	Carpanese	.....	D32/25
D565,819 S	*	4/2008	Renner	.....	D32/34

D566,359 S	*	4/2008	Houghton	.....	D32/34
D571,965 S	*	6/2008	Tullney	.....	D32/15
D611,666 S	*	3/2010	Umeda	.....	D32/34
D682,496 S	*	5/2013	Bassett	.....	D32/22

(Continued)

**OTHER PUBLICATIONS**

Pro Deep Stain Cleaner posted by Rug Doctor posted date unknown, © AMAZON, [online], [site visited Nov. 21, 2018]. Available from Internet, [https://www.amazon.com/gp/product/B07953G6TZ/ref=s9\\_dcacsd\\_dcoop\\_bw\\_c\\_x\\_3\\_w](https://www.amazon.com/gp/product/B07953G6TZ/ref=s9_dcacsd_dcoop_bw_c_x_3_w) (Year: 2018).\*

(Continued)

*Primary Examiner* — Garth Rademaker

*Assistant Examiner* — Laura H Yu

(74) *Attorney, Agent, or Firm* — Hauptman Ham, LLP

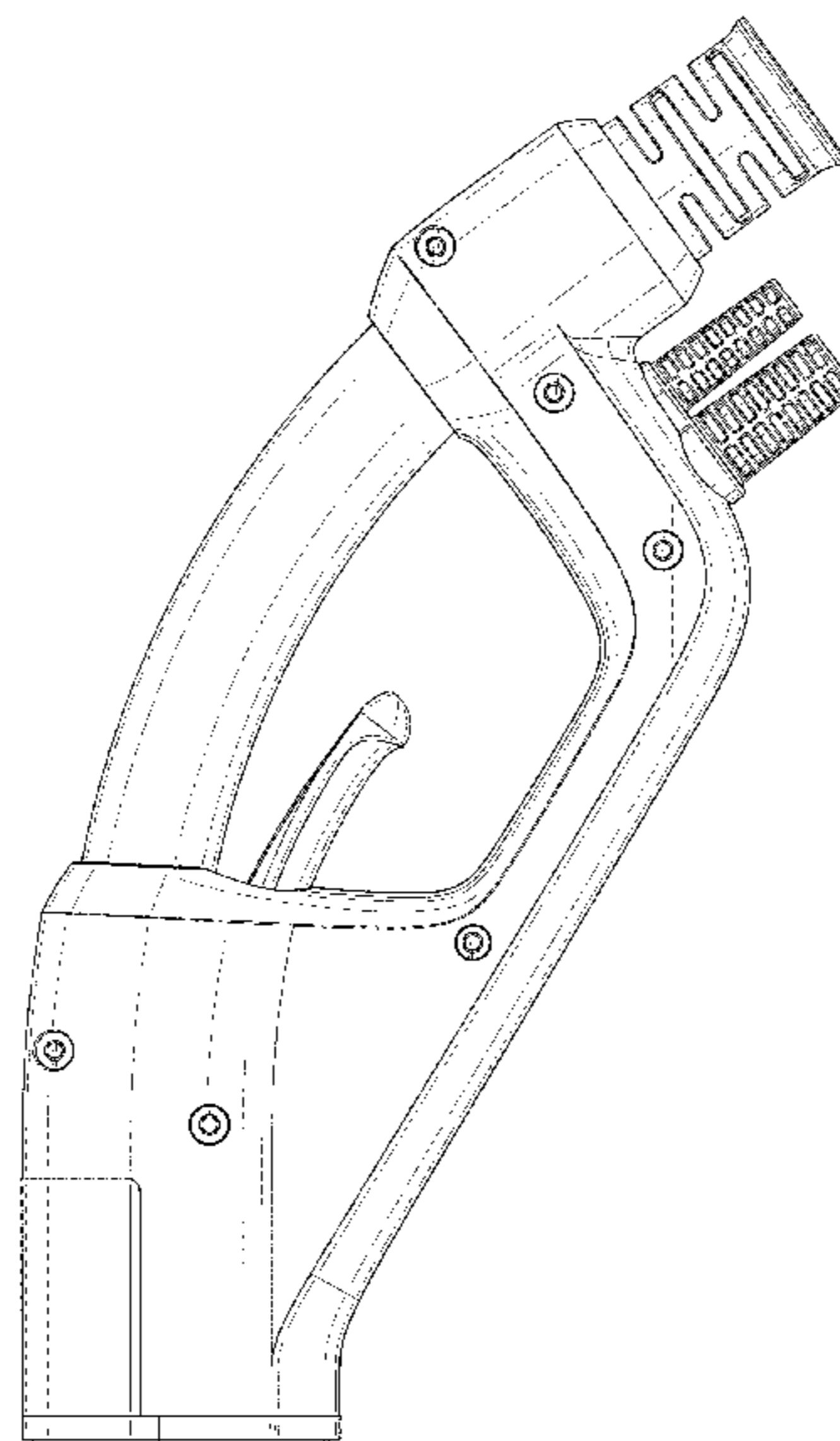
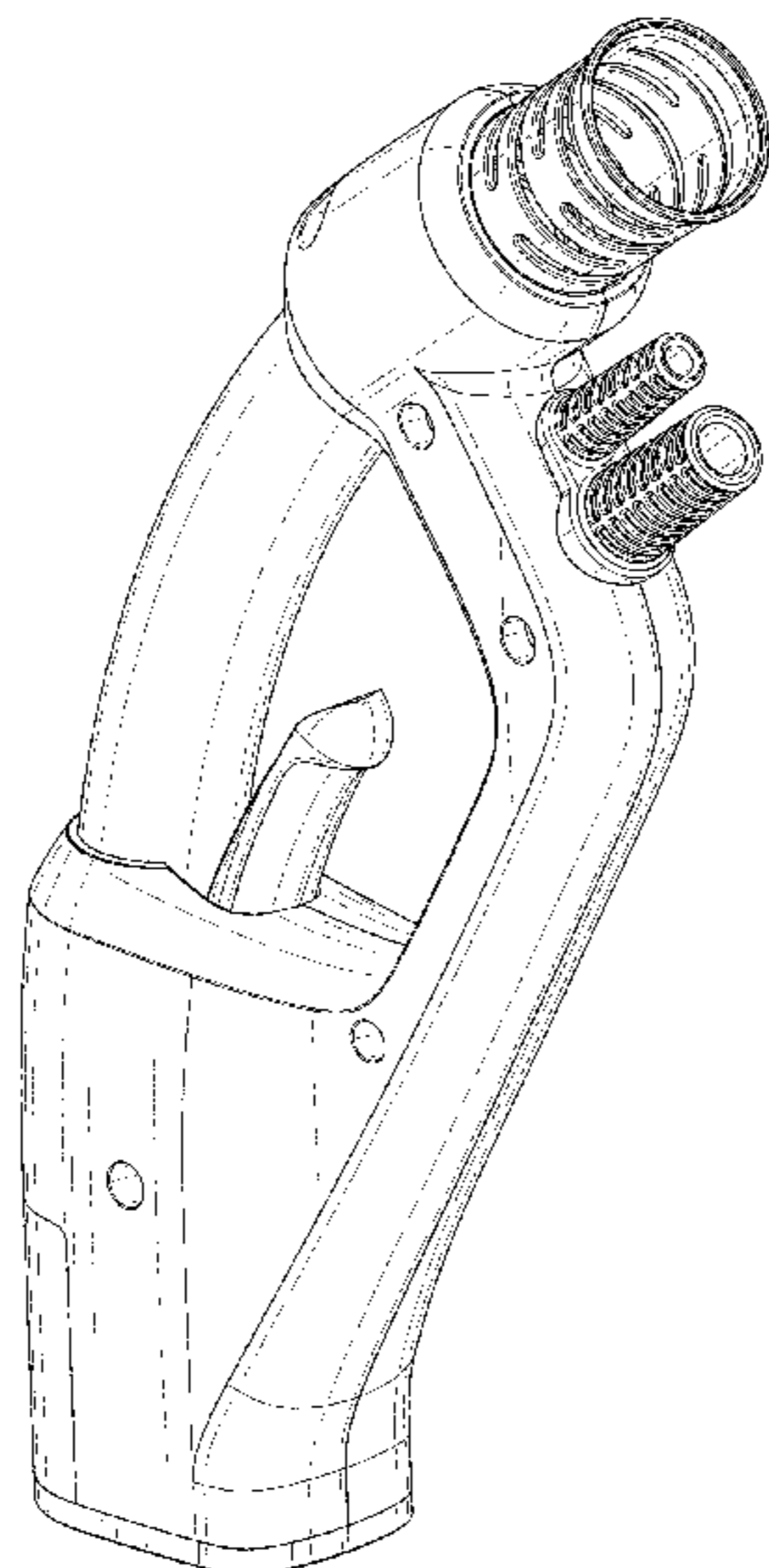
(57) **CLAIM**

The ornamental design for a surface cleaning device handle, as shown and described.

**DESCRIPTION**

FIG. 1 is a perspective view of a surface cleaning device handle showing our design;  
FIG. 2 is a rear view of the surface cleaning device handle of FIG. 1;  
FIG. 3 is a front view of the surface cleaning device handle of FIG. 1;  
FIG. 4 is a right side view of surface cleaning device handle of FIG. 1;  
FIG. 5 is a left side view of the surface cleaning device handle of FIG. 1;  
FIG. 6 is a top view of the surface cleaning device handle of FIG. 1; and,  
FIG. 7 is a bottom view of the surface cleaning device handle of FIG. 1.  
The broken lines in the drawings illustrate portions of the surface cleaning device handle that form no part of the claimed design.

**1 Claim, 5 Drawing Sheets**



(56)

**References Cited**

U.S. PATENT DOCUMENTS

D739,622 S \* 9/2015 Johnson ..... D32/34  
D804,114 S \* 11/2017 Kim ..... D32/18

OTHER PUBLICATIONS

Uphostery Cleaner posted by Rug Doctor posted date unknown, © AMAZON, [online], [site visited Nov. 21, 2018]. Available from Internet, [https://www.amazon.com/Rug-Doctor-Upholstery-Motorized-Lingering/dp/B0795537V4/ref=sr\\_1\\_17?srs=2599906011&ie=UTF8&qid=1542828870&sr=8-17](https://www.amazon.com/Rug-Doctor-Upholstery-Motorized-Lingering/dp/B0795537V4/ref=sr_1_17?srs=2599906011&ie=UTF8&qid=1542828870&sr=8-17) (Year: 2018).\*

How to Use the New Pro Portable Spot Cleaner posted by Rug Doctor posted date Sep. 14, 2017, © YouTube, [online], [site visited Nov. 21, 2018]. Available from Internet, <https://www.youtube.com/watch?v=A5GZZlix9aA> (Year: 2017).\*

\* cited by examiner

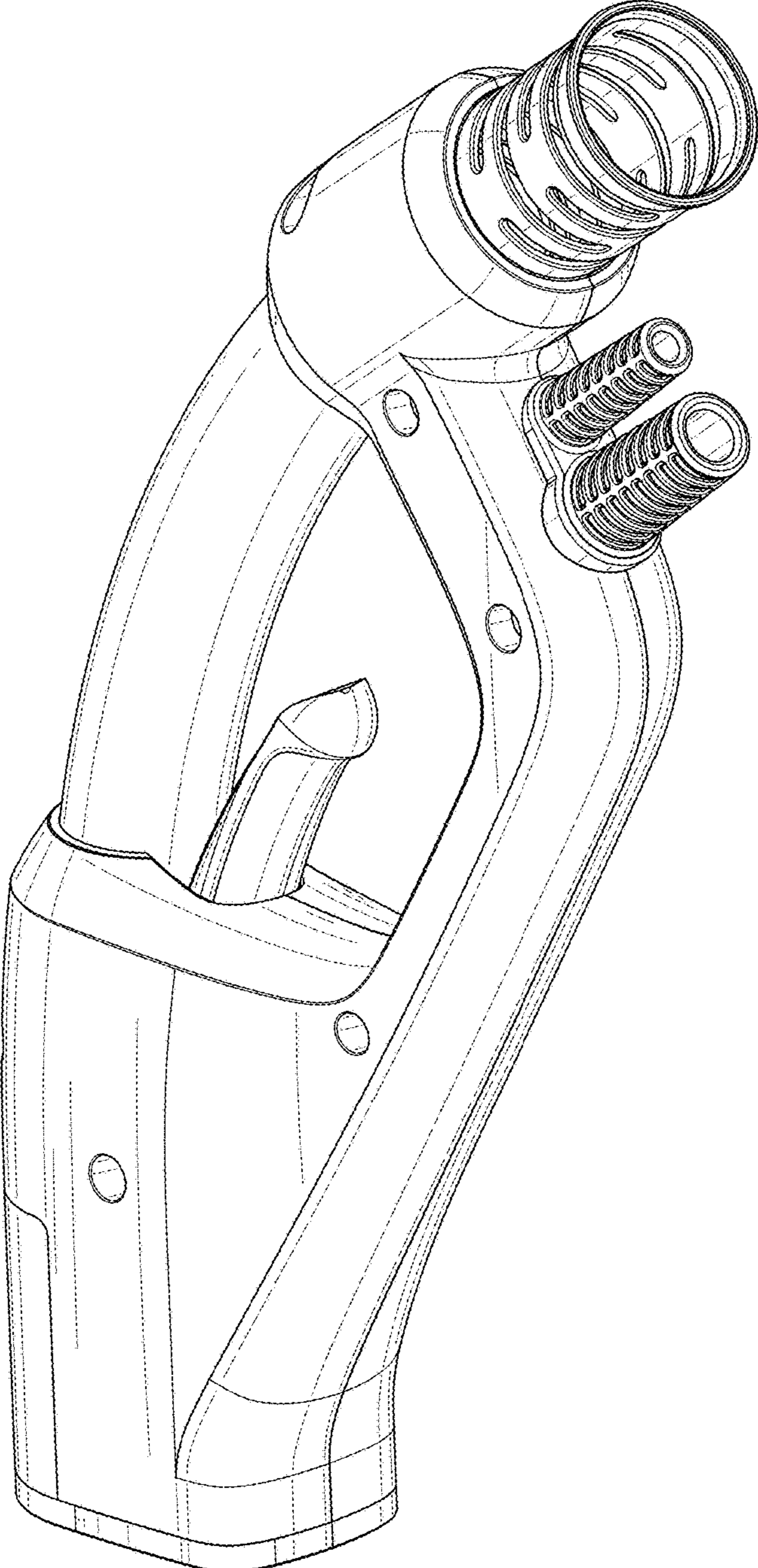


FIG. 1

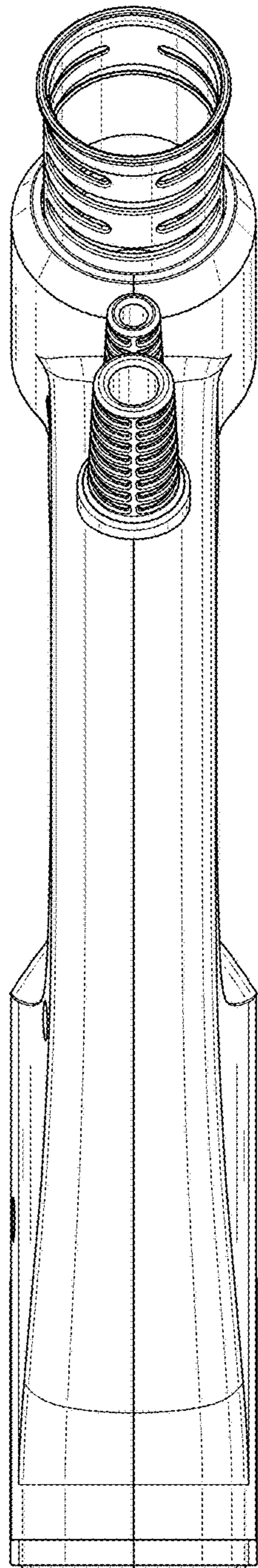


FIG. 2

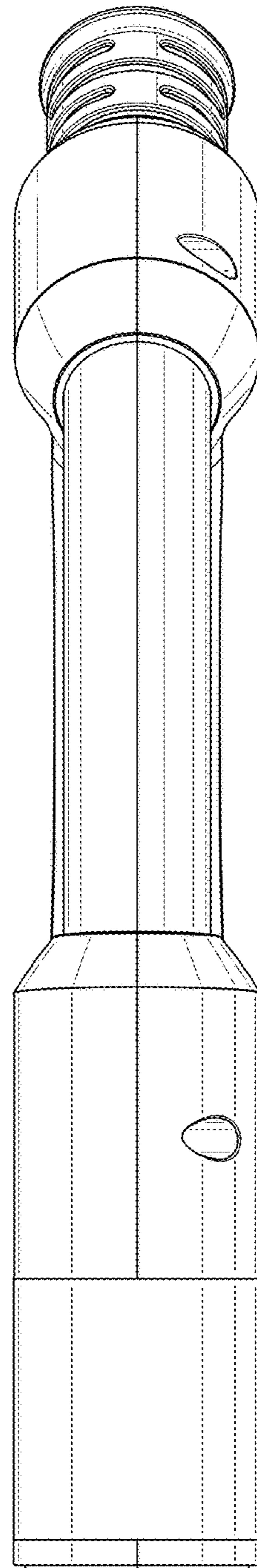


FIG. 3

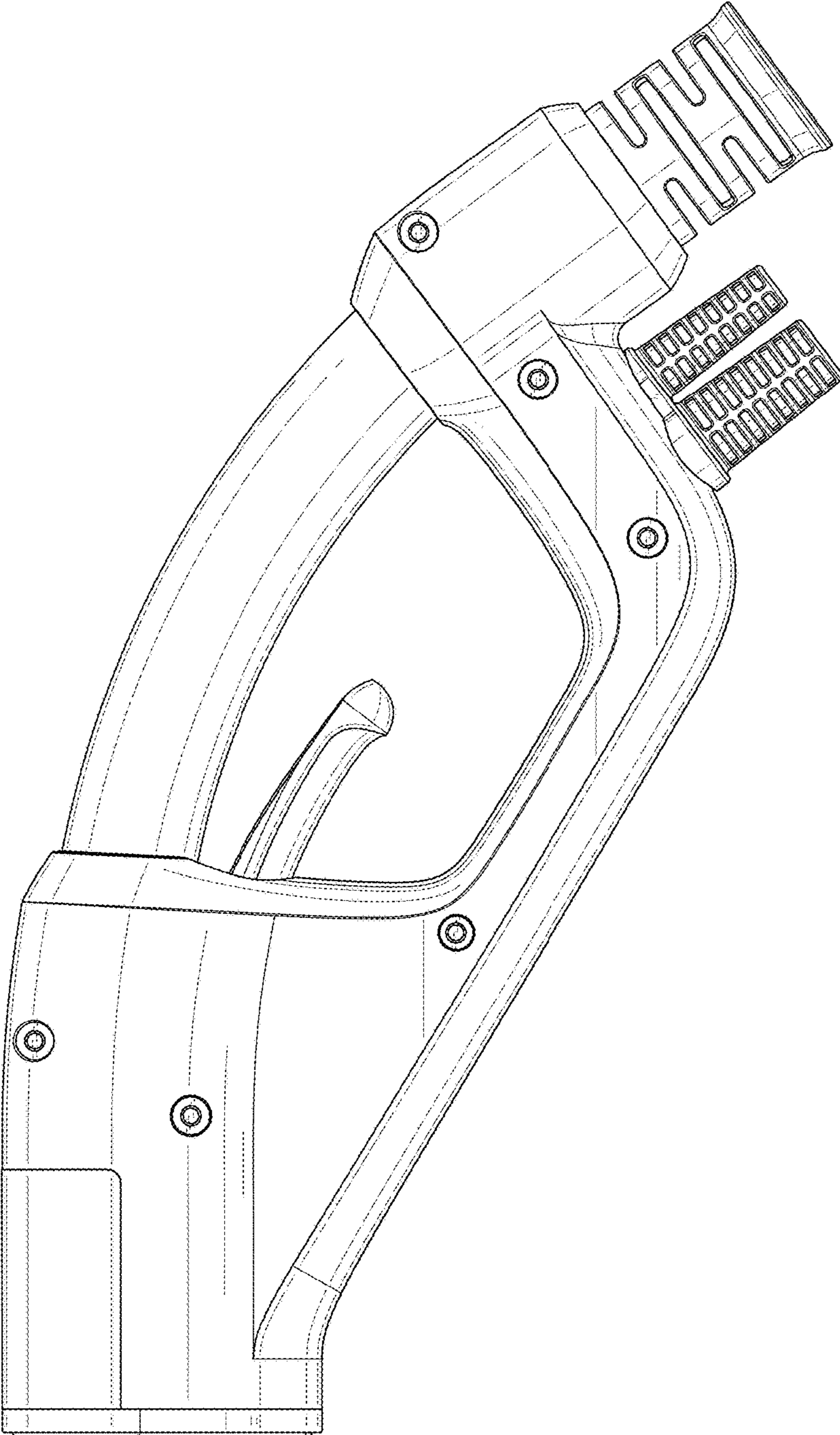


FIG. 4

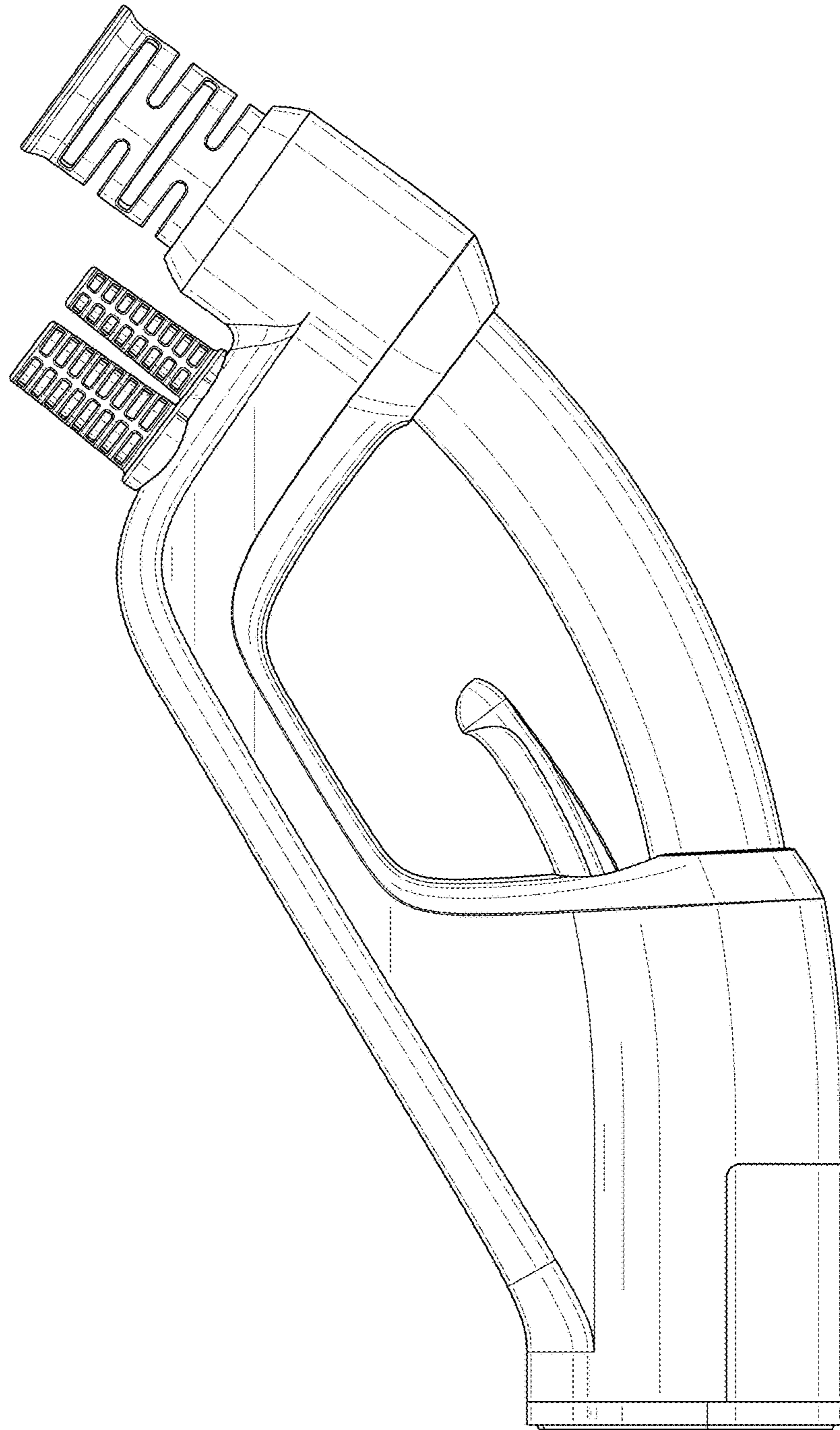


FIG. 5

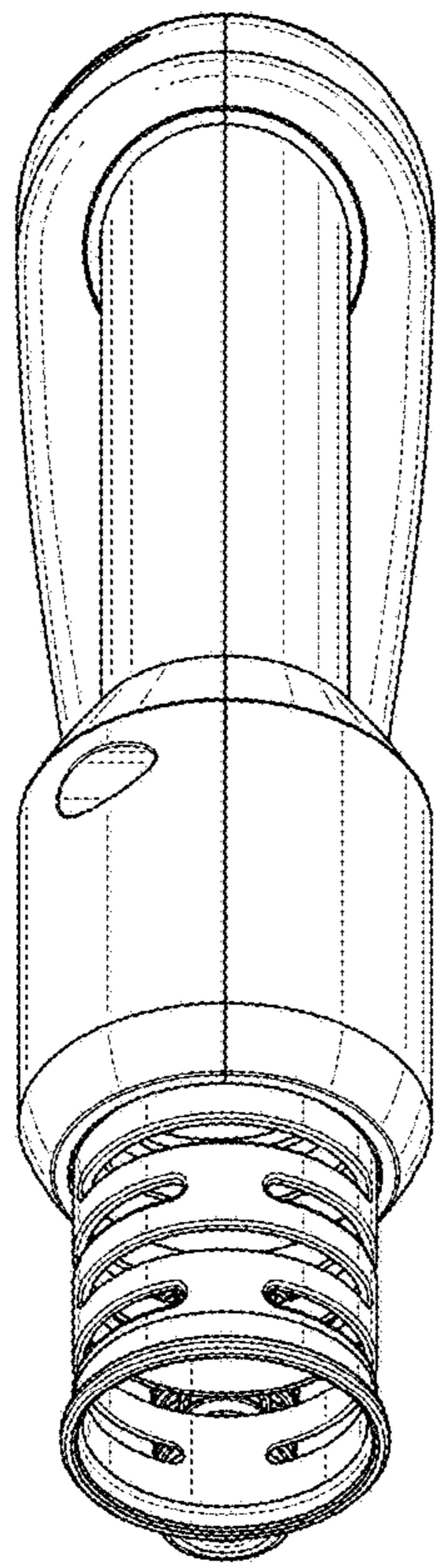


FIG. 6

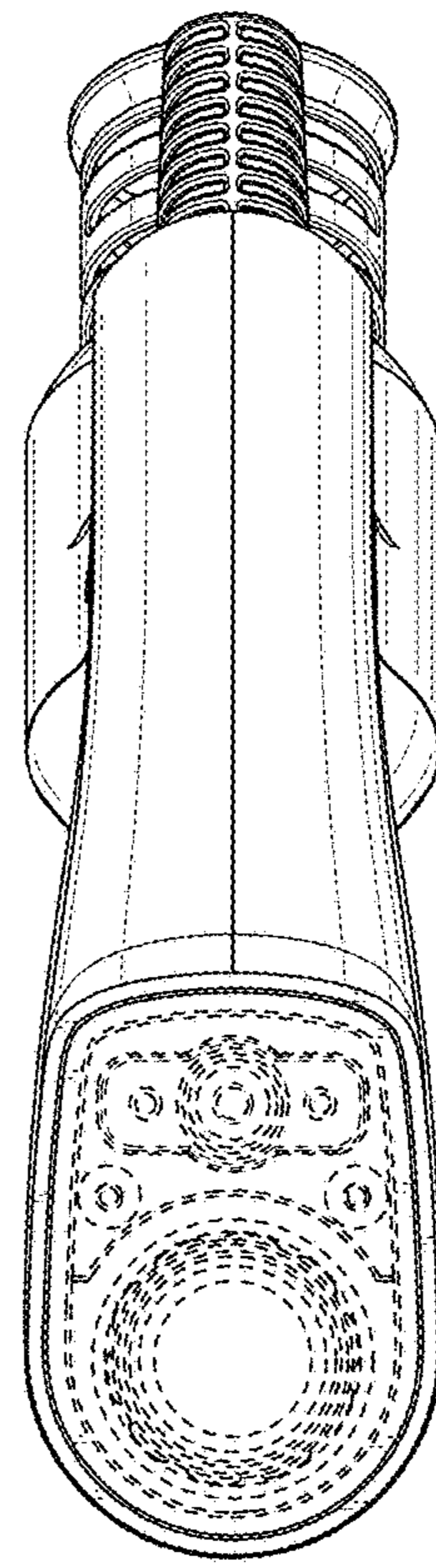


FIG. 7