



US00D869111S

(12) **United States Design Patent** (10) **Patent No.:** **US D869,111 S**
Chavana, Jr. et al. (45) **Date of Patent:** **** Dec. 3, 2019**

(54) **NOZZLE**

(71) Applicant: **Rug Doctor, LLC**, Plano, TX (US)

(72) Inventors: **Ernest Matthew Chavana, Jr.**, Villa Ridge, MO (US); **Richard Foster**, Powell, OH (US); **Stanley Anderson**, Fenton, MO (US); **Christopher Terpstra**, Frisco, TX (US); **Jan Valentic**, Plano, TX (US); **Xintao Ma**, Suzhou (CN)

(73) Assignee: **RUG DOCTOR, LLC**, Plano, TX (US)

(**) Term: **15 Years**

(21) Appl. No.: **29/625,430**

(22) Filed: **Nov. 9, 2017**

(51) **LOC (12) Cl.** **15-05**

(52) **U.S. Cl.**
USPC **D32/32**

(58) **Field of Classification Search**
USPC D32/31-33
CPC . A47L 9/02; A47L 9/04; A47L 9/0461; A47L 9/0693; A47L 9/0626; A47L 7/0009; B65G 51/00; B08B 9/0813; B08B 9/0808; B08B 3/024; B08B 5/04
See application file for complete search history.

(56) **References Cited**

U.S. PATENT DOCUMENTS

D215,875 S *	11/1969	Hoadley	D32/32
D239,243 S *	3/1976	Hachtmann	D32/32
D264,139 S *	4/1982	Pearman, Jr.	D32/33
D289,336 S *	4/1987	Fitzwater	D32/32
D289,337 S *	4/1987	Fitzwater	D32/32
D296,372 S *	6/1988	Toney	D32/32
D306,788 S *	3/1990	McAllister	D32/32
D347,504 S *	5/1994	Furcron	D32/33
D479,636 S *	9/2003	Kitts	D32/32

(Continued)

Primary Examiner — Ruth McInroy

(74) *Attorney, Agent, or Firm* — Hauptman Ham, LLP

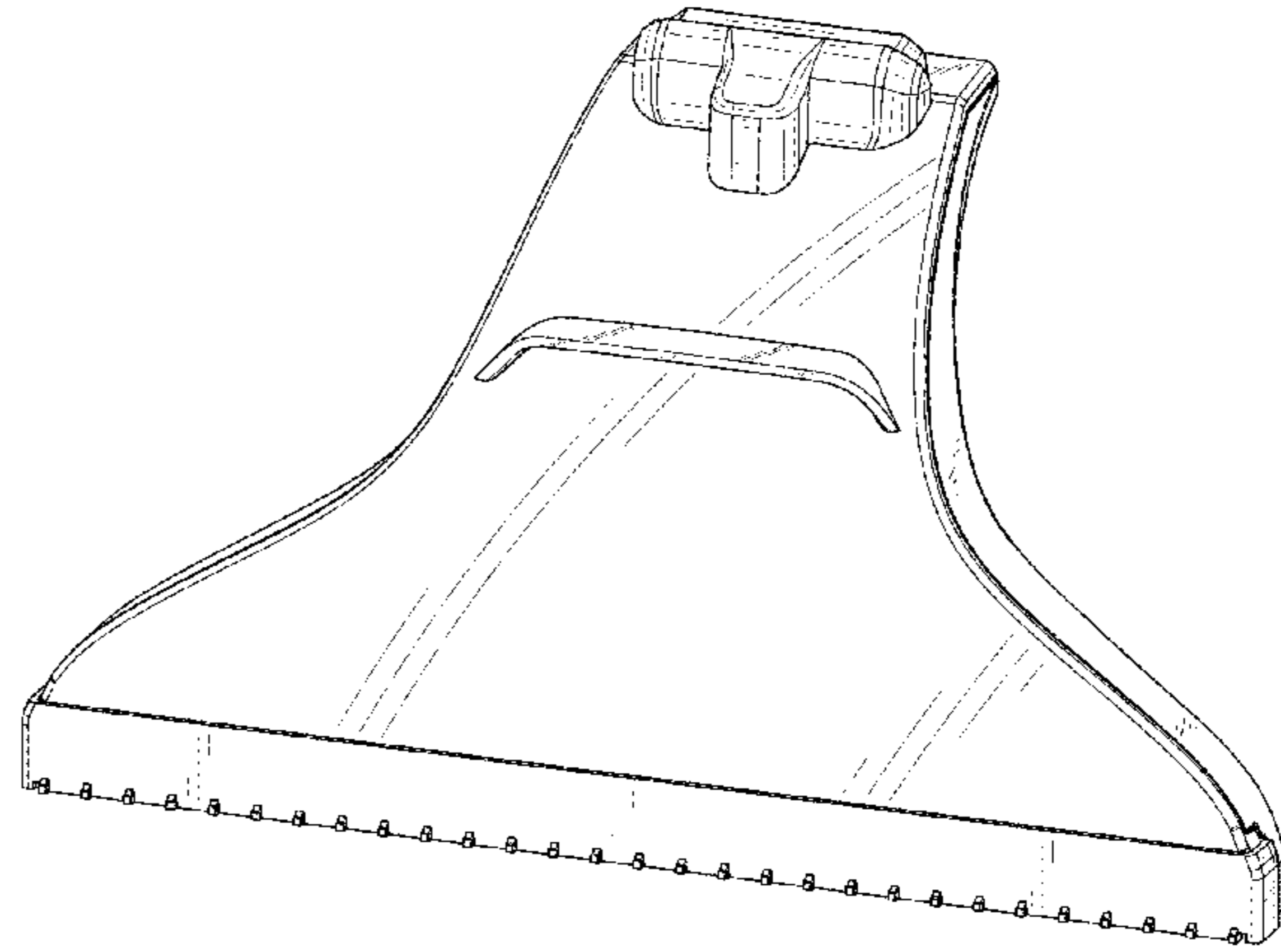
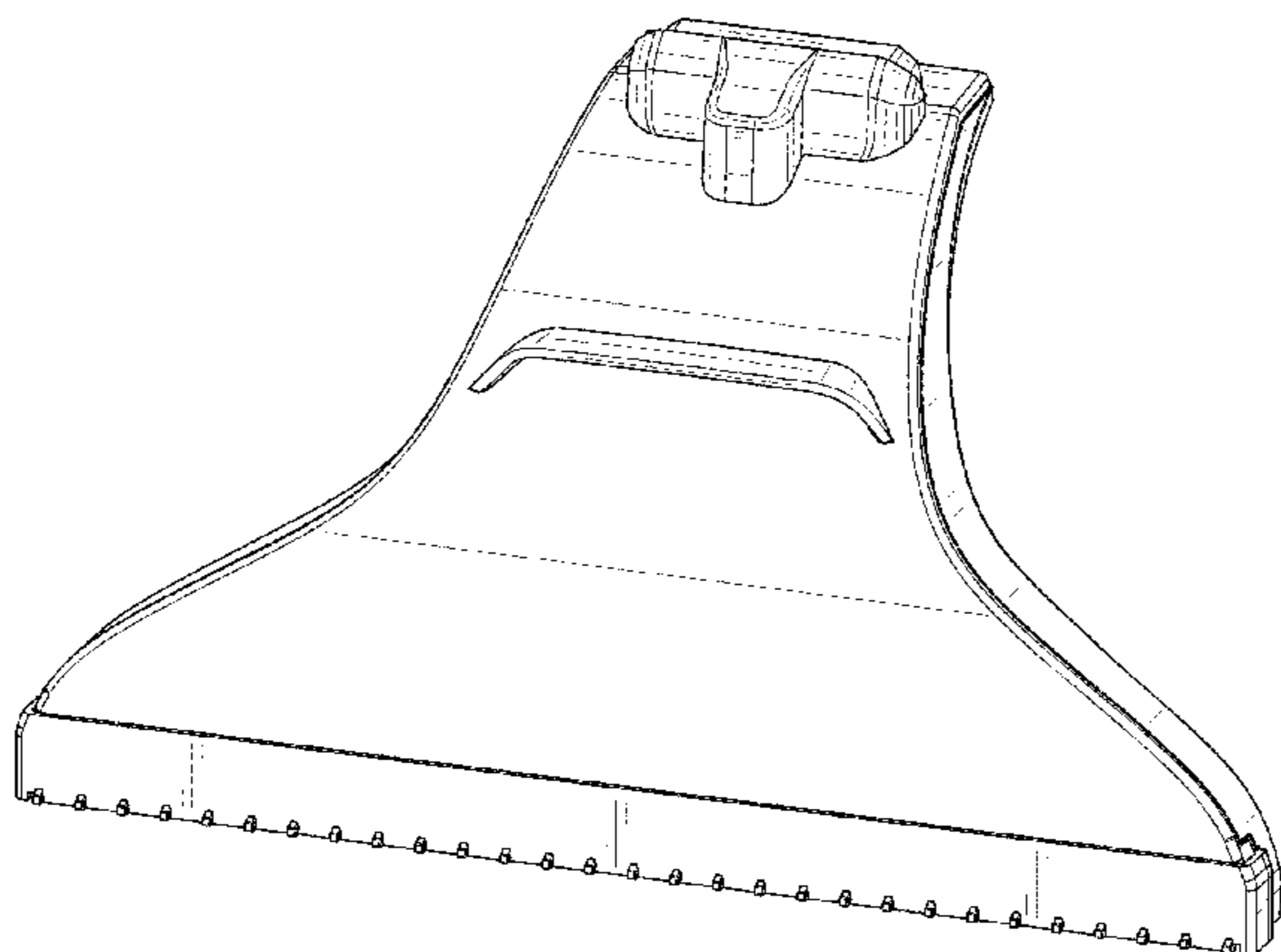
(57) **CLAIM**

The ornamental design for a nozzle, as shown and described.

DESCRIPTION

FIG. 1 is a front-perspective view of a nozzle showing our new design;
 FIG. 2 is a front view of the nozzle of FIG. 1;
 FIG. 3 is a rear view of the nozzle of FIG. 1;
 FIG. 4 is a left side view of the nozzle of FIG. 1;
 FIG. 5 is a right side view of the nozzle of FIG. 1;
 FIG. 6 is a top view of the nozzle of FIG. 1;
 FIG. 7 is a bottom view of the nozzle of FIG. 1;
 FIG. 8 is a rear-perspective view of the nozzle of FIG. 1;
 FIG. 9 is a front-perspective view of a second embodiment thereof;
 FIG. 10 is a front view of the nozzle of FIG. 9;
 FIG. 11 is a rear view of the nozzle of FIG. 9;
 FIG. 12 is a left side view of the nozzle of FIG. 9;
 FIG. 13 is a right side view of the nozzle of FIG. 9;
 FIG. 14 is a top view of the nozzle of FIG. 9;
 FIG. 15 is a bottom view of the nozzle of FIG. 9;
 FIG. 16 is a rear-perspective view of the nozzle of FIG. 9;
 FIG. 17 is a front-perspective view of a third embodiment thereof;
 FIG. 18 is a front view of the nozzle of FIG. 17;
 FIG. 19 is a rear view of the nozzle of FIG. 17;
 FIG. 20 is a left side view of the nozzle of FIG. 17;
 FIG. 21 is a right side view of the nozzle of FIG. 17;
 FIG. 22 is a top view of the nozzle of FIG. 17;
 FIG. 23 is a bottom view of the nozzle of FIG. 17; and,
 FIG. 24 is a rear-perspective view of the nozzle of FIG. 17.
 The details shown in broken lines form no part of the claimed design.

1 Claim, 21 Drawing Sheets



(56)

References Cited

U.S. PATENT DOCUMENTS

D538,986	S	*	3/2007	Ingram	D32/32
D621,112	S	*	8/2010	Benacquisto	D32/33
D621,565	S	*	8/2010	Pierce	D32/32
D624,717	S	*	9/2010	Roschi	D32/32
D674,978	S	*	1/2013	Hill	D32/32
D701,011	S	*	3/2014	Miller	D32/32
D780,392	S	*	2/2017	Mikula	D32/32
D789,634	S	*	6/2017	Witter	D32/32
D793,638	S	*	8/2017	Labarbera	D32/32
D801,606	S	*	10/2017	Mikula	D32/32
D804,755	S	*	12/2017	Nam	D32/33

* cited by examiner

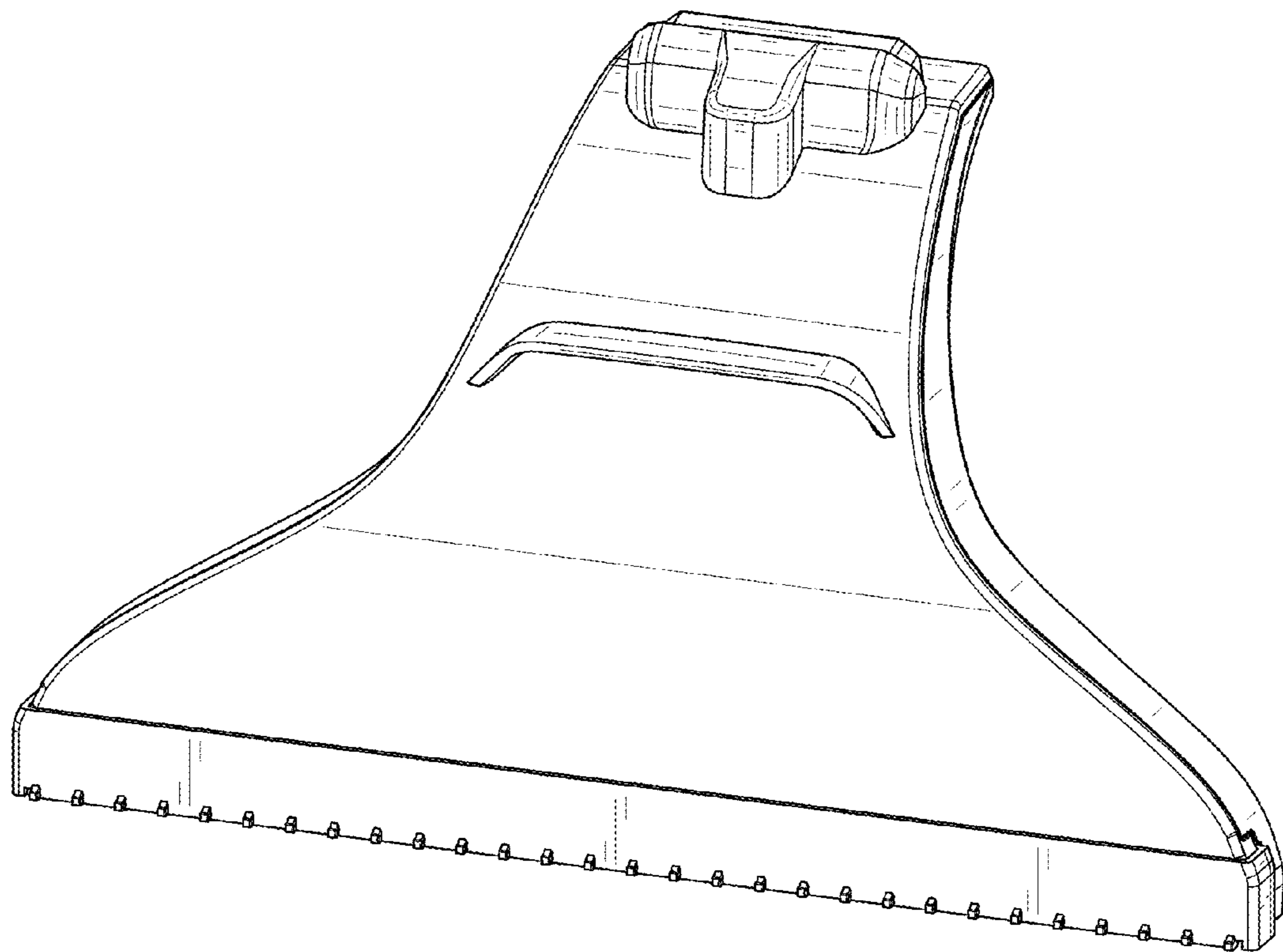


FIG. 1

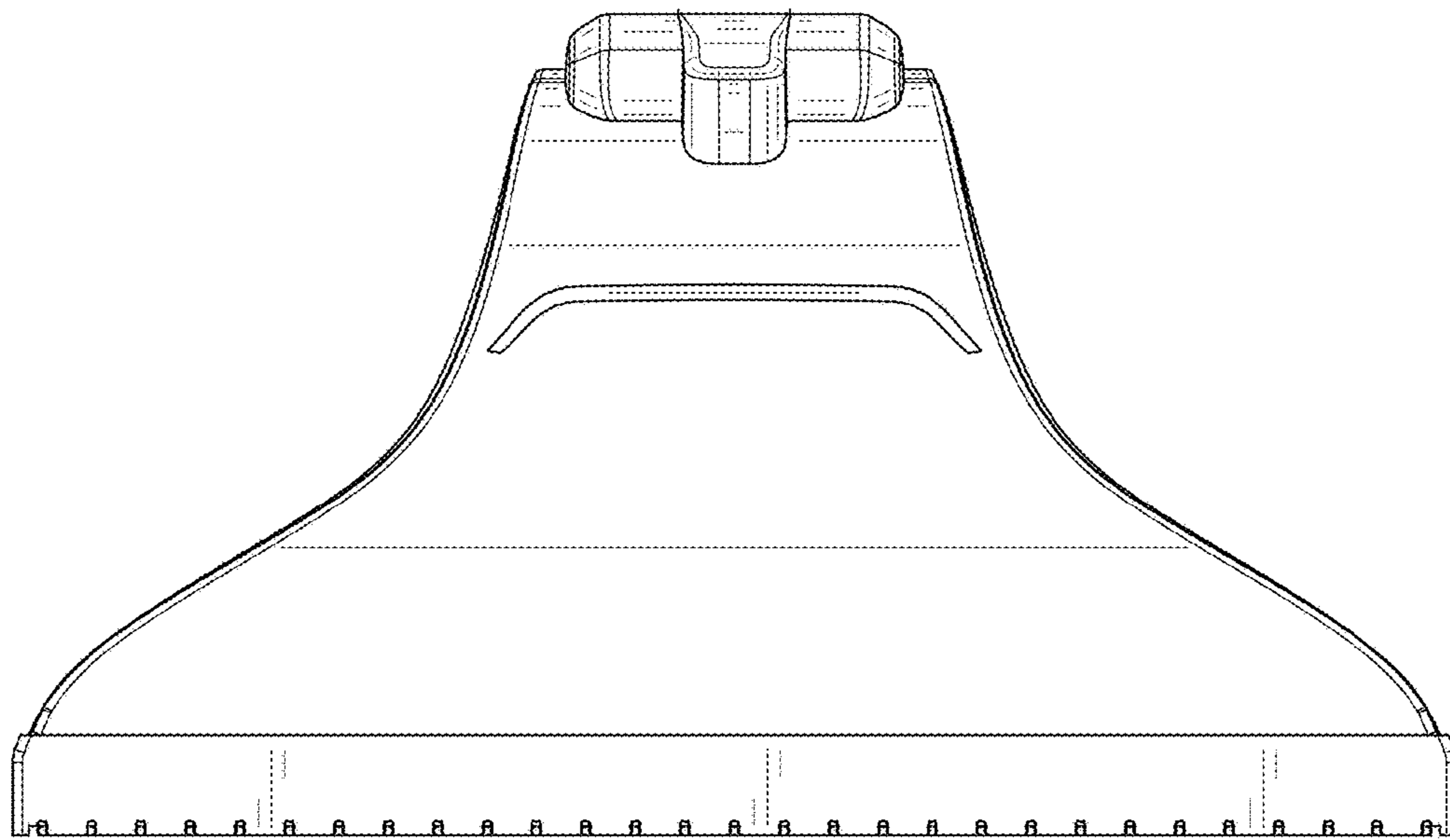


FIG. 2

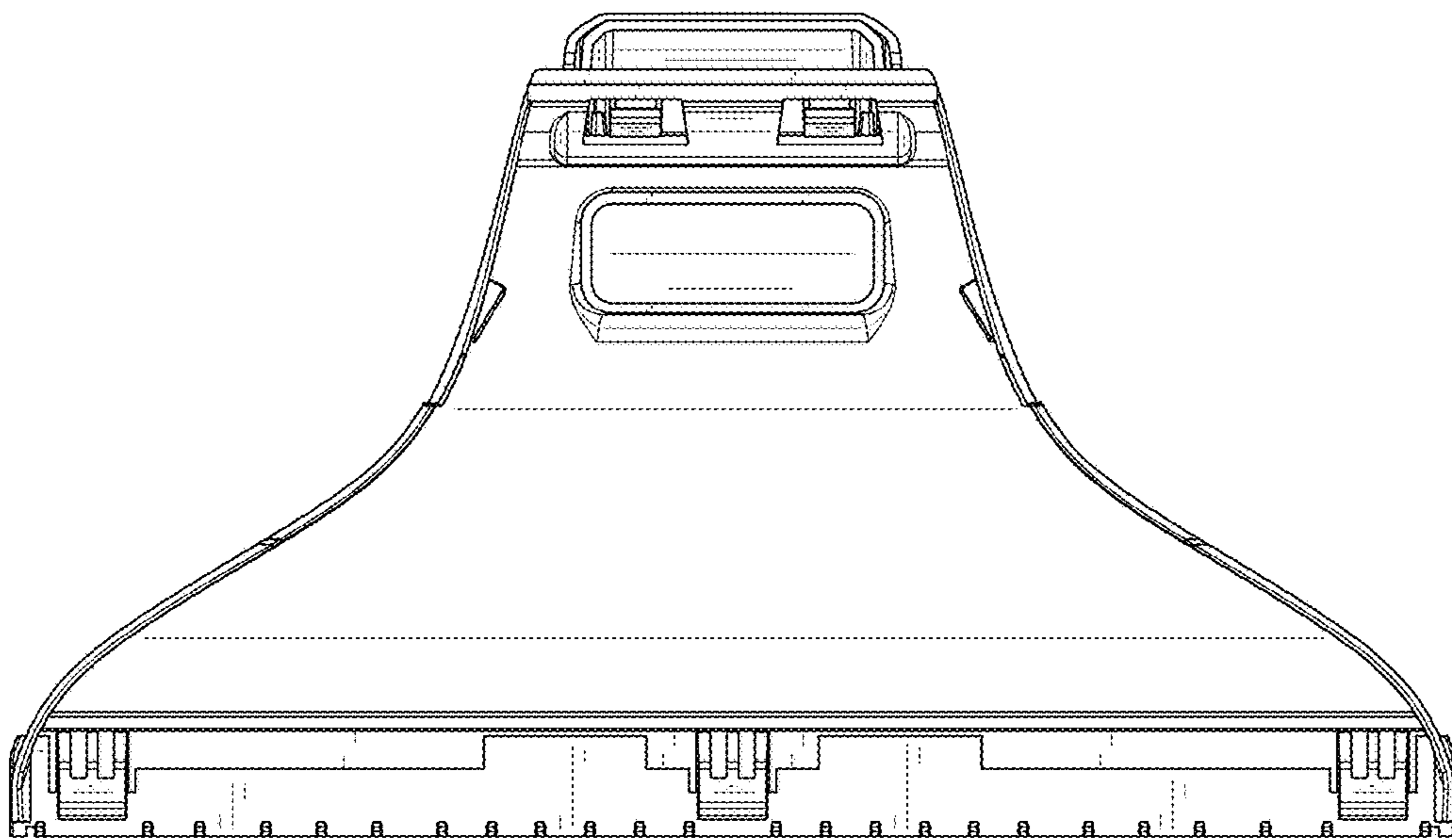


FIG. 3

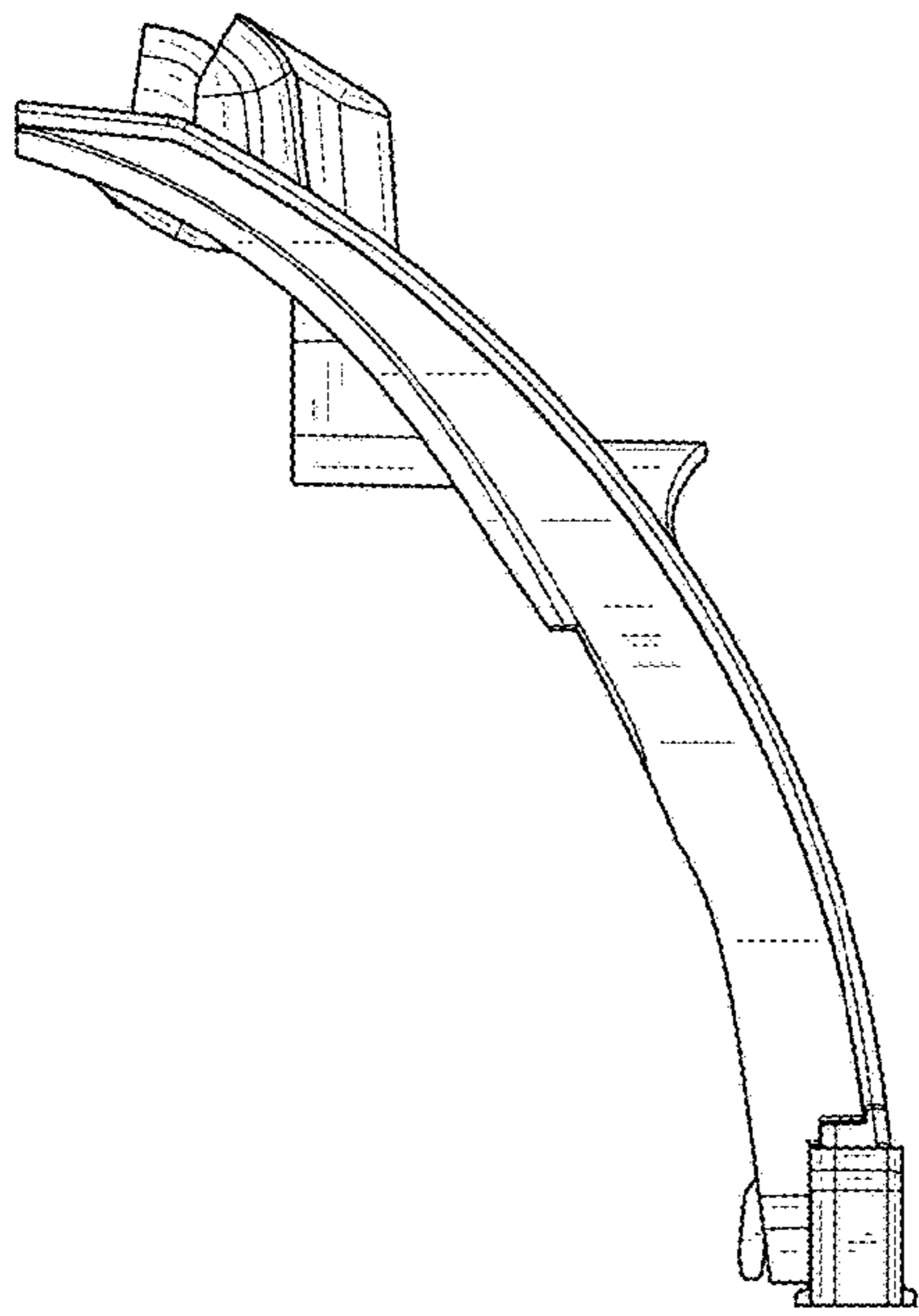


FIG. 4

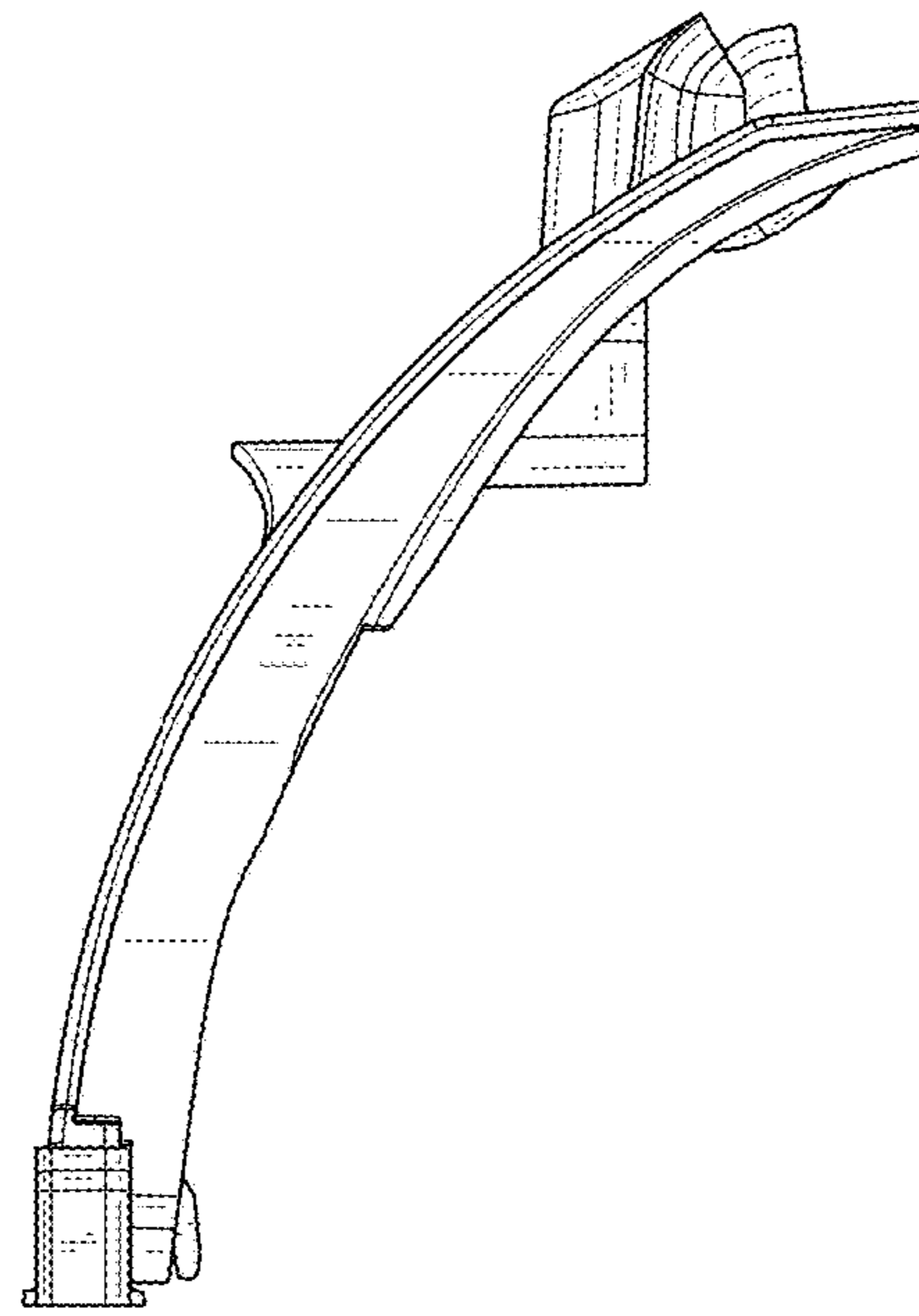


FIG. 5

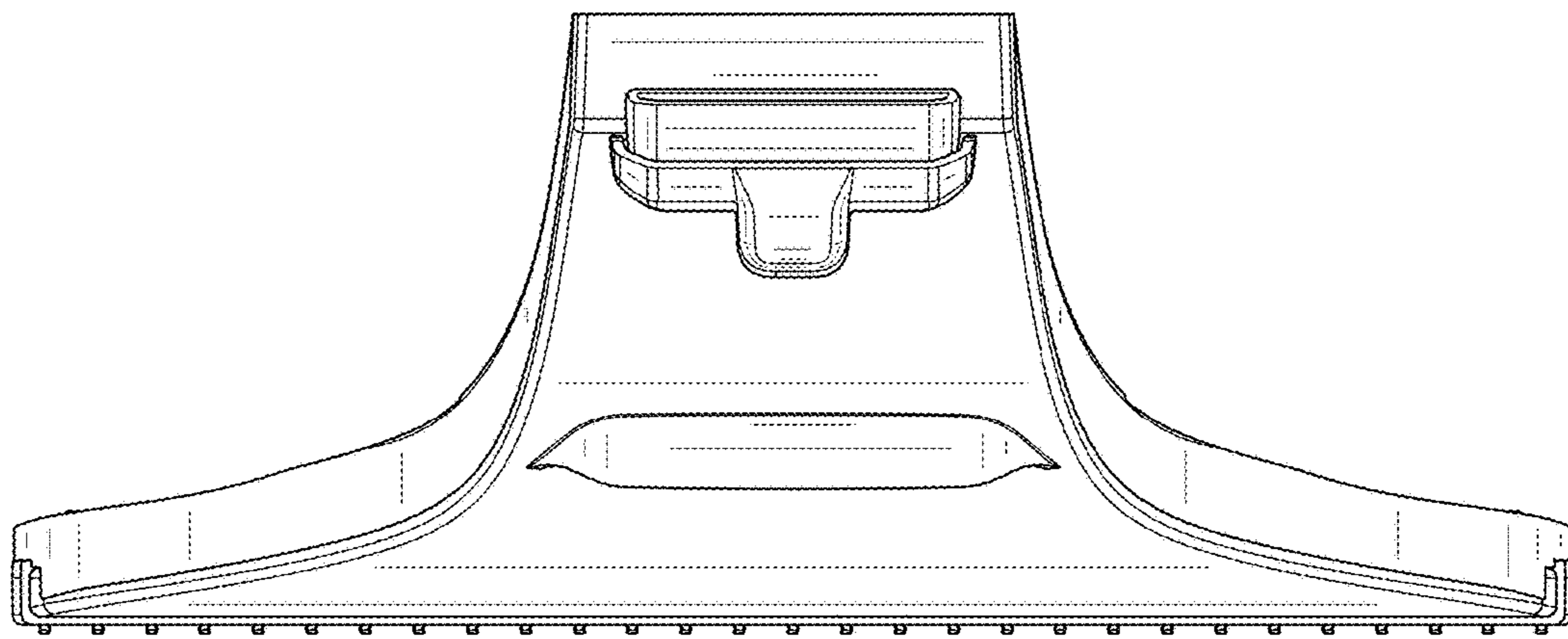


FIG. 6

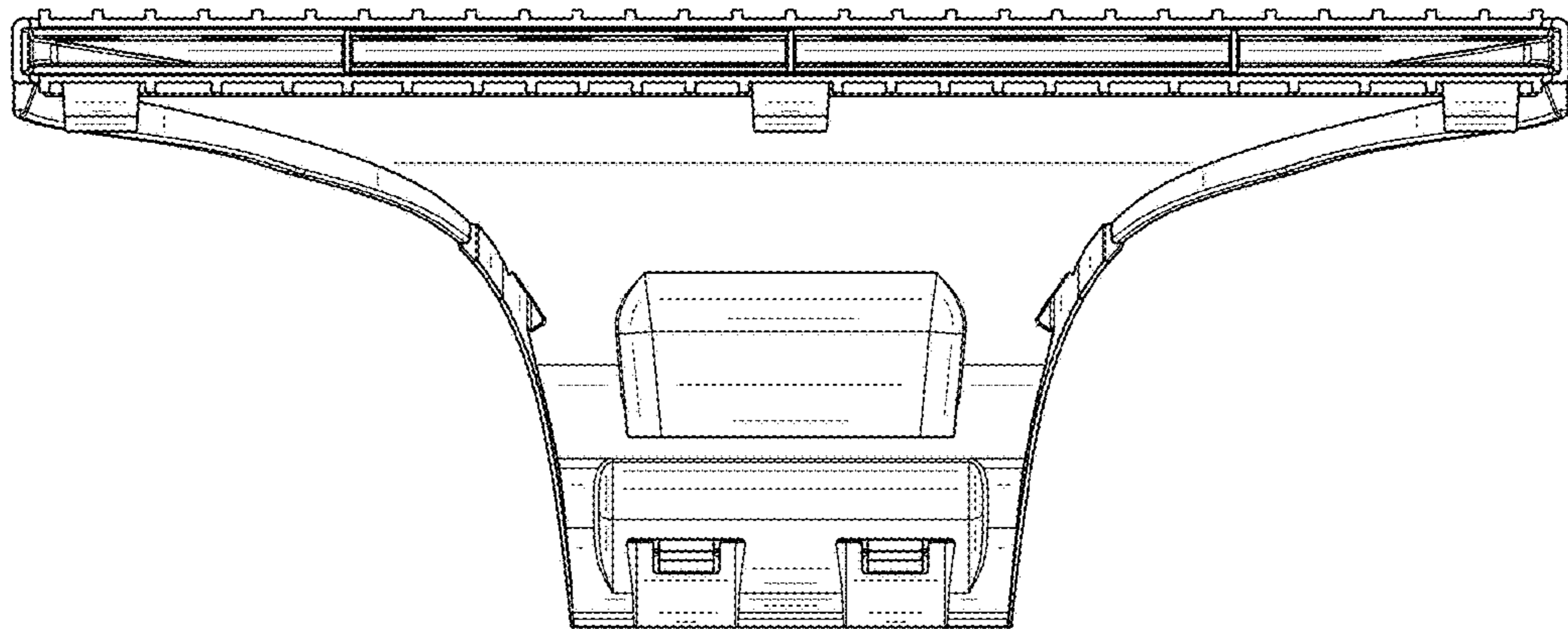


FIG. 7

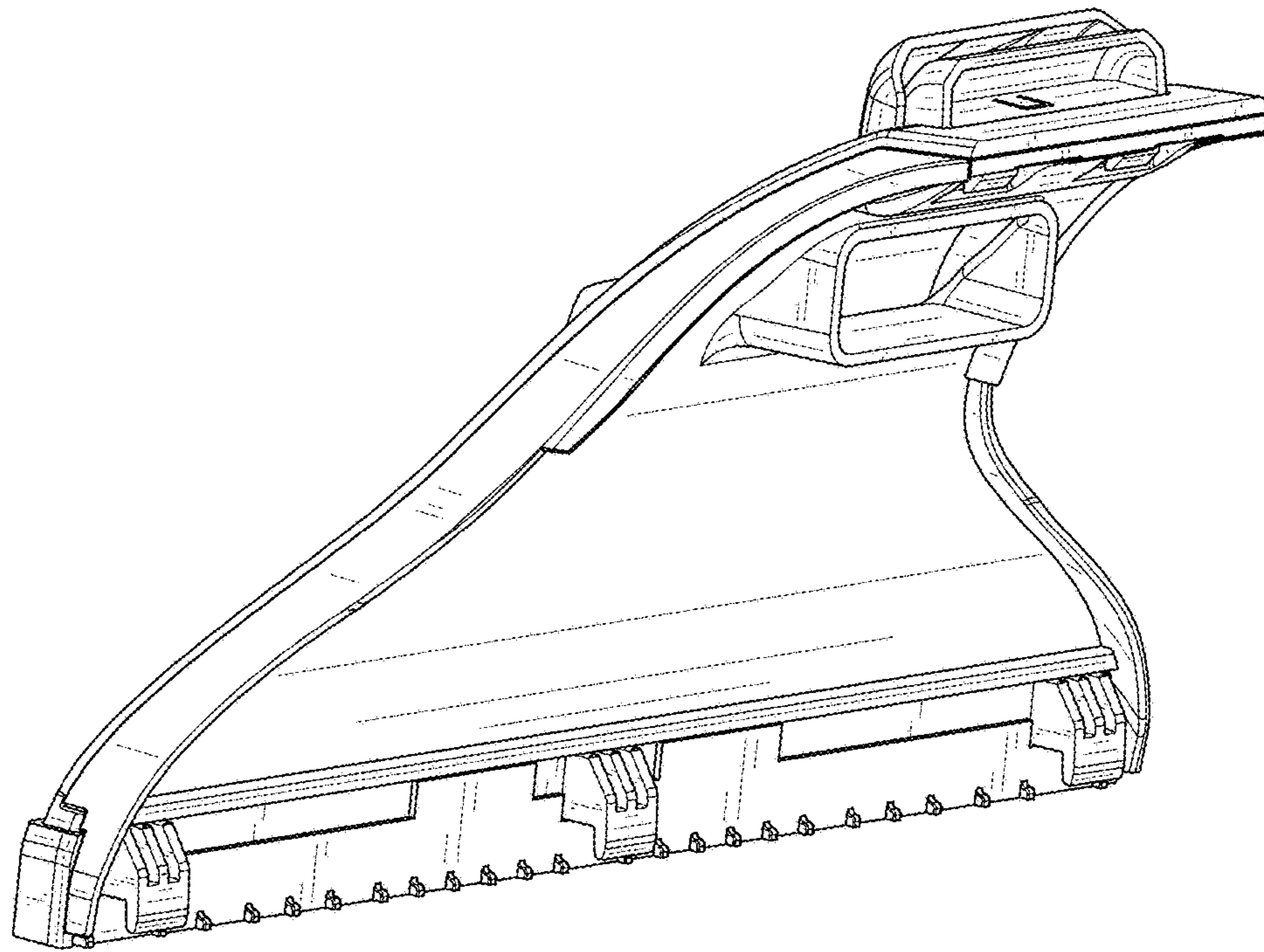


FIG. 8

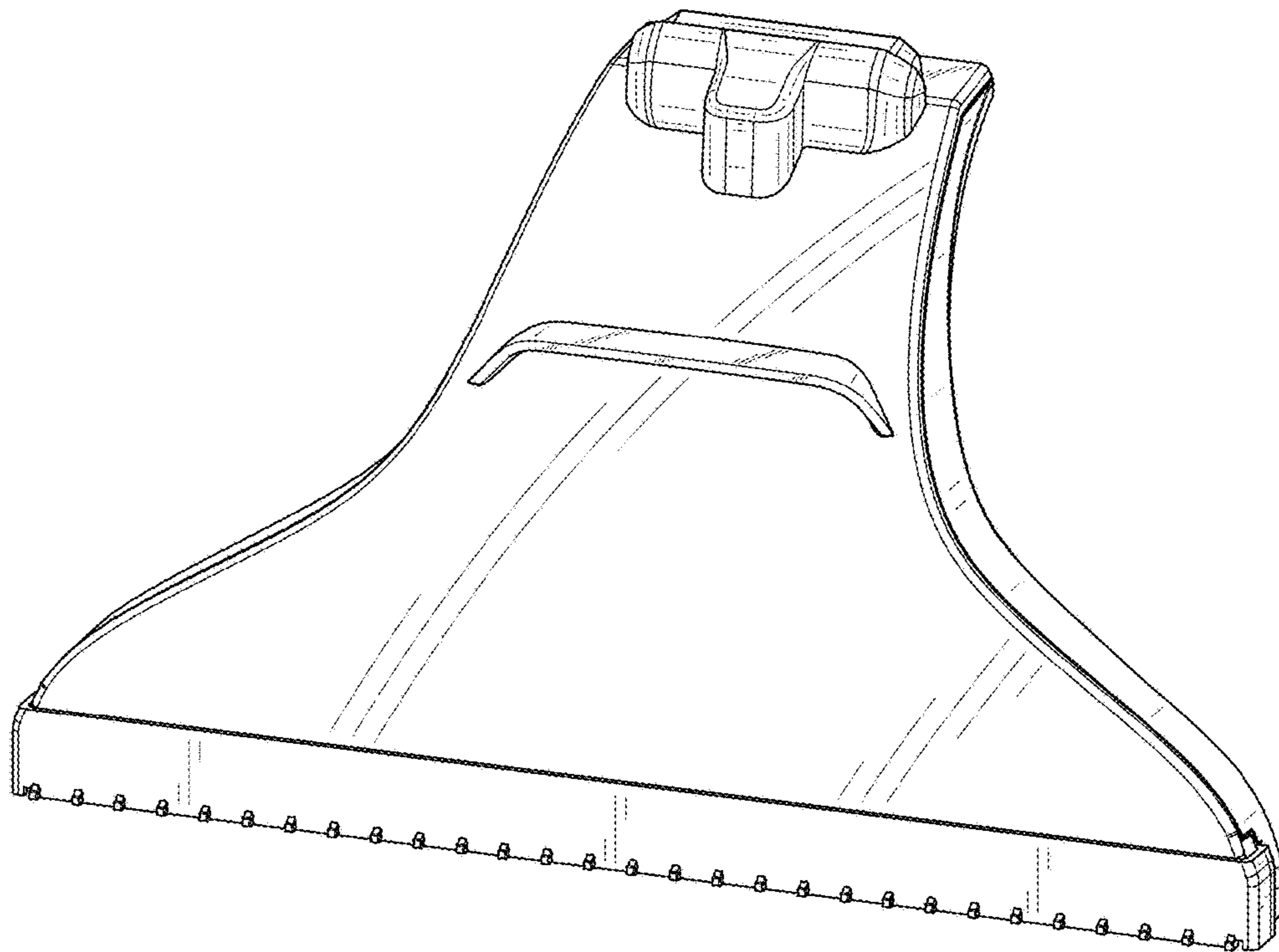


FIG. 9

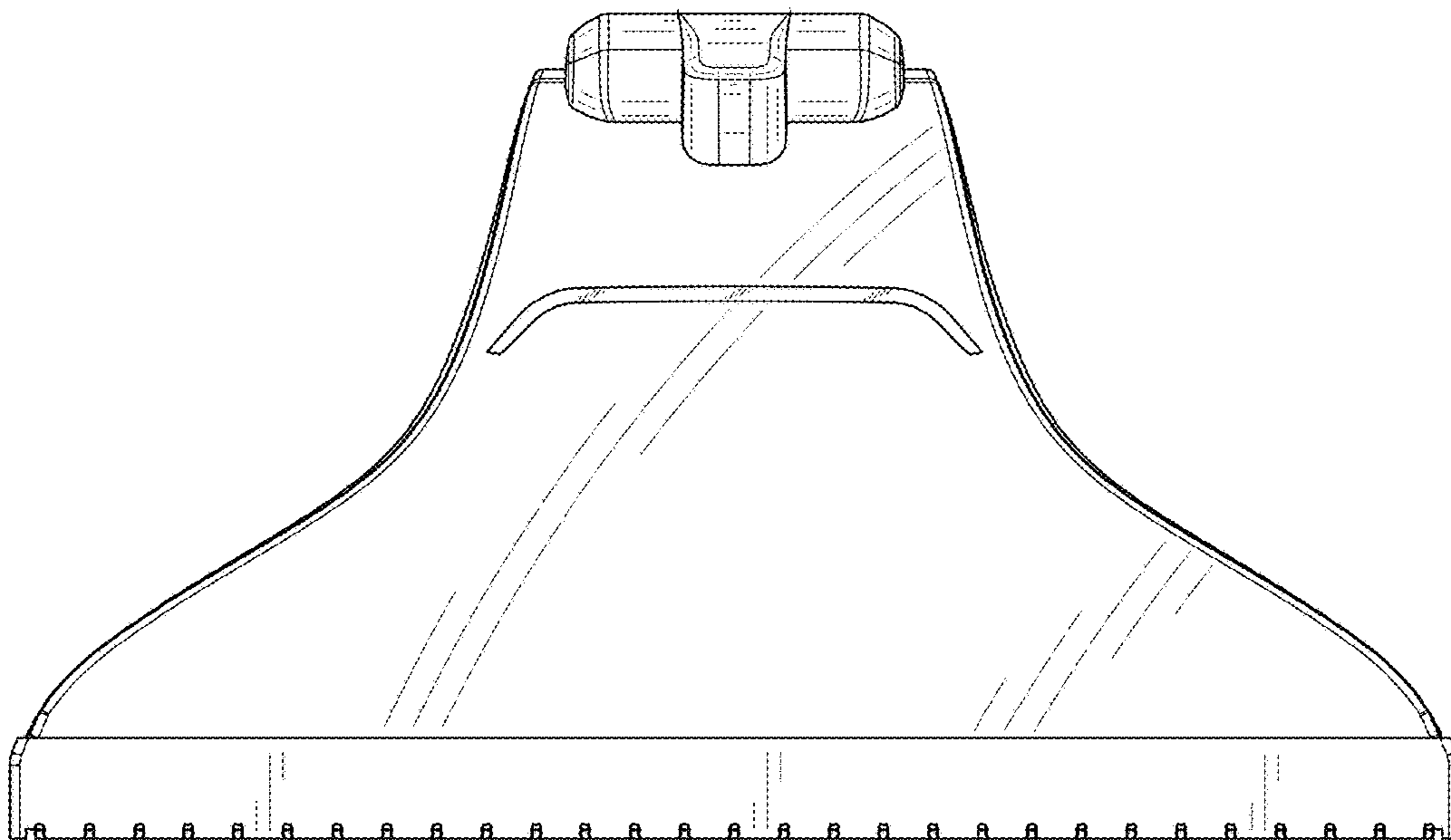


FIG. 10

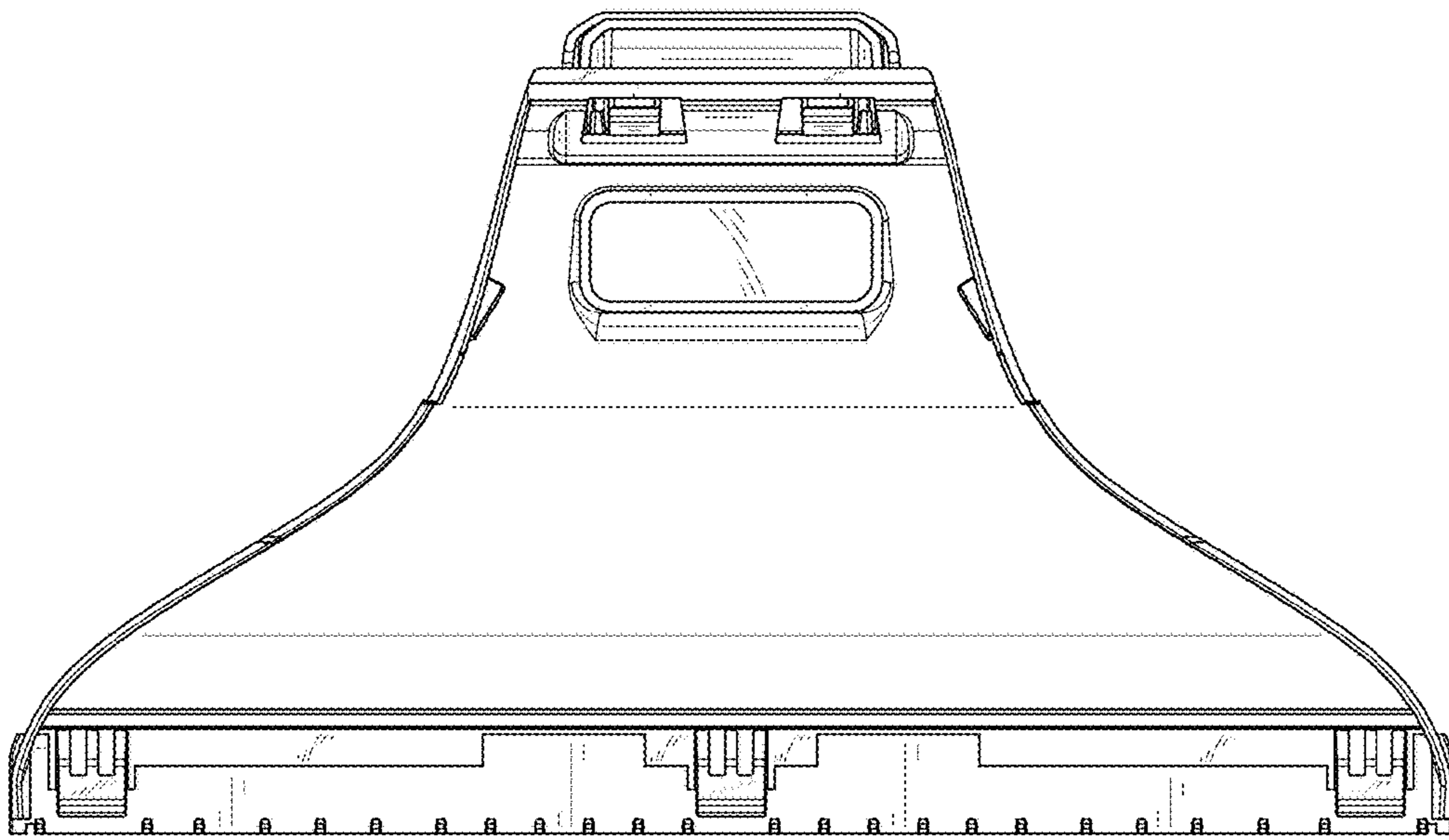


FIG. 11

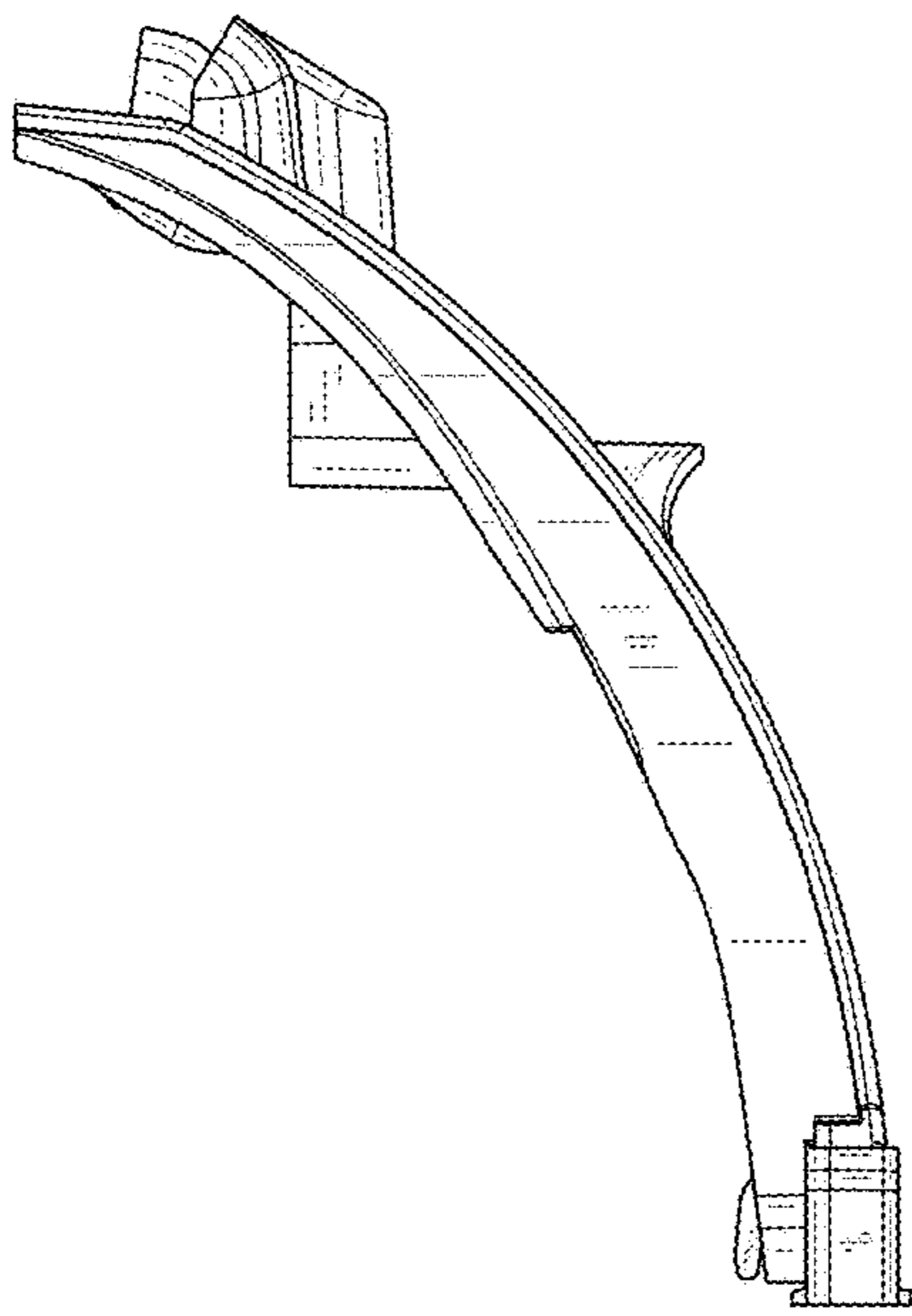


FIG. 12

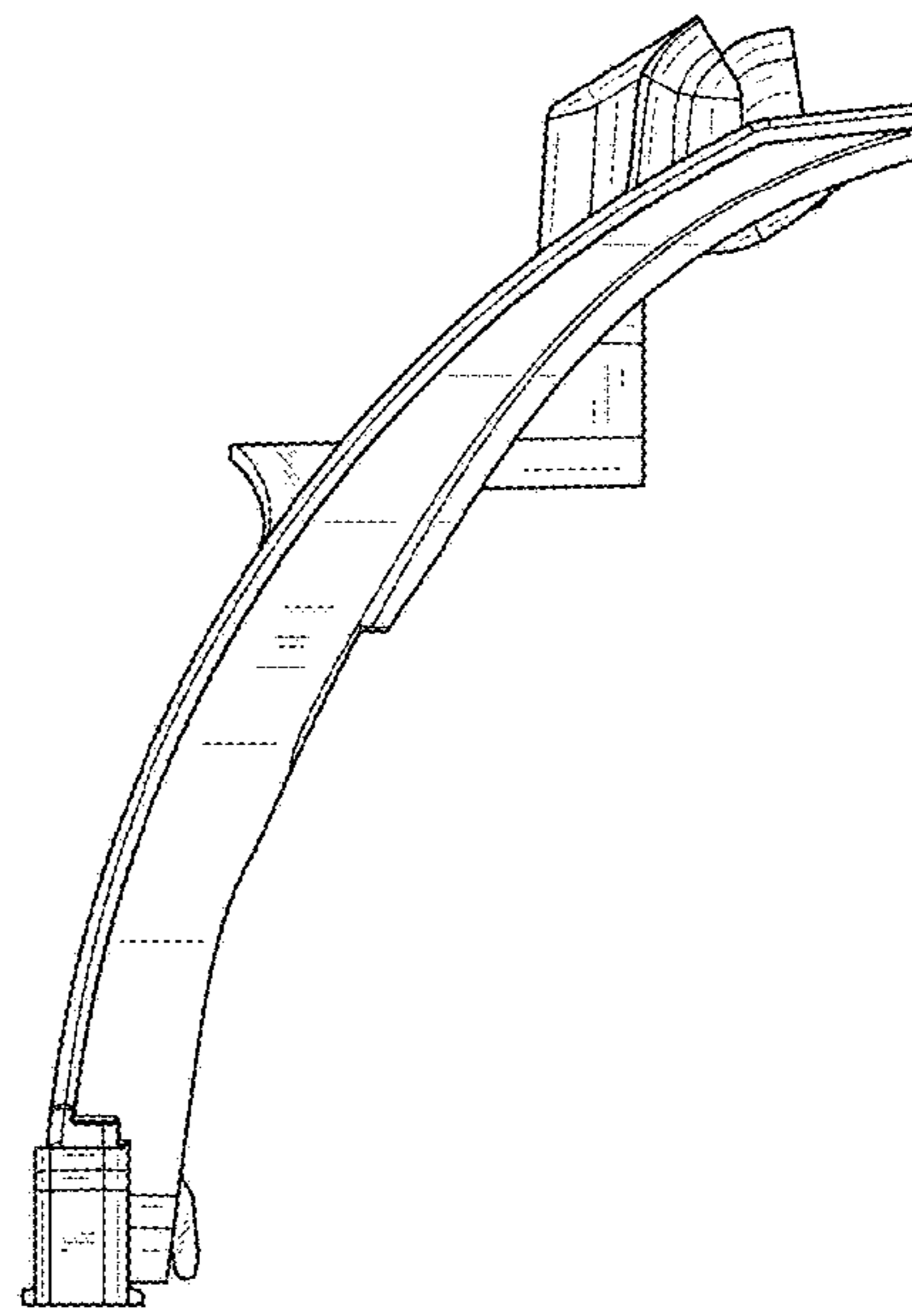


FIG. 13

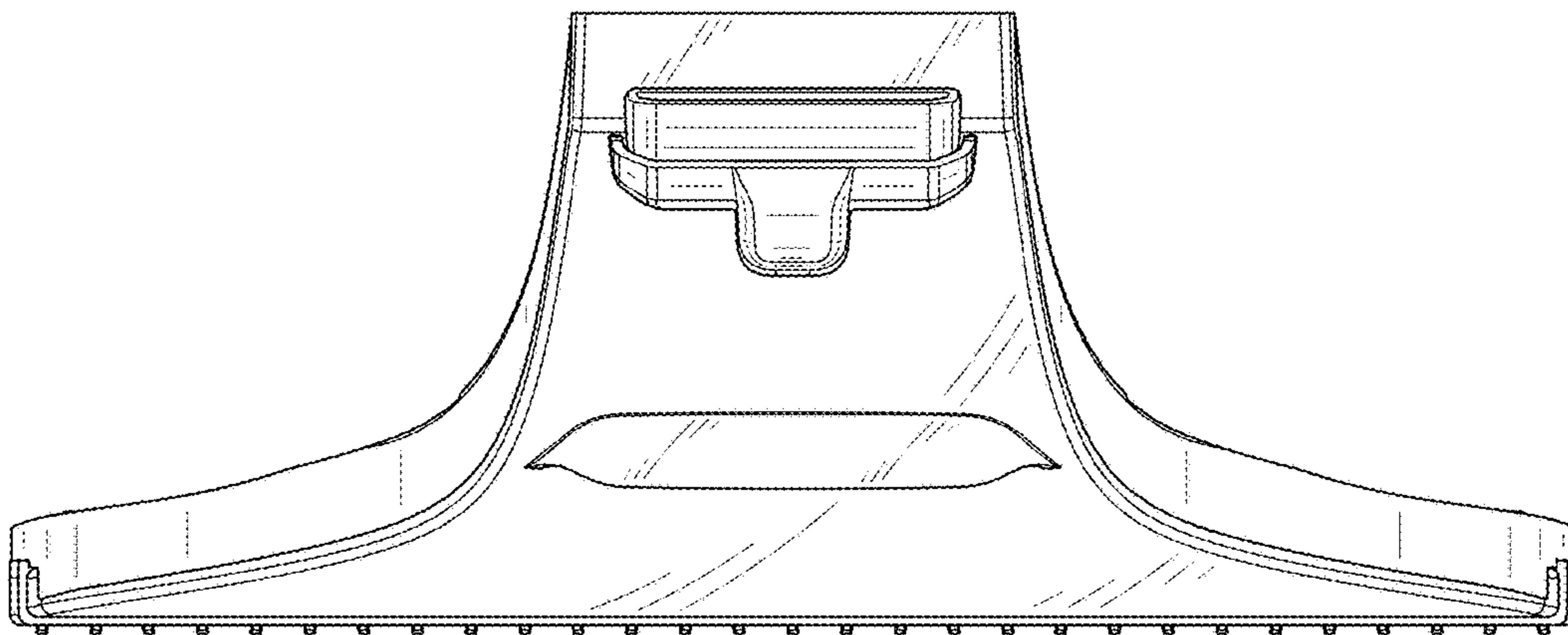


FIG. 14

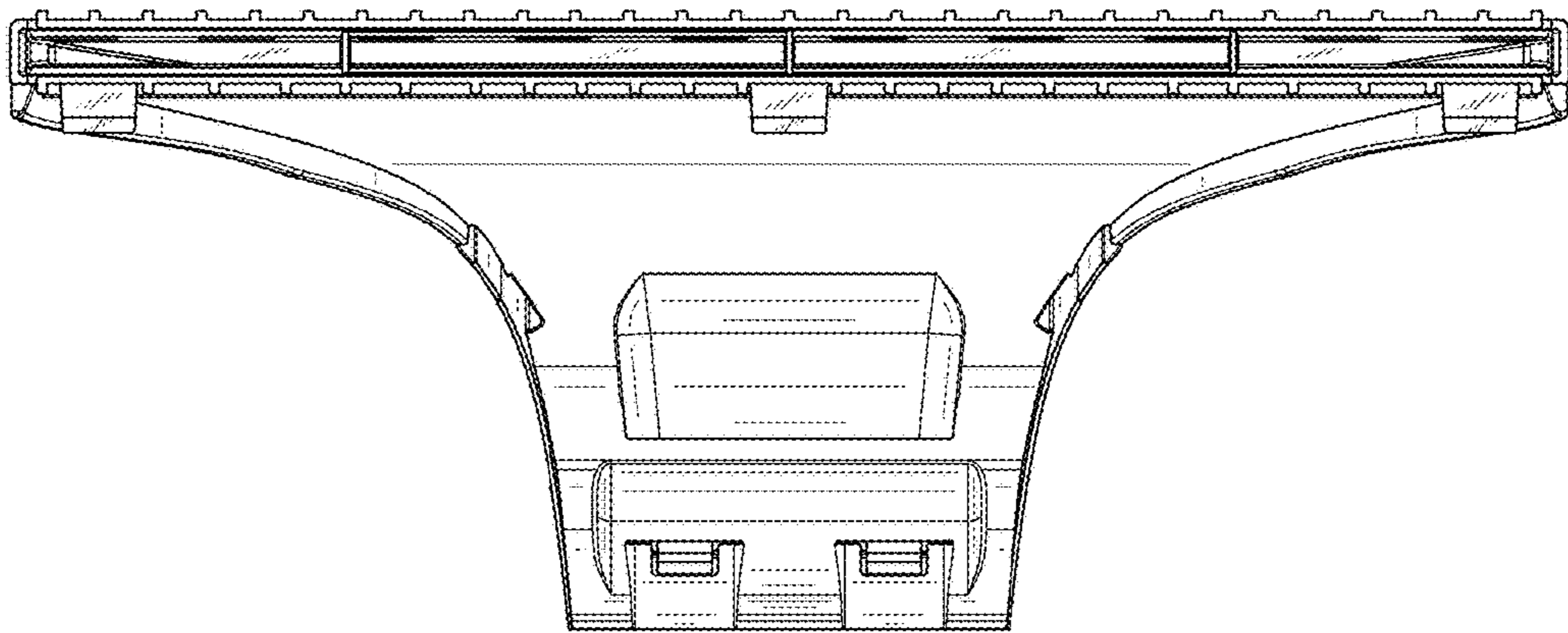


FIG. 15

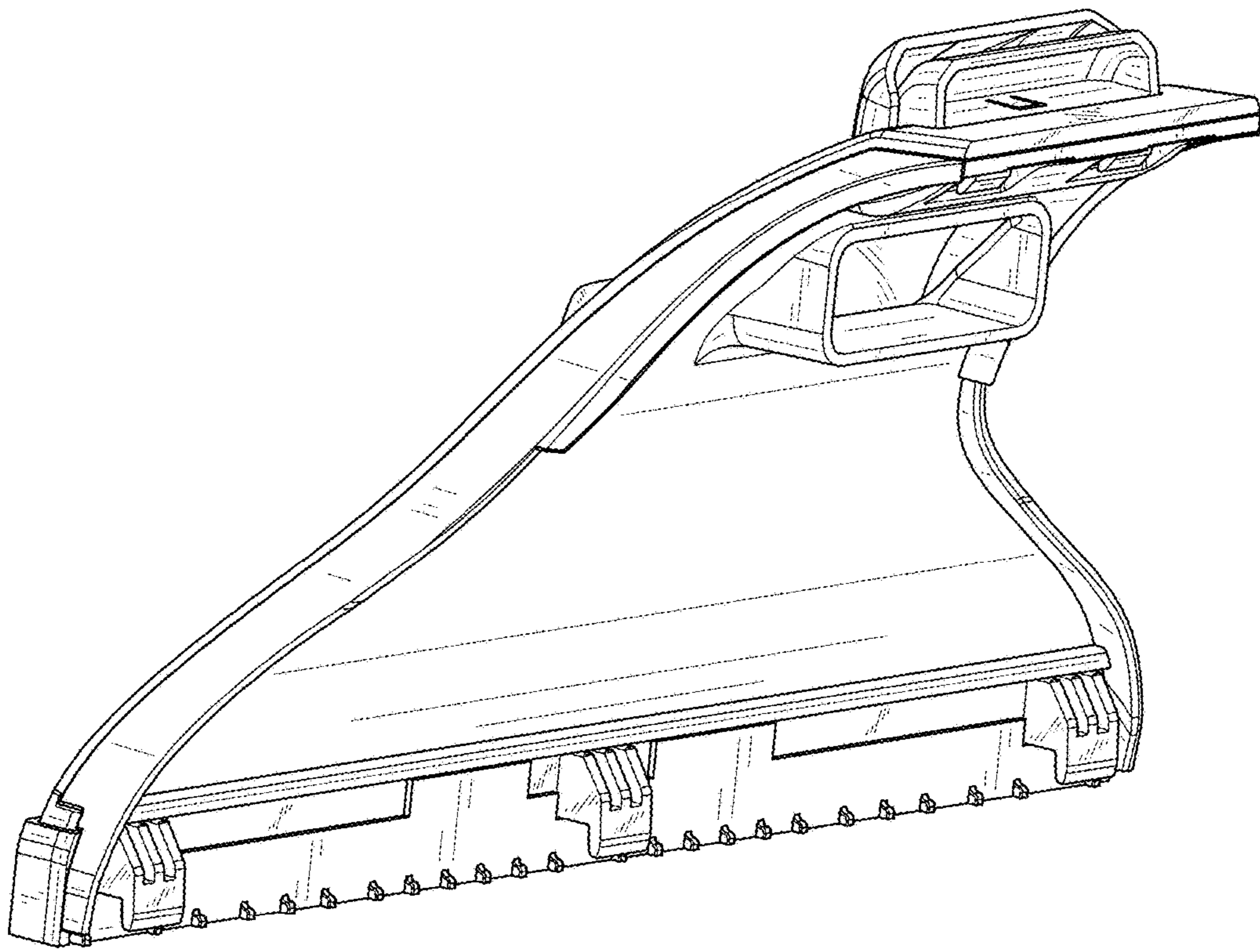


FIG. 16

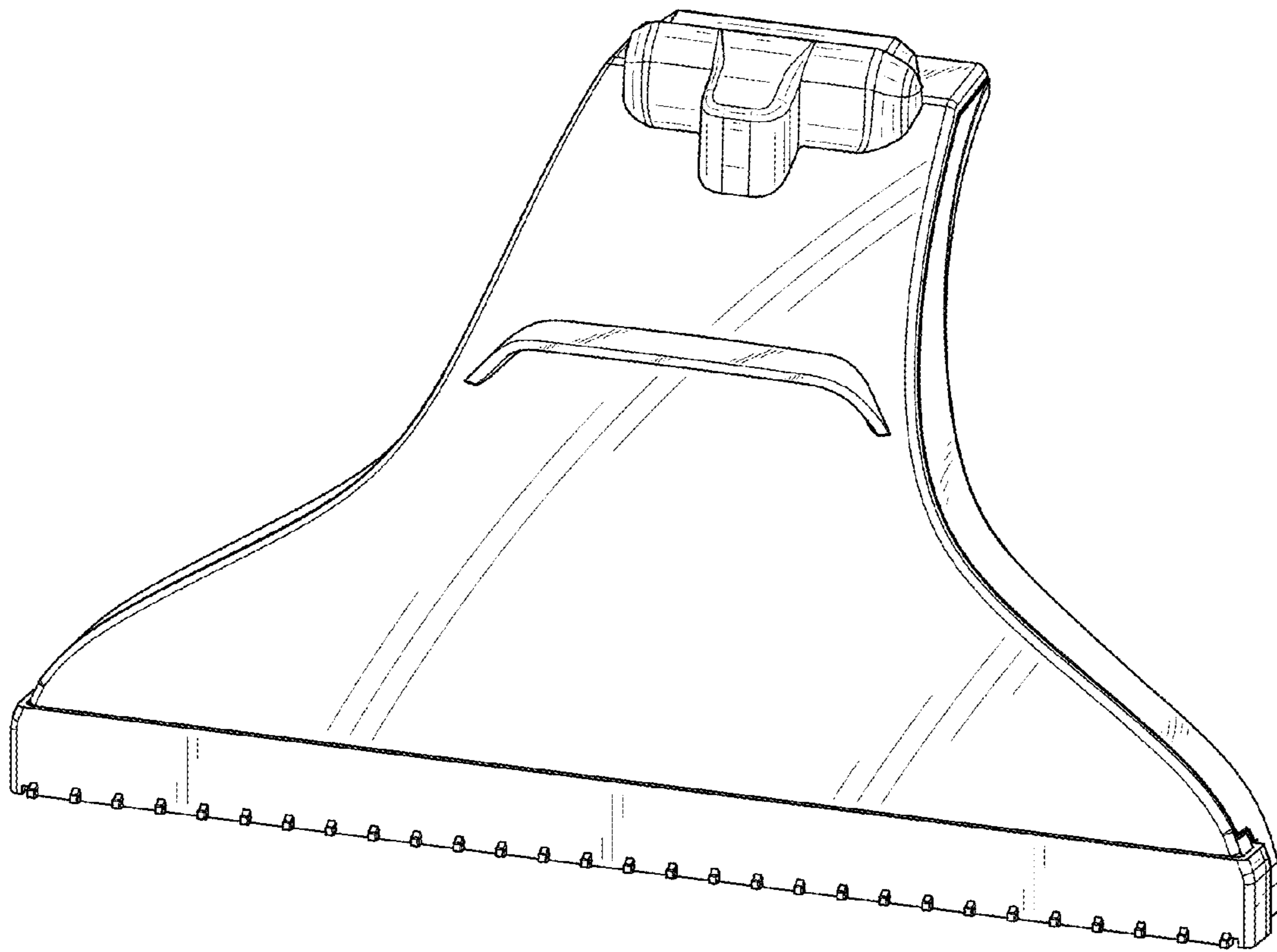


FIG. 17

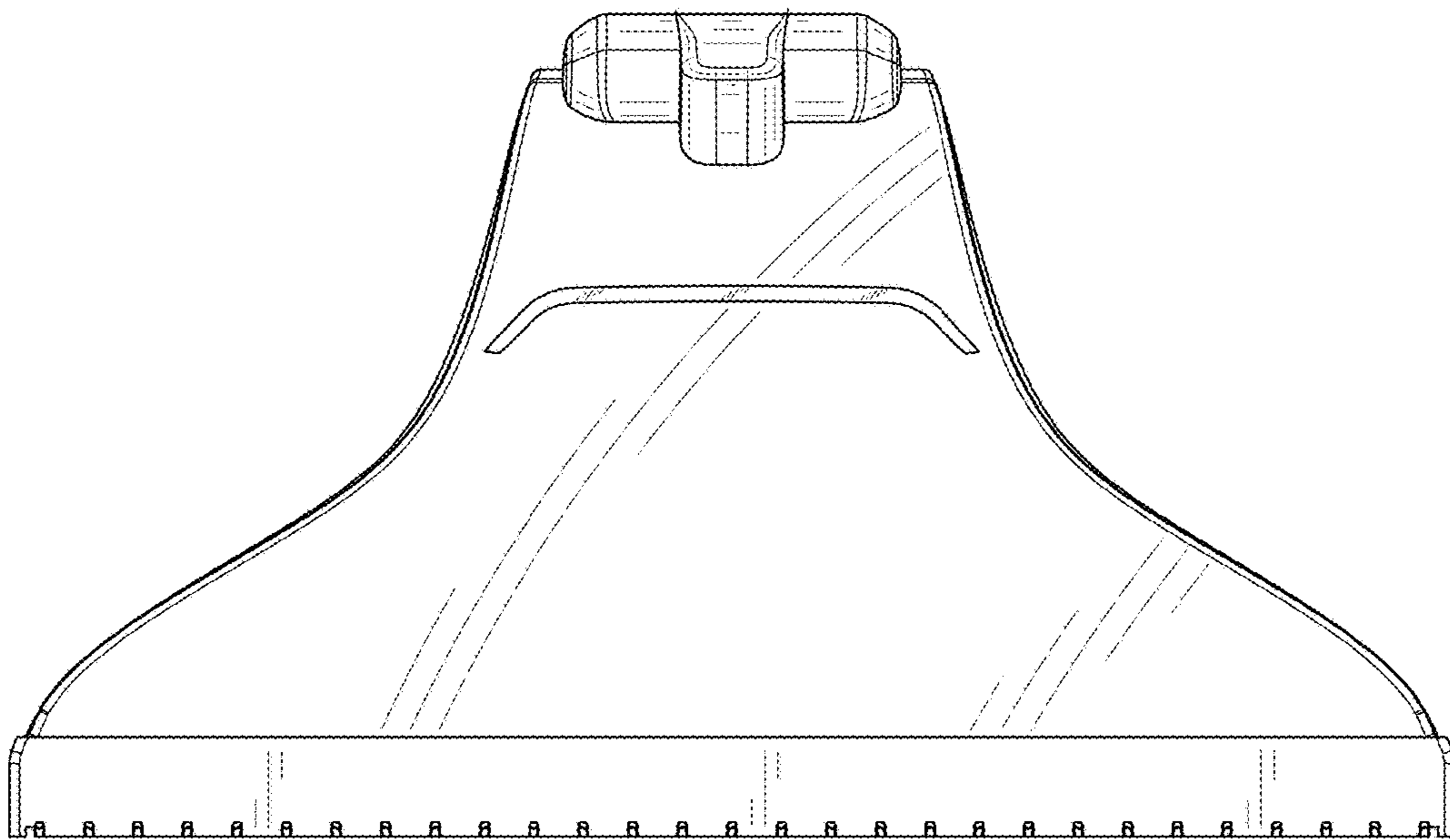


FIG. 18

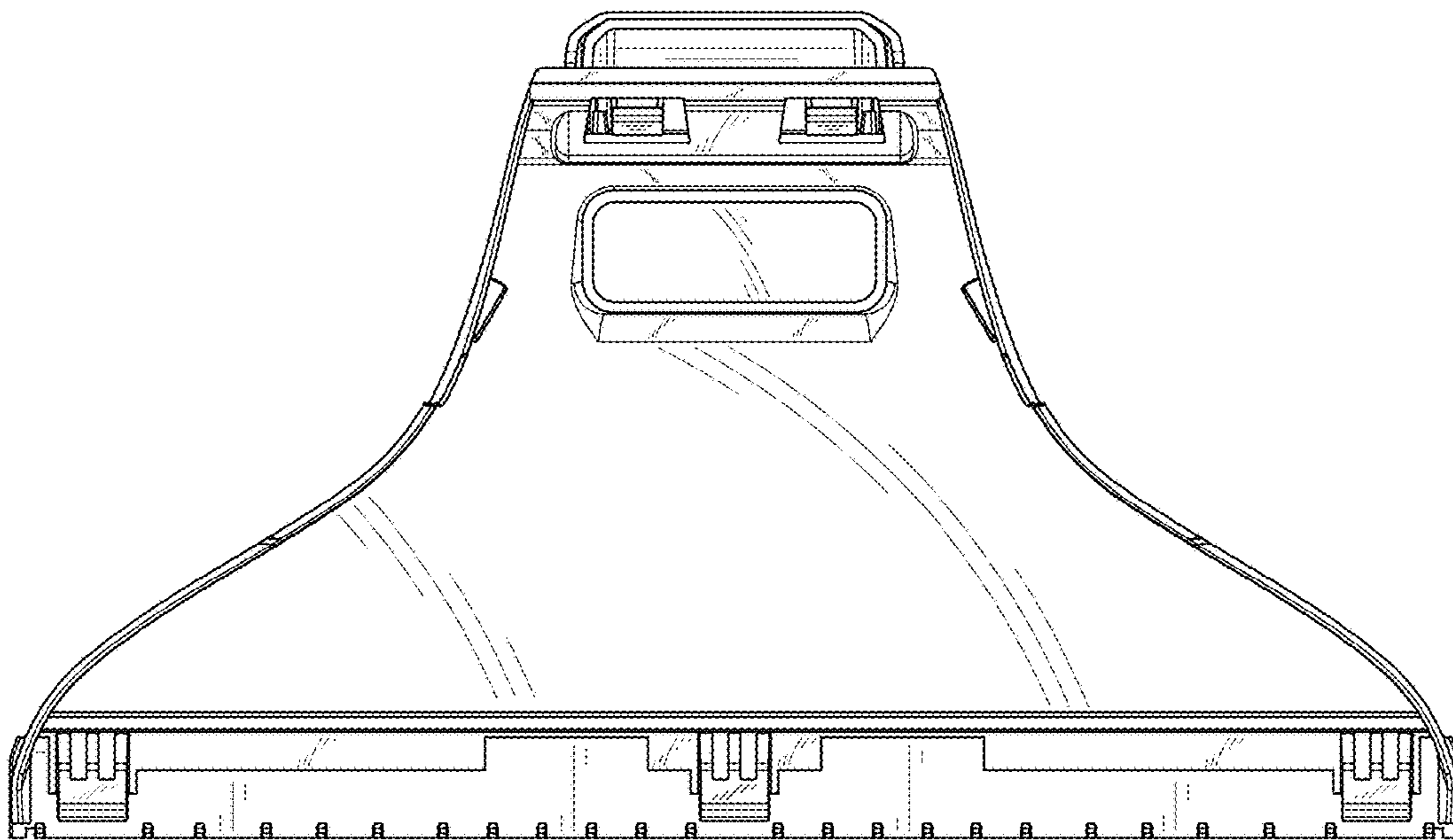


FIG. 19

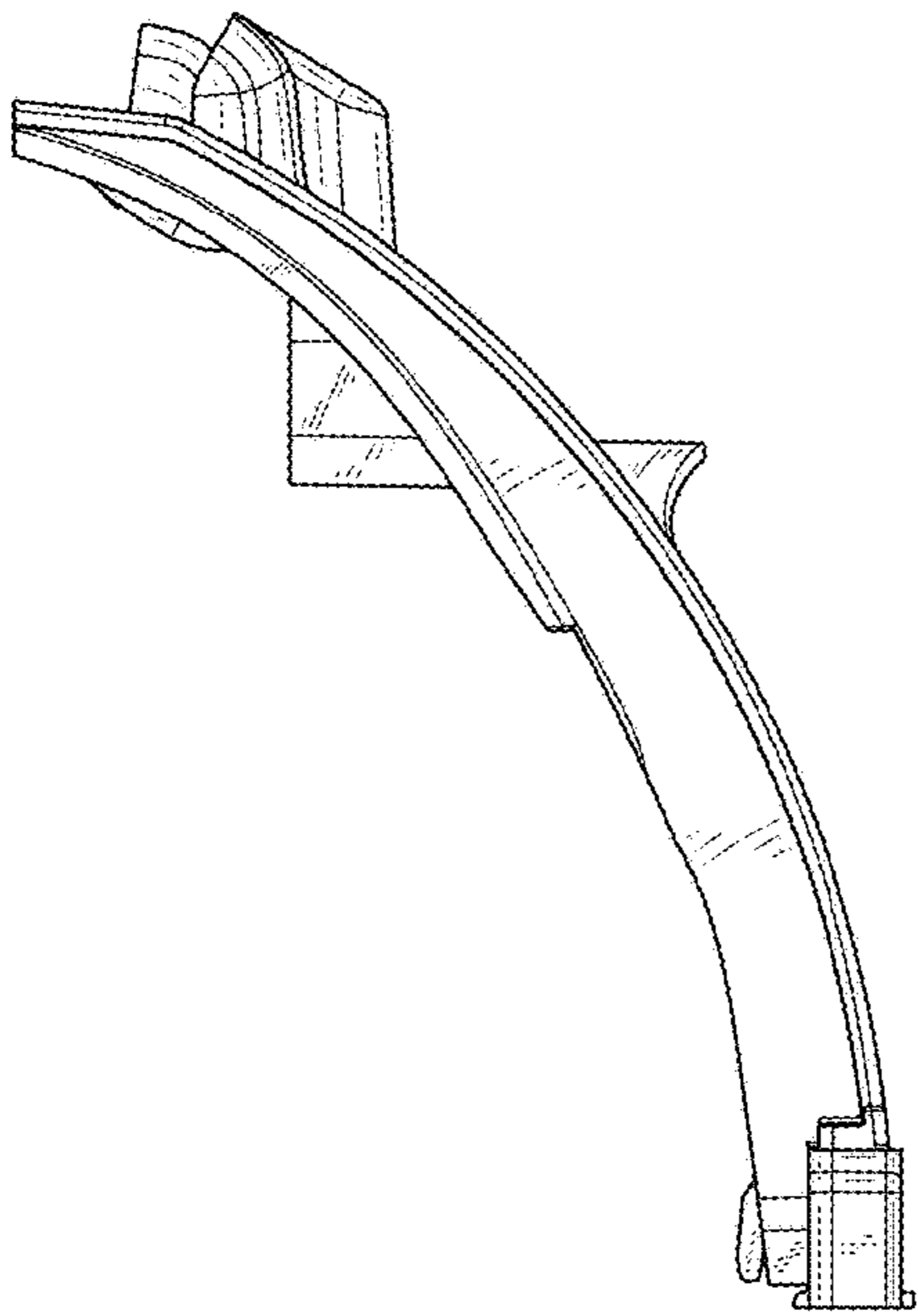


FIG. 20

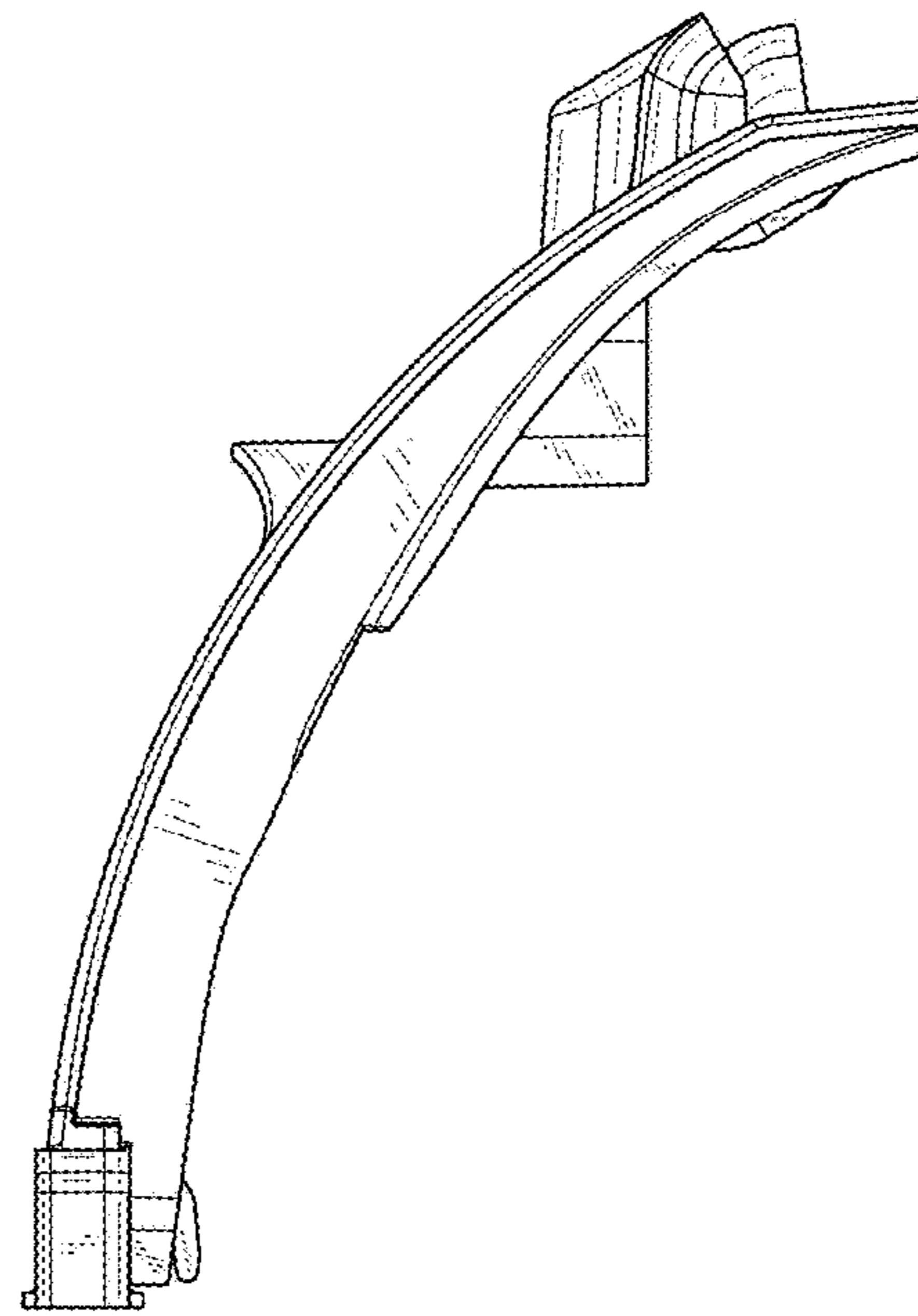


FIG. 21

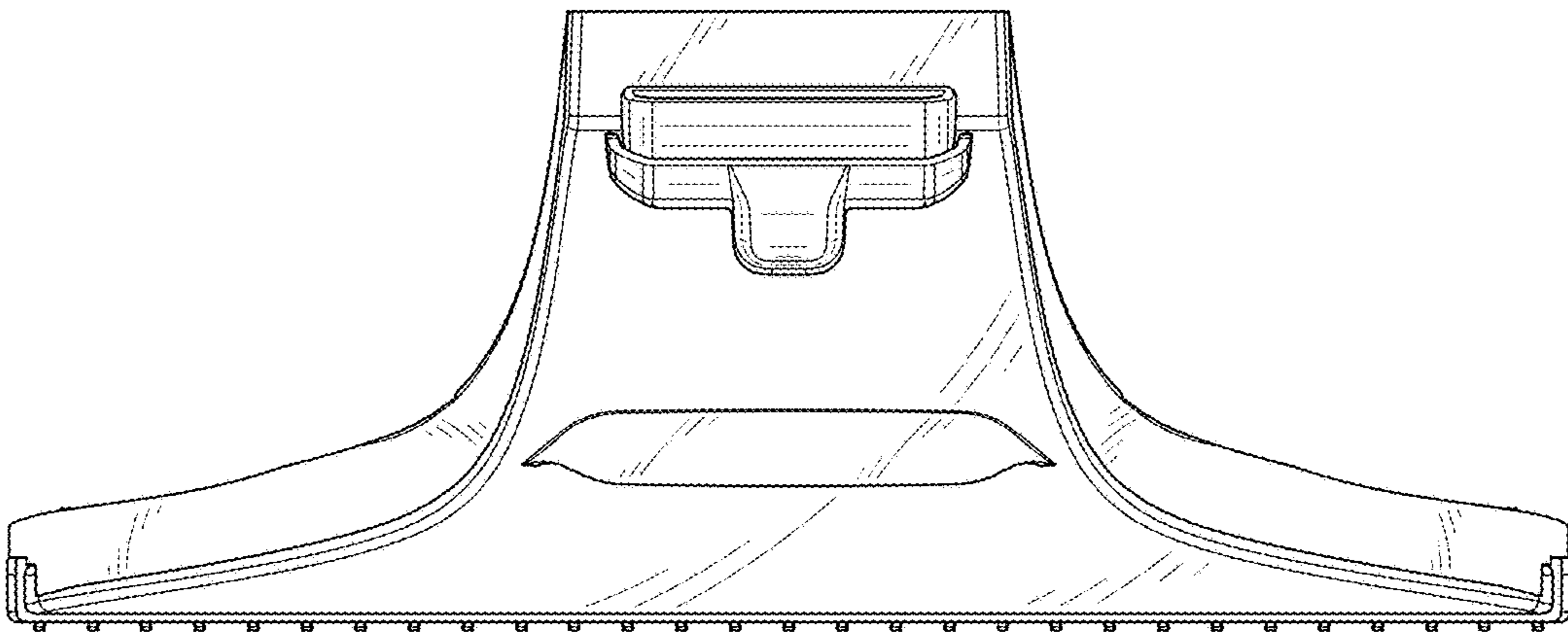


FIG. 22

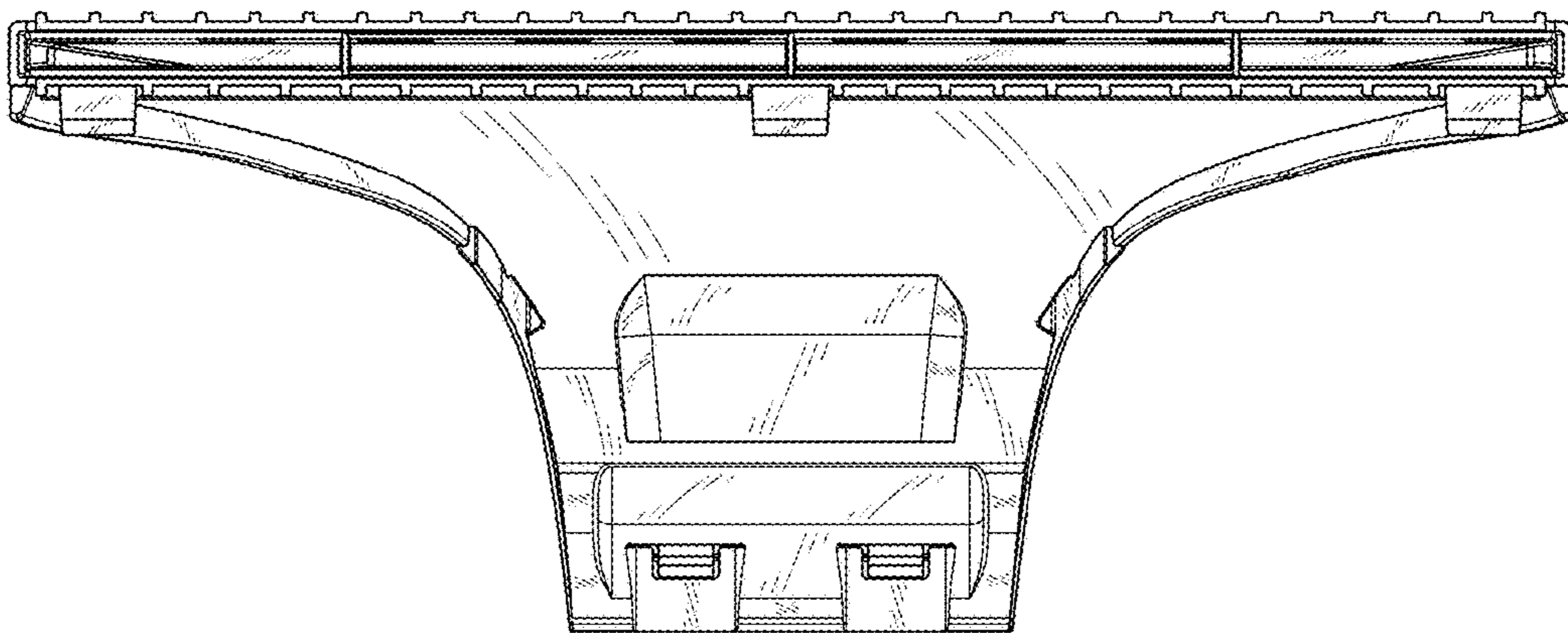


FIG. 23

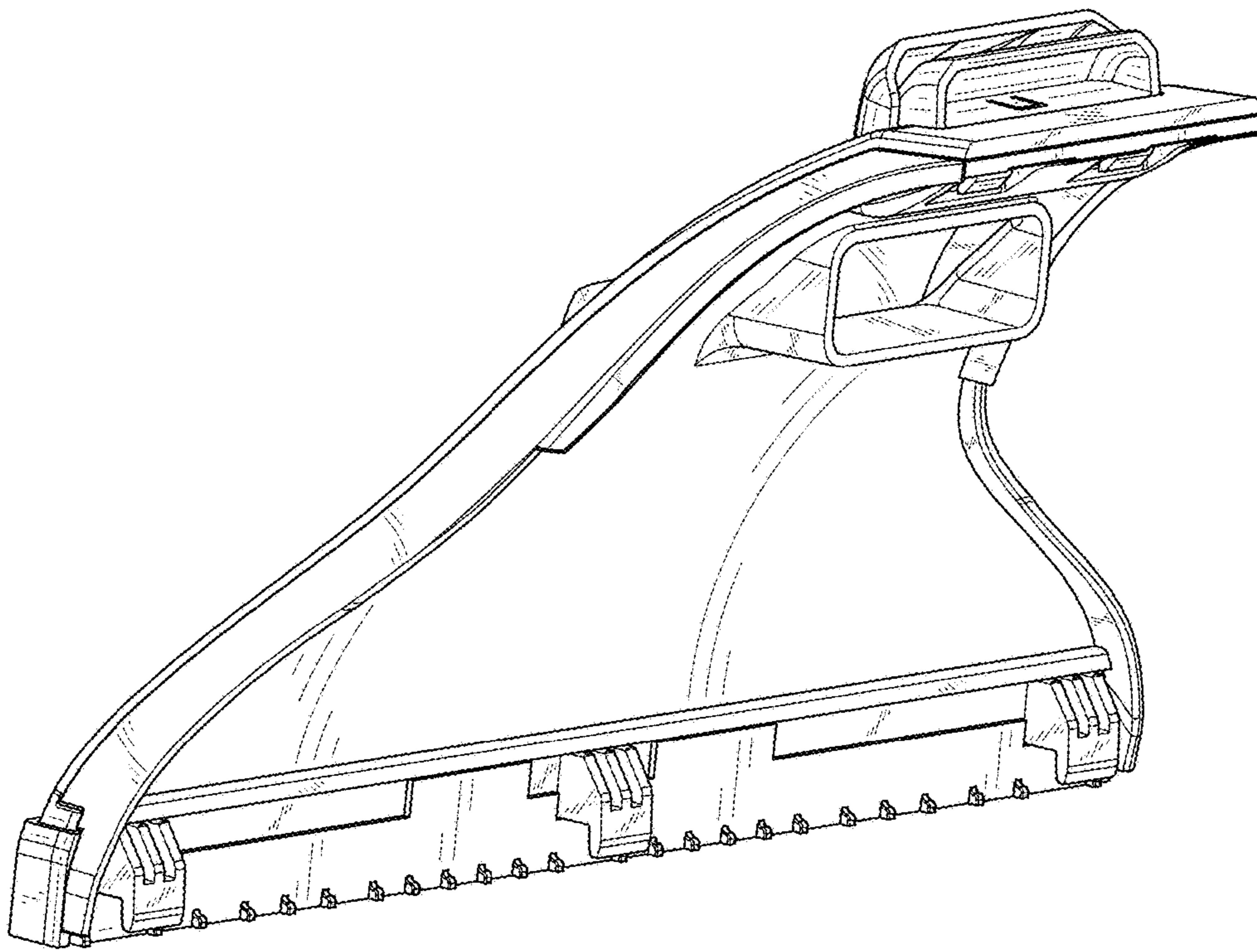


FIG. 24