



US00D869110S

(12) **United States Design Patent**  
**Zhang**

(10) **Patent No.:** **US D869,110 S**  
(45) **Date of Patent:** **\*\* Dec. 3, 2019**

(54) **DRYER COVER**

(71) Applicant: **Eryi Zhang**, Jiangxi (CN)

(72) Inventor: **Eryi Zhang**, Jiangxi (CN)

(\*\*) Term: **15 Years**

(21) Appl. No.: **29/618,576**

(22) Filed: **Sep. 21, 2017**

(51) **LOC (12) Cl.** ..... **15-05**

(52) **U.S. Cl.**  
USPC ..... **D32/25**

(58) **Field of Classification Search**  
USPC ..... D32/25; D6/610; 150/165; 68/196;  
135/143

CPC ..... D06F 39/00; D06F 39/12; B41J 29/13;  
A47C 29/006

See application file for complete search history.

(56) **References Cited**

**U.S. PATENT DOCUMENTS**

1,546,020	A *	7/1925	Nesbitt	.....	A47C 29/006
					135/143
1,863,130	A *	6/1932	Swaim	.....	B41J 29/13
					150/165
D119,513	S *	3/1940	Wolff	.....	D32/25
3,500,044	A *	3/1970	Treadway	.....	D06F 39/12
					68/196
6,457,334	B1 *	10/2002	Harker	.....	D06F 39/12
					150/165
D503,999	S *	4/2005	Arvizo	.....	D32/25
7,661,452	B1 *	2/2010	Krioukov	.....	D06F 39/00
					150/165

**OTHER PUBLICATIONS**

Dryer Saver Slip Cover posted by Dragon Wave posted date Feb. 15, 2015, © Amazon, [online], [site visited Jan. 24, 2019]. Available

from Internet, [https://www.amazon.com/Dryer-Access-BASKETS-available-colors/dp/B00TO57HSU/ref=sr\\_1\\_16?ie=UTF8&qid=1548375640&sr=8-16&keywords=dryer+cover](https://www.amazon.com/Dryer-Access-BASKETS-available-colors/dp/B00TO57HSU/ref=sr_1_16?ie=UTF8&qid=1548375640&sr=8-16&keywords=dryer+cover) (Year: 2015).\*  
Washer Cover posted by BESTOMZ posted date May 9, 2017, © Amazon, [online], [site visited Jan. 24, 2019]. Available from Internet, <https://www.amazon.com/BESTOMZ-Washing-Machine-Zippered> (Year: 2017).\*  
Washer Dryer Cover posted by US Cargo Control posted date Mar. 10, 2011, © Amazon, [online], [site visited Jan. 24, 2019]. Available from Internet, <https://www.amazon.com/Washer-Dryer-Stove-Cover-Furniture/> (Year: 2011).\*  
Washer Dryer Cover posted by Mr. You posted date Jun. 22, 2017, © Amazon, [online], [site visited Jan. 24, 2019]. Available from Internet, <https://www.amazon.com/Mr-You-waterproof-dustproof-Sunscreen-W29D28H40in/dp/B07334Z5LS> (Year: 2017).\*

\* cited by examiner

*Primary Examiner* — Garth Rademaker  
*Assistant Examiner* — Laura H Yu

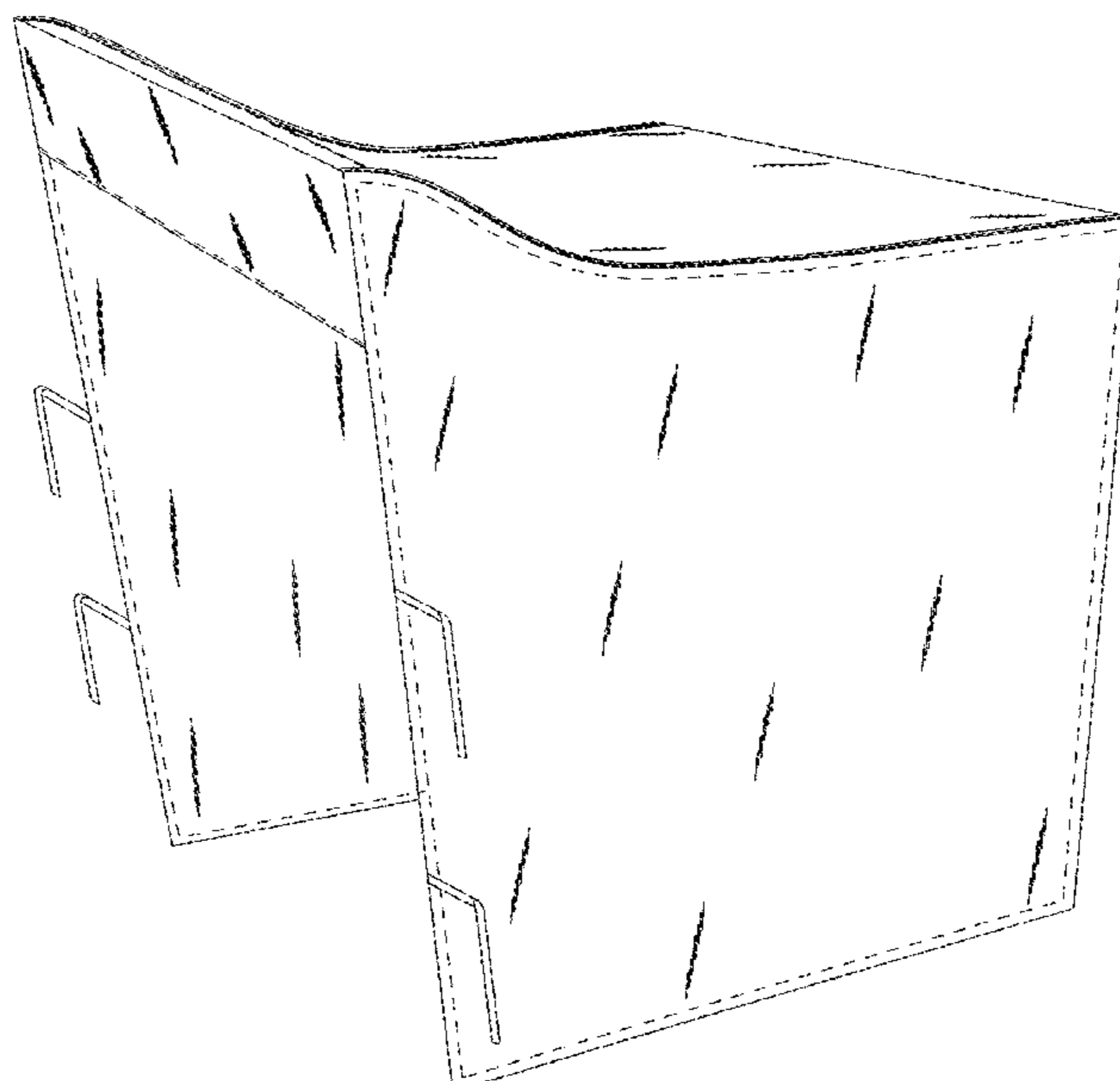
(57) **CLAIM**

I claim the ornamental design for a dryer cover, as shown and described.

**DESCRIPTION**

FIG. 1 is a perspective view of a dryer cover showing my new design;  
FIG. 2 is a front elevational view thereof;  
FIG. 3 is a rear elevational view thereof;  
FIG. 4 is a left side elevational view thereof;  
FIG. 5 is a right side elevational view thereof;  
FIG. 6 is a top plan view thereof; and,  
FIG. 7 is a bottom plan view thereof.  
The broken lines shown in drawings are for the purpose of illustrating portions of the dryer cover that form no part of the claimed design.

**1 Claim, 7 Drawing Sheets**



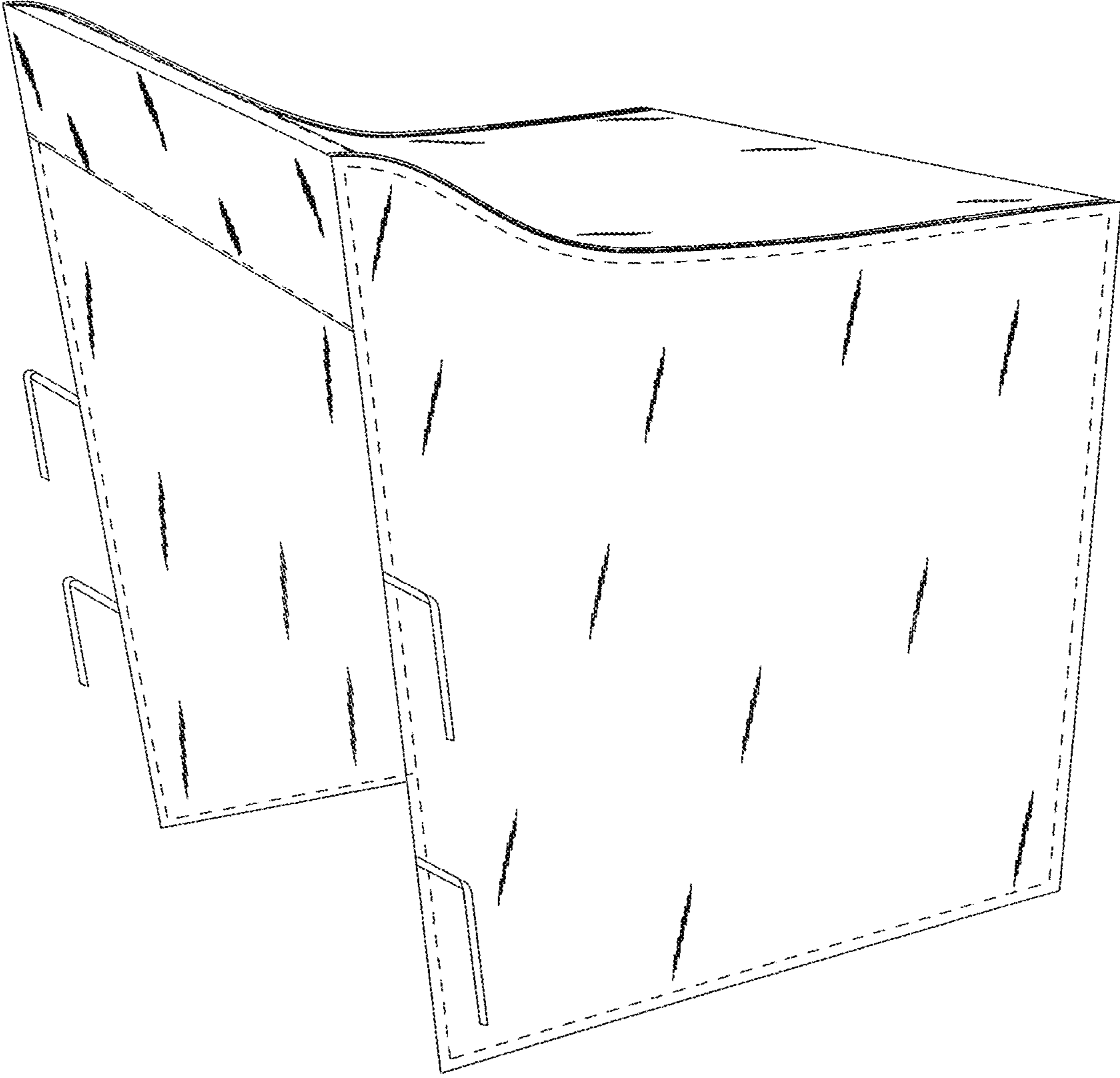


FIG. 1

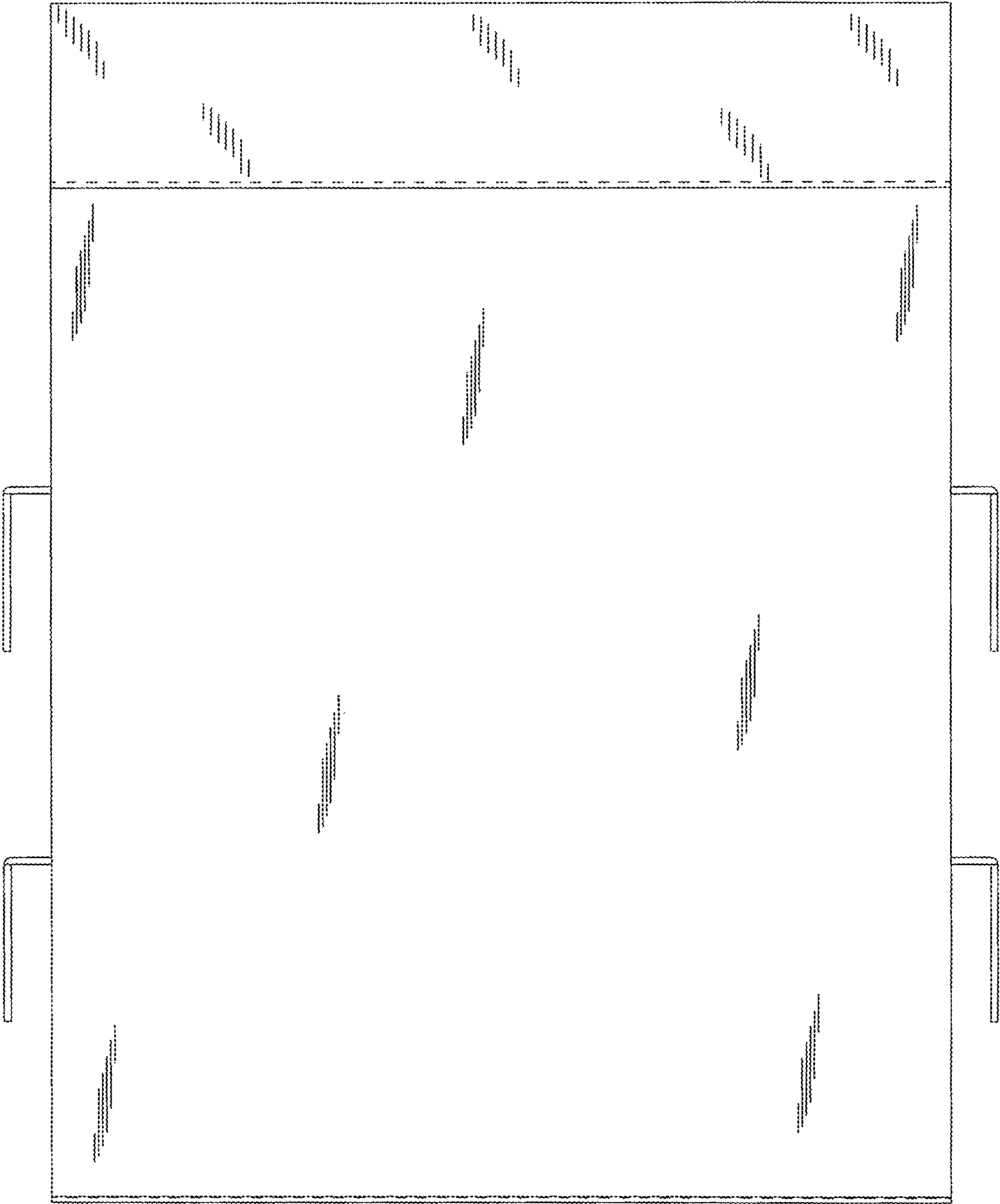


FIG. 2

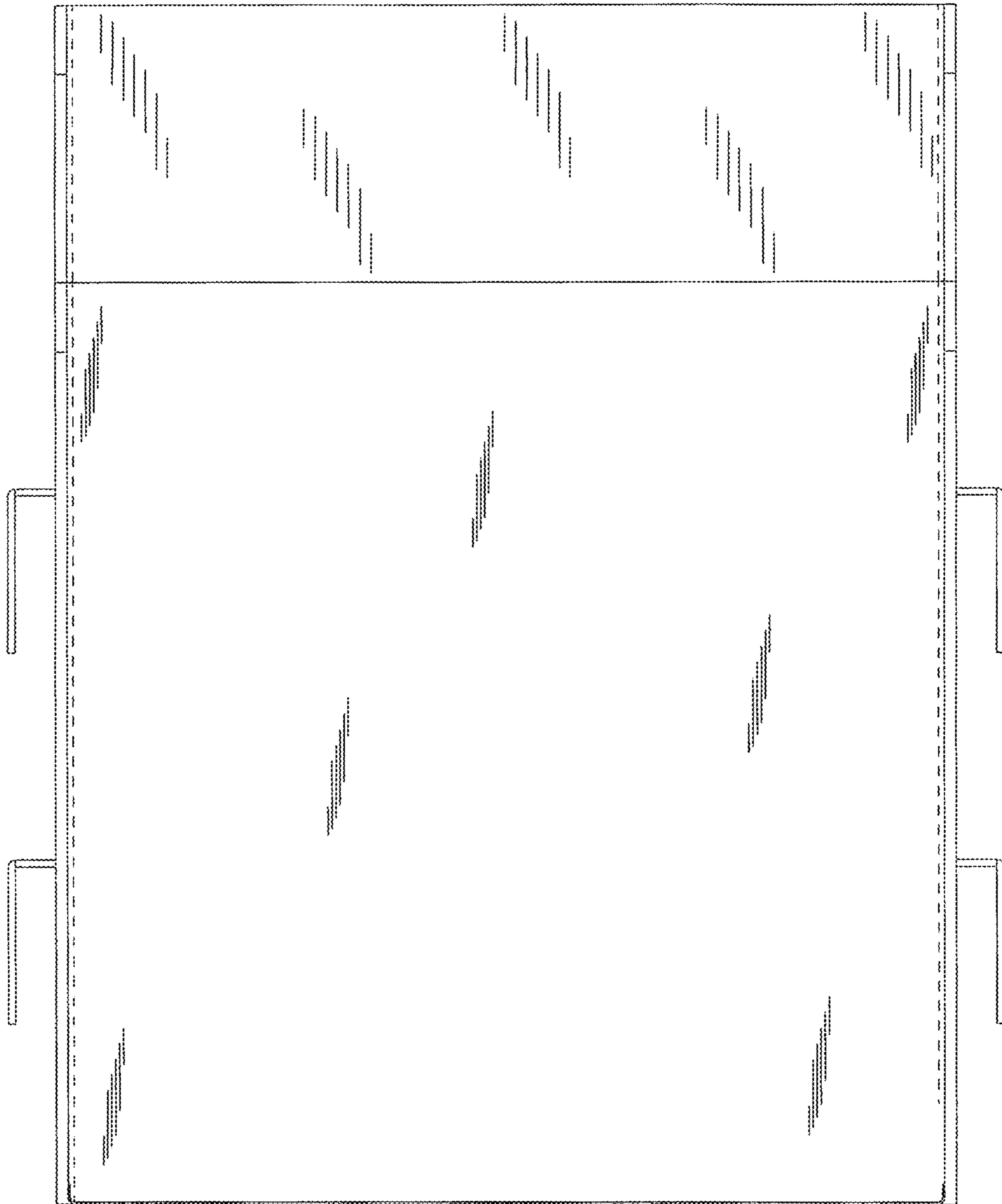


FIG. 3

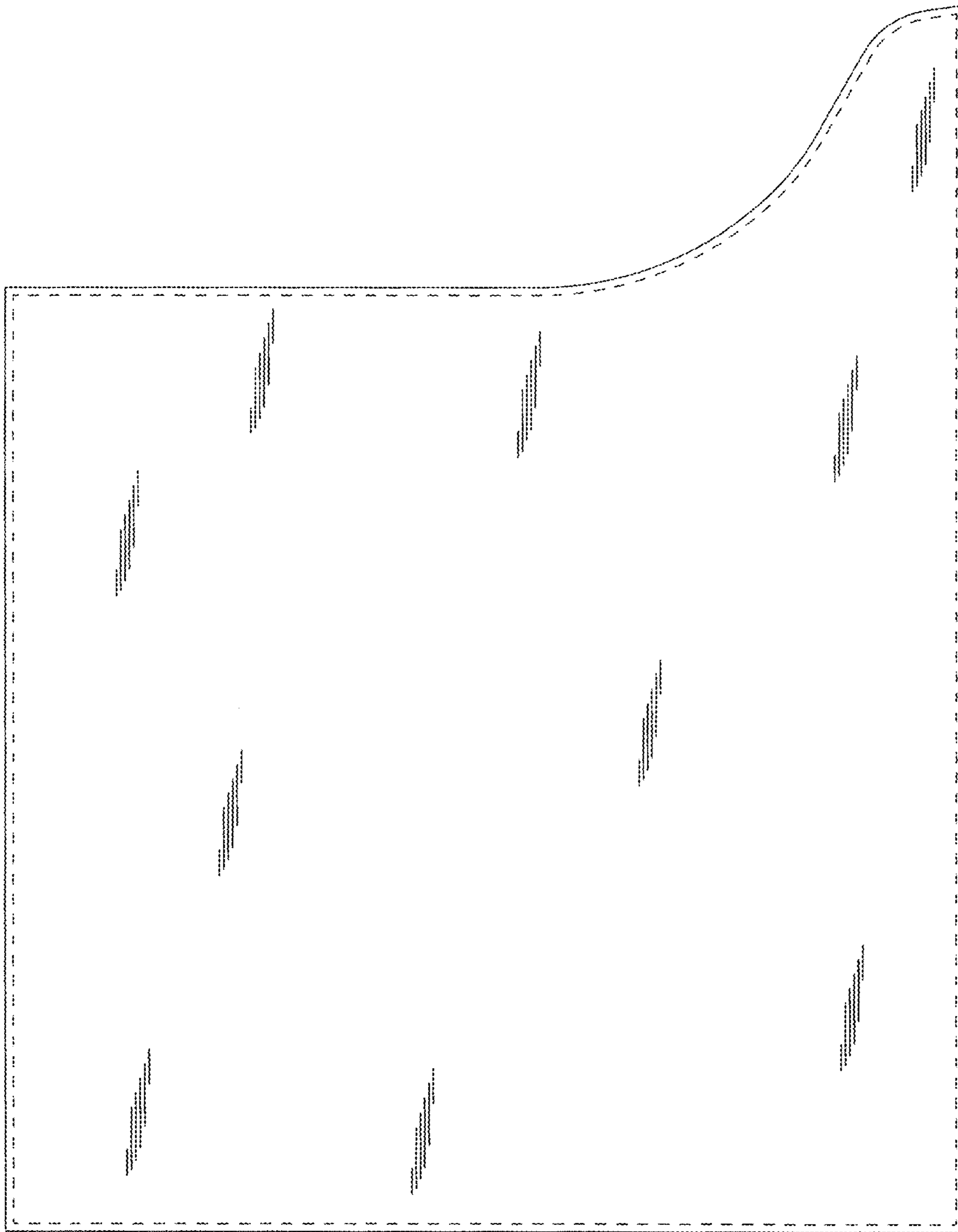


FIG. 4

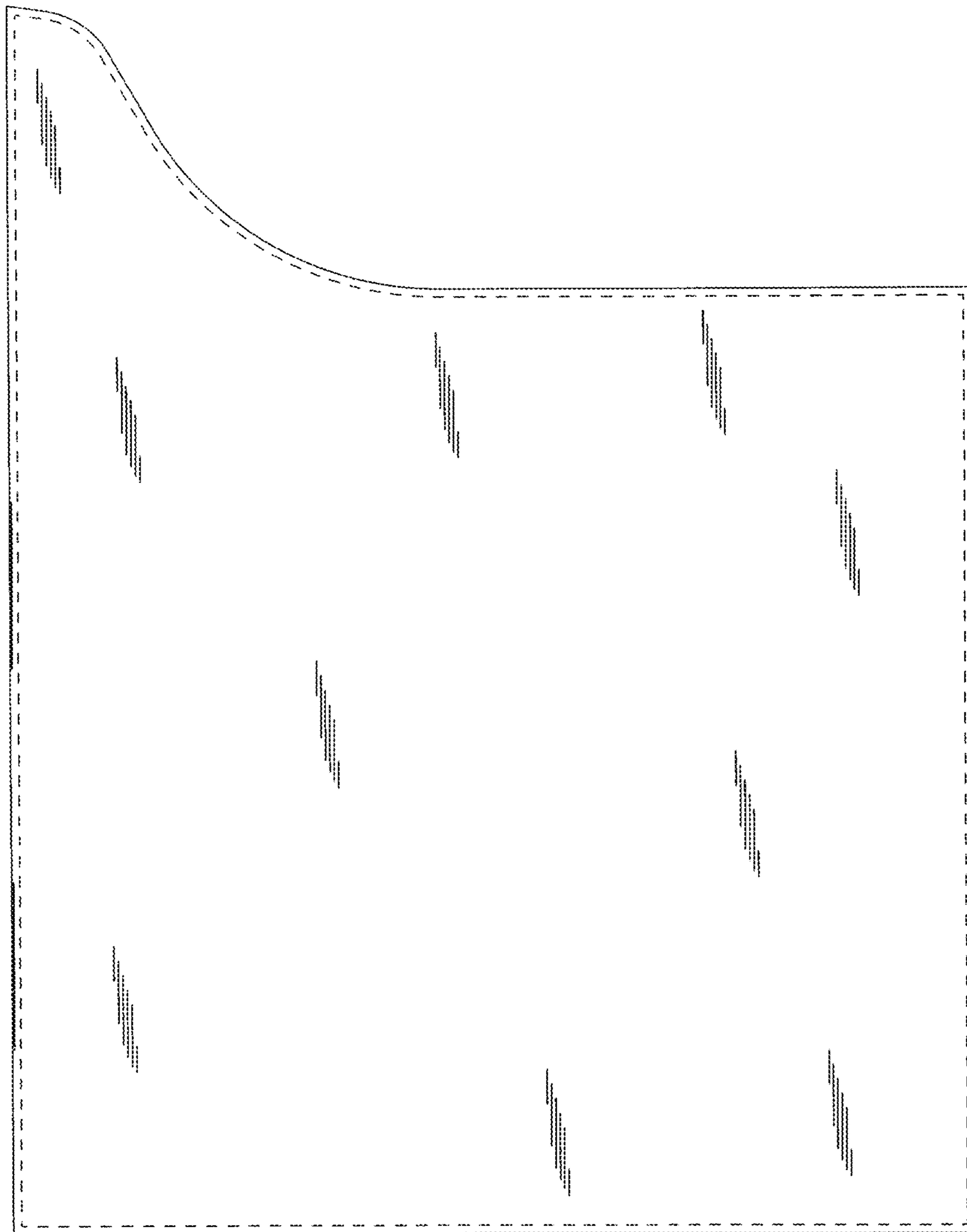


FIG. 5

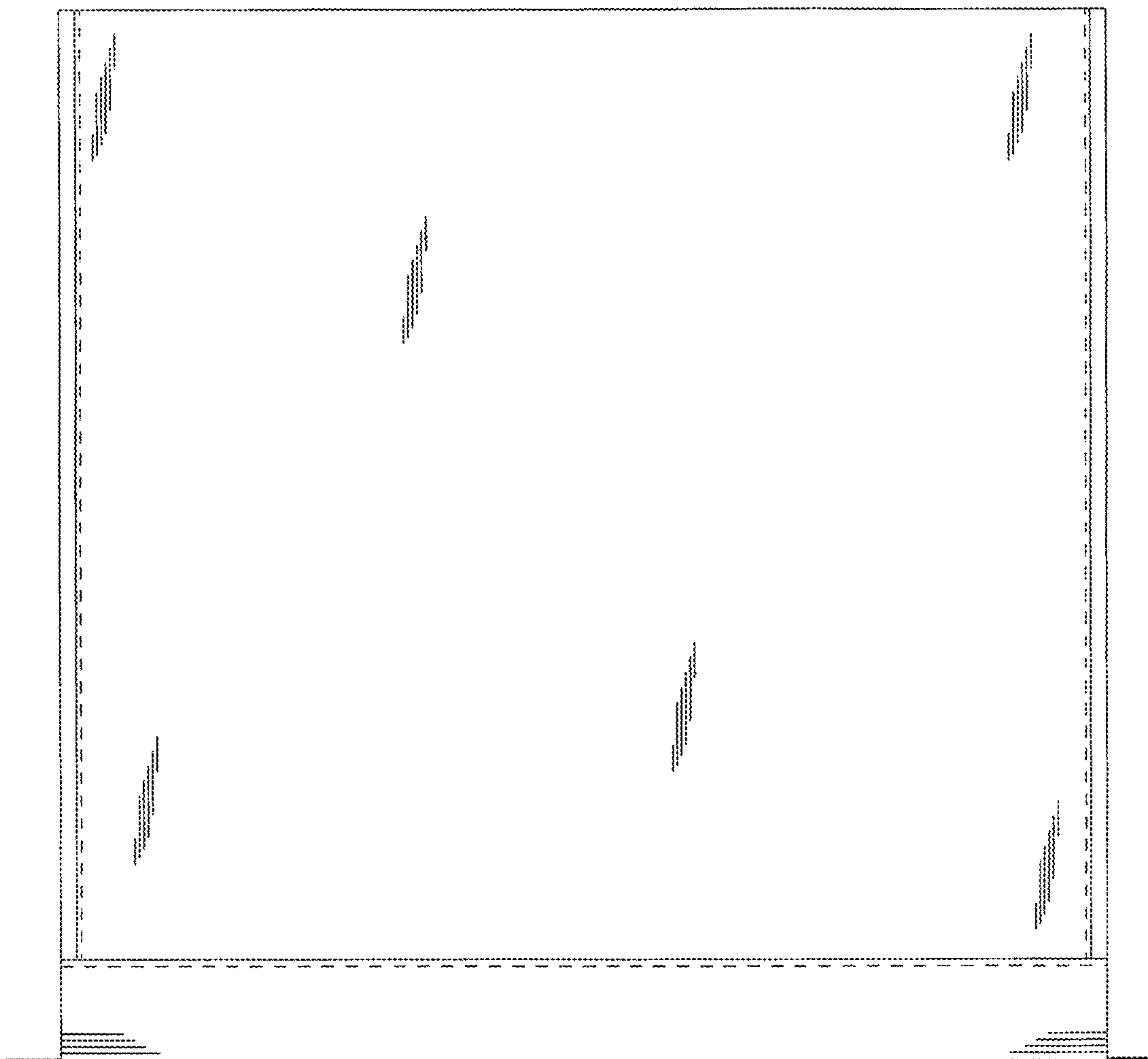


FIG. 6

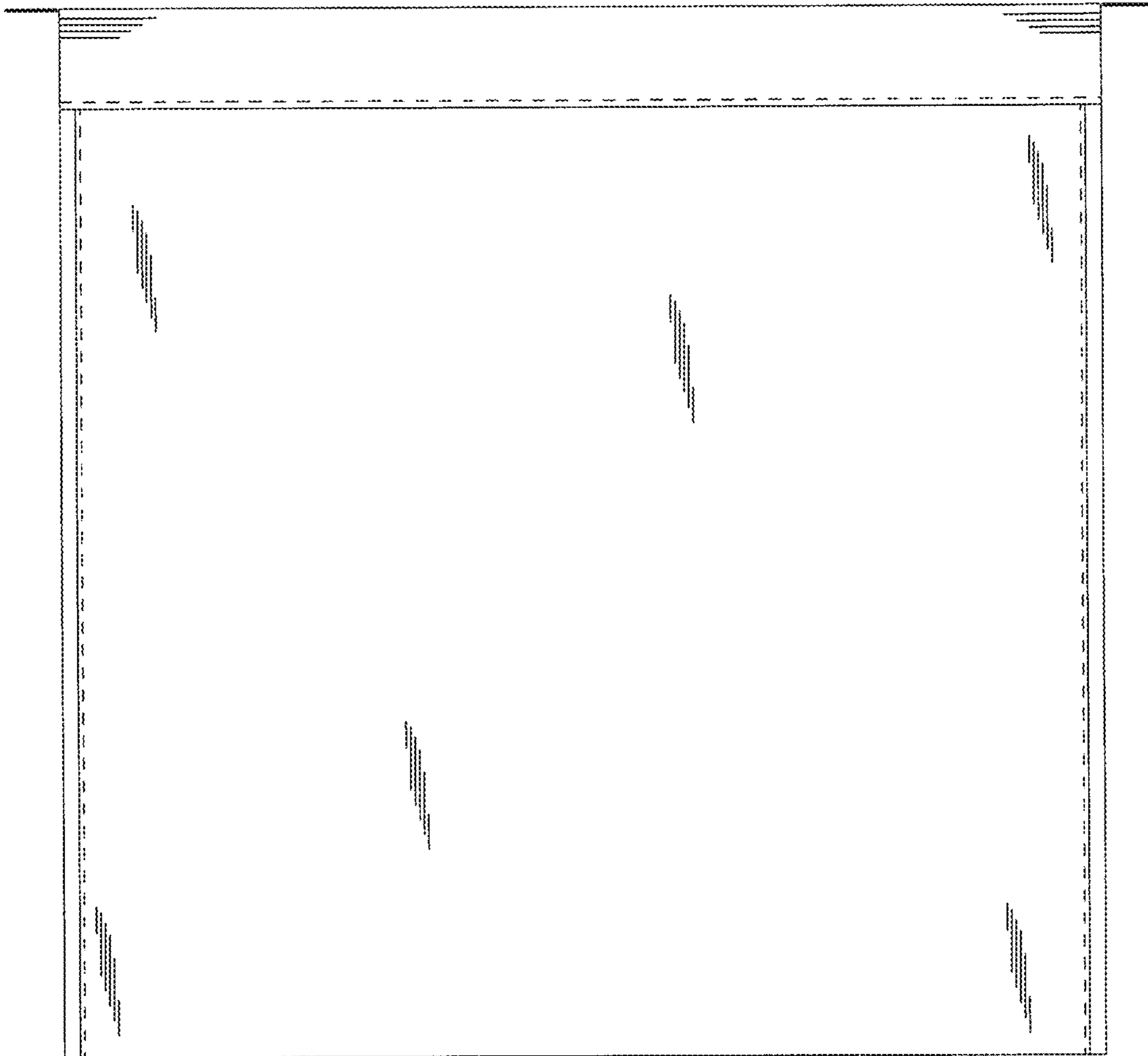


FIG. 7