



US00D869109S

(12) **United States Design Patent**  
**Yu et al.**

(10) **Patent No.:** **US D869,109 S**  
(45) **Date of Patent:** **\*\* Dec. 3, 2019**

(54) **ROBOTIC CLEANER**

(71) Applicant: **Ecovacs Robotics Co., Ltd.**, Suzhou (CN)

(72) Inventors: **Xintong Yu**, Baiyin (CN); **Xiaowen Li**, Nanjing (CN); **Pingxing Huang**, Shaowu (CN); **XiaoJuan Chen**, Xiamen (CN)

(73) Assignee: **ECOVACS ROBOTICS CO., LTD.**, Suzhou (CN)

(\*\*) Term: **15 Years**

(21) Appl. No.: **29/656,106**

(22) Filed: **Jul. 10, 2018**

(51) **LOC (12) Cl.** ..... **15-05**

(52) **U.S. Cl.**  
USPC ..... **D32/21**

(58) **Field of Classification Search**  
USPC ..... D32/21, 31; D13/108–109; 15/319  
CPC ..... E04H 4/1654; A47L 2201/00; A47L 2201/02; A47L 2201/04; A47L 2201/06; A47L 9/0461; A47L 9/2805; B25J 9/1694  
See application file for complete search history.

(56) **References Cited**

**U.S. PATENT DOCUMENTS**

D556,961 S \* 12/2007 Swyst ..... D15/199  
D658,341 S \* 4/2012 Nam ..... D32/21  
D661,440 S \* 6/2012 Lee ..... D32/21  
D665,547 S \* 8/2012 Nam ..... D32/21

D669,235 S \* 10/2012 Bassett ..... D32/21  
D690,478 S \* 9/2013 Li ..... D32/21  
D714,003 S \* 9/2014 Casini ..... D32/21  
D715,504 S \* 10/2014 Deoksang ..... D32/21  
D771,884 S \* 11/2016 Ninomiya ..... D32/21  
D835,869 S \* 12/2018 Li ..... D32/21  
D840,617 S \* 2/2019 Dou ..... D32/21

**FOREIGN PATENT DOCUMENTS**

CN 304018914 S 1/2017  
CN 304184717 S 6/2017  
CN 304184718 S 6/2017  
CN 304245842 S 8/2017  
CN 304257729 S 8/2017  
CN 304369871 S 11/2017

\* cited by examiner

*Primary Examiner* — Ruth McInroy

(74) *Attorney, Agent, or Firm* — Procopio, Cory, Hargreaves & Savitch LLP

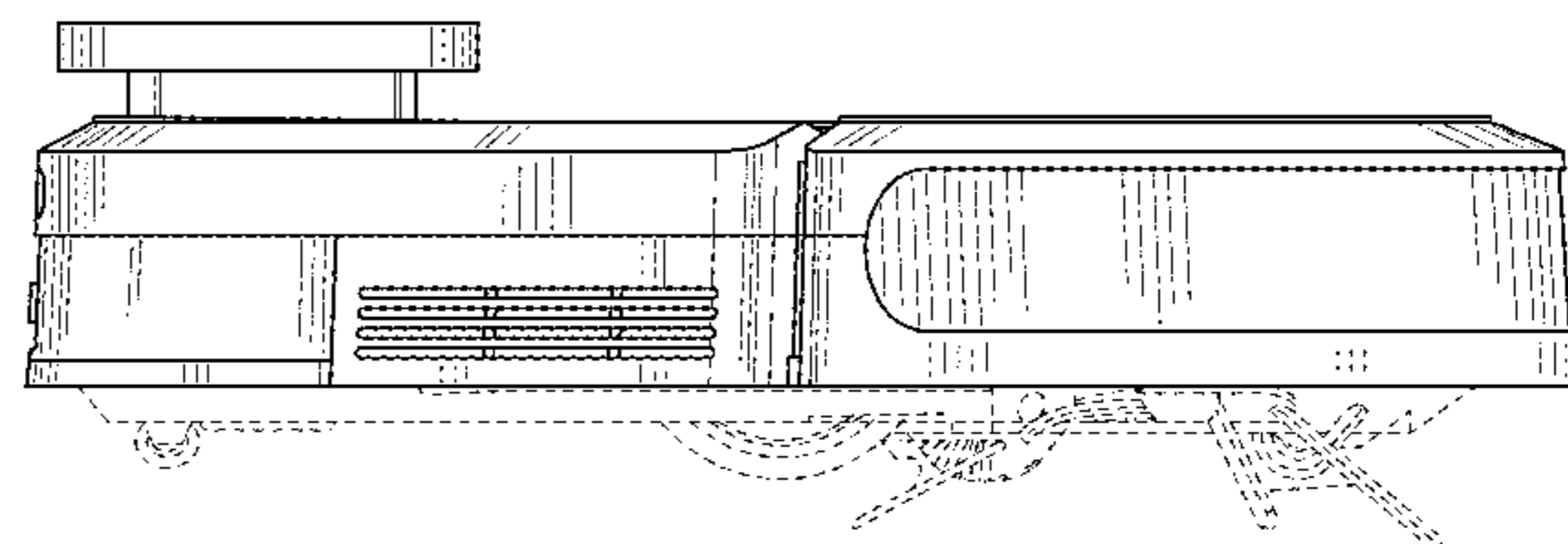
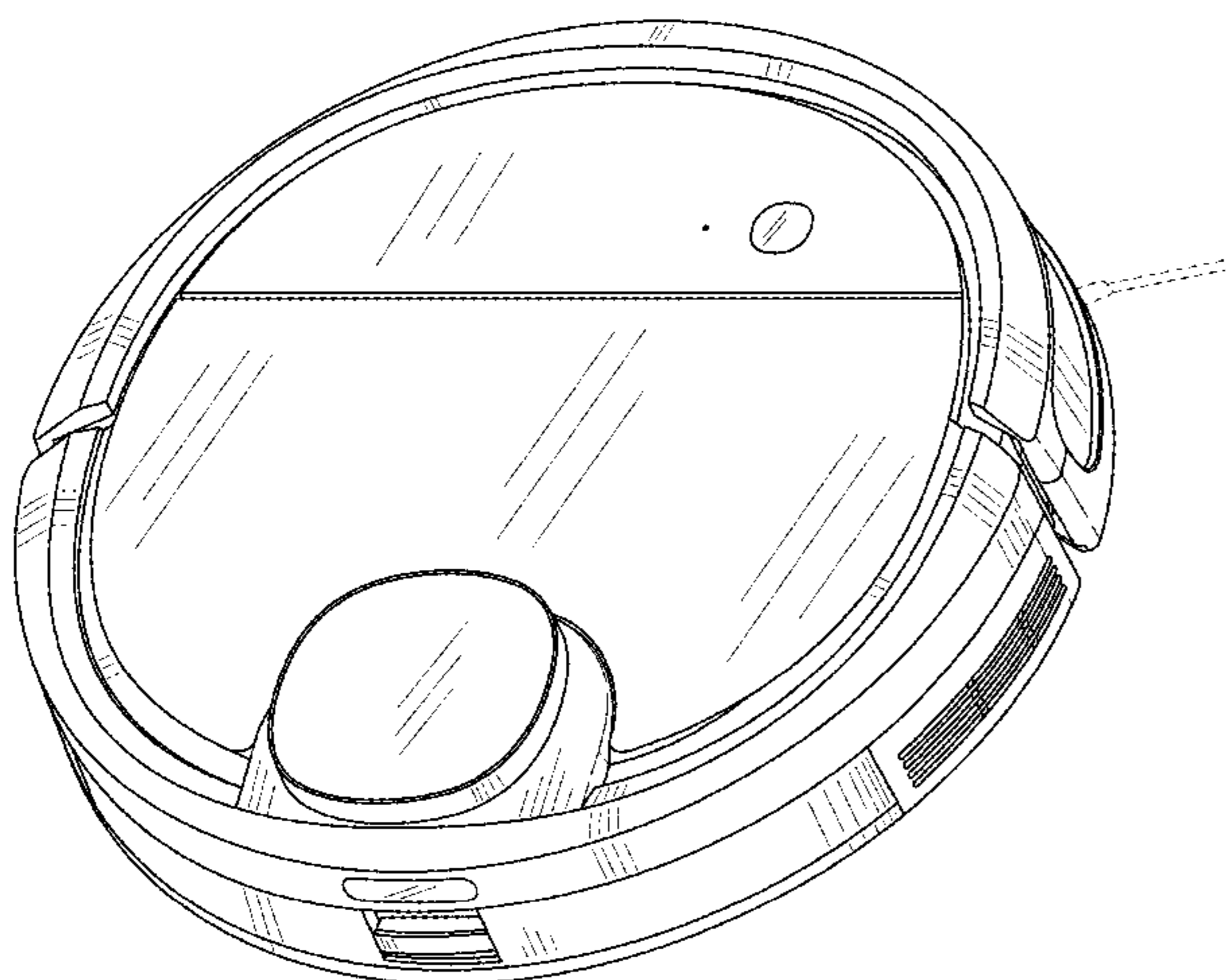
(57) **CLAIM**

The ornamental design for a robotic cleaner, as shown and described.

**DESCRIPTION**

FIG. 1 is a front perspective view of a robotic cleaner showing our new design;  
FIG. 2 is a top view thereof;  
FIG. 3 is a front view thereof  
FIG. 4 is a right side view thereof;  
FIG. 5 is a rear view thereof; and,  
FIG. 6 is a left side view thereof.

**1 Claim, 6 Drawing Sheets**



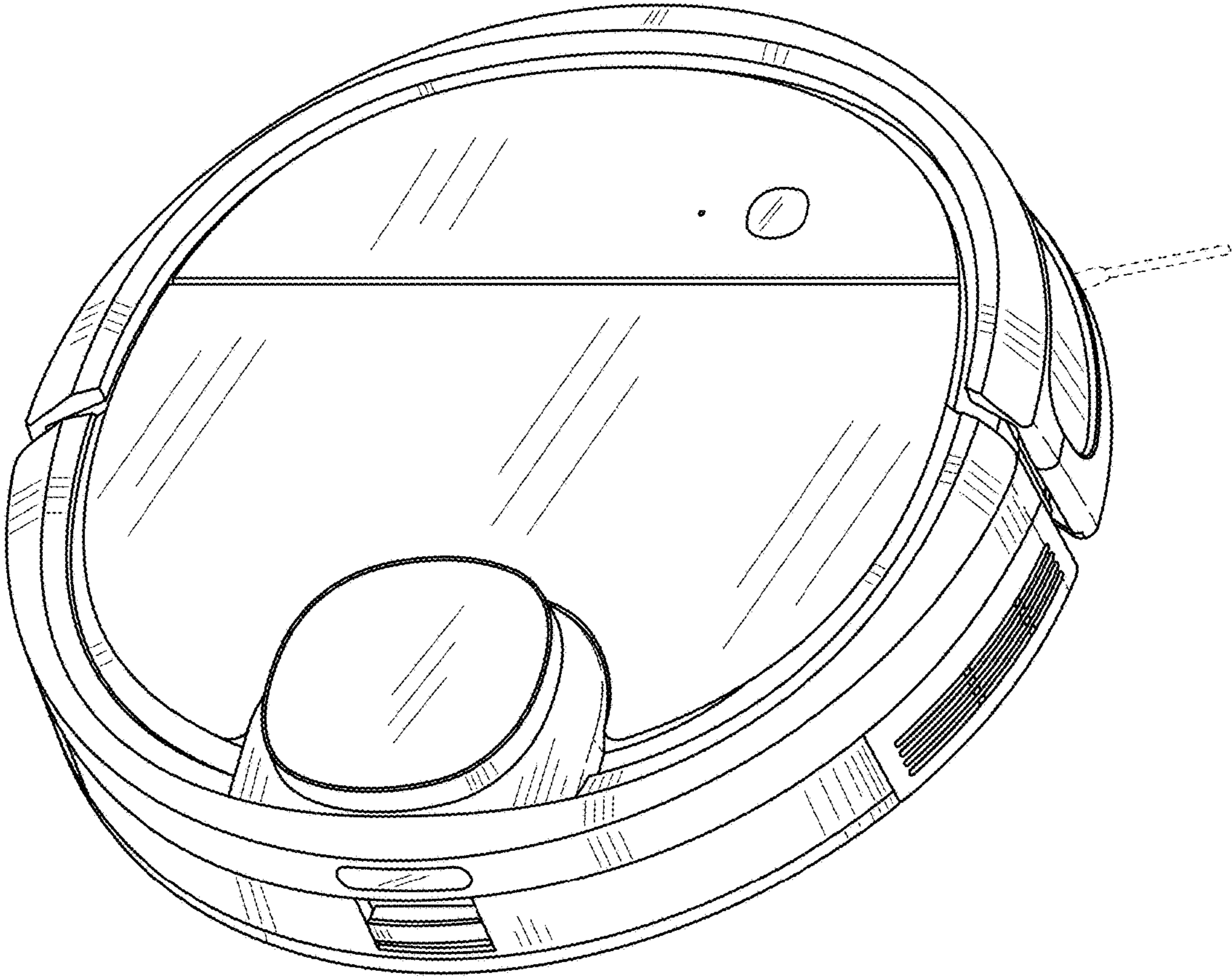


FIG. 1

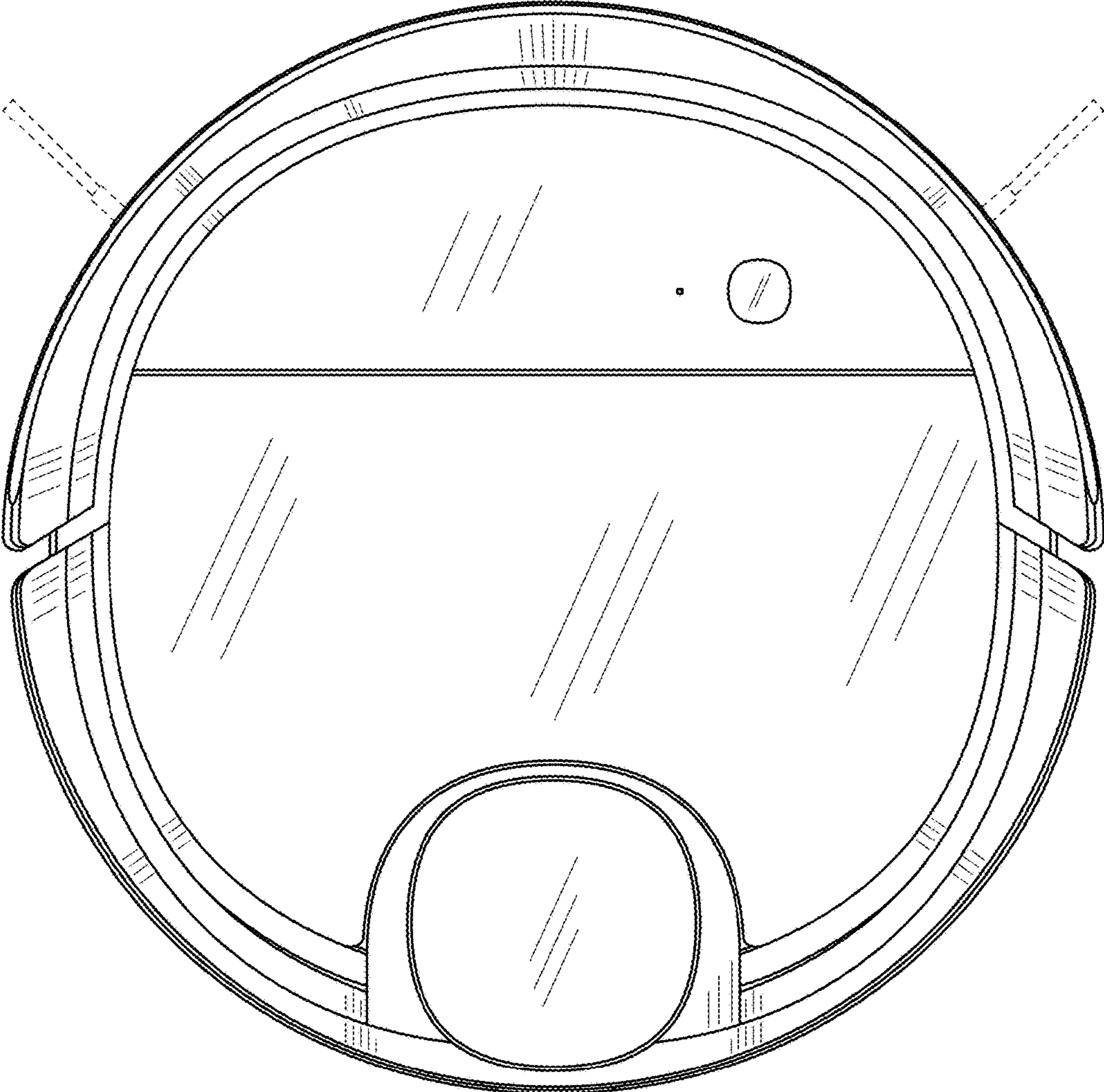


FIG. 2

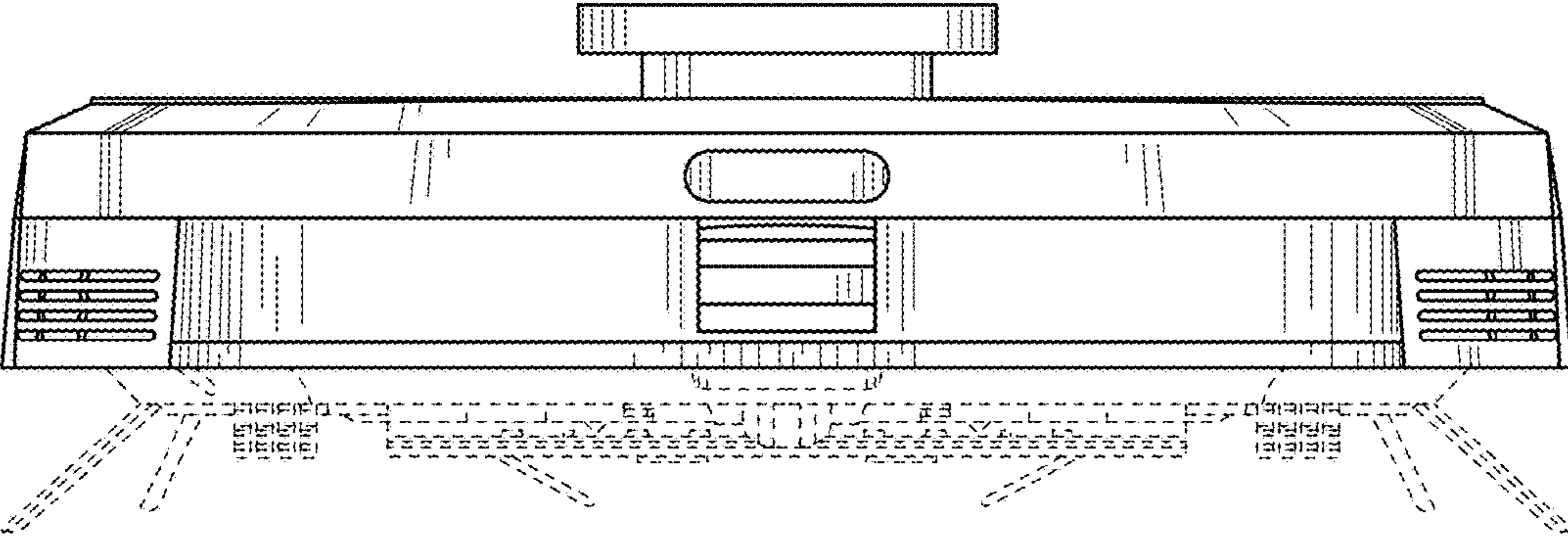


FIG. 3

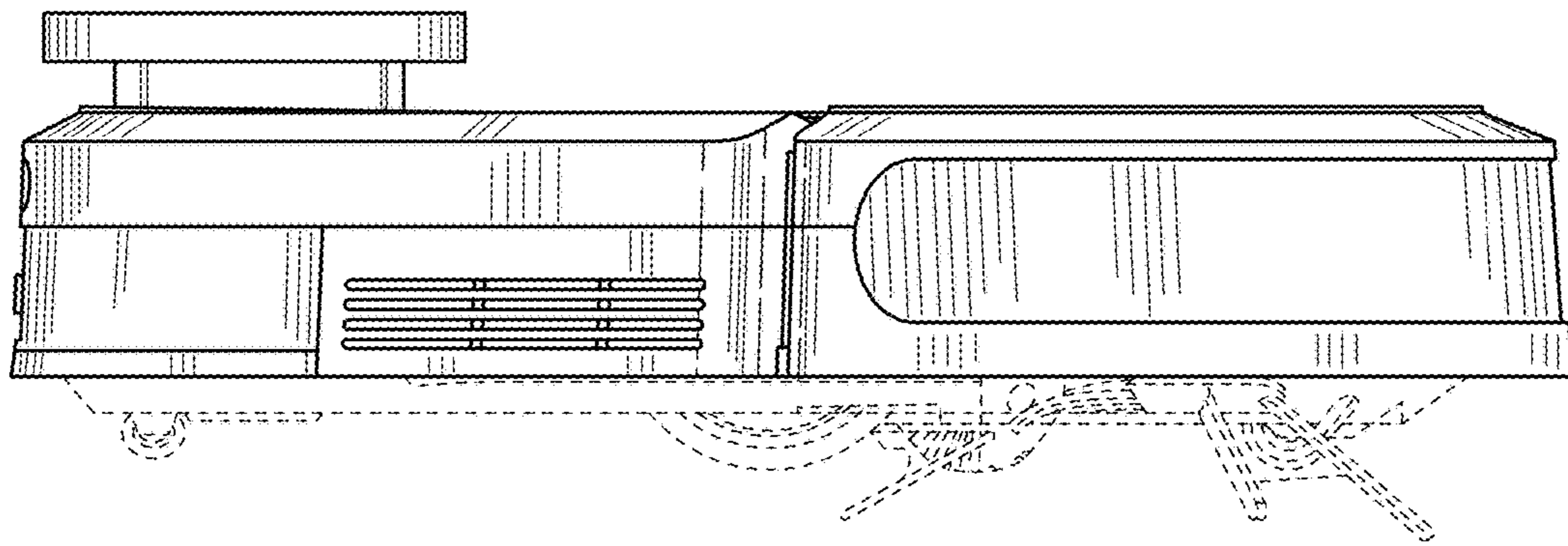


FIG. 4

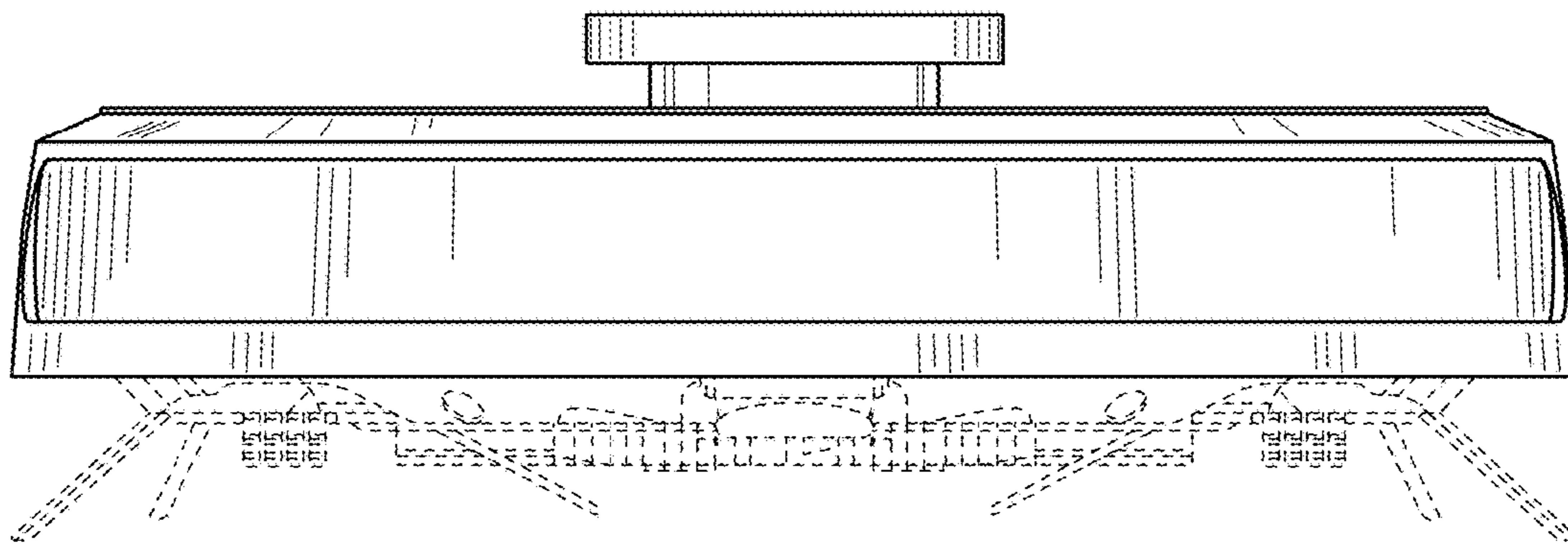


FIG. 5

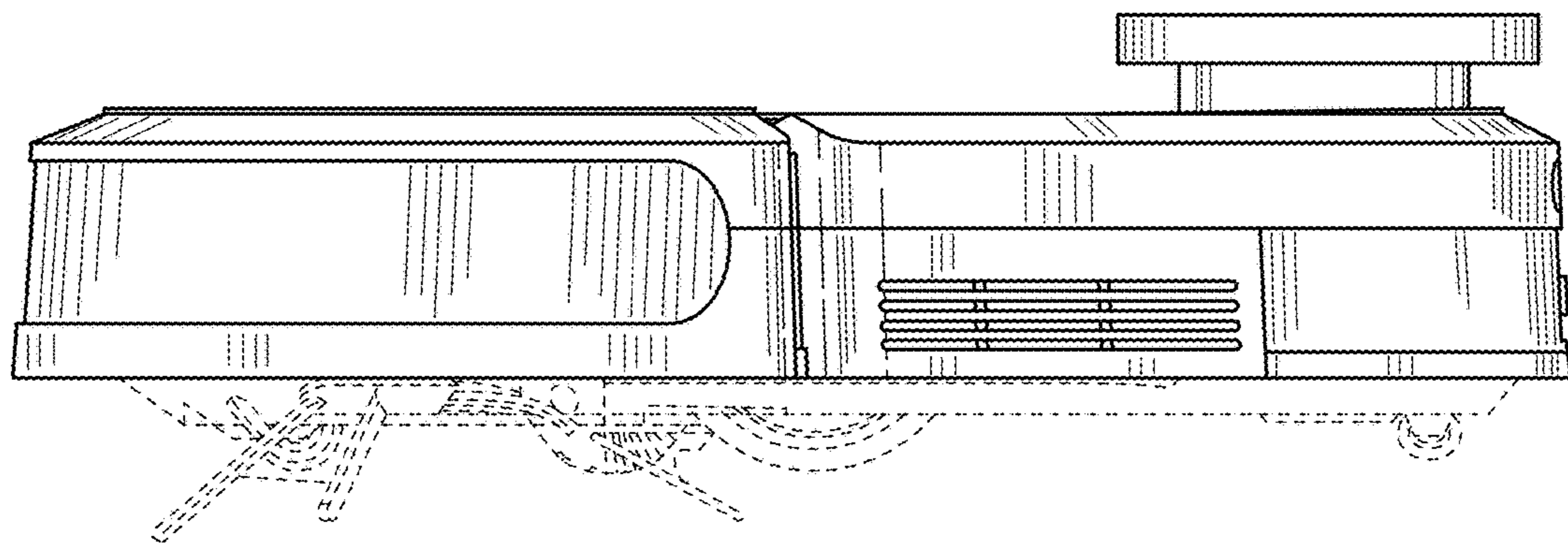


FIG. 6