



US00D869107S

(12) **United States Design Patent**
Israel et al.

(10) **Patent No.:** **US D869,107 S**

(45) **Date of Patent:** **** Dec. 3, 2019**

(54) **HANDHELD STEAMER**

(71) Applicant: **Vornado Air, LLC**, Andover, KS (US)

(72) Inventors: **Gary P. Israel**, Andover, KS (US);
Glen W. Ediger, North Newton, KS (US)

(73) Assignee: **VORNADO AIR, LLC**, Andover, KS (US)

(**) Term: **15 Years**

(21) Appl. No.: **29/658,231**

(22) Filed: **Jul. 30, 2018**

(51) **LOC (12) Cl.** **15-05**

(52) **U.S. Cl.**
USPC **D32/17**

(58) **Field of Classification Search**
USPC D32/17, 18, 22, 31
CPC ... A47L 5/24; A47L 5/362; A47L 5/36; A47L 5/28; A47L 9/102; A47L 9/1683; B01D 50/002

See application file for complete search history.

(56) **References Cited**

U.S. PATENT DOCUMENTS

D452,051 S * 12/2001 Antonio D32/17
D481,183 S * 10/2003 Mangano D32/17
D485,651 S * 1/2004 Lin D32/17

D620,208 S * 7/2010 Mangano D32/17
D634,493 S * 3/2011 Breit D32/17
D656,693 S * 3/2012 Lavy D32/17
D674,564 S * 1/2013 Mangano D32/17
D702,406 S * 4/2014 Mu D32/17
D708,801 S * 7/2014 Israel D32/17
D733,982 S * 7/2015 Cui D32/17
D771,331 S * 11/2016 Chaklos D32/17
D826,492 S * 8/2018 Huang D32/17
D838,066 S * 1/2019 Peng D32/17
D844,263 S * 3/2019 Ediger D32/17
10,258,207 B2 * 4/2019 Stewen A47L 1/05

* cited by examiner

Primary Examiner — Ruth McInroy

(74) *Attorney, Agent, or Firm* — Milligan PC LLO

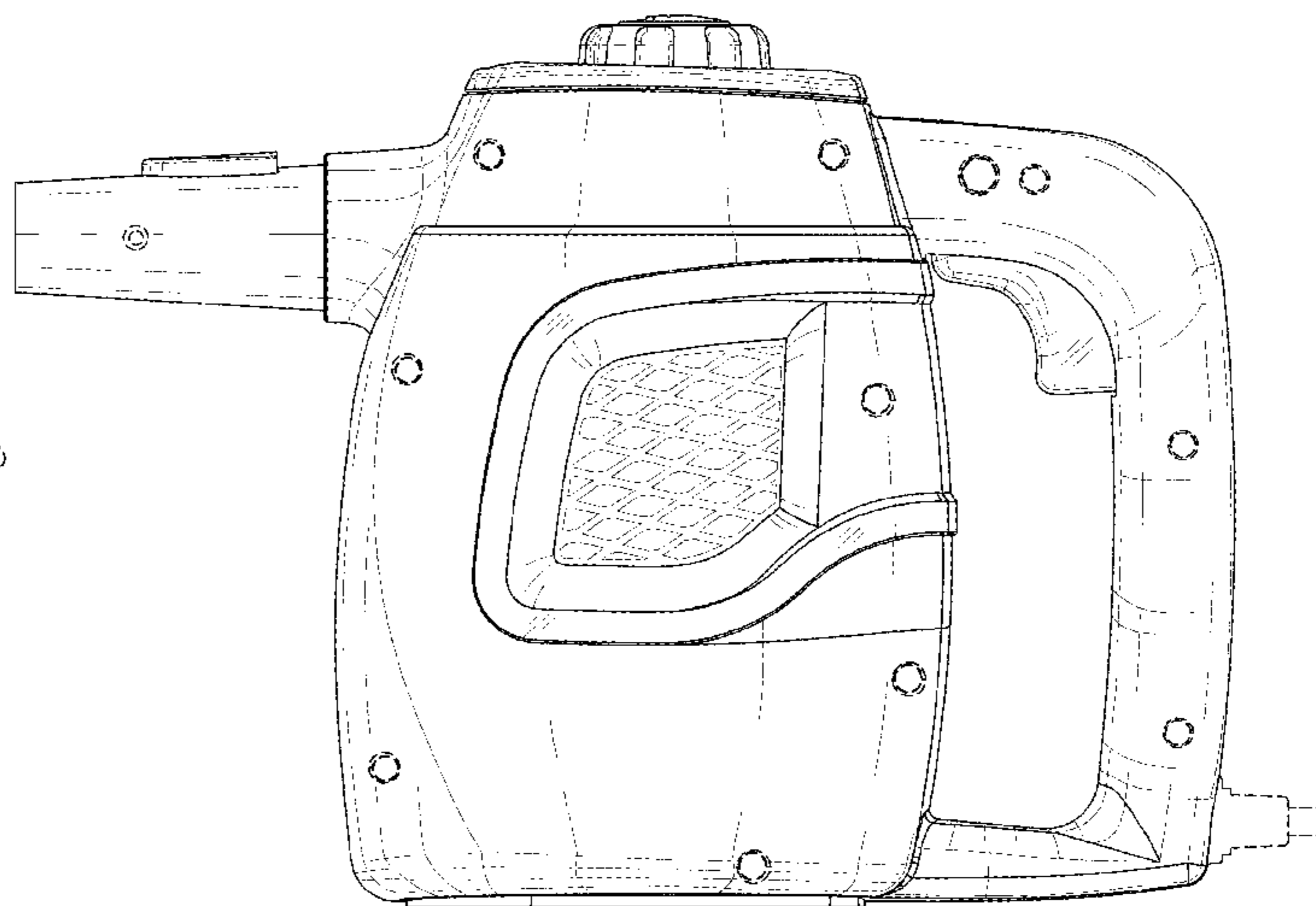
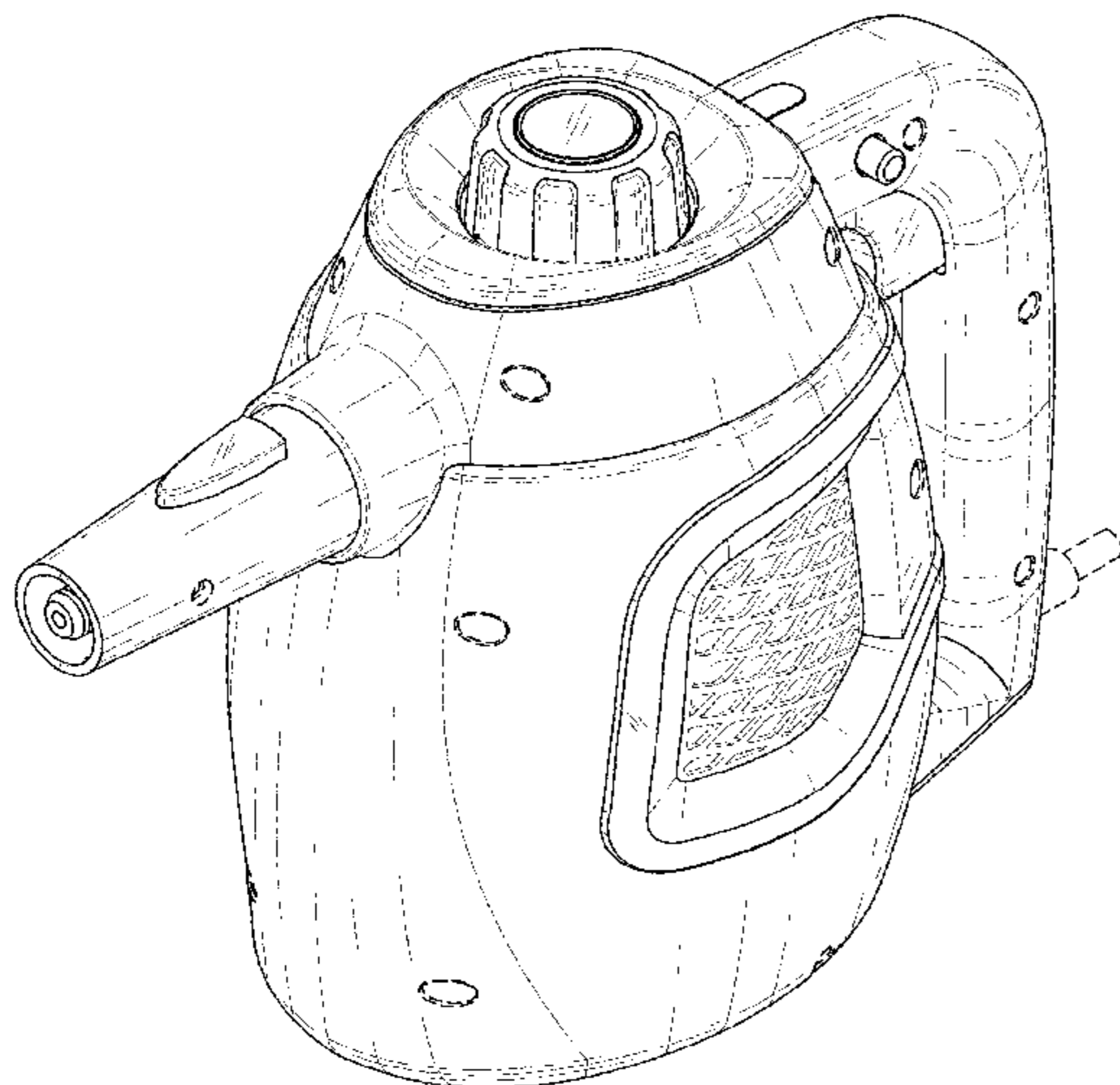
(57) **CLAIM**

We claim the ornamental design for a handheld steamer, as shown and described.

DESCRIPTION

FIG. 1 is a left, front, top perspective view of a handheld steamer in accordance with the present invention;
FIG. 2 is a front elevation view thereof;
FIG. 3 is a rear elevation view thereof;
FIG. 4 is a top plan view thereof;
FIG. 5 is a bottom plan view thereof;
FIG. 6 is a left elevation view thereof; and,
FIG. 7 is a right elevation view thereof.
The broken lines represent portions of the structure that form no part of the claim.

1 Claim, 7 Drawing Sheets



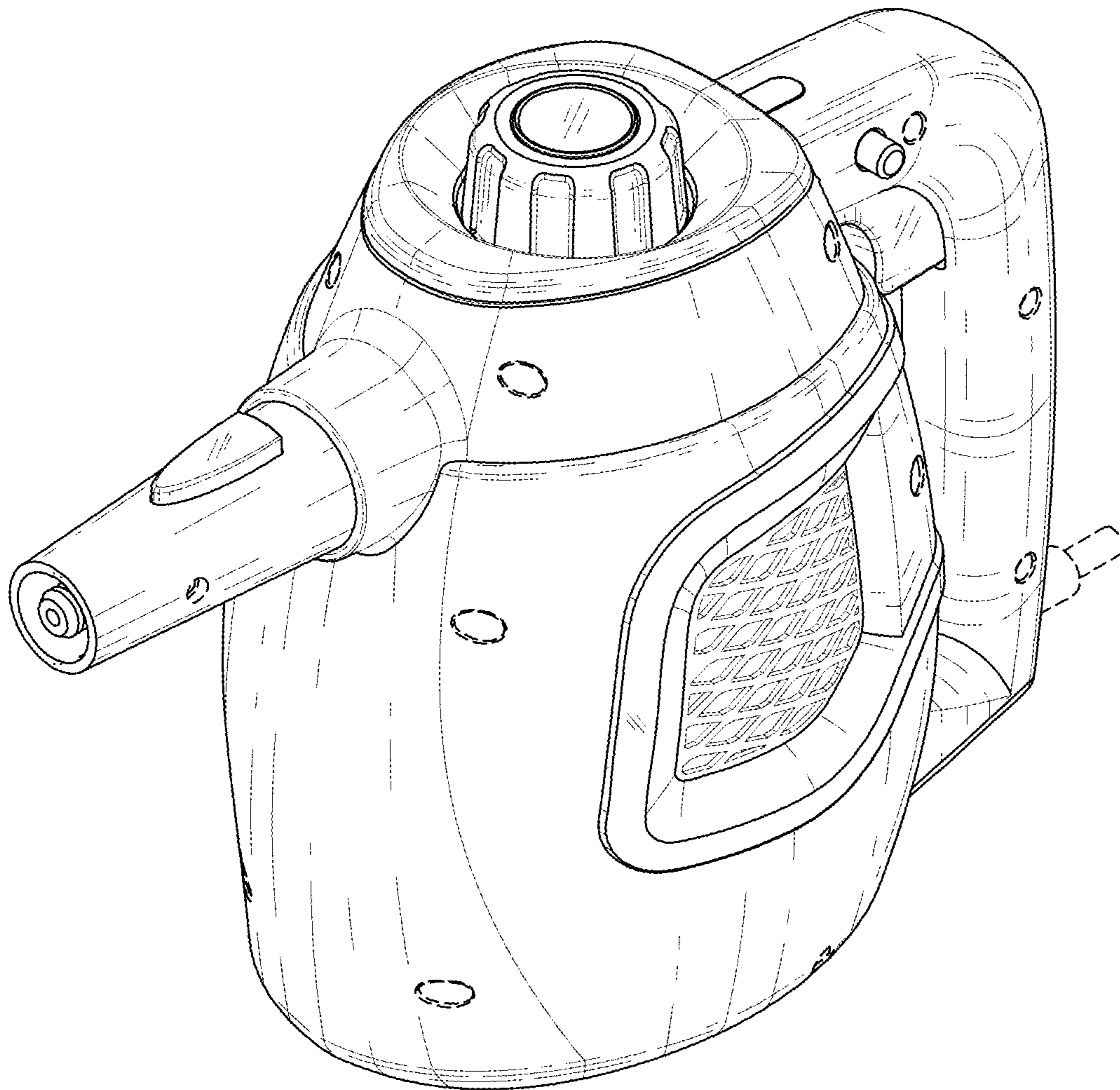


FIG. 1

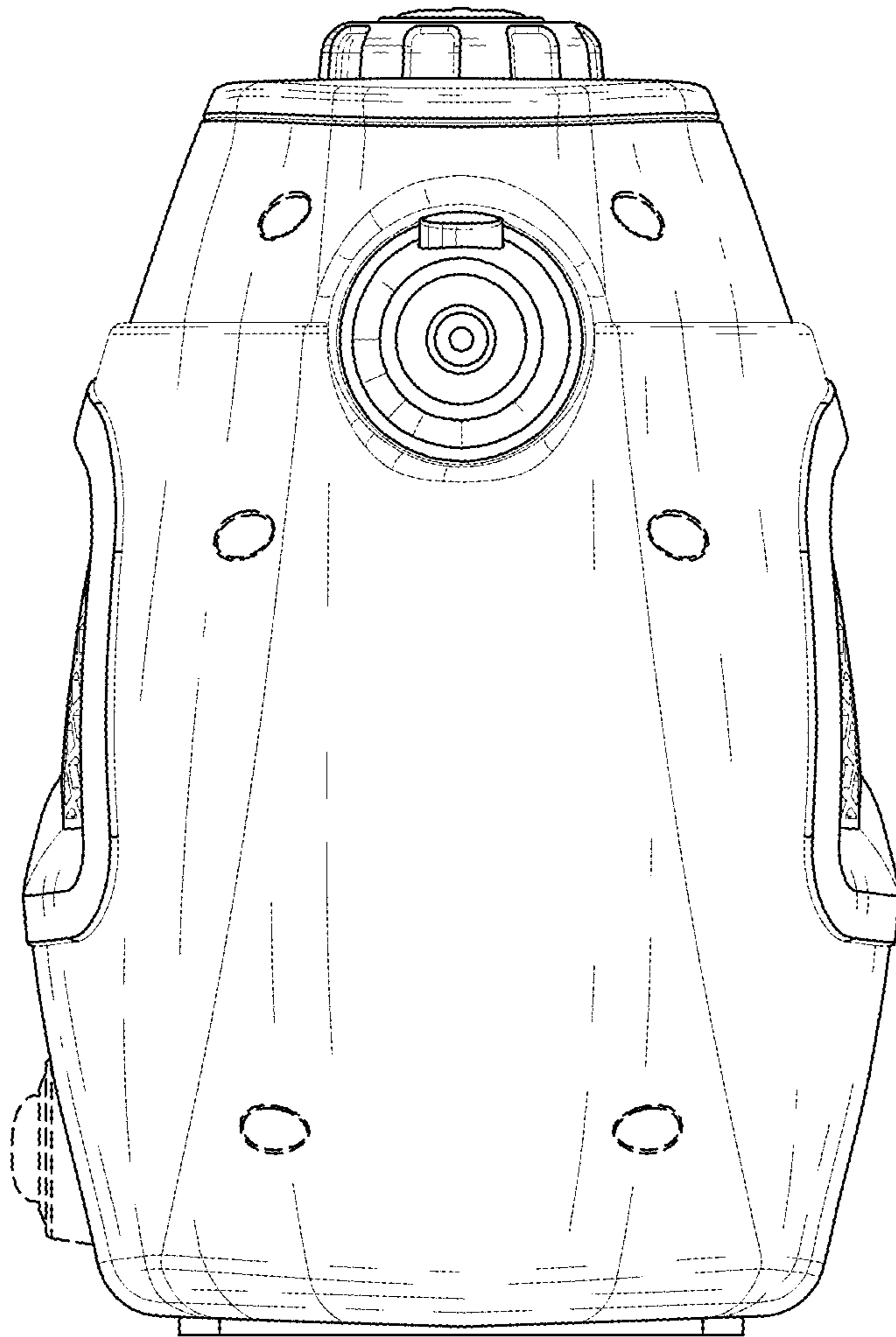


FIG. 2

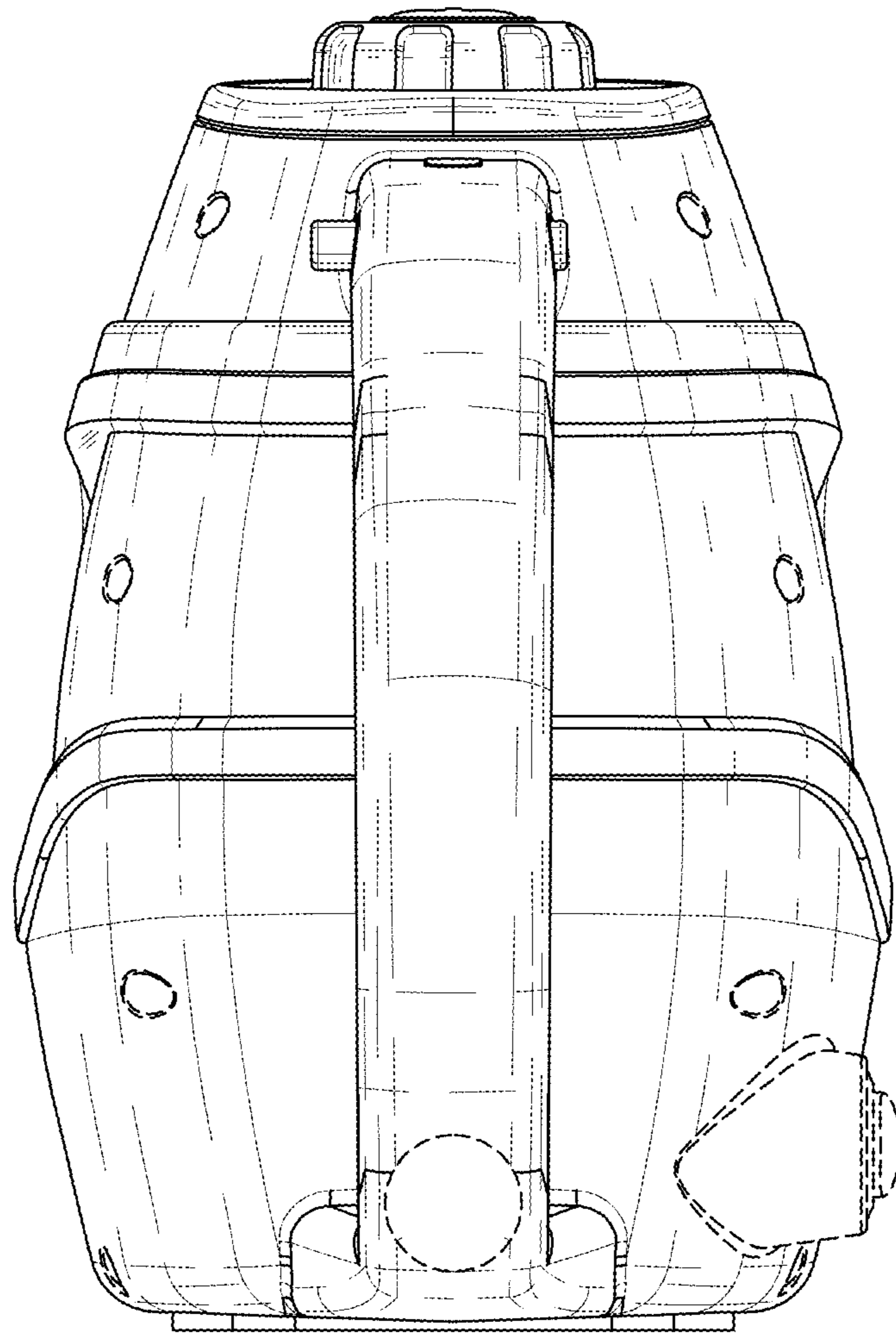


FIG. 3

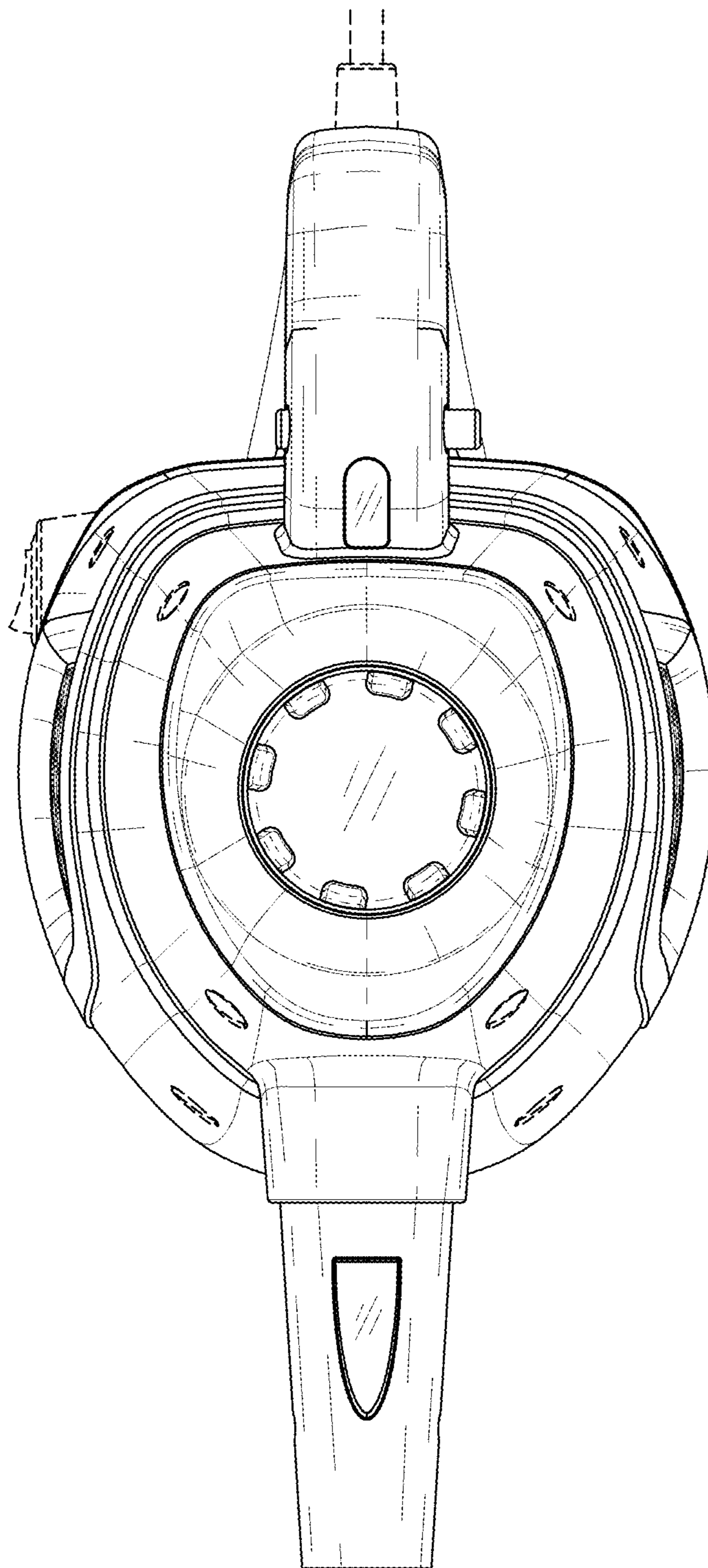


FIG. 4

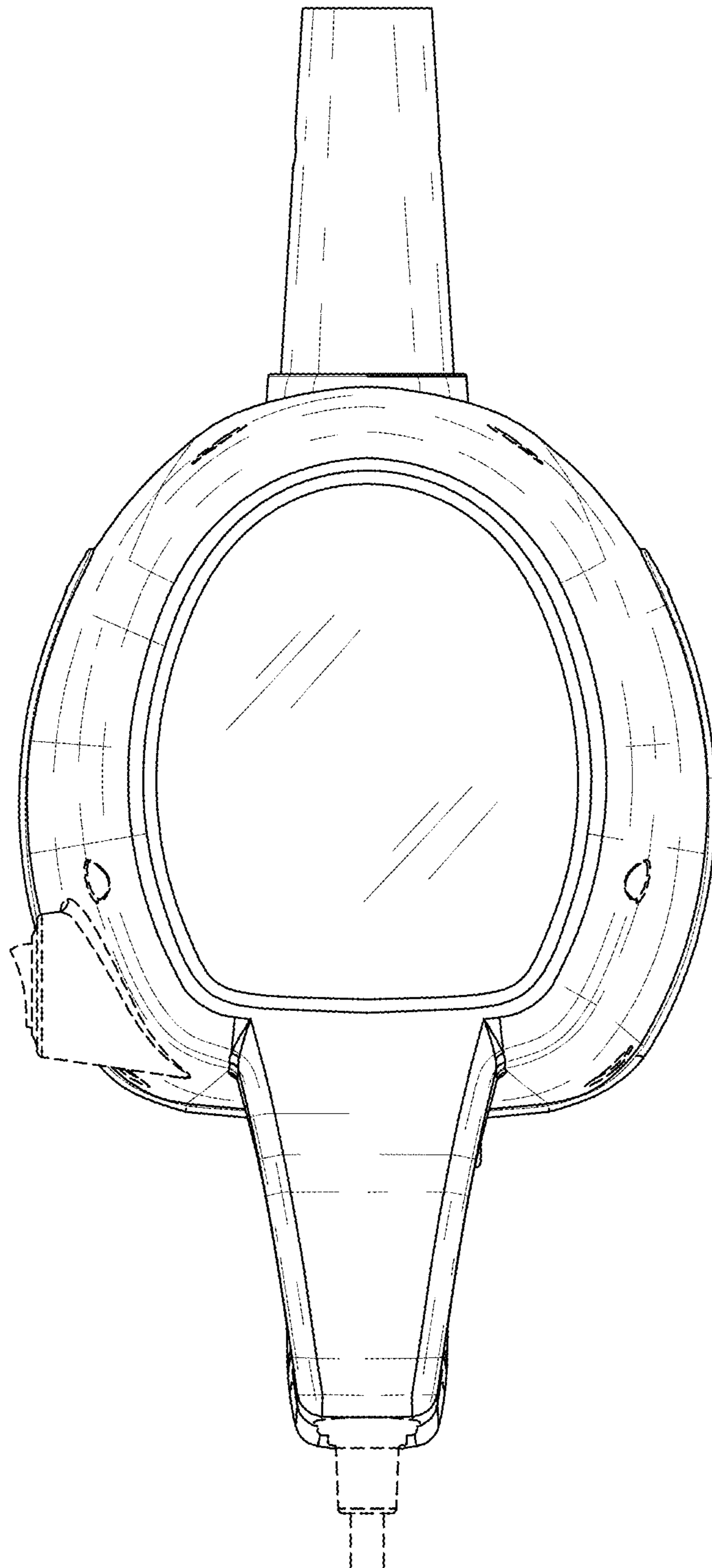


FIG. 5

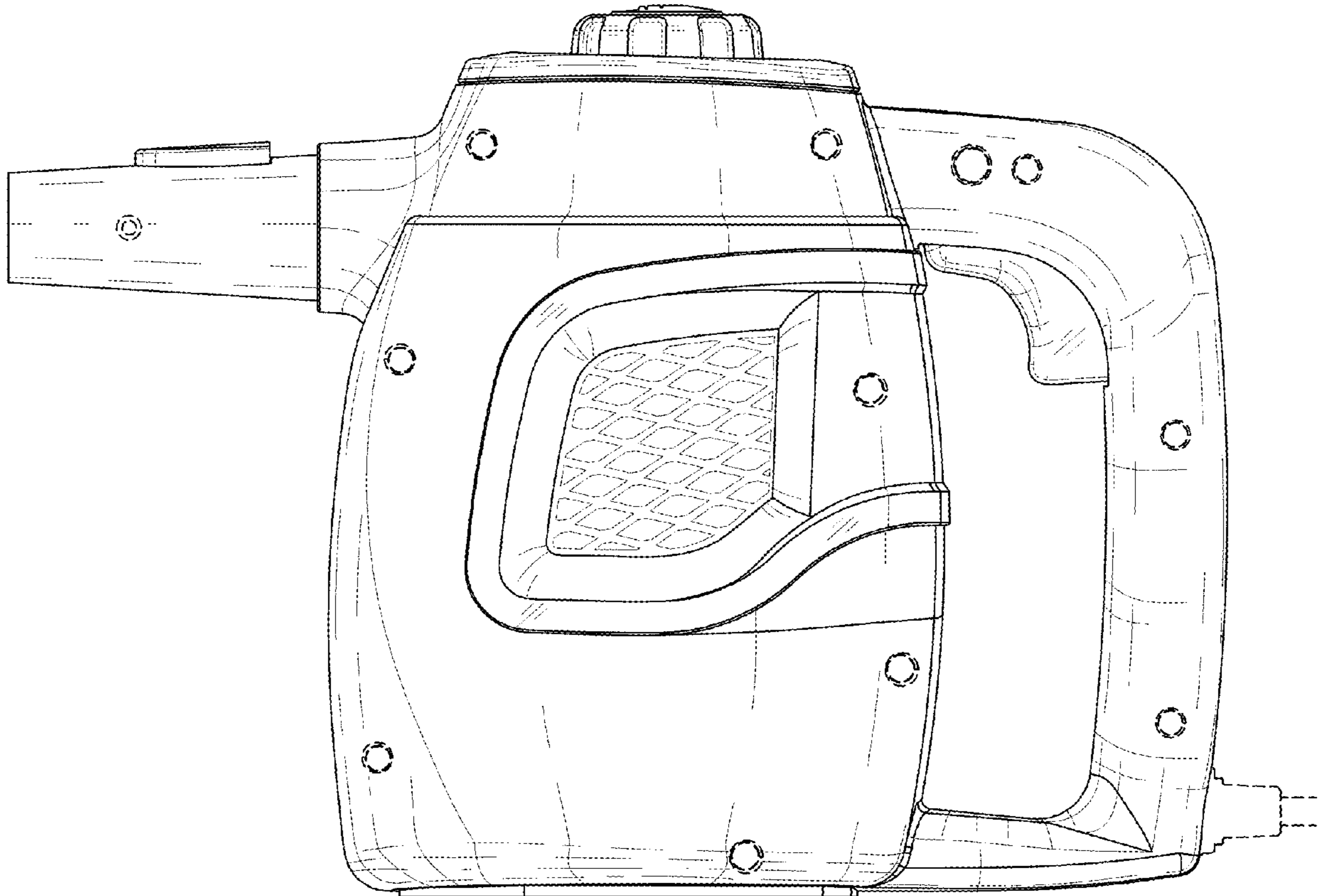


FIG. 6

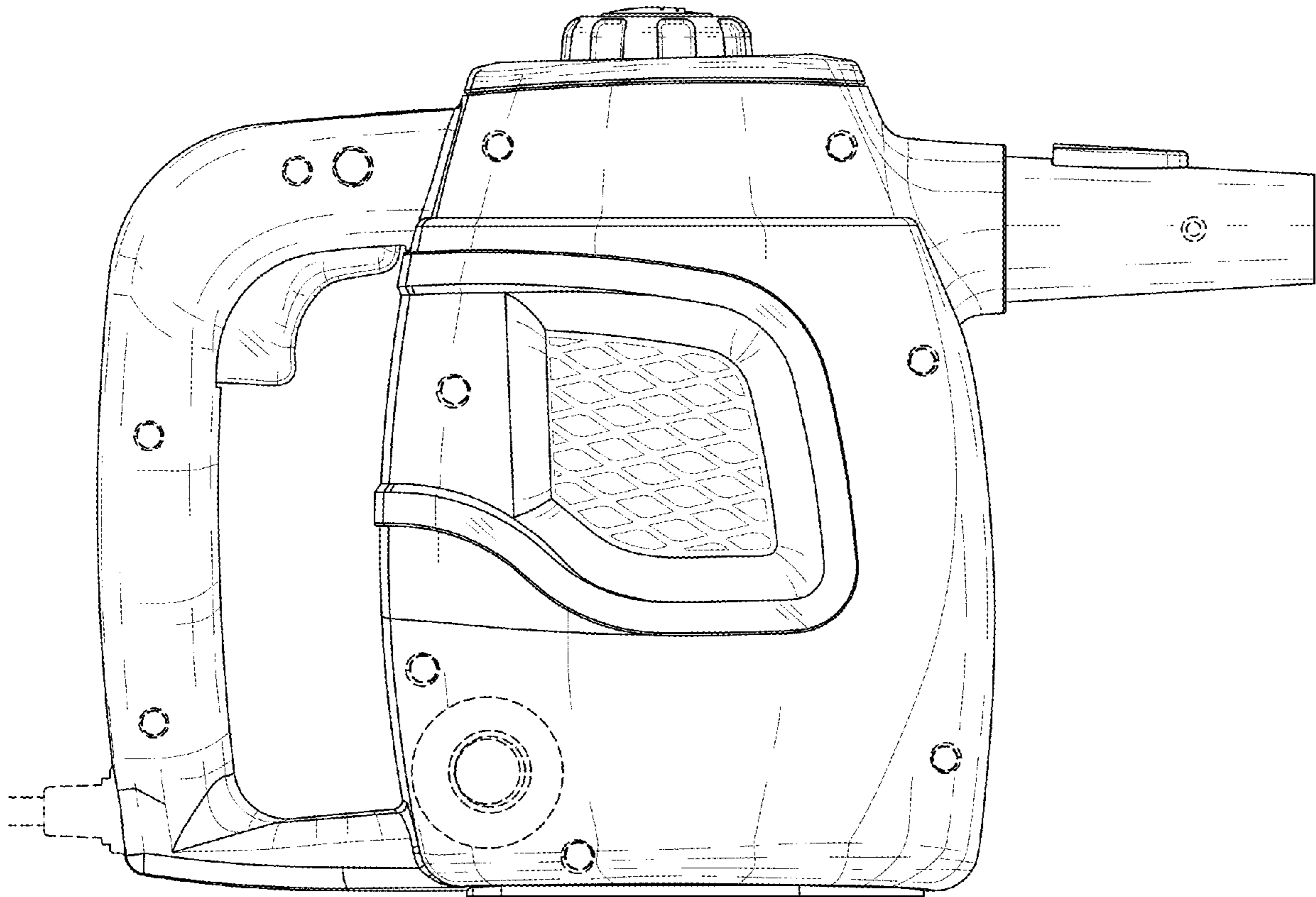


FIG. 7