



US00D869106S

(12) **United States Design Patent**  
**Schmidt**

(10) **Patent No.:** **US D869,106 S**

(45) **Date of Patent:** **\*\* Dec. 3, 2019**

- (54) **DRYER**
- (71) Applicant: **Michael P. Schmidt**, Clarence, NY  
(US)
- (72) Inventor: **Michael P. Schmidt**, Clarence, NY  
(US)
- (\*\*) Term: **15 Years**
- (21) Appl. No.: **29/672,271**
- (22) Filed: **Dec. 4, 2018**
- (51) **LOC (12) Cl.** ..... **15-05**
- (52) **U.S. Cl.**  
USPC ..... **D32/8; D32/58**
- (58) **Field of Classification Search**  
USPC ..... D32/1, 8, 25, 14.1, 55-57, 58-59  
CPC ..... A47K 10/06; A47L 23/20; A47L 23/205  
See application file for complete search history.

- 7,043,854 B2 \* 5/2006 Peet ..... A47L 23/205  
34/104
- D563,619 S \* 3/2008 Palese ..... D32/58
- D565,260 S \* 3/2008 Lam ..... D32/8
- D576,773 S \* 9/2008 Beckett ..... D32/58
- D686,342 S \* 7/2013 Peet ..... D24/232
- D766,531 S \* 9/2016 Verdoia ..... D32/58
- D776,885 S \* 1/2017 Schaberreiter ..... D32/8

\* cited by examiner

*Primary Examiner* — Michelle E. Wilson  
(74) *Attorney, Agent, or Firm* — Vincent G. LoTempio;  
Kloss, Stenger & LoTempio; David T. Stephenson

(56) **References Cited**

U.S. PATENT DOCUMENTS

- 3,417,482 A \* 12/1968 Peet ..... A47L 23/20  
34/104
- D310,742 S \* 9/1990 Johnson ..... D32/58
- D350,633 S \* 9/1994 Wong ..... D32/59
- 5,632,099 A \* 5/1997 Seifert ..... A47L 23/205  
34/106
- D412,381 S \* 7/1999 Peet ..... D32/58
- 6,216,359 B1 \* 4/2001 Peet ..... A47L 23/205  
34/105
- 6,766,594 B2 \* 7/2004 DuRapau ..... A47L 23/205  
34/104
- D496,502 S \* 9/2004 Cheng ..... D32/1
- D519,255 S \* 4/2006 Peet ..... D32/59

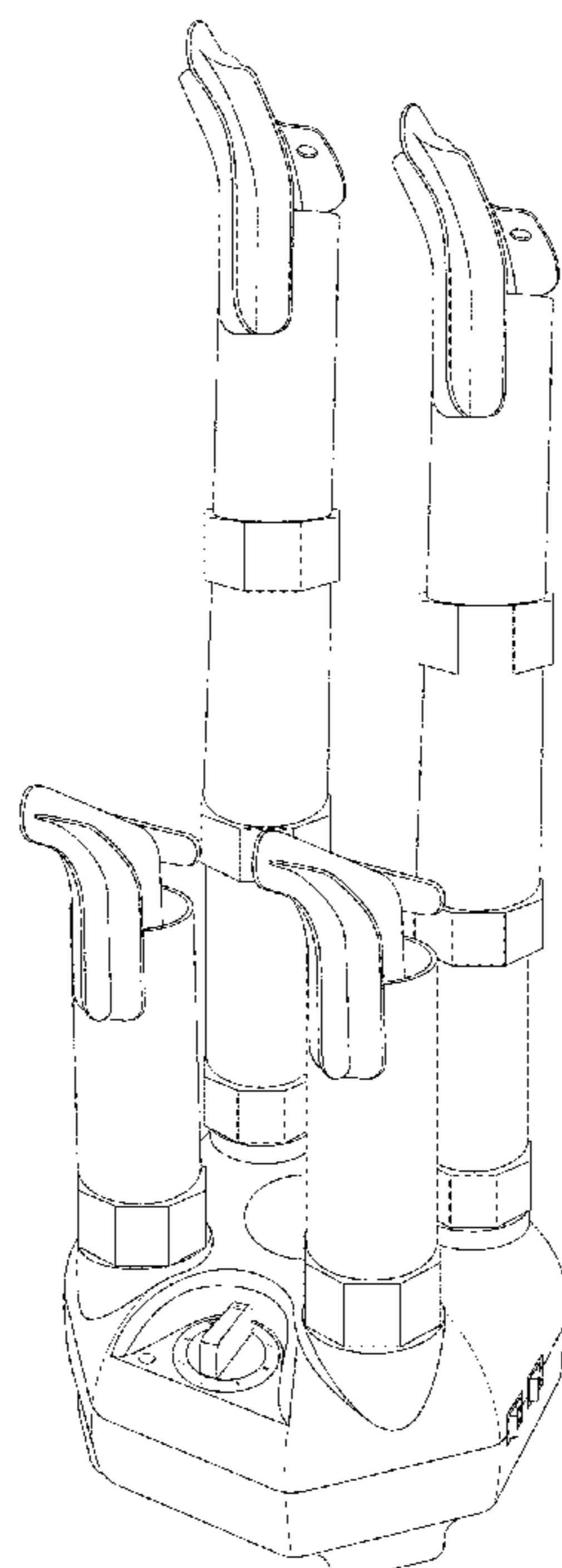
(57) **CLAIM**

The ornamental design of a dryer, as shown and described.

**DESCRIPTION**

FIG. 1 is a perspective view of the dryer showing my new design;  
FIG. 2 is a perspective view thereof;  
FIG. 3 is an exploded view thereof;  
FIG. 4 is a front view thereof;  
FIG. 5 is a back view thereof;  
FIG. 6 is a right side view thereof;  
FIG. 7 is a left side view thereof;  
FIG. 8 is a top view thereof; and,  
FIG. 9 is a bottom view thereof.  
The broken lines shown in FIG. 2 are for illustrative purposes only and form no part of the claimed design.

**1 Claim, 9 Drawing Sheets**



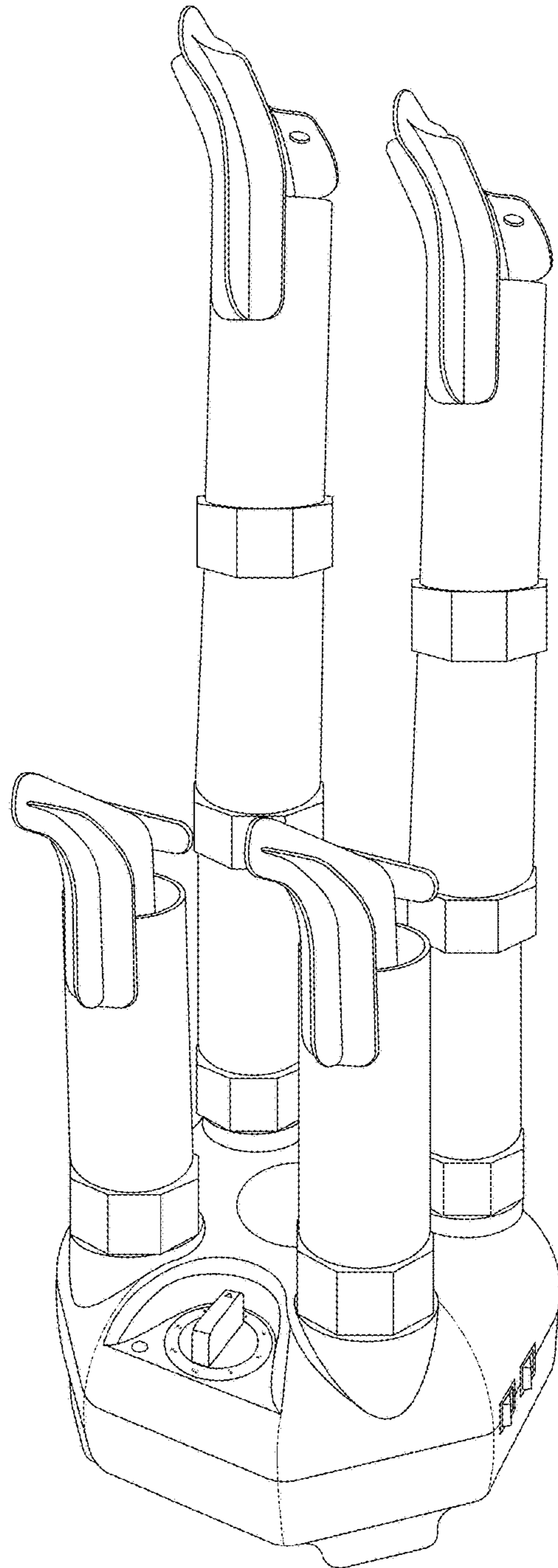


FIG. 1

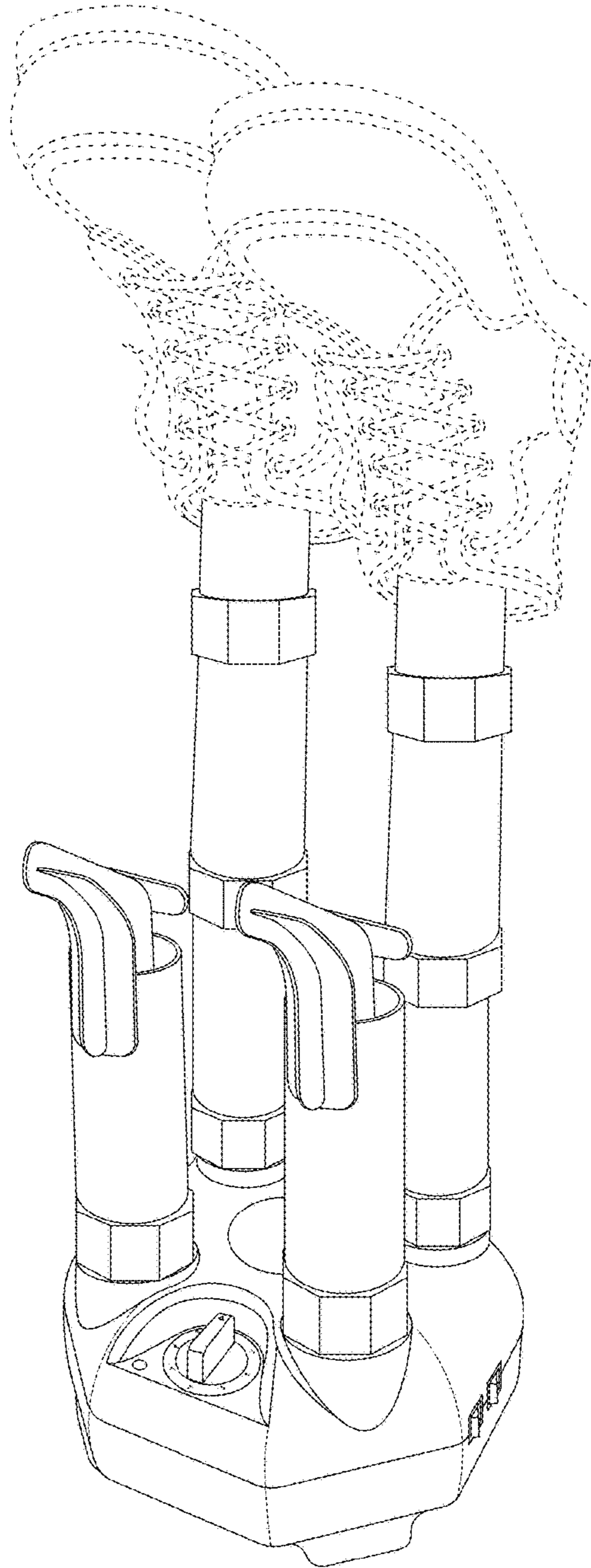


FIG. 2

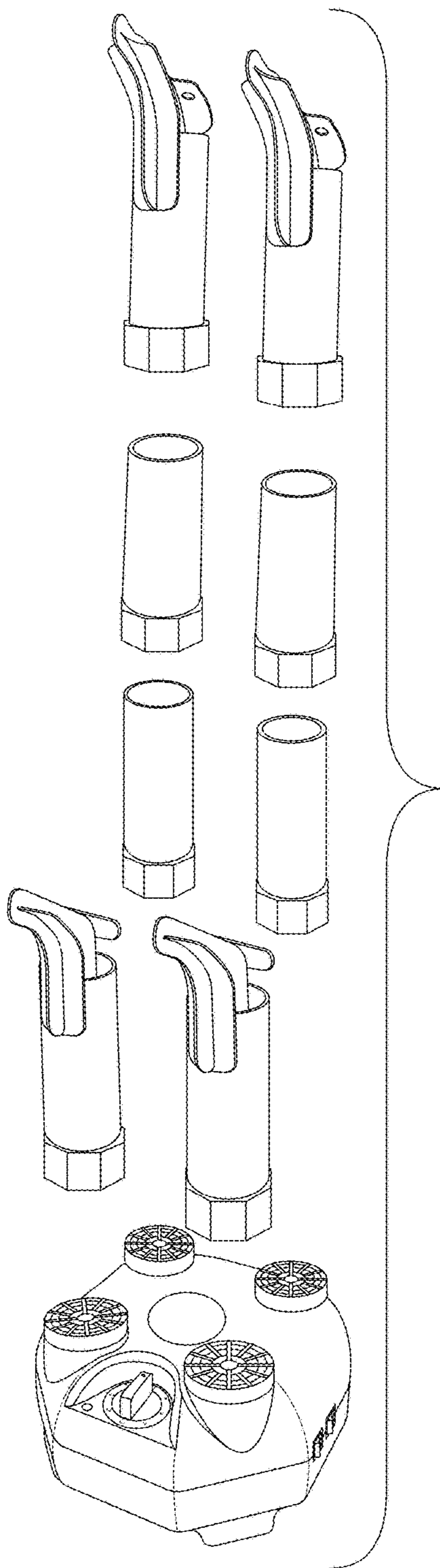


FIG. 3

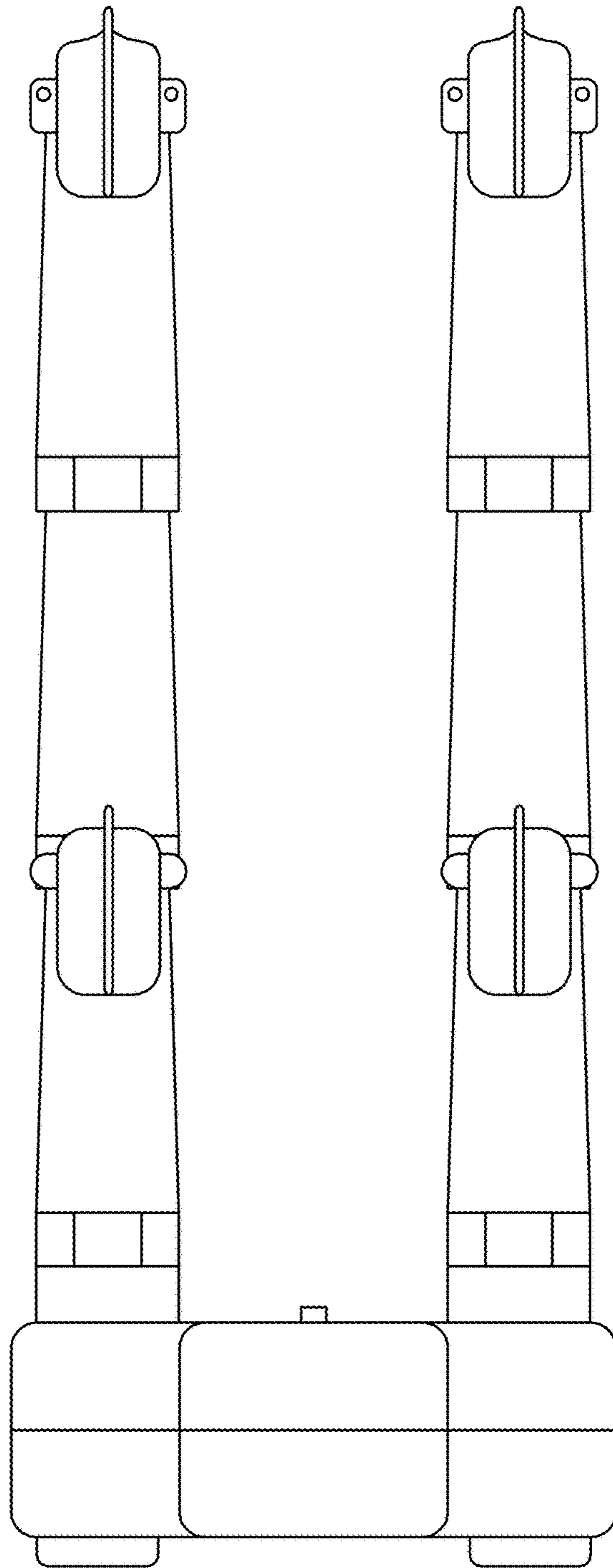


FIG. 4

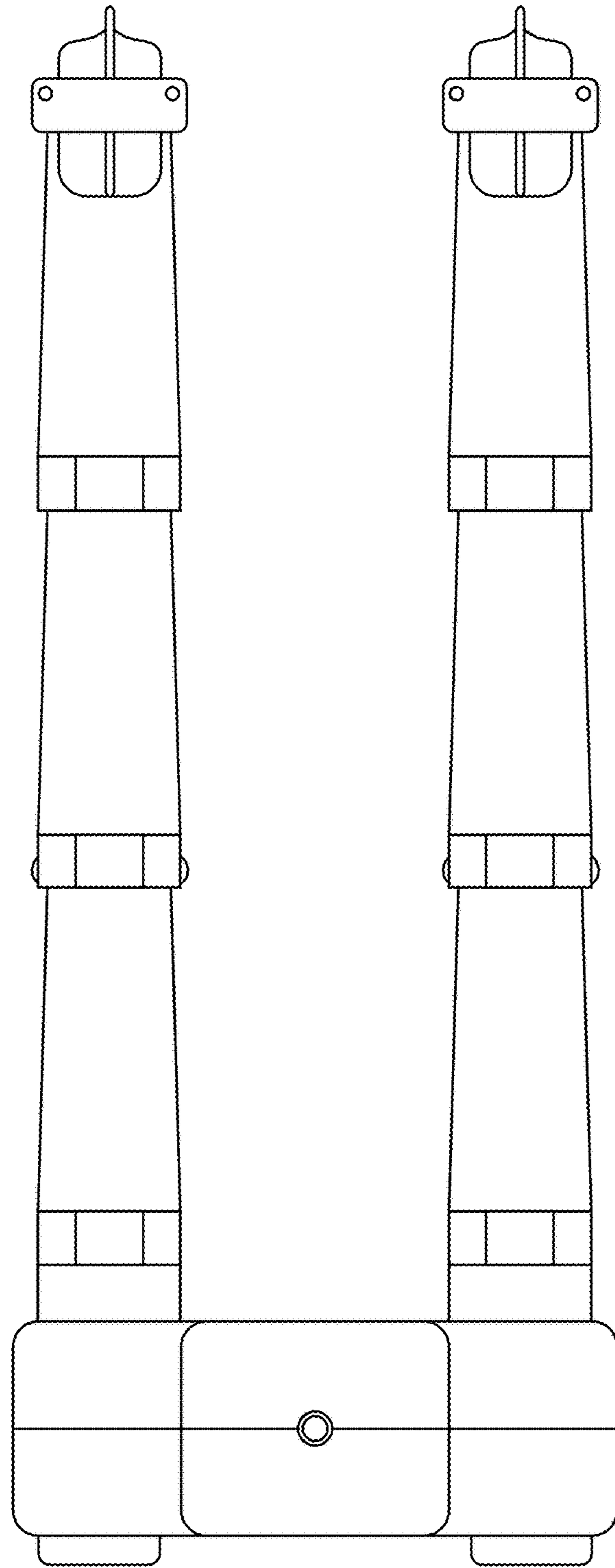


FIG. 5

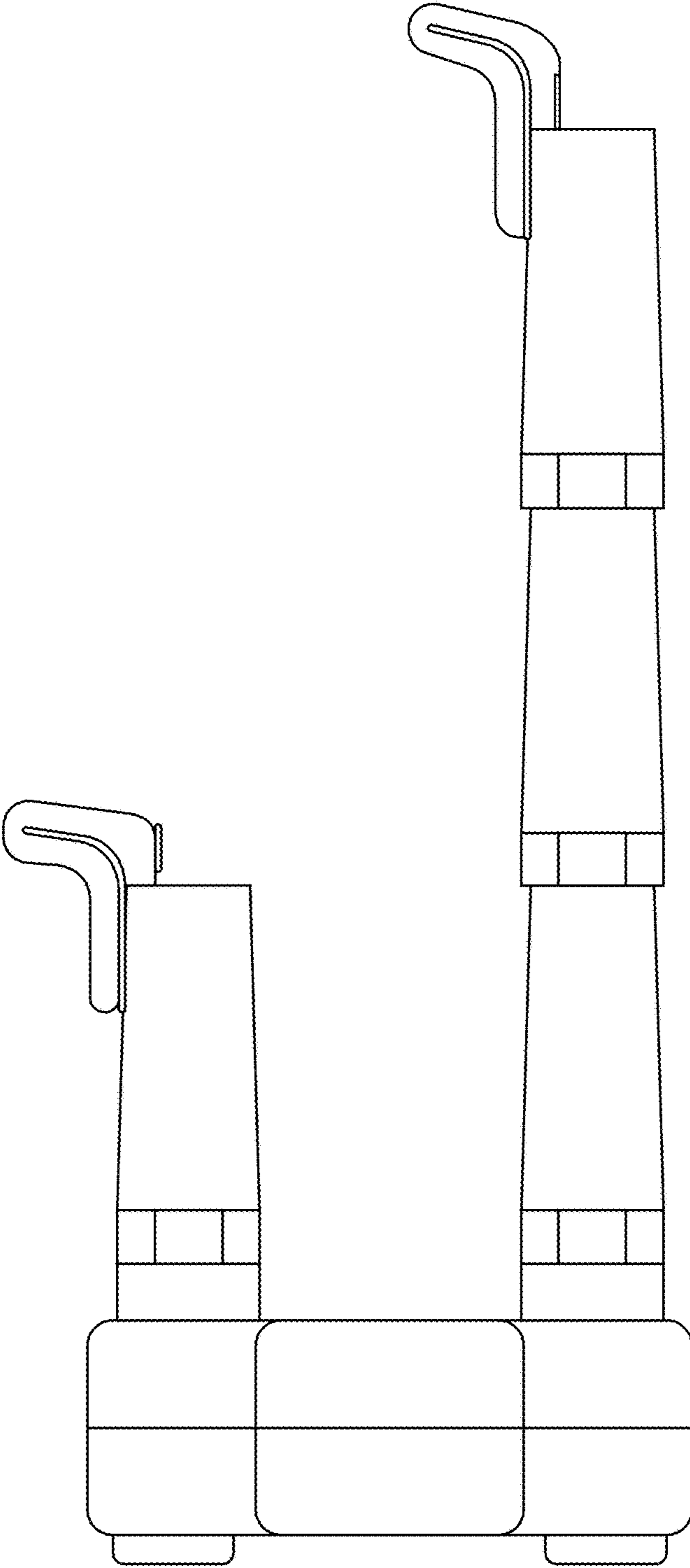


FIG. 6

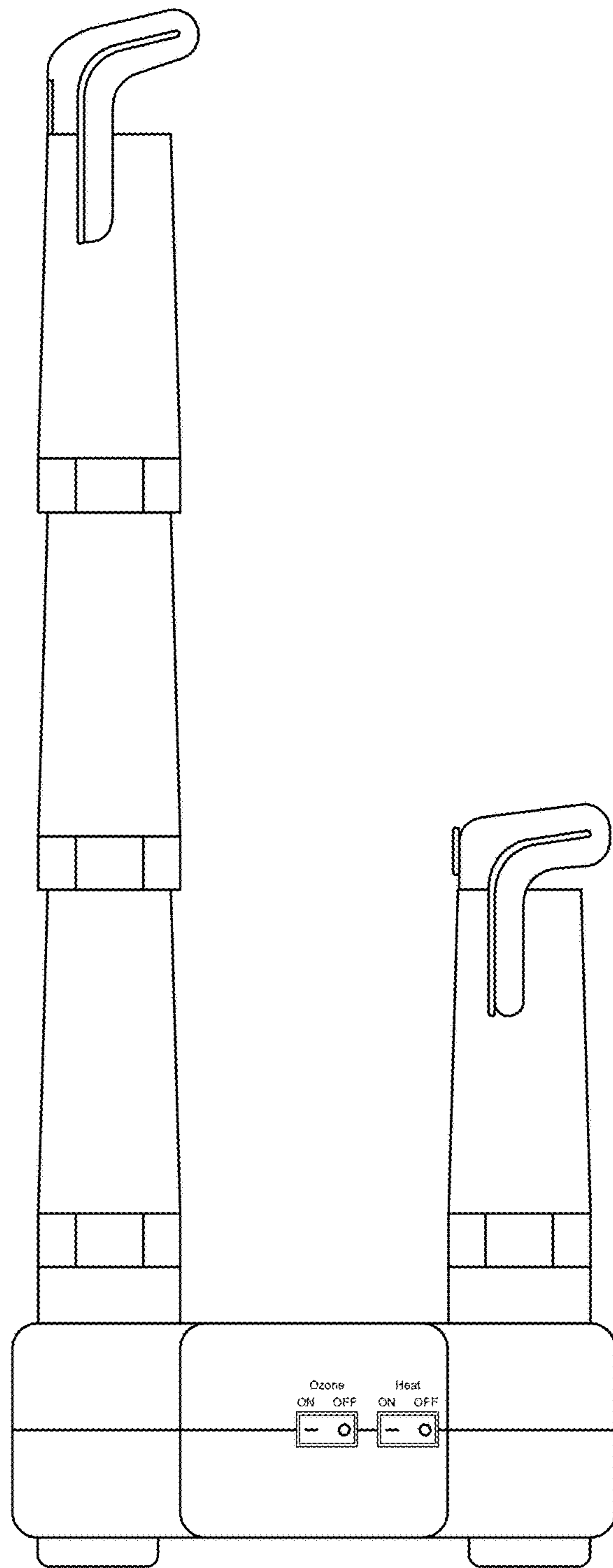


FIG. 7



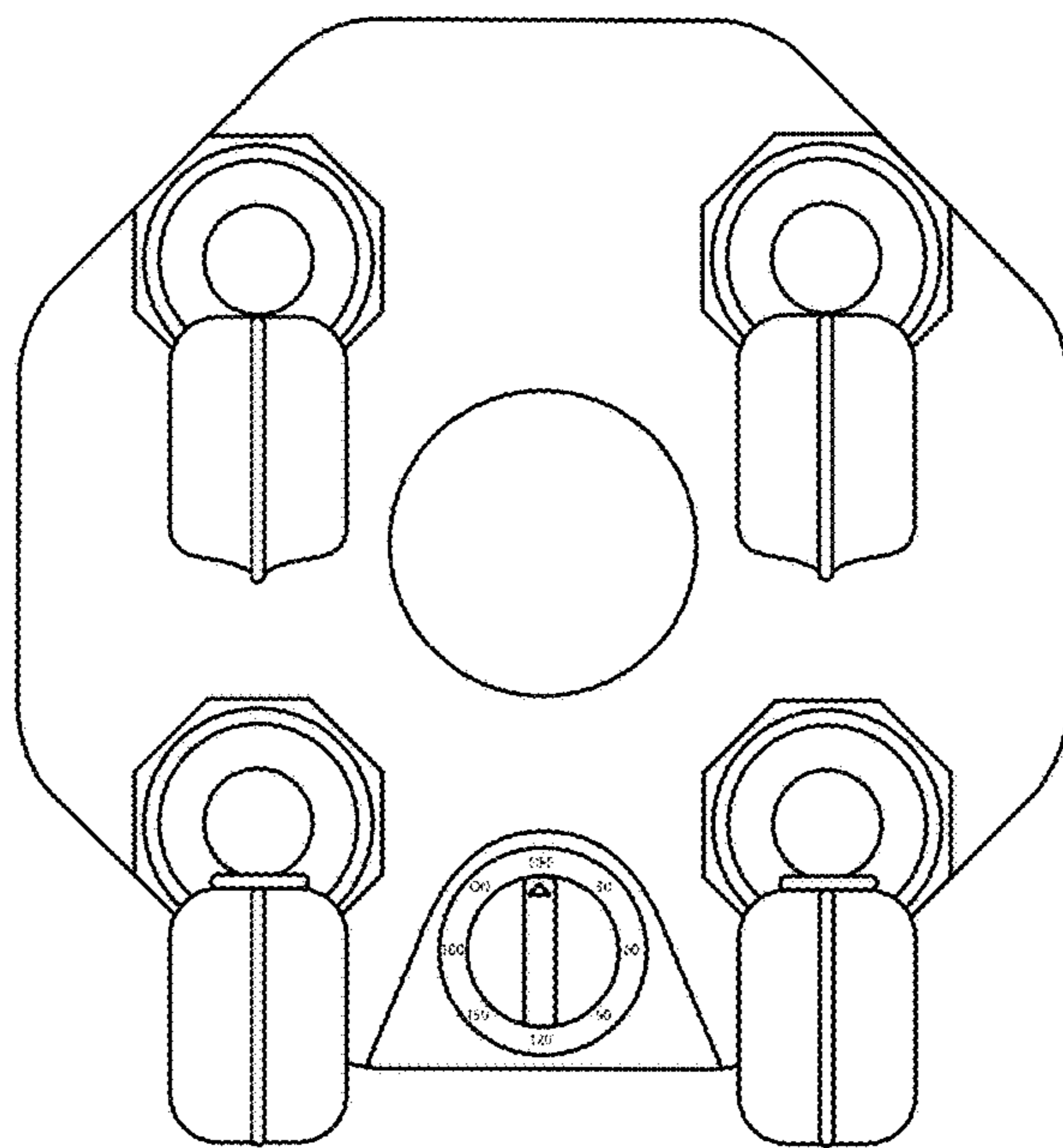


FIG. 8

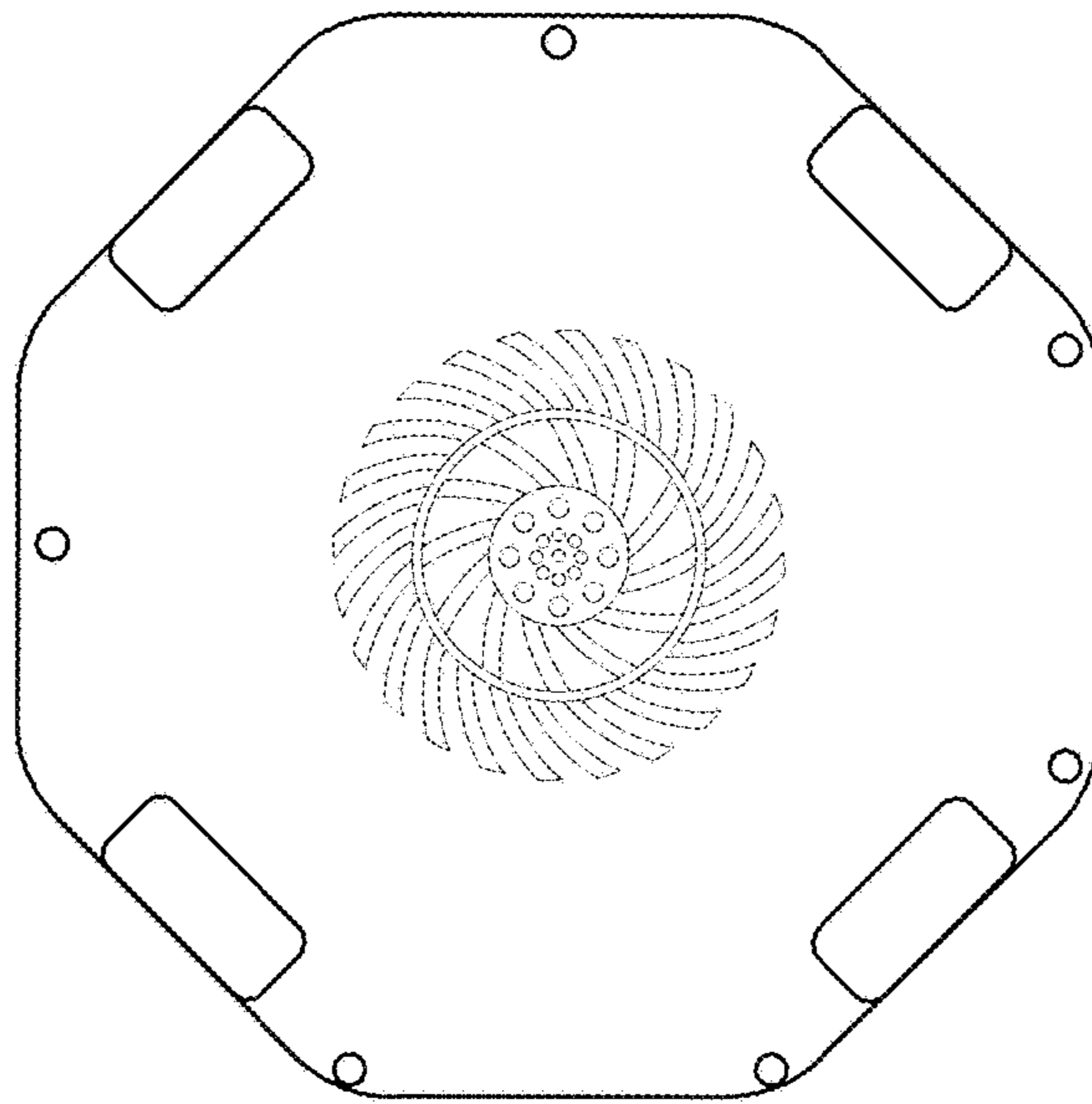


FIG. 9