

US00D869101S

(12) **United States Design Patent**
Omelchenko

(10) **Patent No.:** **US D869,101 S**

(45) **Date of Patent:** **** Dec. 3, 2019**

(54) **FOOD GUARD BOWL**

(71) Applicant: **Anatoliy Omelchenko**, Brooklyn, NY
(US)

(72) Inventor: **Anatoliy Omelchenko**, Brooklyn, NY
(US)

(**) Term: **15 Years**

(21) Appl. No.: **29/629,575**

(22) Filed: **Dec. 14, 2017**

(51) **LOC (12) Cl.** **30-03**

(52) **U.S. Cl.**

USPC **D30/129**

(58) **Field of Classification Search**

USPC D30/121, 122, 129-133; 119/61.5, 51.01,
119/61.56, 51.03, 59, 62, 63, 51.5, 57.8,
119/74, 61.54, 61.55; 312/204; 248/151,
248/188; 108/156, 153.1-157;
220/23.87, 630, 737, 743, 9.4, 495.01,
220/574, 212, 255, 23.83; 206/515;
D7/586, 543, 550.1, 587, 505, 584, 545,
D7/500, 553.1-553.8, 546, 555, 556, 504,
D7/565, 562, 602; D9/429; 43/109;
D22/122; 99/430, DIG. 15

CPC A01K 5/0114; A01K 5/01; A01K 5/0135;
A01K 7/005; A01K 7/00; A01K 7/02;
A01K 5/0142; A01K 5/0121; A01K
5/0128; A01K 27/004; A01K 39/014;
A01K 39/00; A01K 39/02; A01K
39/0113; A47J 43/0727; A01M 29/34;
B29C 65/48; B65D 81/36

See application file for complete search history.

(56) **References Cited**

U.S. PATENT DOCUMENTS

D132,178 S * 4/1942 Holslag D34/1
3,043,267 A * 7/1962 Blough A01K 7/06
119/75

D193,654 S * 9/1962 Voorhis D30/129
D217,060 S * 3/1970 Wilson D30/129
3,611,998 A * 10/1971 Loscalzo A01K 5/0114
119/61.54
3,914,803 A * 10/1975 Gregovski A47K 13/24
4/300.3
D249,110 S * 8/1978 Newmark D7/509
D254,754 S * 4/1980 Harrison D30/129
D257,526 S * 11/1980 Herbst D7/509
D300,278 S * 3/1989 Morrell 119/61.5
D373,932 S * 9/1996 Onneweer D7/315
D385,068 S * 10/1997 Malcolm D30/130
D386,861 S * 11/1997 Sutton D32/53
D403,555 S * 1/1999 Burns D7/509

(Continued)

Primary Examiner — Susan Moon Lee

(74) *Attorney, Agent, or Firm* — Larson & Larson, P.A.;
Justin P. Miller; Frank Liebenow

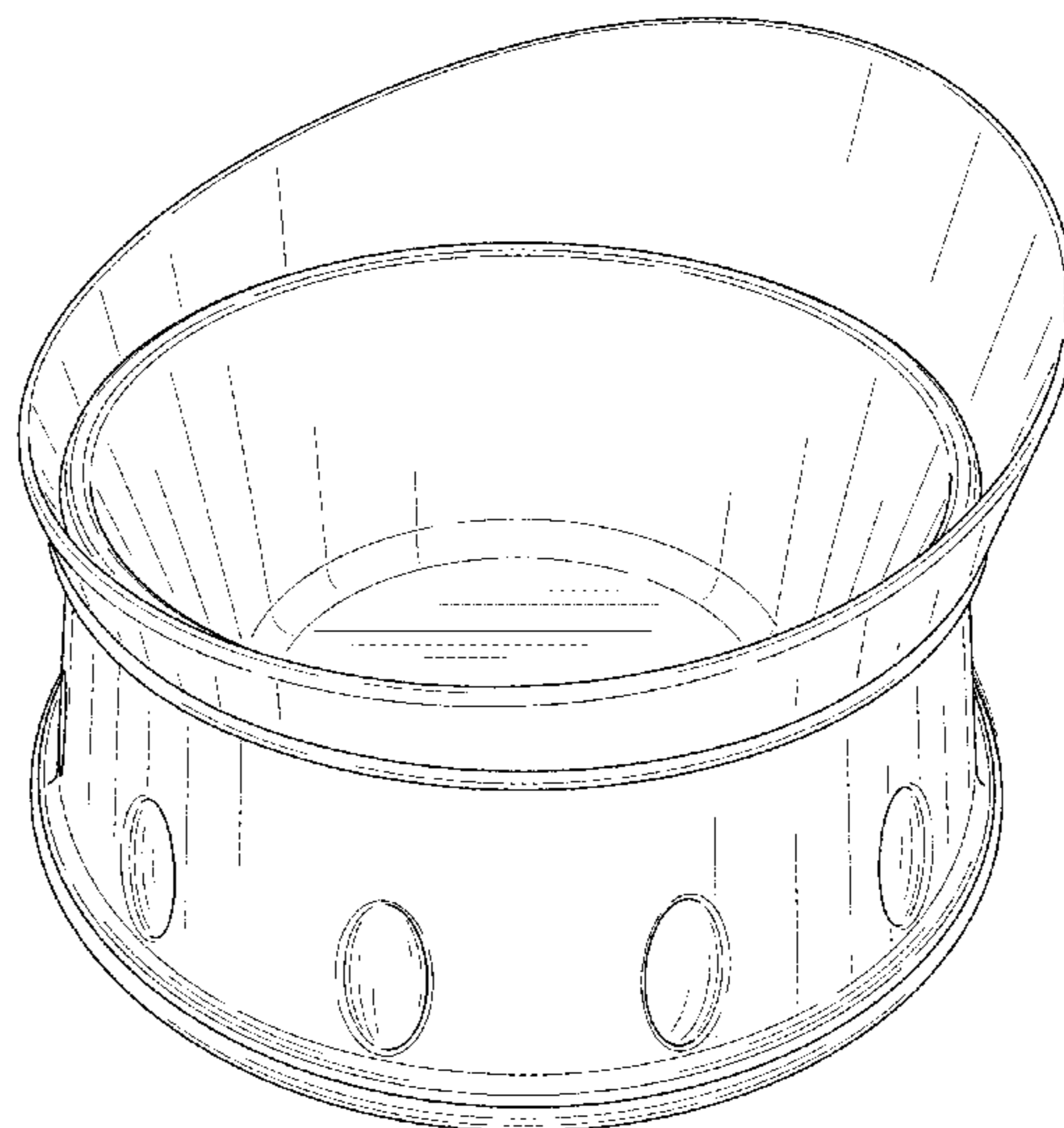
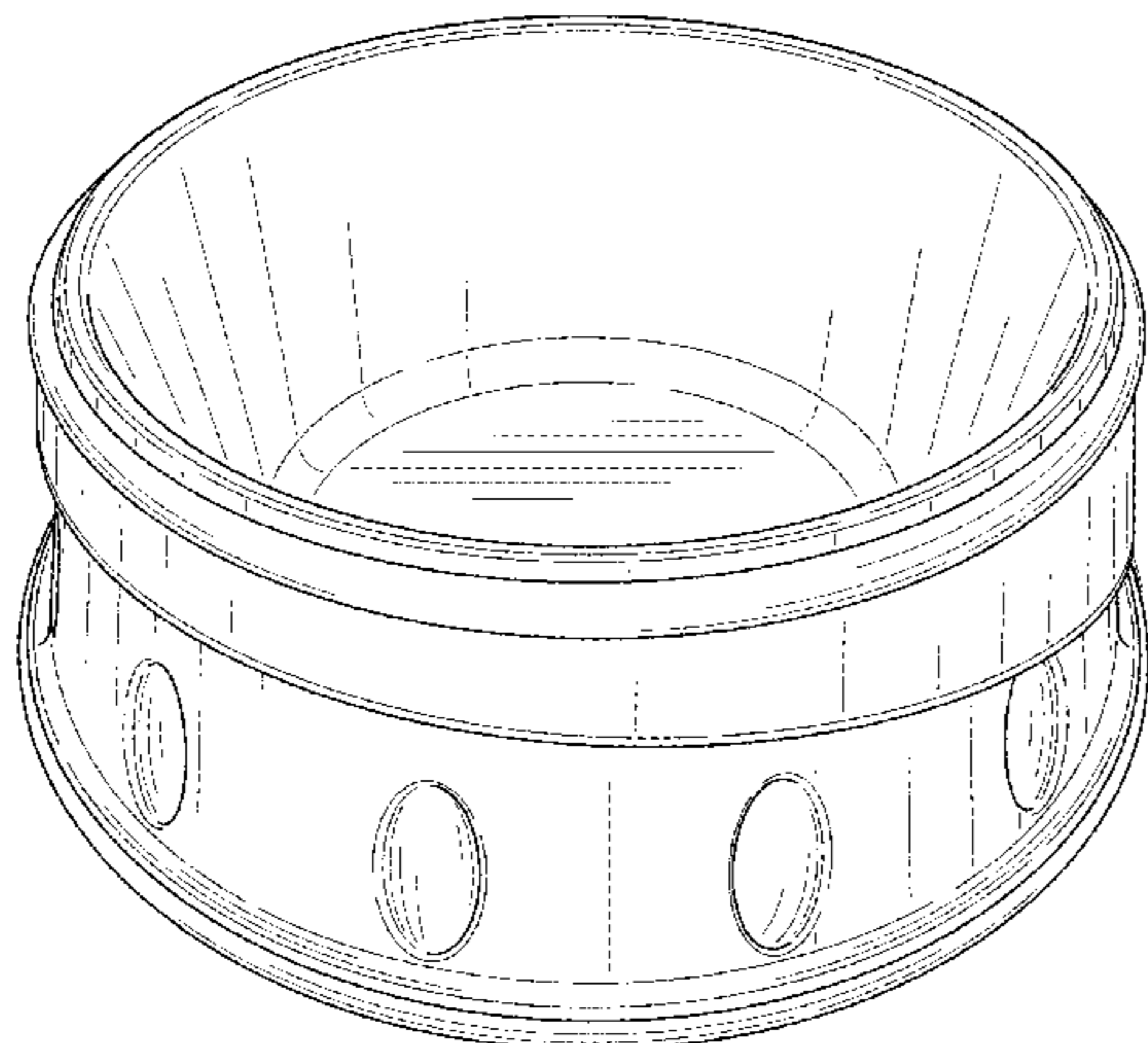
(57) **CLAIM**

I claim the ornamental design for a food guard bowl, as shown and described.

DESCRIPTION

FIG. 1 is a perspective view of a food guard bowl showing my new design with the guard down;
FIG. 2 is a right-side elevation view thereof;
FIG. 3 is a left-side elevation view thereof;
FIG. 4 is a front elevation view thereof;
FIG. 5 is a back elevation thereof;
FIG. 6 is a top plan view thereof;
FIG. 7 is a bottom plan view thereof;
FIG. 8 is a perspective view thereof, showing the food guard bowl with the guard up;
FIG. 9 is a right-side elevation view thereof;
FIG. 10 is a left-side elevation view thereof;
FIG. 11 is a front elevation view thereof;
FIG. 12 is a back elevation thereof;
FIG. 13 is a top plan view thereof; and,
FIG. 14 is a bottom plan view thereof.

1 Claim, 10 Drawing Sheets



(56)

References Cited

U.S. PATENT DOCUMENTS

D405,561 S * 2/1999 Willinger D30/129
 D405,689 S * 2/1999 Moon D9/433
 D423,733 S * 4/2000 Choi D30/129
 D432,280 S * 10/2000 Quinlan D30/129
 D456,216 S * 4/2002 Kothe D7/549
 D459,841 S * 7/2002 Ross D30/129
 D465,884 S * 11/2002 Ross D30/129
 D472,021 S * 3/2003 Northrop D30/129
 D491,321 S * 6/2004 Wolf D30/129
 D491,322 S * 6/2004 Wolf D30/129
 6,758,390 B2 * 7/2004 Sarson B65D 3/20
 229/125.02
 D493,664 S * 8/2004 Siegel D7/354
 D498,500 S * 11/2004 Stoddard D19/75
 D504,196 S * 4/2005 Huthmaker D30/129
 6,955,289 B2 * 10/2005 Green B65D 3/20
 229/125.17
 D601,385 S * 10/2009 Savage D7/543
 D607,616 S * 1/2010 Newsome D30/129
 7,789,041 B1 * 9/2010 Taylor A01K 5/0114
 119/51.01
 D636,944 S * 4/2011 Anderson D30/129
 D636,946 S * 4/2011 Able D30/129
 D644,388 S * 8/2011 Quan D34/1
 D646,852 S * 10/2011 Chance D30/129
 D648,492 S * 11/2011 Able D30/129

D681,885 S * 5/2013 Pitter D30/121
 D683,190 S * 5/2013 Shields D30/129
 D685,608 S * 7/2013 Bangert D7/509
 8,516,975 B2 * 8/2013 Becattini, Jr. A01K 7/005
 119/51.5
 D704,902 S * 5/2014 Wu D30/129
 D721,860 S * 1/2015 Parks D30/129
 D722,824 S * 2/2015 Albert D7/509
 D744,276 S * 12/2015 Olin D7/392.1
 D745,331 S * 12/2015 Magri D7/587
 D757,208 S * 5/2016 Ferman D22/125
 D757,373 S * 5/2016 Breit D30/129
 D762,420 S * 8/2016 Boyden D30/130
 D774,834 S * 12/2016 Breit D7/587
 D816,279 S * 4/2018 Peninger D30/129
 D818,207 S * 5/2018 Nero D30/129
 D830,007 S * 10/2018 Harris D30/129
 D830,646 S * 10/2018 Kerr D30/129
 D850,858 S * 6/2019 Roaks D7/555
 2007/0272163 A1 * 11/2007 Leary A01K 5/0135
 119/61.54
 2008/0072830 A1 * 3/2008 Wrigge A01K 5/0142
 119/61.53
 2012/0104214 A1 * 5/2012 St. Jacques A01K 5/0135
 248/346.5
 2015/0250138 A1 * 9/2015 McKinnon A01K 5/0128
 119/61.5
 2017/0280676 A1 * 10/2017 Mendez A01K 7/005
 2017/0280904 A1 * 10/2017 Laurain A47G 19/02

* cited by examiner

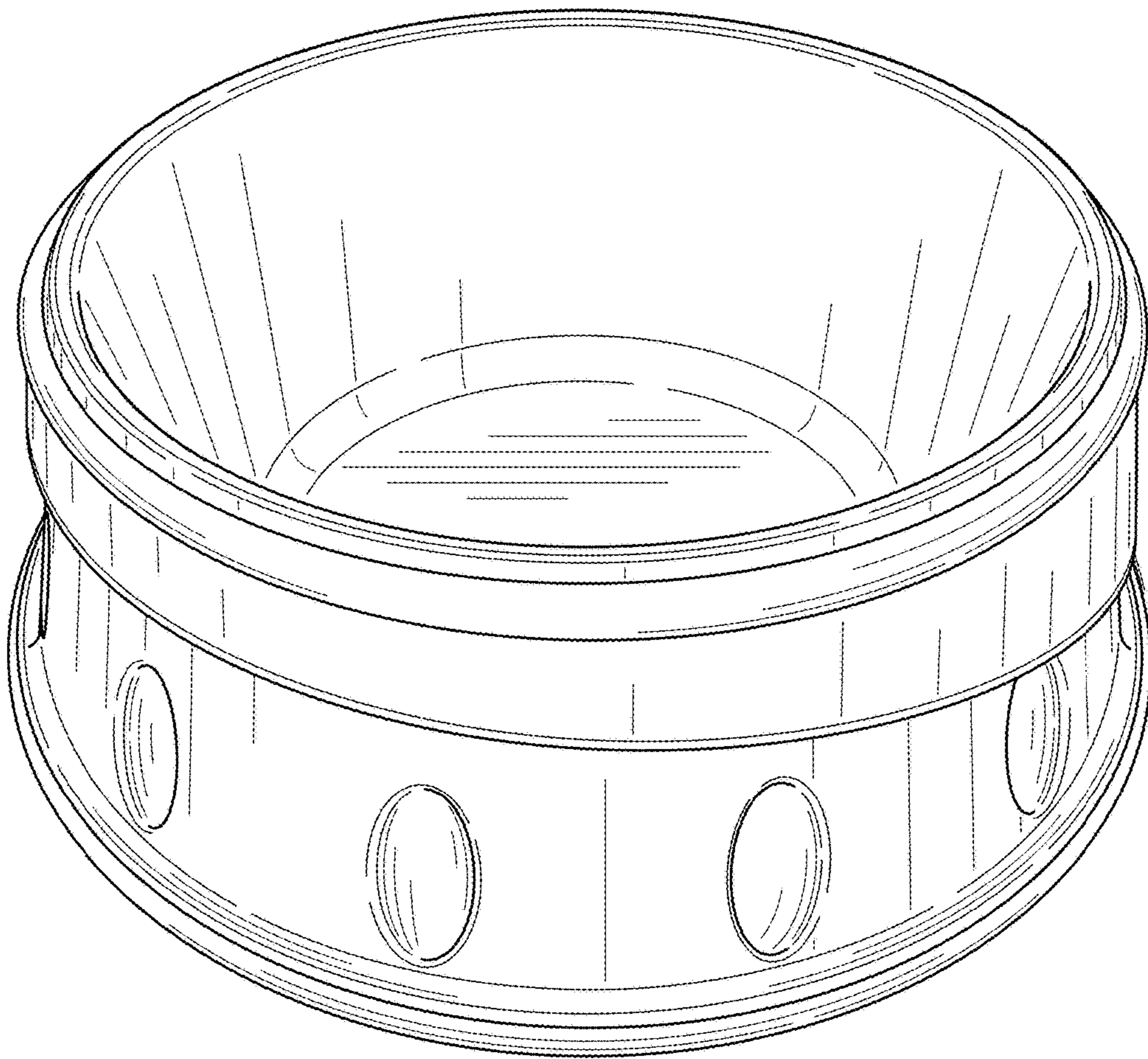


FIG. 1

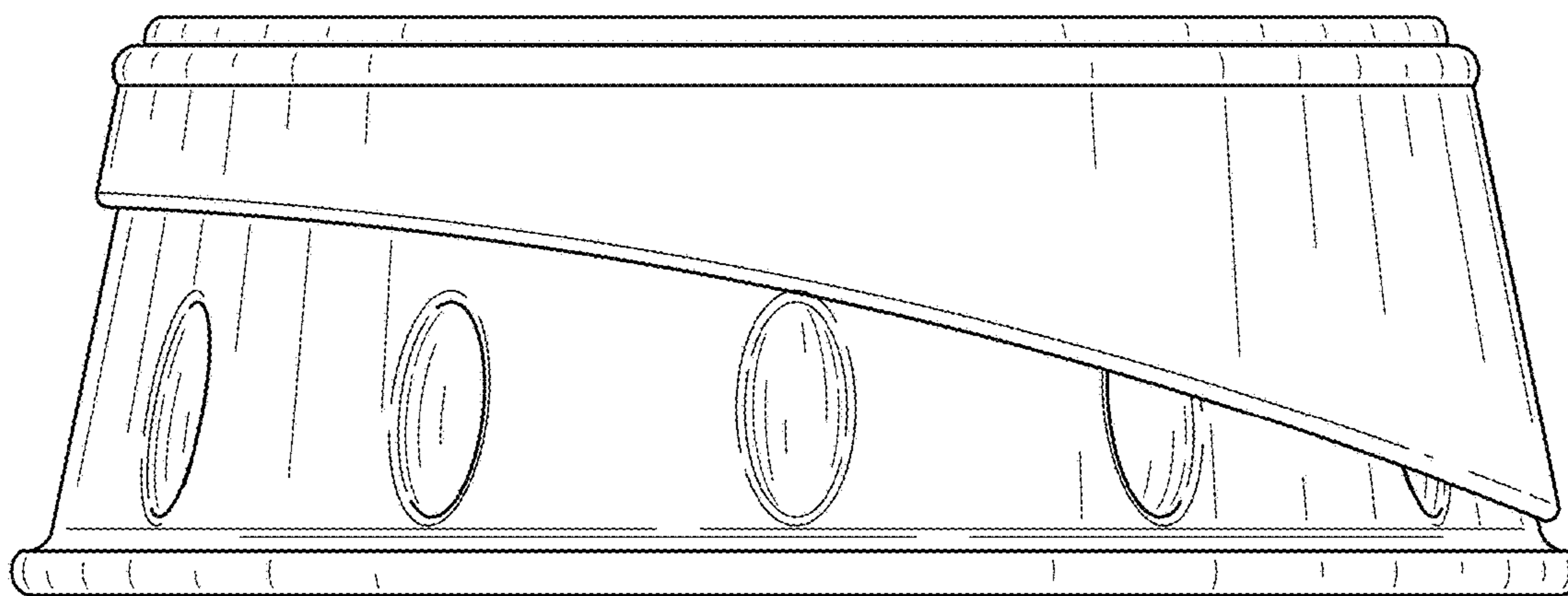


FIG. 2

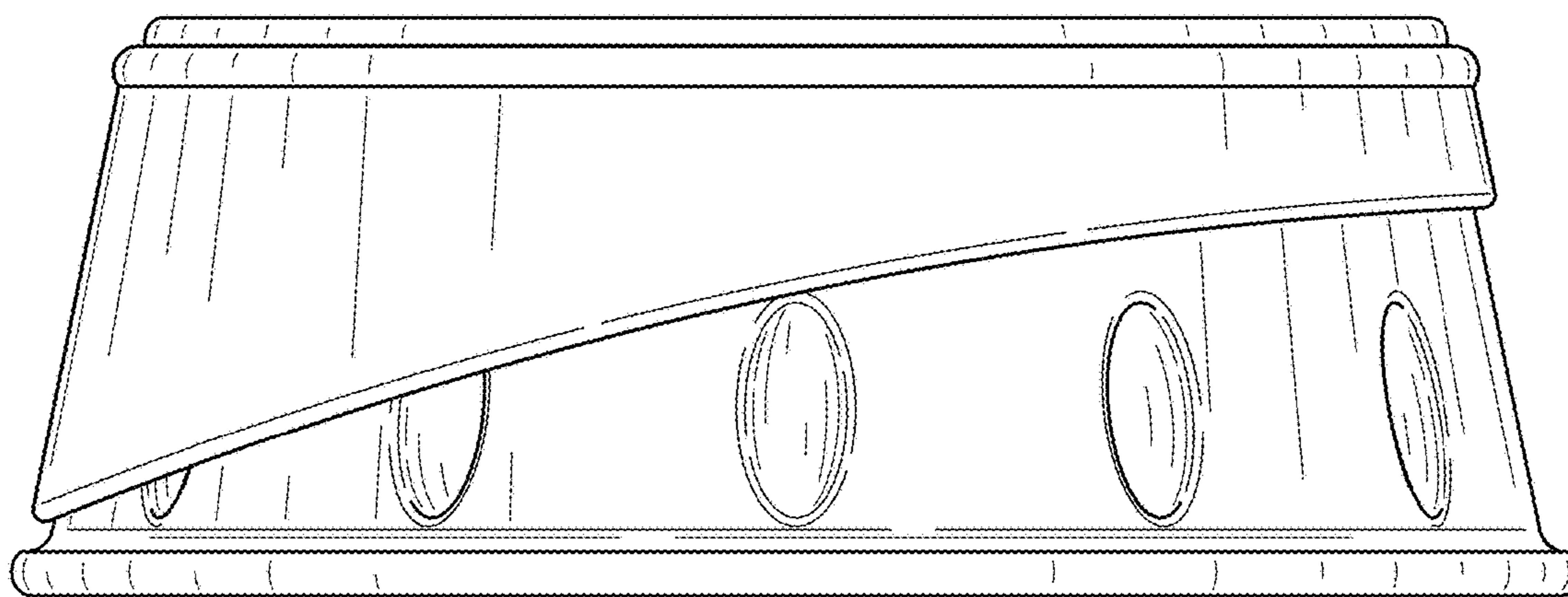


FIG. 3

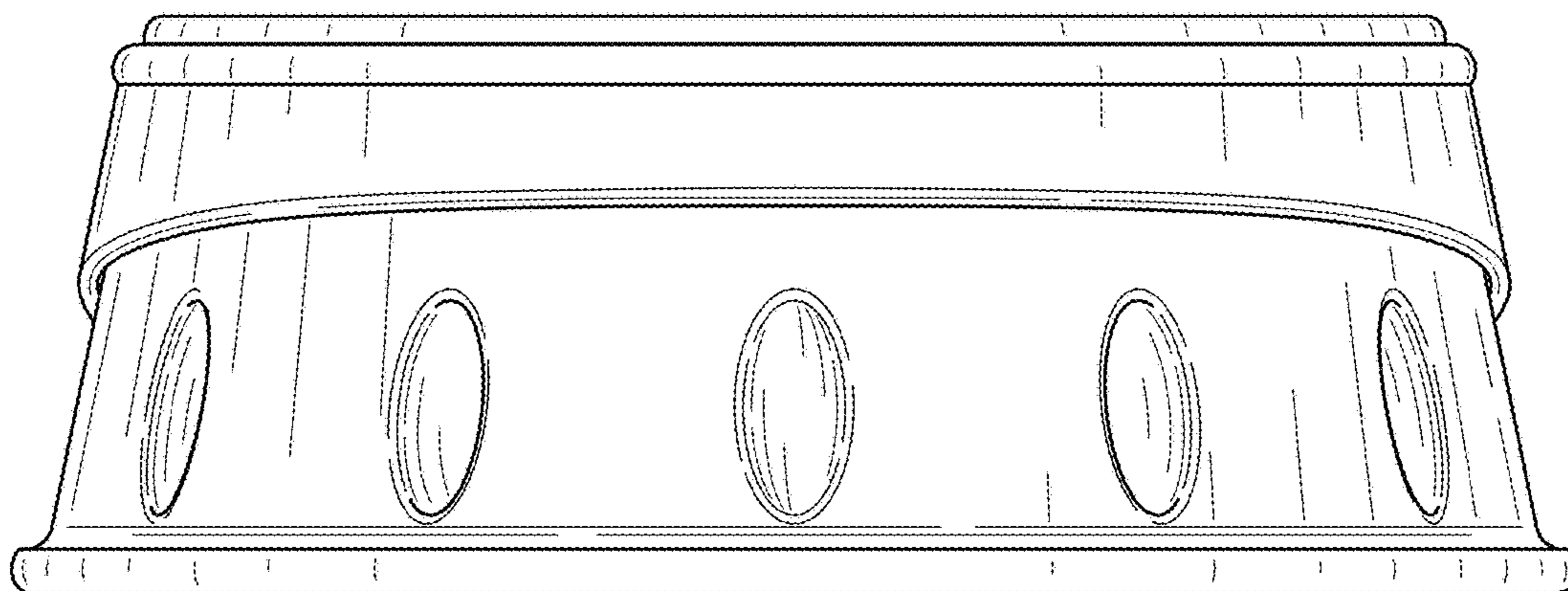


FIG. 4

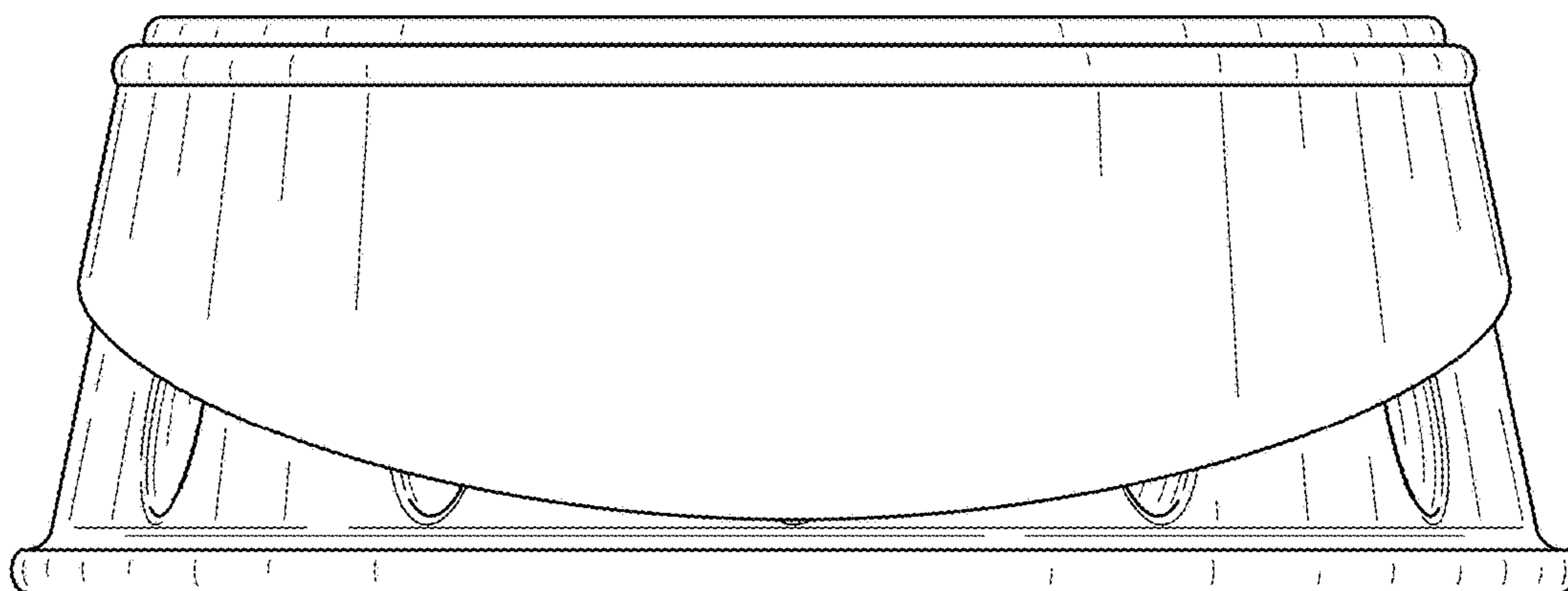


FIG. 5

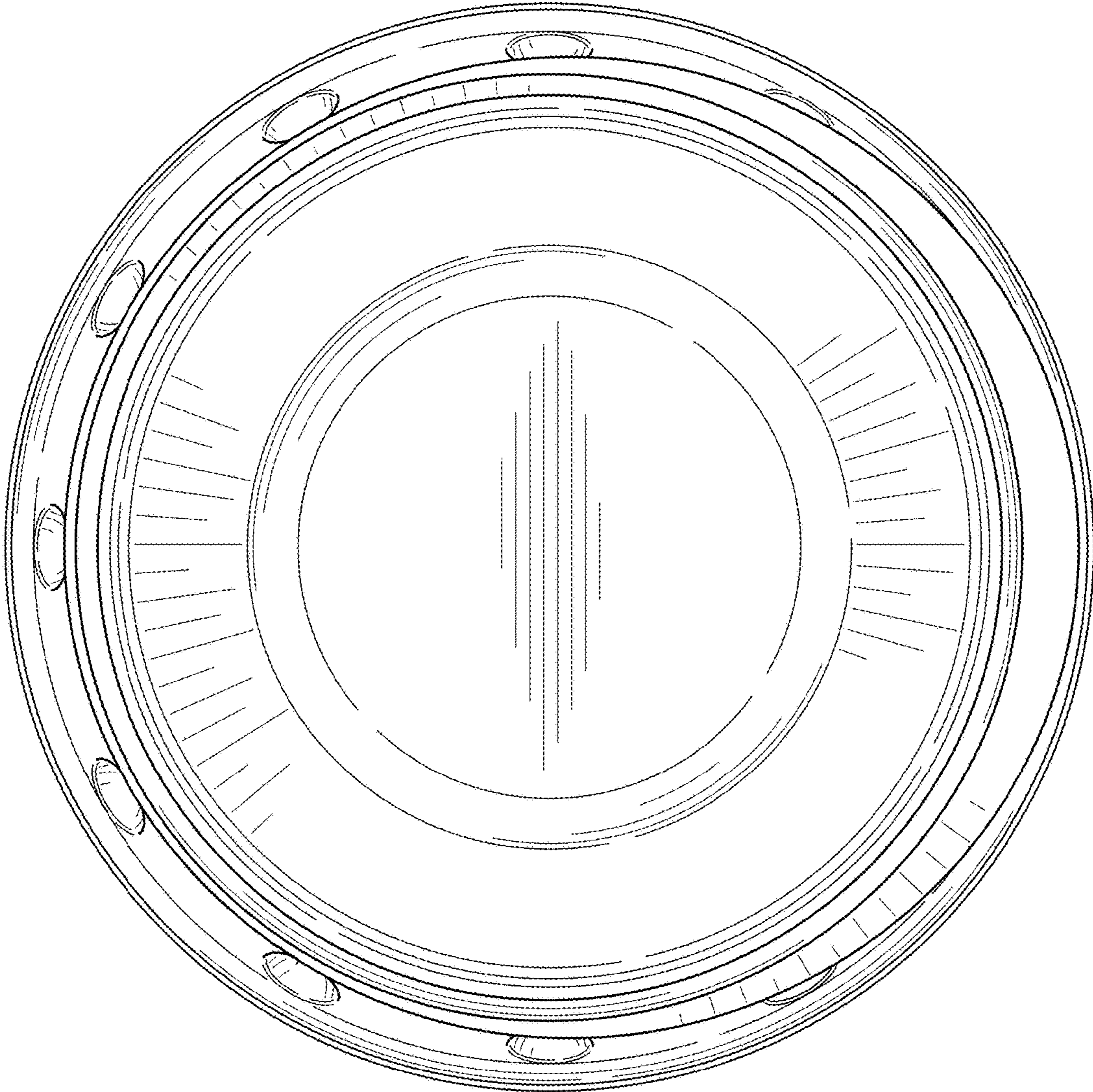


FIG. 6

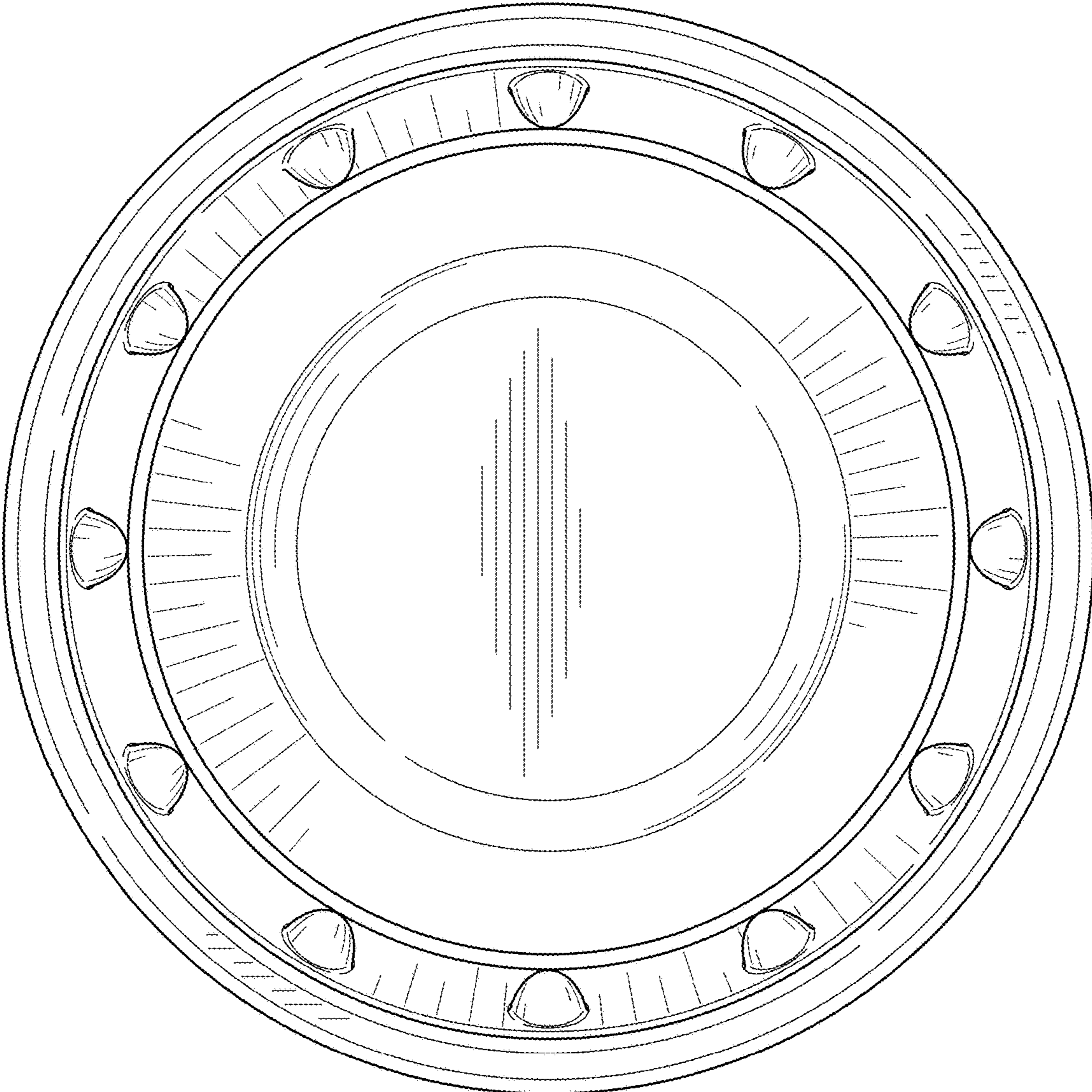


FIG. 7

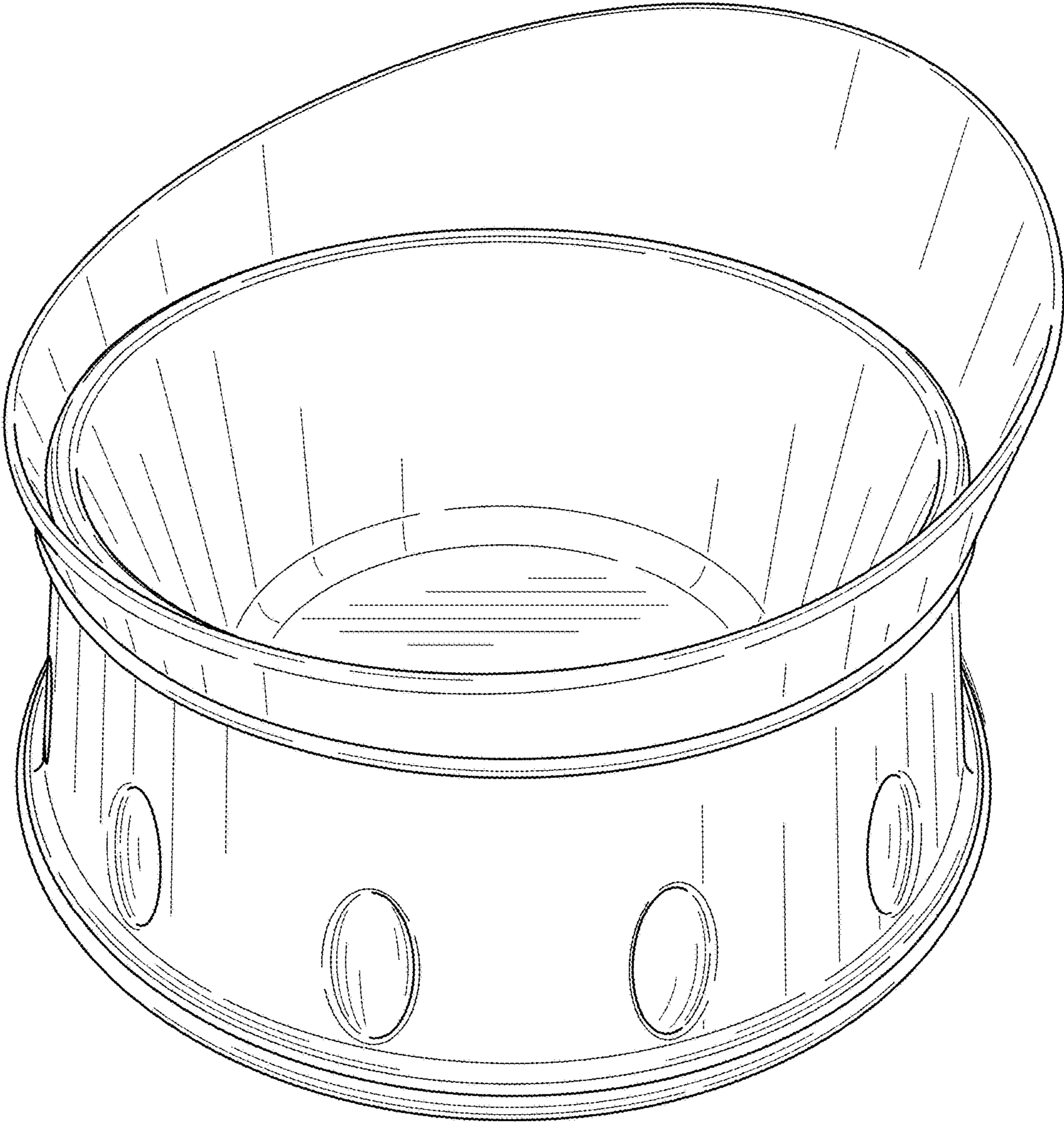


FIG. 8

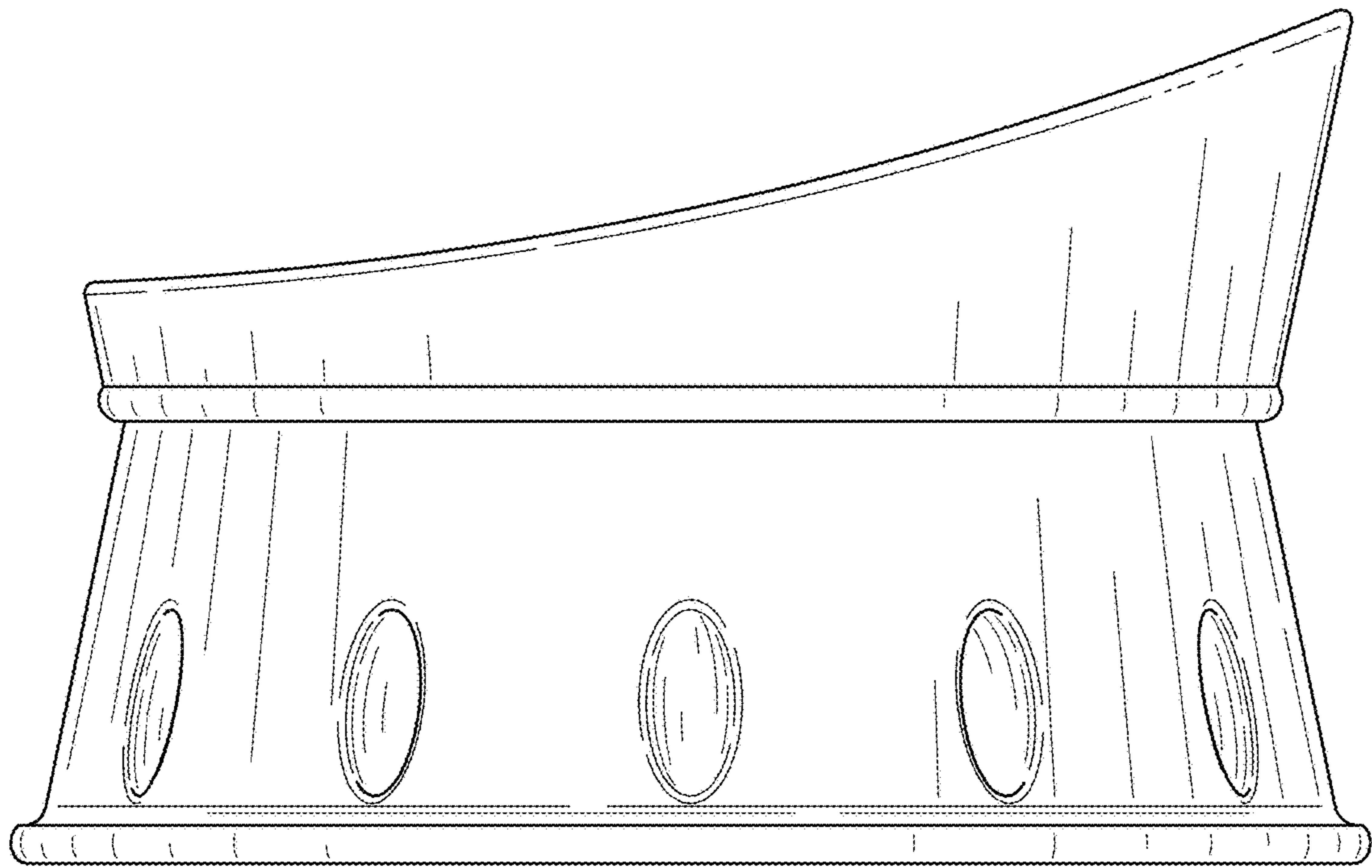


FIG. 9

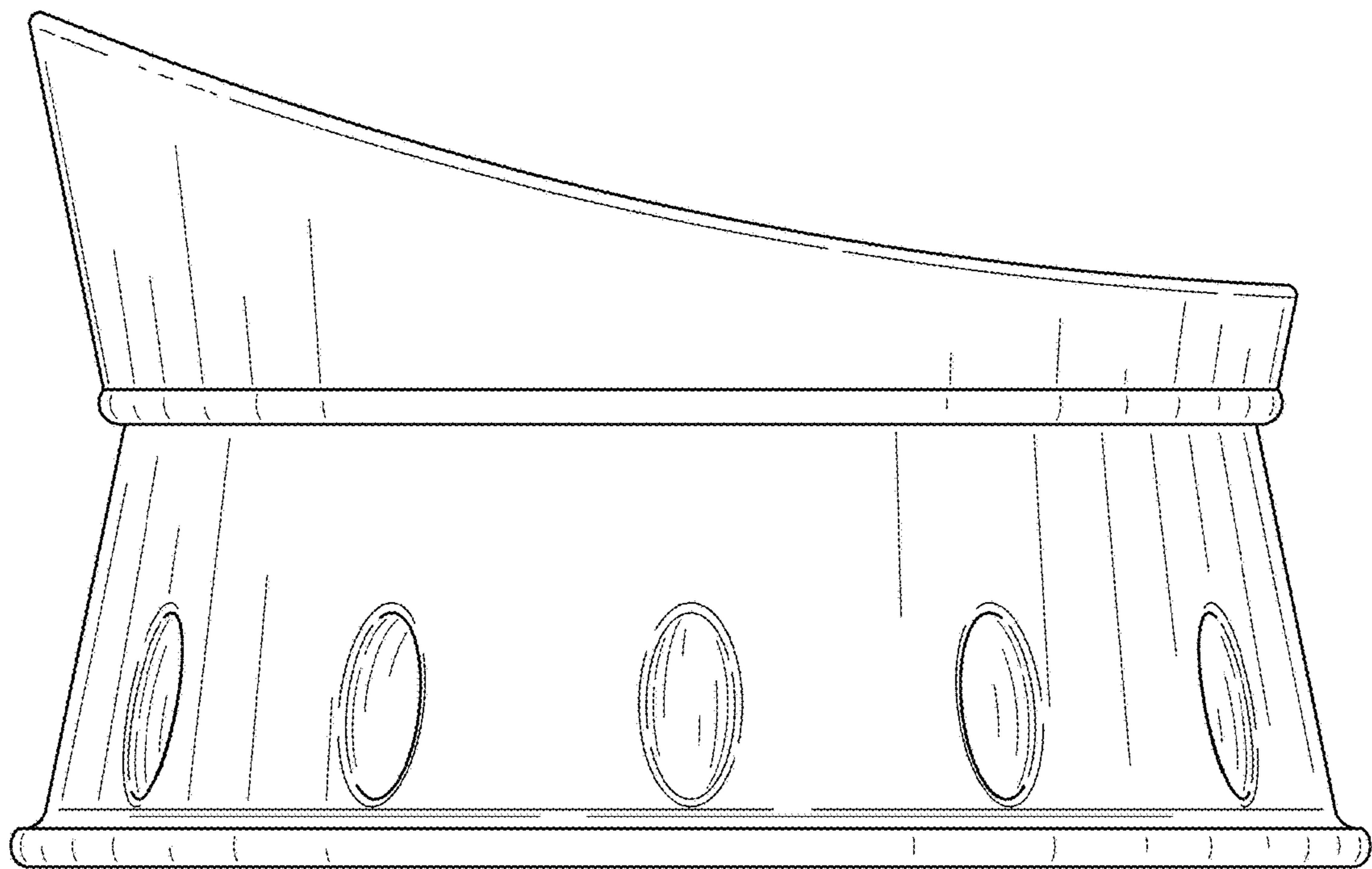


FIG. 10

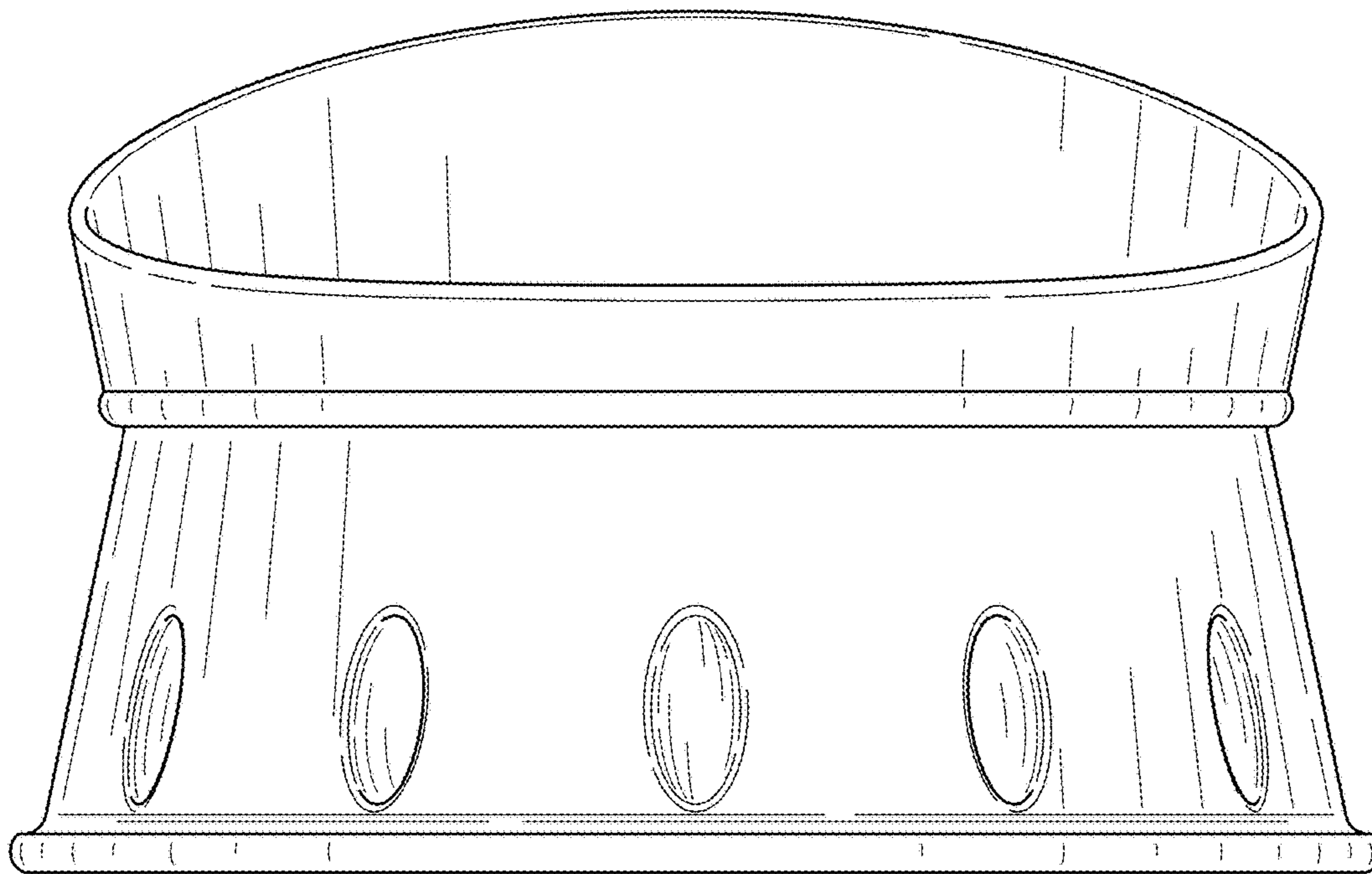


FIG. 11

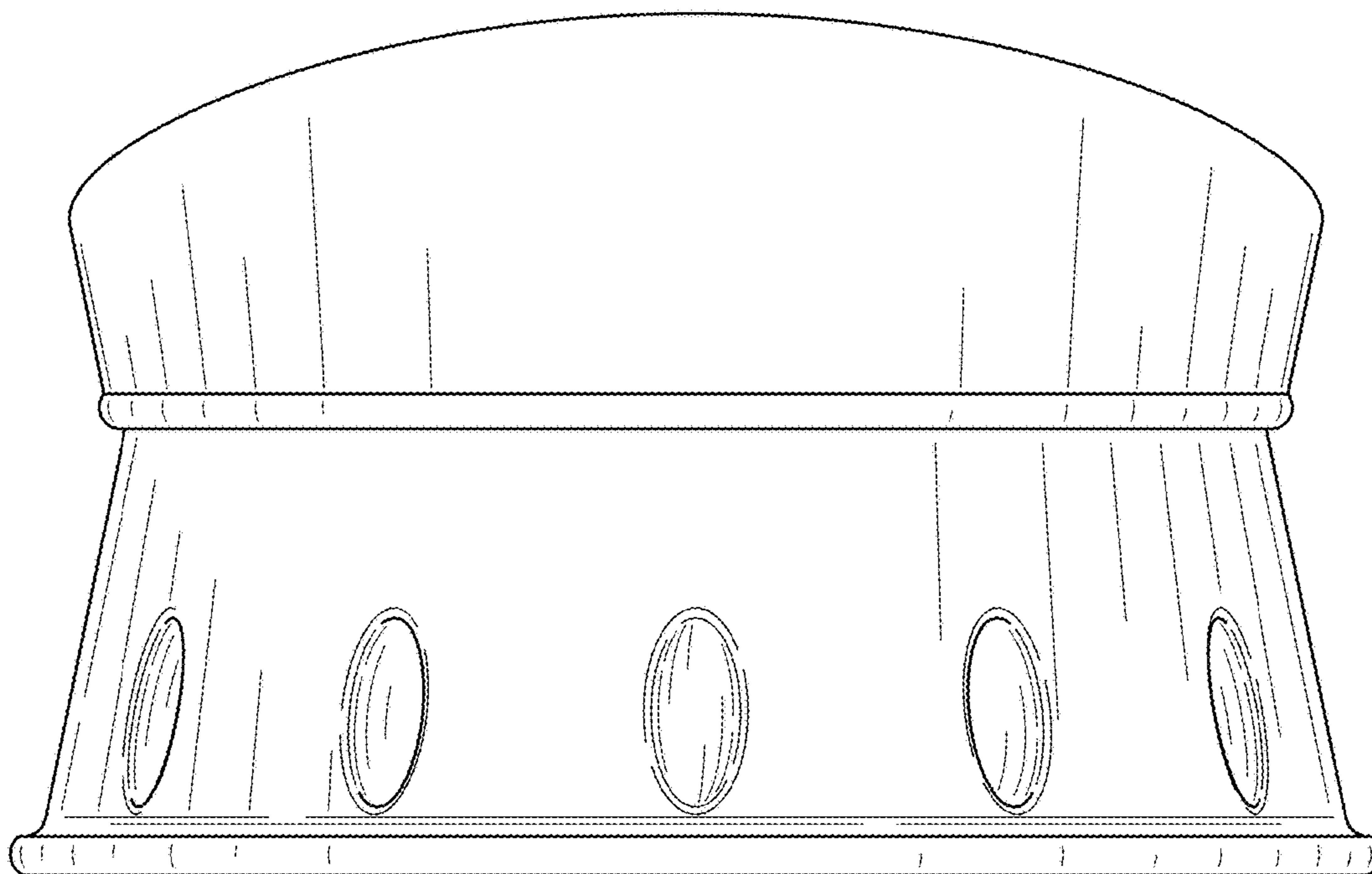


FIG. 12

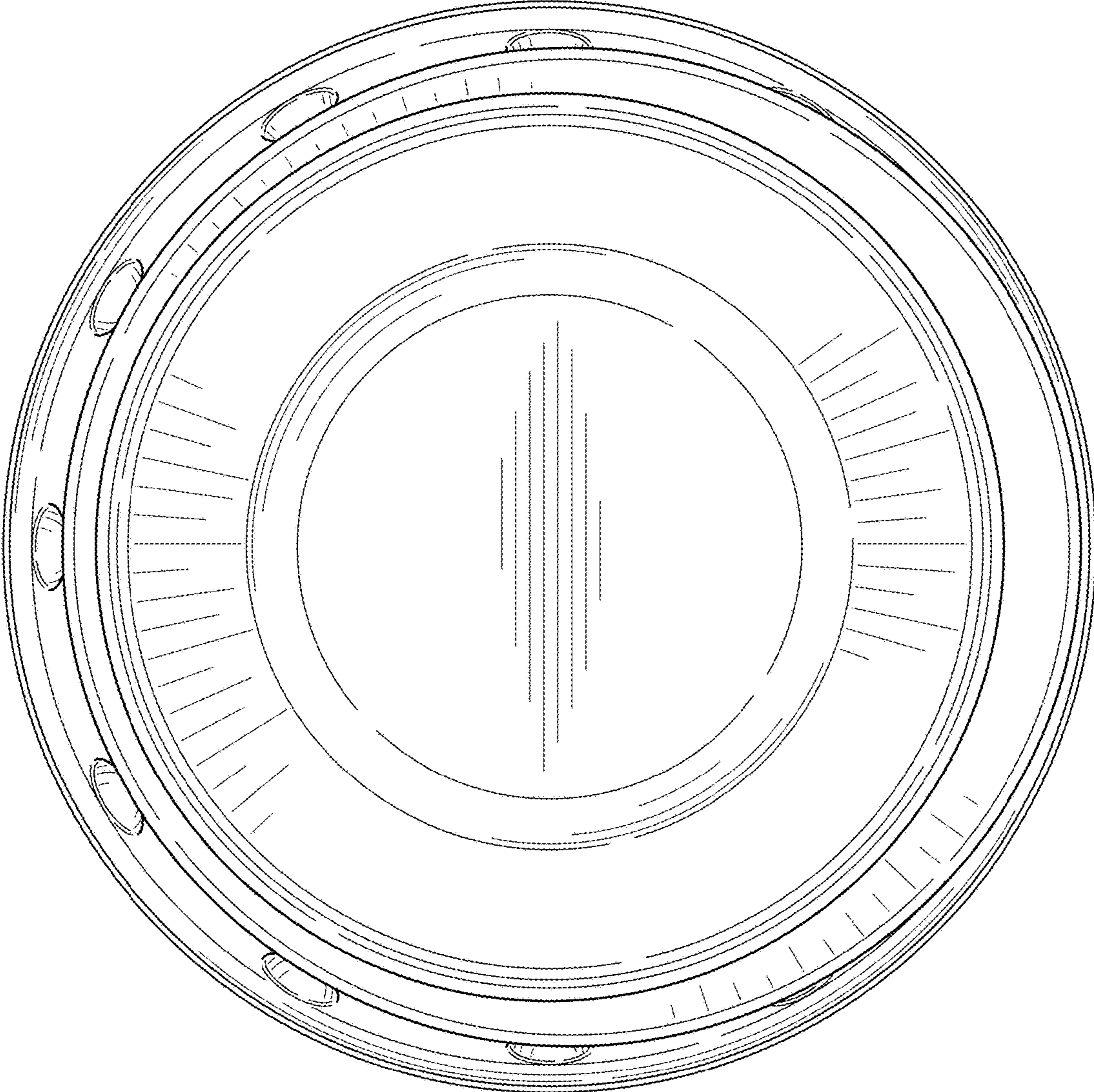


FIG. 13

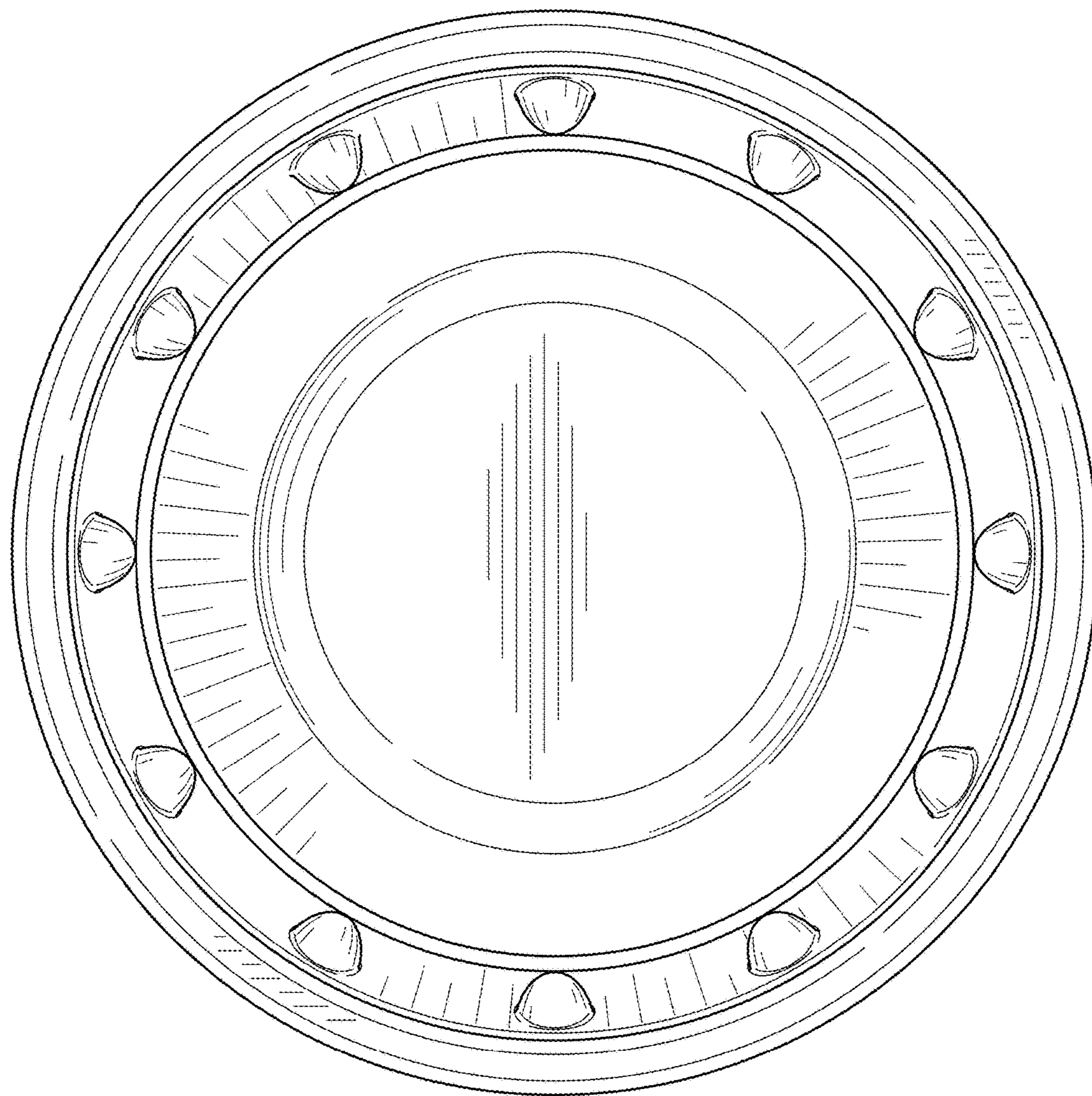


FIG. 14