



US00D869096S

(12) **United States Design Patent**
Langlois et al.

(10) **Patent No.:** **US D869,096 S**
(45) **Date of Patent:** **** Dec. 3, 2019**

- (54) **BOTTOM PORTION OF A FACE SHIELD**
- (71) Applicant: **SPORT MASKA INC.**, Montréal (CA)
- (72) Inventors: **Simon Langlois**,
Notre-Dame-de-l'Île-Perrot (CA); **Brian Steenbrink**,
Pointe-Claire (CA); **Pierre-Luc Beauchamp**,
Montréal (CA); **Thierry Petelle**,
Montréal (CA)
- (73) Assignee: **Sport Maska Inc.**, Montreal, Quebec (CA)

7,540,034 B2 * 6/2009 Bologna A42B 3/20
2/424
D620,203 S * 7/2010 Broersma D29/107
D838,922 S * 1/2019 Withnall D29/122

(**) Term: **15 Years**

(21) Appl. No.: **29/661,505**

(22) Filed: **Aug. 28, 2018**

(51) **LOC (12) Cl.** **29-02**

(52) **U.S. Cl.**

USPC **D29/122**; D29/108

(58) **Field of Classification Search**

USPC D29/102-107, 108, 110, 122; 2/6.1-6.3,
2/6.5, 6.7, 172, 175.1, 175.6, 175.7,
2/195.1, 209, 410, 422-425, 455, 909,
2/918, 920; D2/891; D5/63; D24/190,
D24/191; 128/864, 866, 867

CPC A42B 3/00; A42B 3/163; A42B 3/166;
A42B 3/16; A42B 3/18; A42B 3/20;
A42B 3/22; A42B 3/221; A42B 3/228;
A42B 3/066; A42B 3/06; A63B 71/10;
A61F 11/008

See application file for complete search history.

(56) **References Cited**

U.S. PATENT DOCUMENTS

5,483,699 A * 1/1996 Pernicka A42B 3/22
2/424
6,938,272 B1 * 9/2005 Brown A42B 3/20
2/424

OTHER PUBLICATIONS

Perani's Hockey World, "Bauer Recon Gull Shield (X200)", 2005,
<https://www.hockeyworld.com/Bauer-Recon-Full-Shield-X200>.
Fisher Sports GmbH, "MG Full Shield Visor", [retrieved on Nov. 22, 2018]. Retrieved from the Internet: <URL:https://www.fischersports.com/it_it/hockey/protective/visors>.
MonkeySports, Inc., "Avision Ahead Elite Combo Mask", [retrieved on Nov. 22, 2018]. Retrieved from the Internet: <URL:<https://www.hockeymonkey.ca/fr/avision-hockey-face-cage-avh-elite-sr.html>>.
Sportium, "Bauer Senior Visor", [retrieved on Nov. 26, 2018]. Retrieved from the Internet: <URL: <https://www.sportium.ca/en/bauer-visiere-bauer-senior-251397>>.

* cited by examiner

Primary Examiner — Randall H Gholson

(74) *Attorney, Agent, or Firm* — Thomas|Horstemeyer, LLP

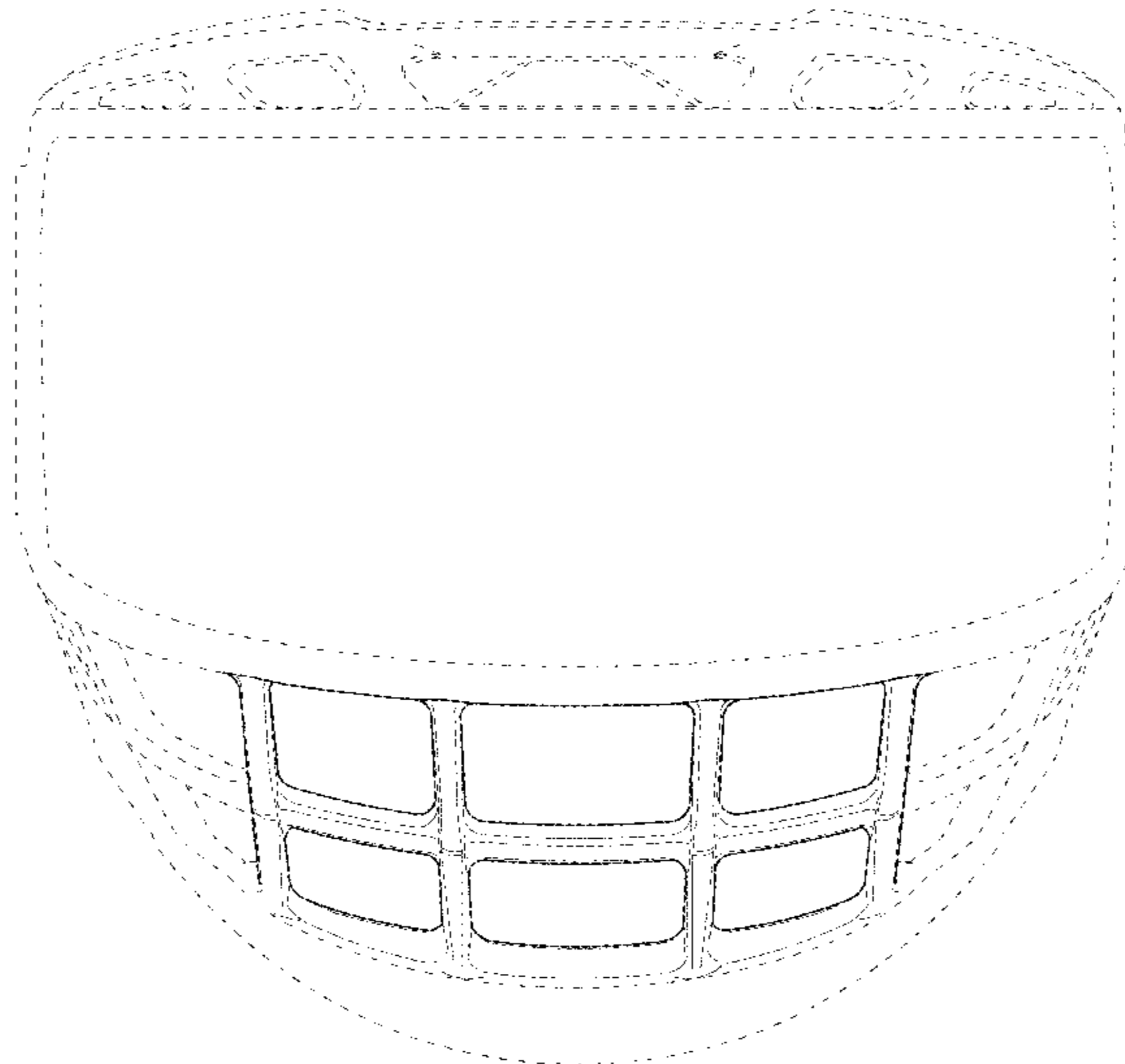
(57) **CLAIM**

The ornamental design for a bottom portion of a face shield, as shown and described.

DESCRIPTION

FIG. 1 is a front elevational view of a bottom portion of a face shield according to the present design;
FIG. 2 is a first side elevational view of the face shield bottom portion of FIG. 1; and,
FIG. 3 is a second side elevational view of the face shield bottom portion of FIG. 1.
The broken lines represent portions that form no part of the claimed design.

1 Claim, 3 Drawing Sheets



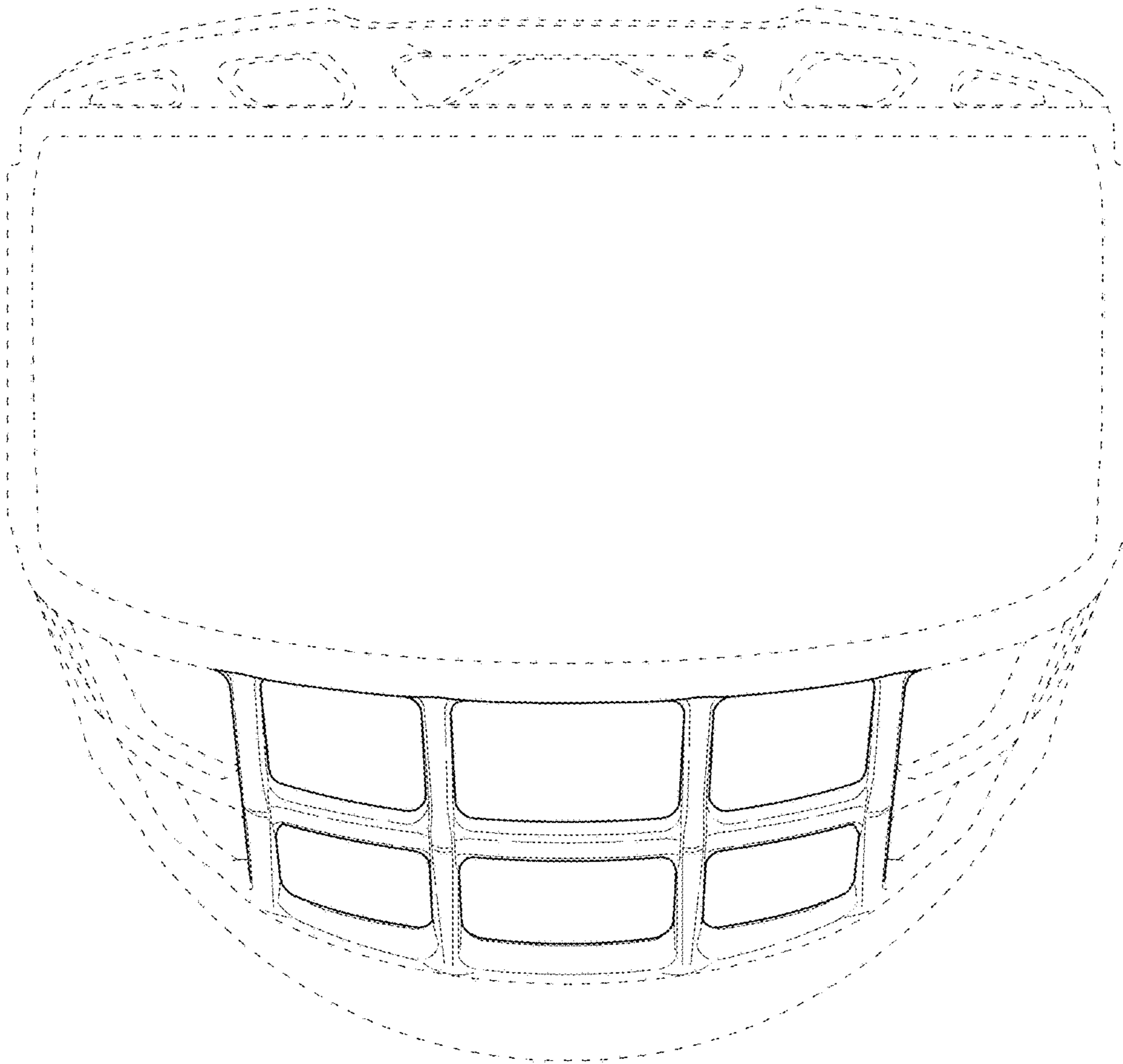


FIG. 1

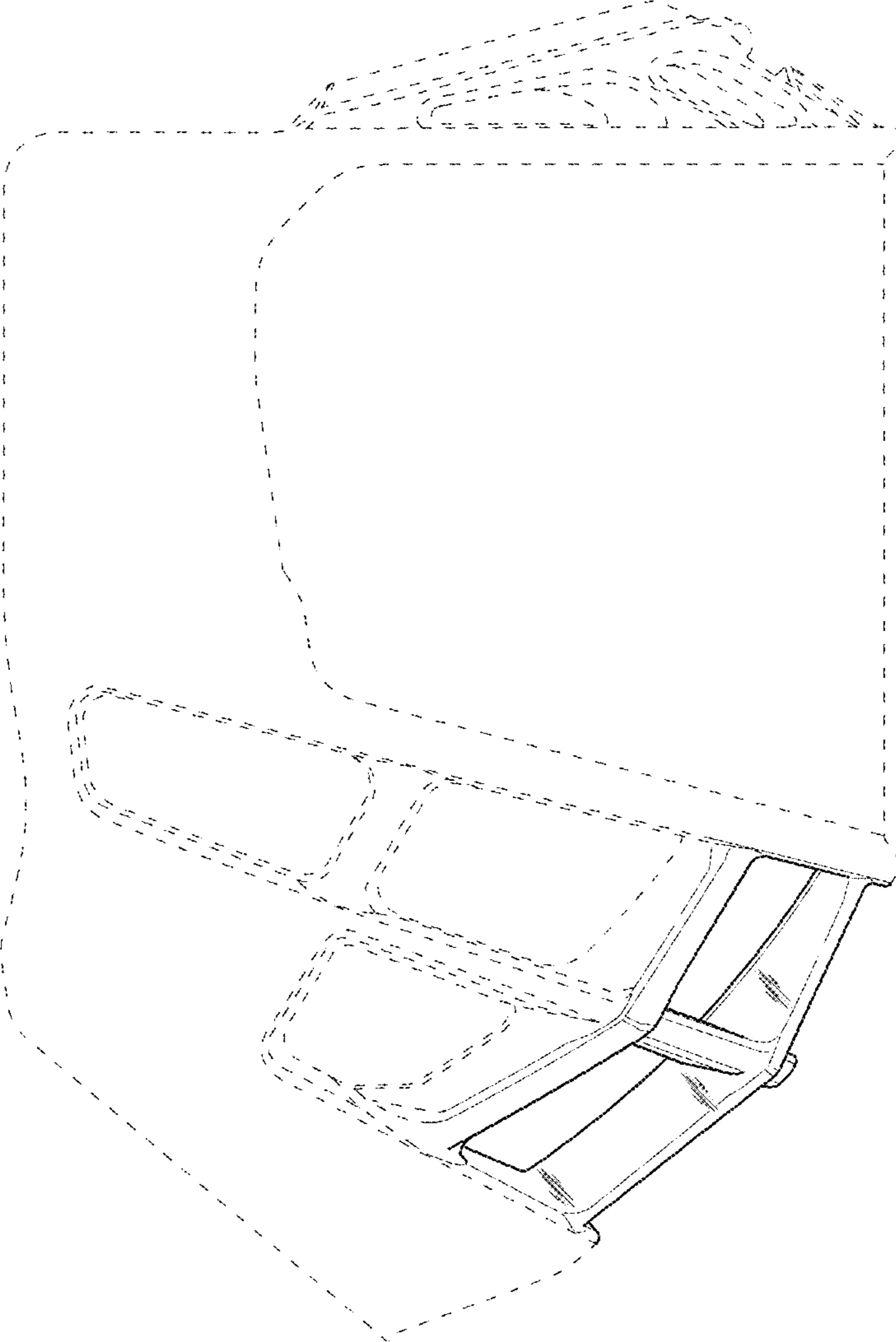


FIG. 2

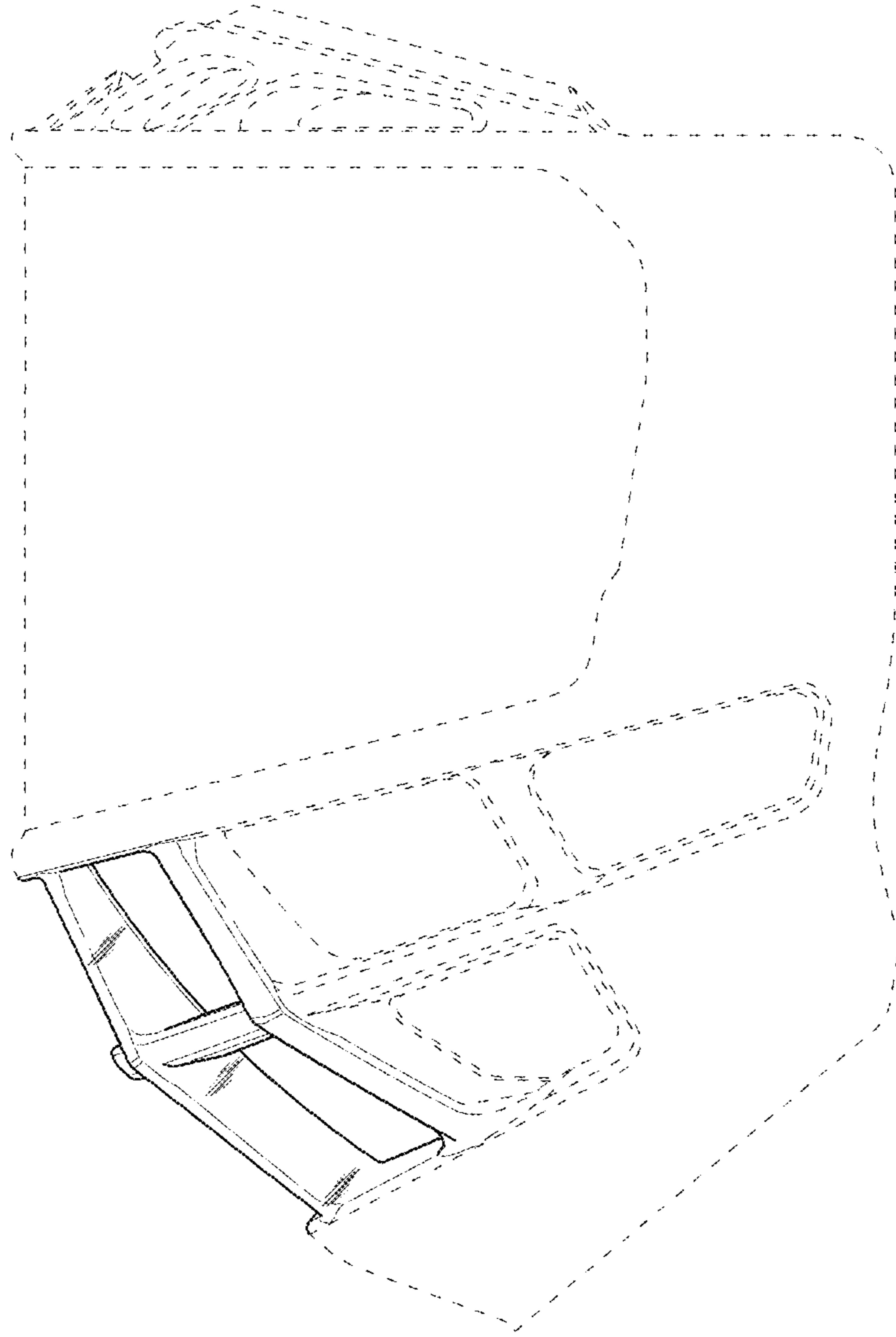


FIG. 3