

US00D869092S

(12) **United States Design Patent**
De Lataillade

(10) **Patent No.:** **US D869,092 S**

(45) **Date of Patent:** **** Dec. 3, 2019**

(54) **ATOMIZER**

(71) Applicant: **CLARINS FRAGRANCE GROUP,**
Paris (FR)

(72) Inventor: **Christophe De Lataillade,** Paris (FR)

(73) Assignee: **Clarins Fragrance Group,** Paris (FR)

(**) Term: **15 Years**

(21) Appl. No.: **29/647,511**

(22) Filed: **May 14, 2018**

(30) **Foreign Application Priority Data**

Mar. 6, 2018 (EM) 004742625-0002

(51) **LOC (12) Cl.** **28-03**

(52) **U.S. Cl.**
USPC **D28/91.1; D9/663**

(58) **Field of Classification Search**
USPC D28/44, 44.1, 45, 46, 59, 91, 91.1;
D9/516, 519, 523, 549, 554, 441, 446,
D9/661, 662, 663, 682, 690-693

CPC ... A45D 1/00; A45D 1/03; A45D 2/48; A45D
2/06; A45D 29/04; A45D 29/11; A45D
29/18; A45D 34/00; A45D 34/005; A45D
34/007; A45D 34/02; A45D 26/00; A45D
26/0066; A44C 15/002

See application file for complete search history.

(56) **References Cited**

U.S. PATENT DOCUMENTS

D547,197 S * 7/2007 Hermel D9/519
D588,927 S * 3/2009 Antretter D9/451
D596,489 S * 7/2009 Weiss D9/519
D606,875 S * 12/2009 Vila D9/544

D632,576 S * 2/2011 Hermel D9/519
D663,619 S * 7/2012 Pillet D9/452
D671,411 S * 11/2012 Bourguignon D9/519
D689,369 S * 9/2013 Dumas D9/545
D747,967 S * 1/2016 Lozano Domenech D9/500
D756,228 S * 5/2016 Premkumar D9/523
D757,920 S * 5/2016 Lin D23/366
D763,700 S * 8/2016 Rasgon D9/519
D779,334 S * 2/2017 White D9/556
D809,391 S * 2/2018 Funk D9/500

OTHER PUBLICATIONS

Glass flower shaped perfume bottle rose shape perfume bottle, Etsy, "vintage from before 2000", retrieved on May 19, 2019, retrieved from the Internet URL: <https://www.etsy.com/dk-en/listing/636122935/glass-flower-shaped-perfume-bottle-rose>.*

* cited by examiner

Primary Examiner — Jennifer Rivard

Assistant Examiner — Alison M Ofstun

(74) *Attorney, Agent, or Firm* — Avery N. Goldstein;
Blue Filament Law PLLC

(57) **CLAIM**

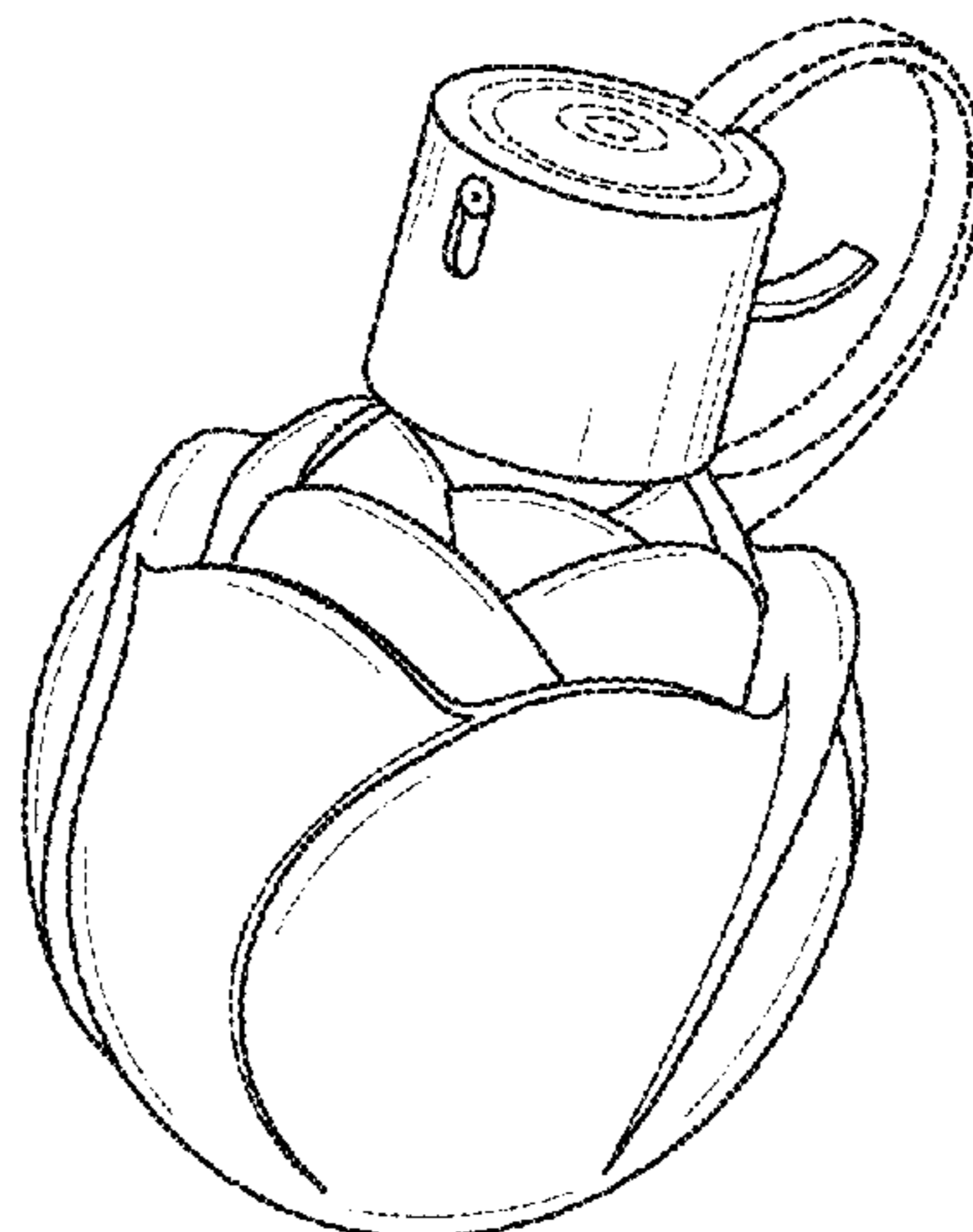
The ornamental design for an atomizer, as shown and described.

DESCRIPTION

FIG. 1 is a perspective of an atomizer;
FIG. 2 is a top view of the atomizer depicted in FIG. 1;
FIG. 3 is a side view of the of the atomizer depicted in FIG. 1; and,
FIG. 4 is a front view of the of the atomizer depicted in FIG. 1.

The broken lines in the figures represent portions of the article, which form no part of the claimed design.

1 Claim, 1 Drawing Sheet



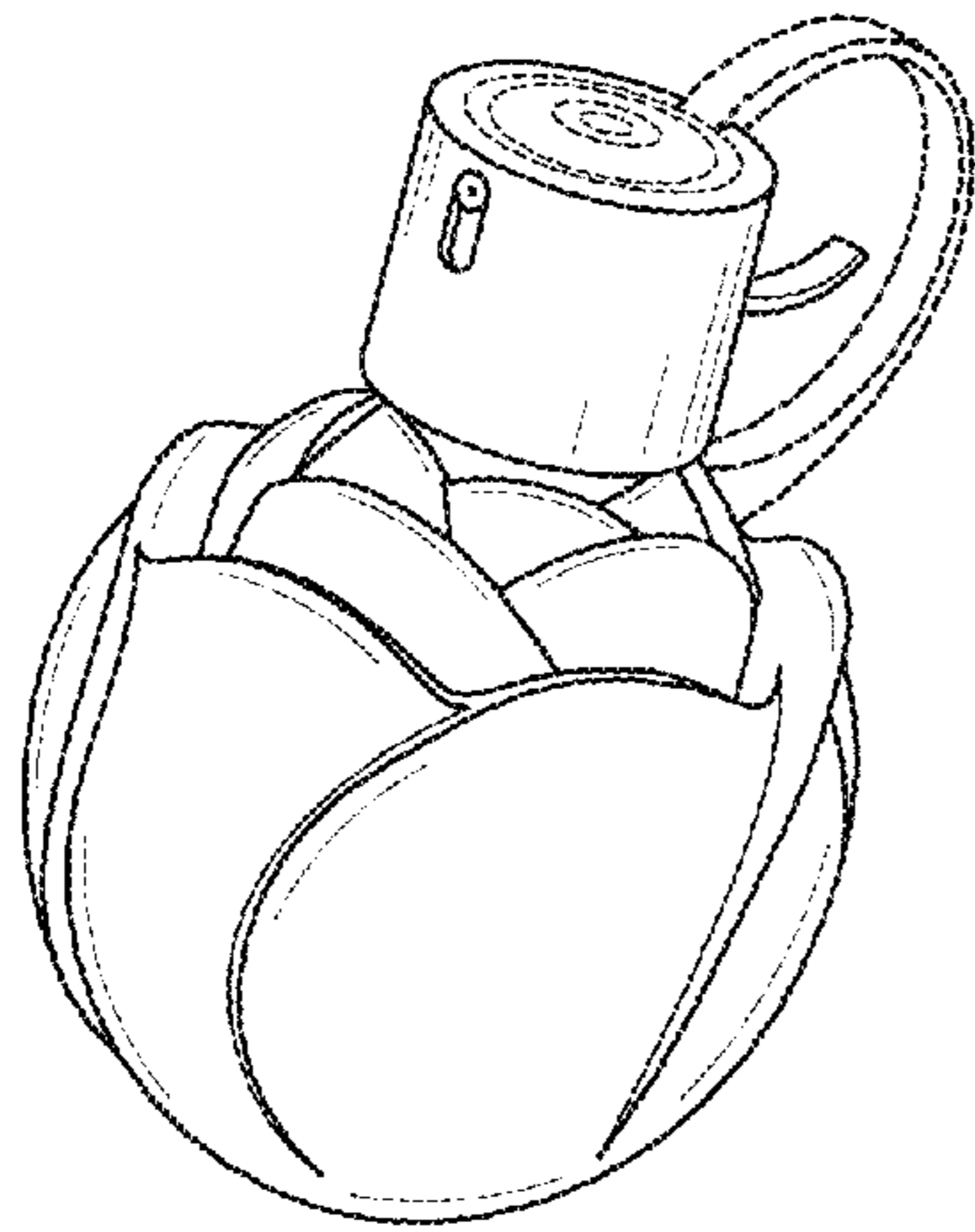


FIG. 1

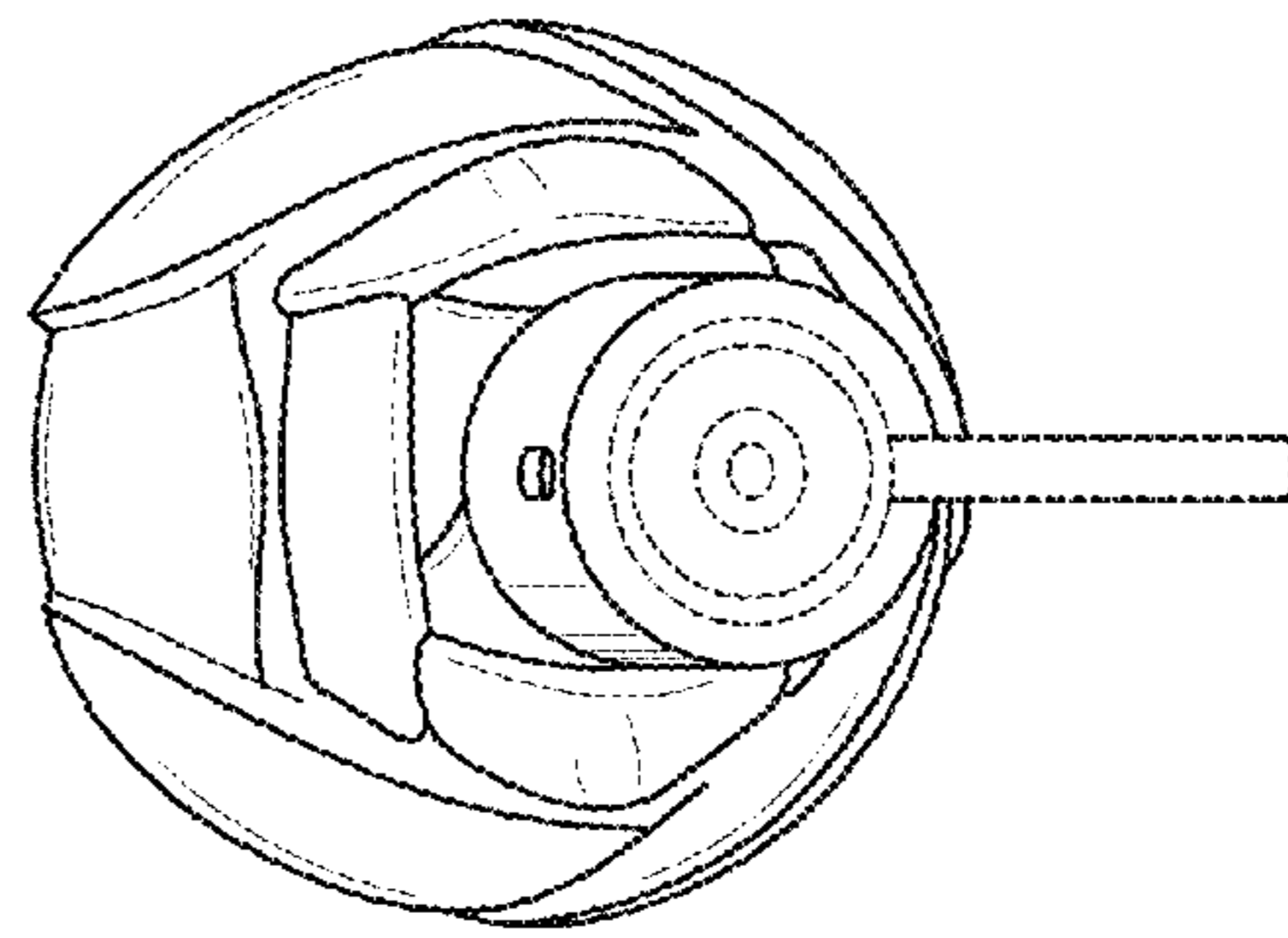


FIG. 2

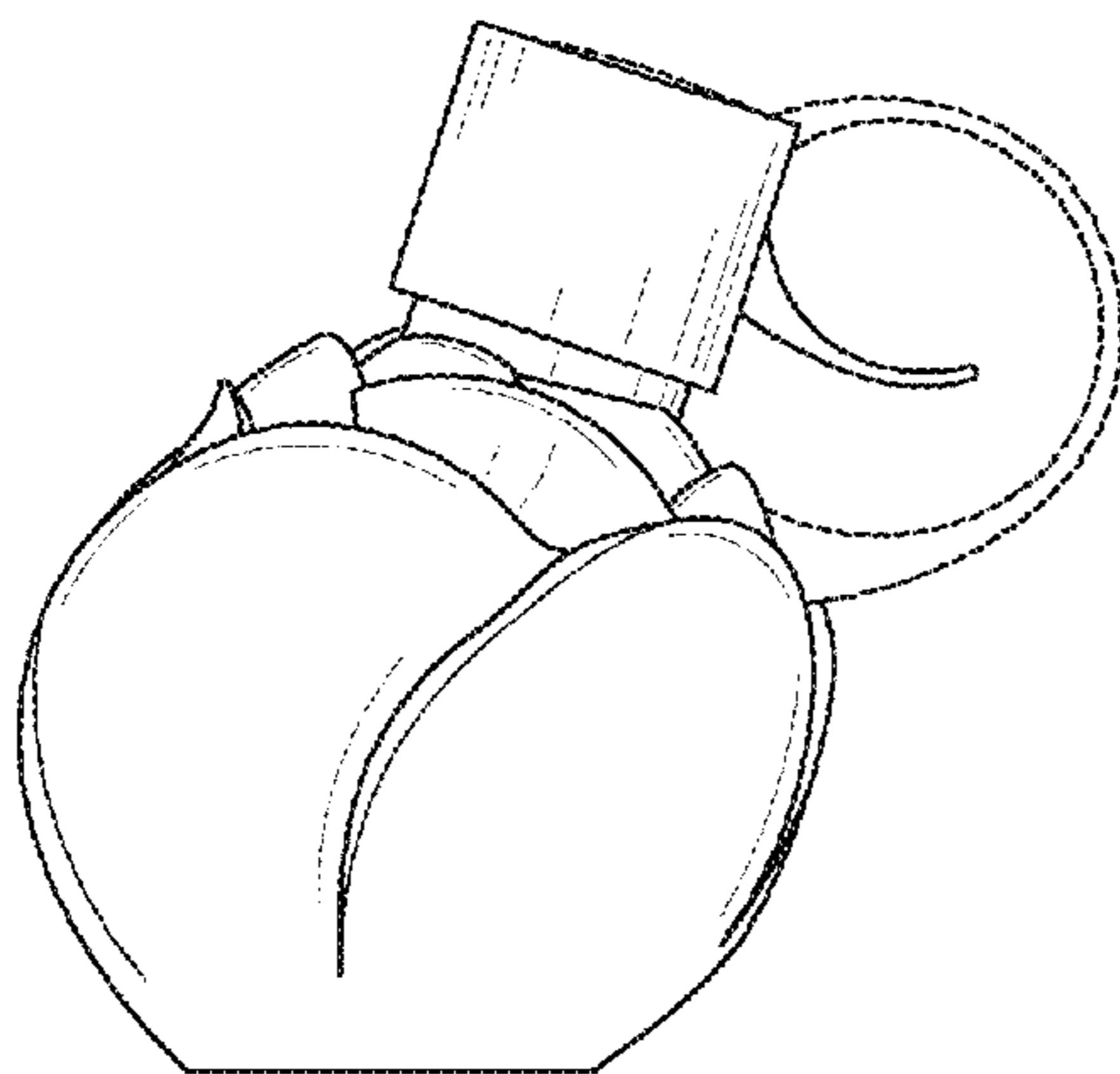


FIG. 3

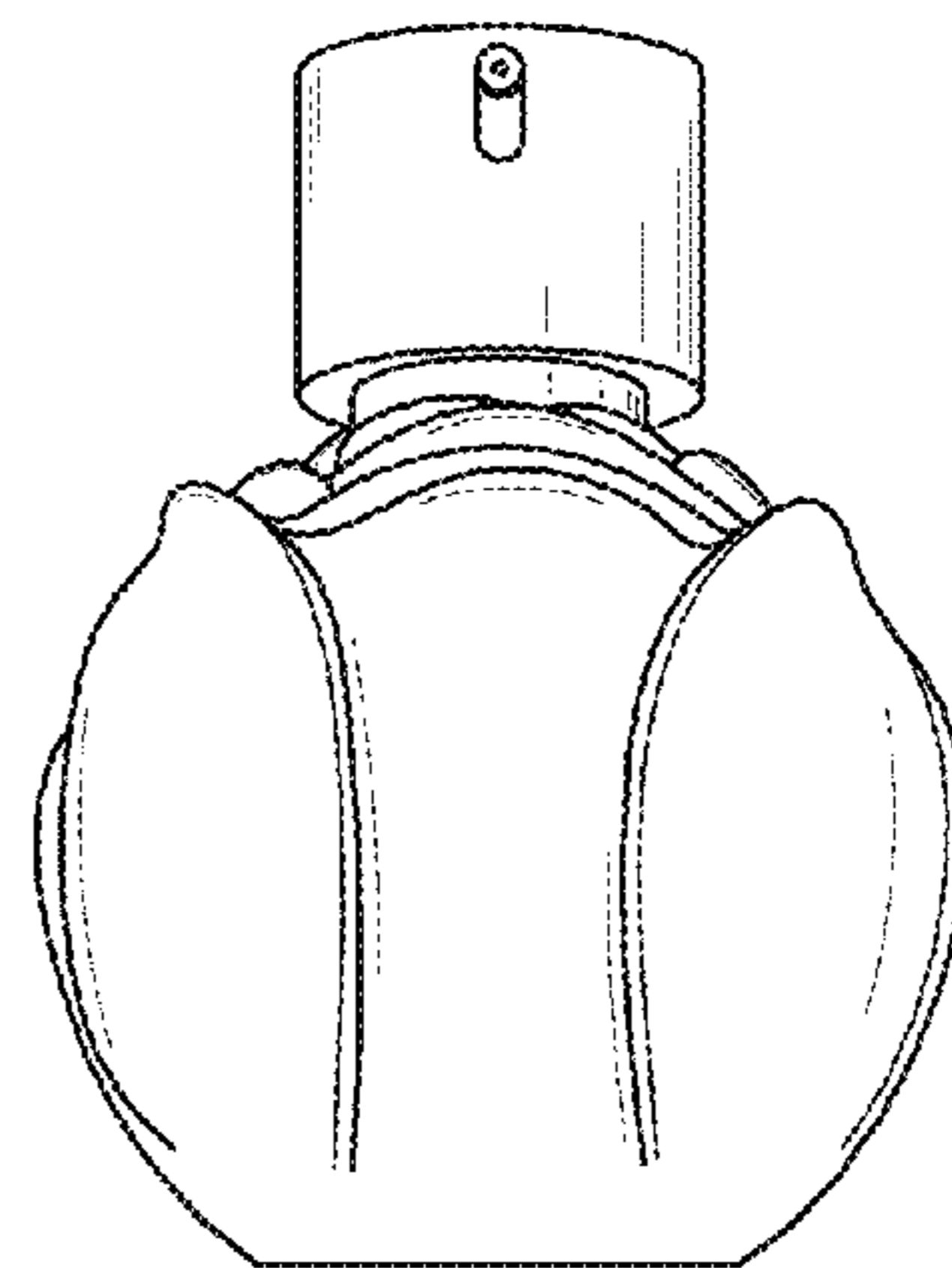


FIG. 4