

US00D869089S

(12) **United States Design Patent** (10) **Patent No.:** **US D869,089 S**
Rechenmann (45) **Date of Patent:** **** Dec. 3, 2019**

(54) **COSMETIC APPLICATOR**
(71) Applicant: **COSMOGEN SAS**, Paris (FR)
(72) Inventor: **Justine Rechenmann**, Paris (FR)
(73) Assignee: **COSMOGEN SAS**, Paris (FR)
(**) Term: **15 Years**
(21) Appl. No.: **29/643,014**
(22) Filed: **Apr. 3, 2018**
(30) **Foreign Application Priority Data**
Oct. 3, 2017 (EM) 004383230-0008
(51) **LOC (12) Cl.** **28-02**
(52) **U.S. Cl.**
USPC **D28/7**
(58) **Field of Classification Search**
USPC D28/7, 88, 85, 87, 82, 73, 76; 15/424;
132/317, 318
CPC A61Q 1/00; A61Q 1/106; A61K 8/0229
See application file for complete search history.

(56) **References Cited**
U.S. PATENT DOCUMENTS
D303,303 S * 9/1989 Cardia D28/88
D417,752 S * 12/1999 Bakic D28/85
6,186,686 B1 * 2/2001 Neuner A45D 34/04
401/132
D472,812 S * 4/2003 Lerolle D28/88
D473,974 S * 4/2003 Fuller D28/77
D513,815 S * 1/2006 Hollmann D28/88

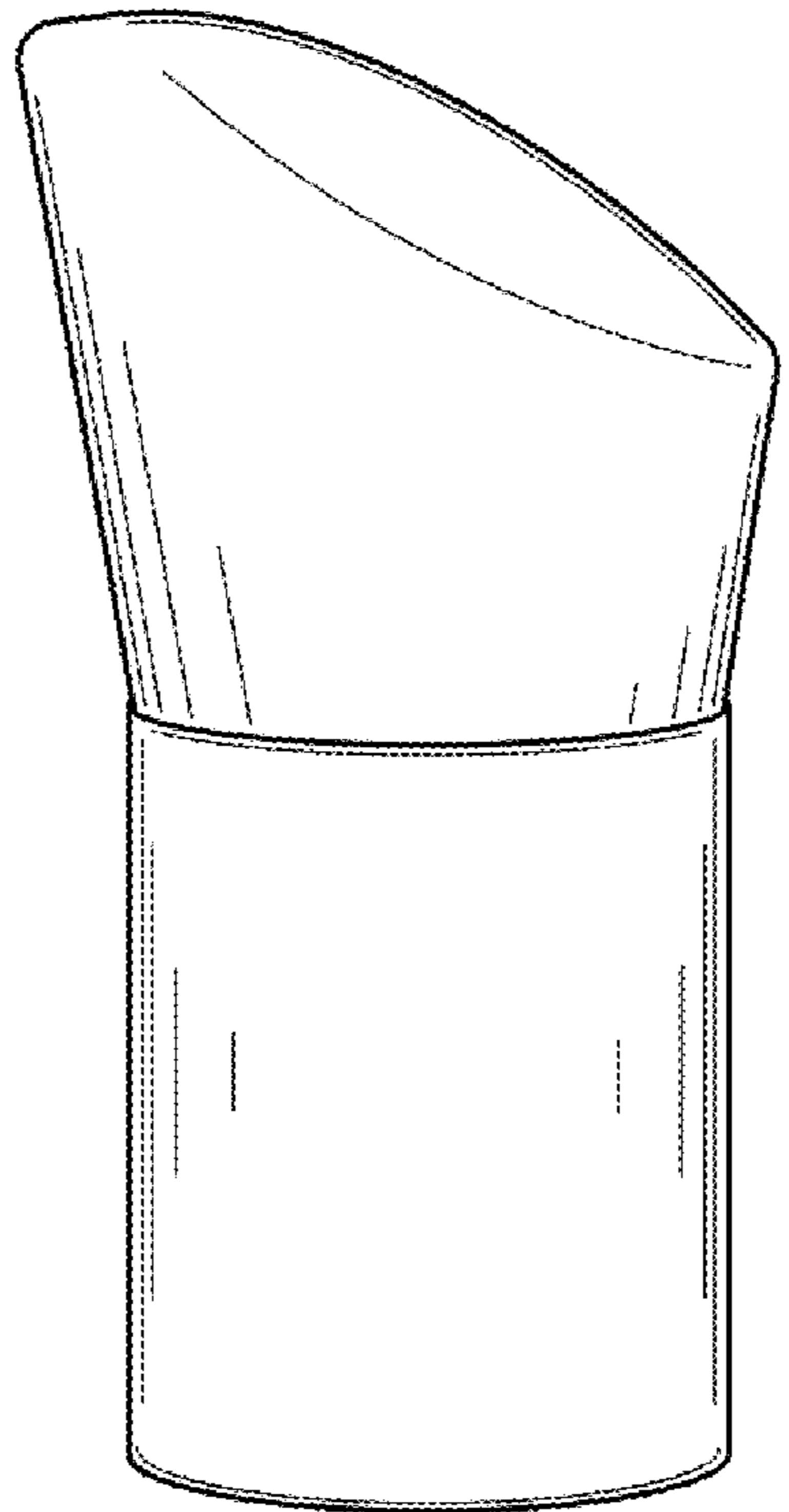
D518,239 S * 3/2006 Martinez D28/76
D539,153 S * 3/2007 Marx D9/529
D540,682 S * 4/2007 Shurtleff D9/444
D673,325 S * 12/2012 Martines D28/4
D701,346 S * 3/2014 Hefetz D28/89
D739,077 S * 9/2015 Kloman D28/4
D739,084 S * 9/2015 Hall D28/76
D741,004 S * 10/2015 Kloman D28/4
D762,010 S * 7/2016 Xavier D28/87
D778,495 S * 2/2017 Ooba D28/7
D794,247 S * 8/2017 Xavier D28/4
D797,377 S * 9/2017 Reggiani D28/89
D816,897 S * 5/2018 Corsi D28/7
D818,641 S * 5/2018 Wilson D28/7
D828,960 S * 9/2018 Shugar D28/85
2001/0027796 A1 * 10/2001 Bouix A45D 40/0087
132/318
2003/0231924 A1 * 12/2003 Libman B65D 47/42
401/266

* cited by examiner
Primary Examiner — Susan Bennett Hattan
Assistant Examiner — Rebecca Tsehaye
(74) *Attorney, Agent, or Firm* — Burriss Law, PLLC

(57) **CLAIM**
The ornamental design for a cosmetic applicator, as shown and described.

DESCRIPTION
FIG. 1 is a perspective view of the cosmetic applicator;
FIG. 2 is a right side view thereof;
FIG. 3 is a front view thereof; and,
FIG. 4 is a left side view thereof.

1 Claim, 4 Drawing Sheets



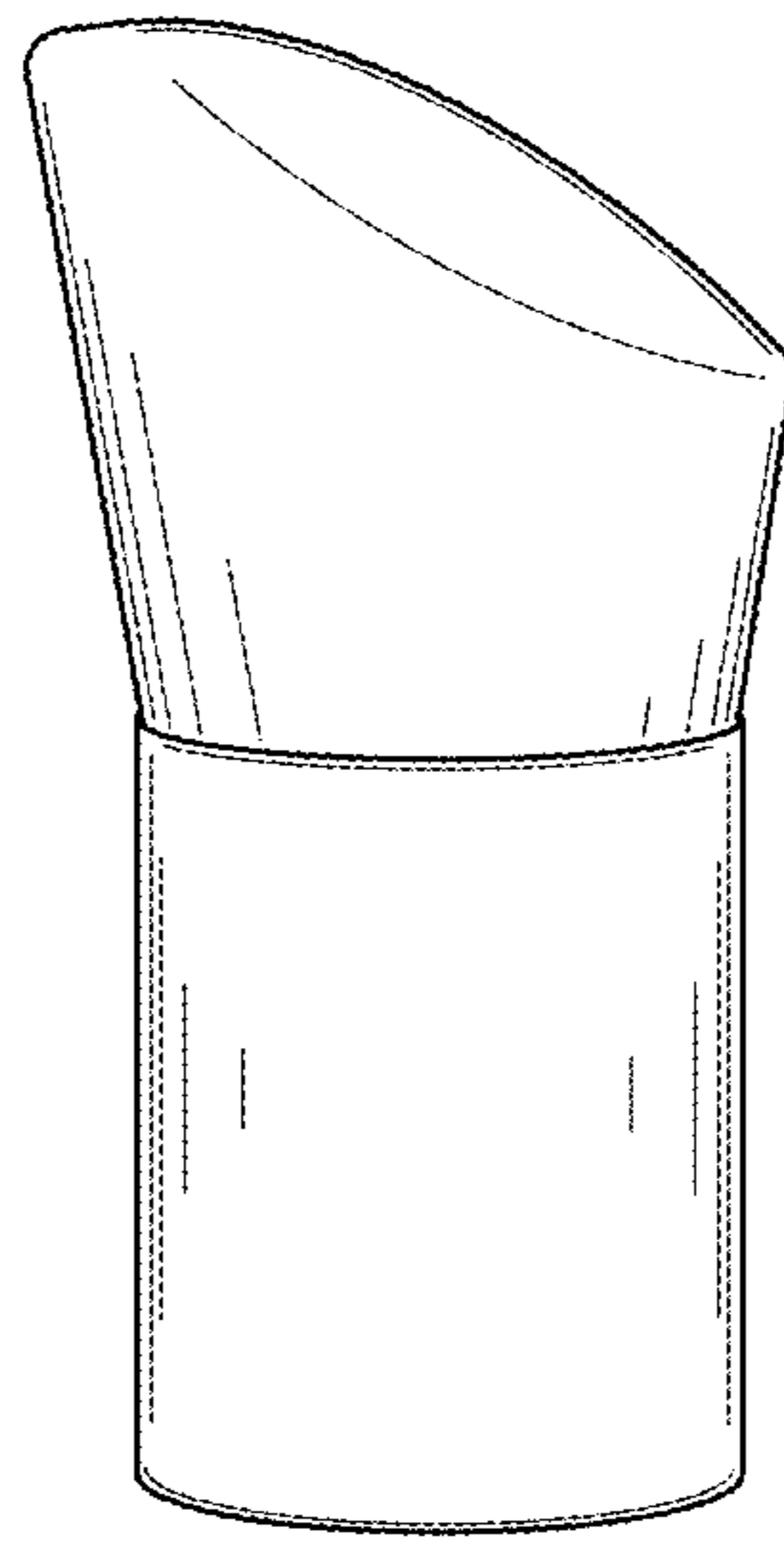


FIG. 1

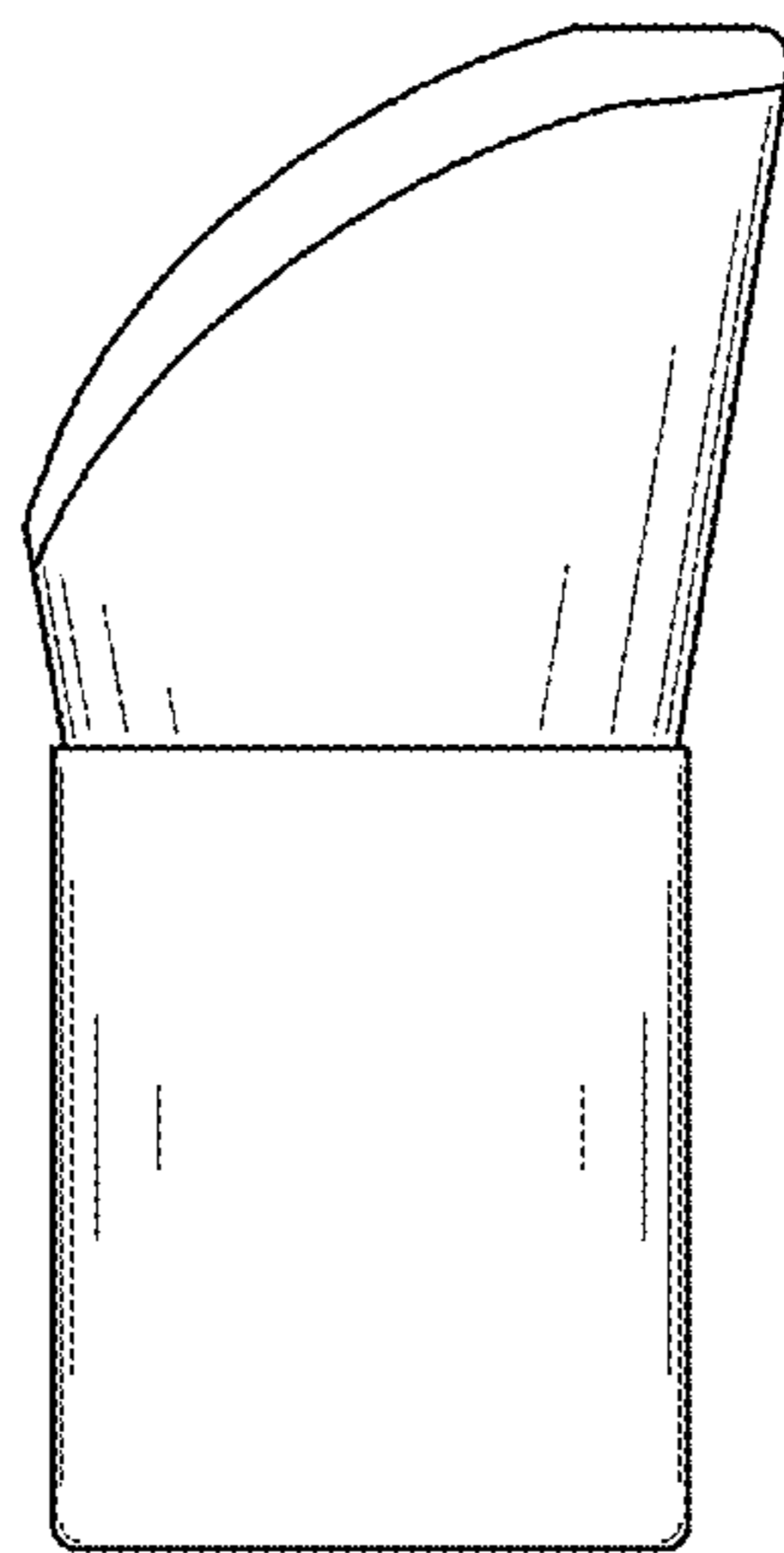


FIG. 2

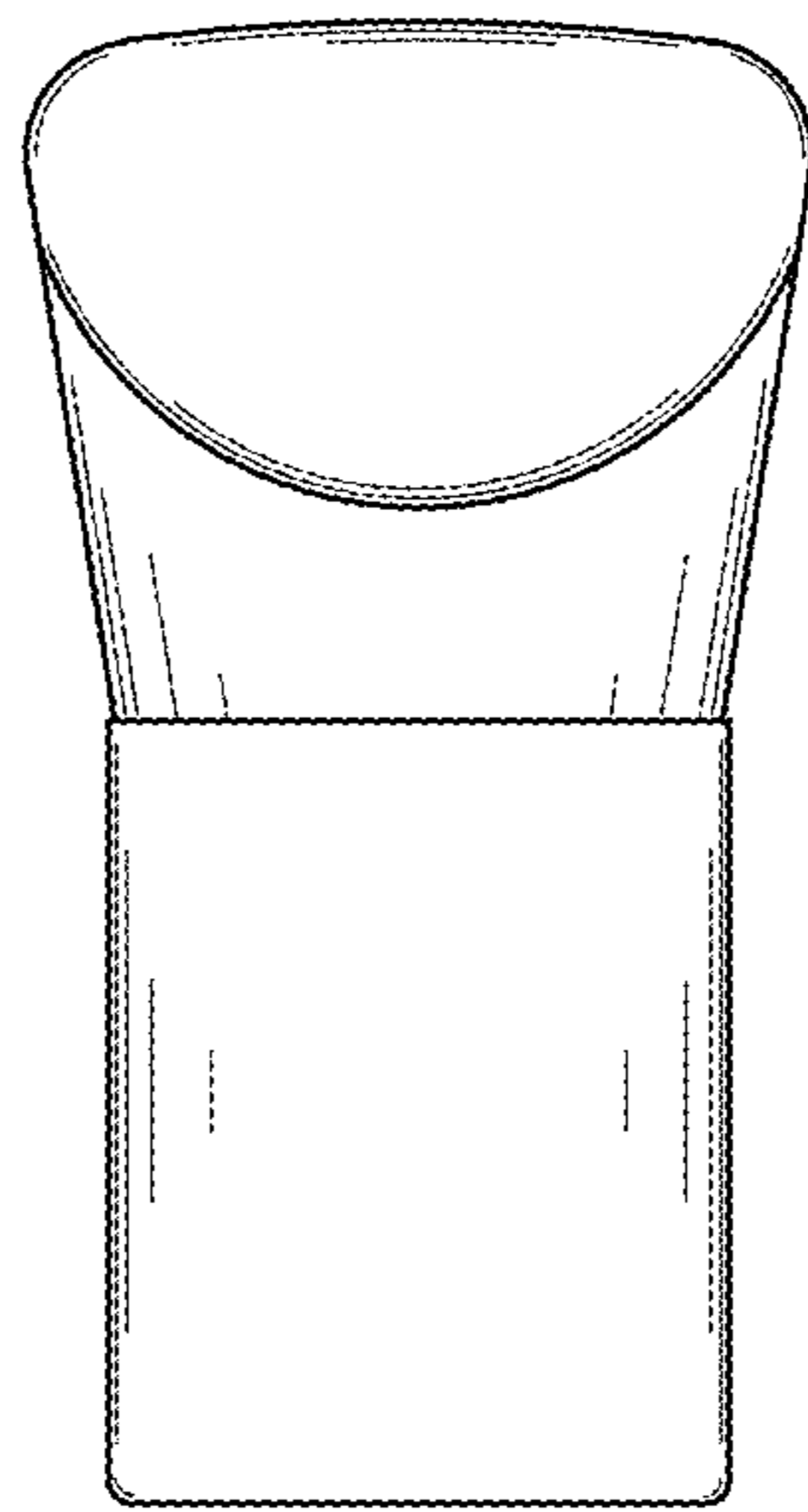


FIG. 3

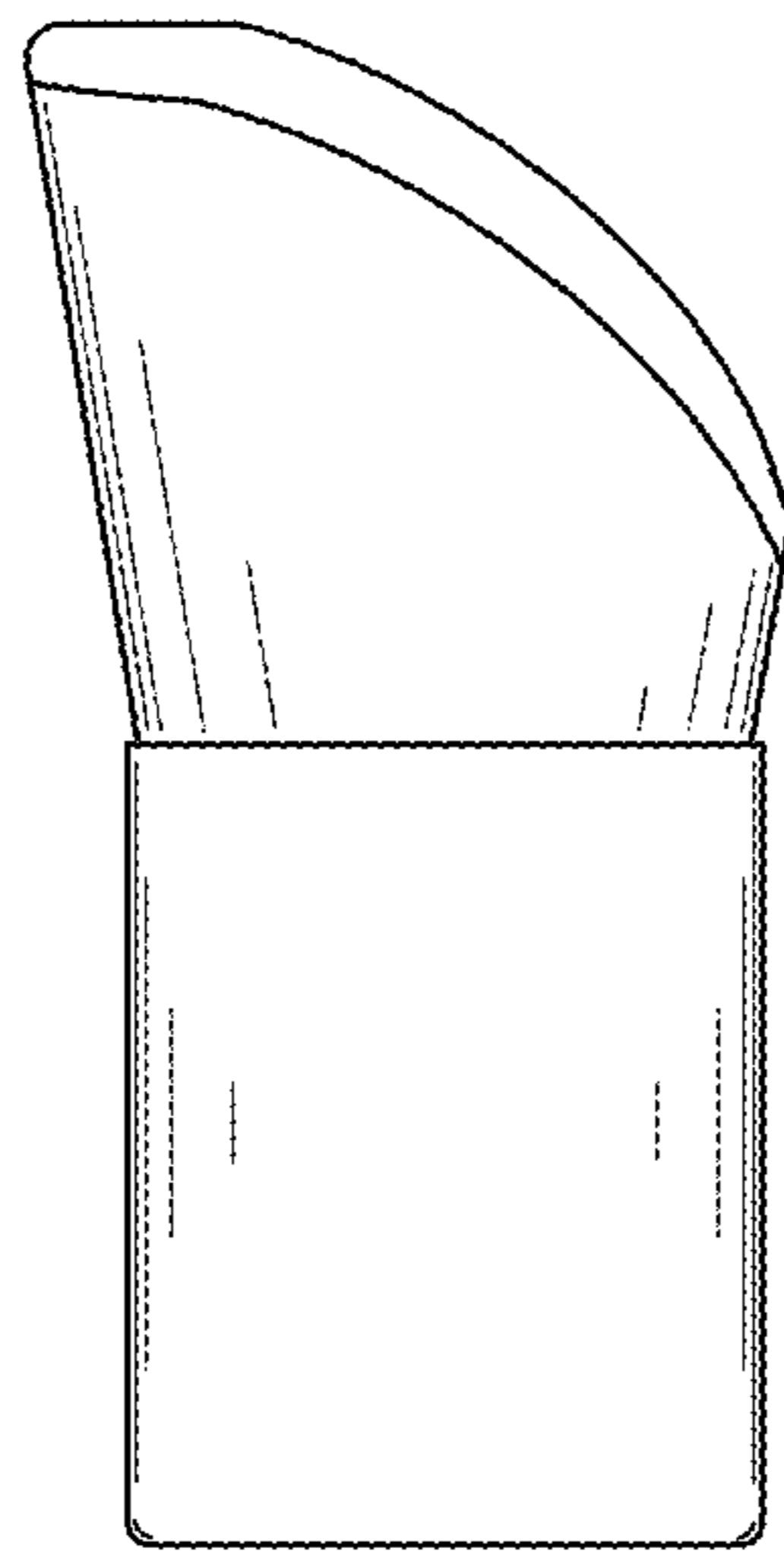


FIG. 4