



US00D869085S

(12) **United States Design Patent**  
**Campbell et al.**

(10) **Patent No.:** **US D869,085 S**  
(45) **Date of Patent:** **\*\* Dec. 3, 2019**

(54) **HANDHELD VAPORIZING DEVICE ASSEMBLY**

(71) Applicant: **MONQ, LLC**, Goodlettsville, TN (US)

(72) Inventors: **James Preston Campbell**, Antioch, TN (US); **Matthew T. Maquiling**, Nashville, TN (US); **Zach Collins**, Nashville, TN (US)

(73) Assignee: **MONQ, LLC**, Goodlettsville, TN (US)

(\*\*) Term: **15 Years**

(21) Appl. No.: **29/656,781**

(22) Filed: **Jul. 16, 2018**

(51) **LOC (12) Cl.** ..... **27-02**

(52) **U.S. Cl.**  
USPC ..... **D27/162**

(58) **Field of Classification Search**  
USPC ..... D27/162, 100, 101, 163, 164, 165, 167,  
D27/172, 174, 175, 176, 183, 185-194;  
D24/110, 110.5; 128/202.21, 203.12;  
131/273, 270, 191, 328, 329, 330,  
131/360-365

(Continued)

(56) **References Cited**

**U.S. PATENT DOCUMENTS**

D299,066 S \* 12/1988 Newell ..... D24/110  
D514,222 S \* 1/2006 Anderson ..... D24/110

(Continued)

*Primary Examiner* — Susan Bennett Hattan

*Assistant Examiner* — Rebecca Tsehaye

(74) *Attorney, Agent, or Firm* — Eric B. Fugett; Mark A. Pitchford; Pitchford Fugett, PLLC

(57) **CLAIM**

What is claimed is the ornamental design for a handheld vaporizing device assembly, as shown and described.

**DESCRIPTION**

FIG. 1 is a front perspective view of a handheld vaporizing device assembly having an elongated body and a detachable mouthpiece showing Applicant's invention.

FIG. 2 is a back perspective view of the handheld vaporizing device assembly of FIG. 1.

FIG. 3 is a front side elevational view of the handheld vaporizing device assembly of FIG. 1.

FIG. 4 is right side elevational view of the handheld vaporizing device assembly of FIG. 1, the left side being a mirror image thereof.

FIG. 5 is a back side elevational view of the handheld vaporizing device assembly of FIG. 1.

FIG. 6 is a top plan view of the handheld vaporizing device assembly of FIG. 1.

FIG. 7 is a bottom plan view of the handheld vaporizing device assembly of FIG. 1.

FIG. 8 is a top perspective view of the detachable mouthpiece of the handheld vaporizing device assembly of FIG. 1 showing the detachable mouthpiece detached from the elongated body.

FIG. 9 is a bottom perspective view of the detachable mouthpiece of FIG. 8.

FIG. 10 is a front side elevational view of the detachable mouthpiece of FIG. 8, the back side being a mirror image thereof.

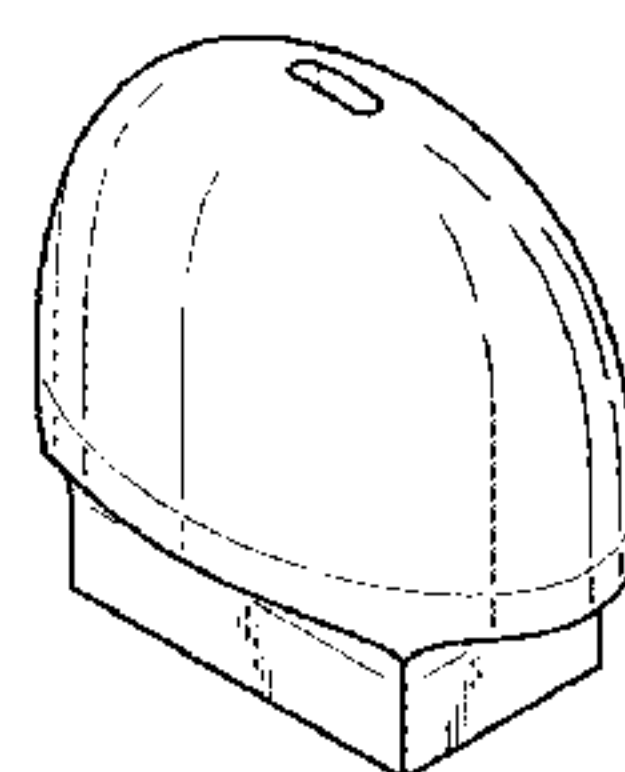
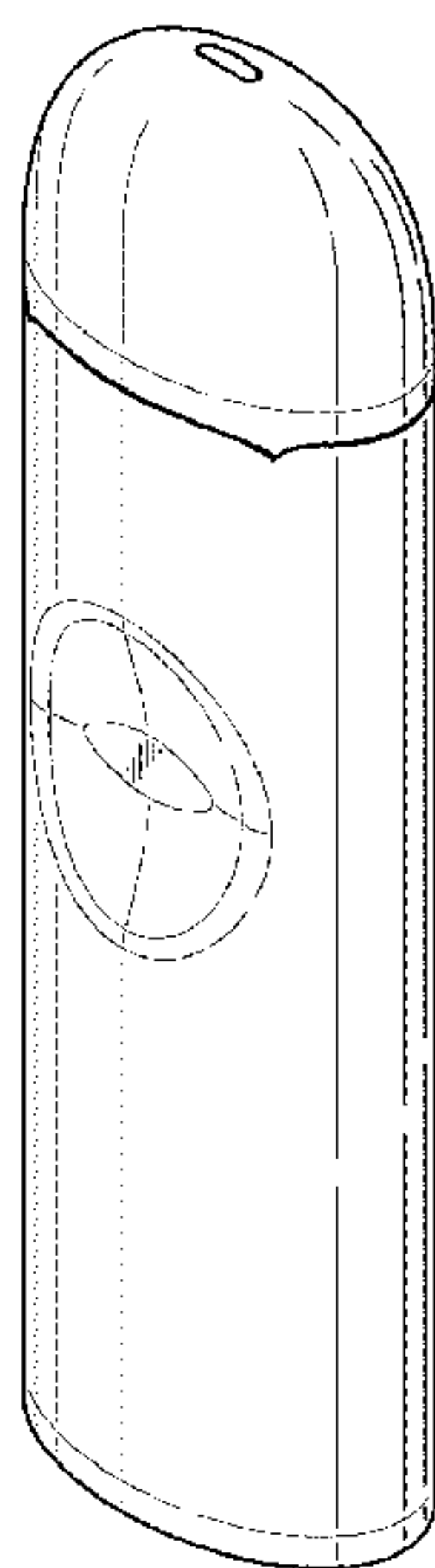
FIG. 11 is a right side elevational view of the detachable mouthpiece of FIG. 8, the left side being a mirror image thereof.

FIG. 12 is a top plan view of the detachable mouthpiece of FIG. 8; and,

FIG. 13 is a bottom plan view of the detachable mouthpiece of FIG. 8.

The broken lines in FIGS. 5 and 12 depict portions of the handheld vaporizing device assembly that form no part of the claimed design.

**1 Claim, 3 Drawing Sheets**



(58) **Field of Classification Search**

CPC .... A24F 47/002; A24F 47/006; A24F 47/008;  
A61M 15/00; A61M 15/06

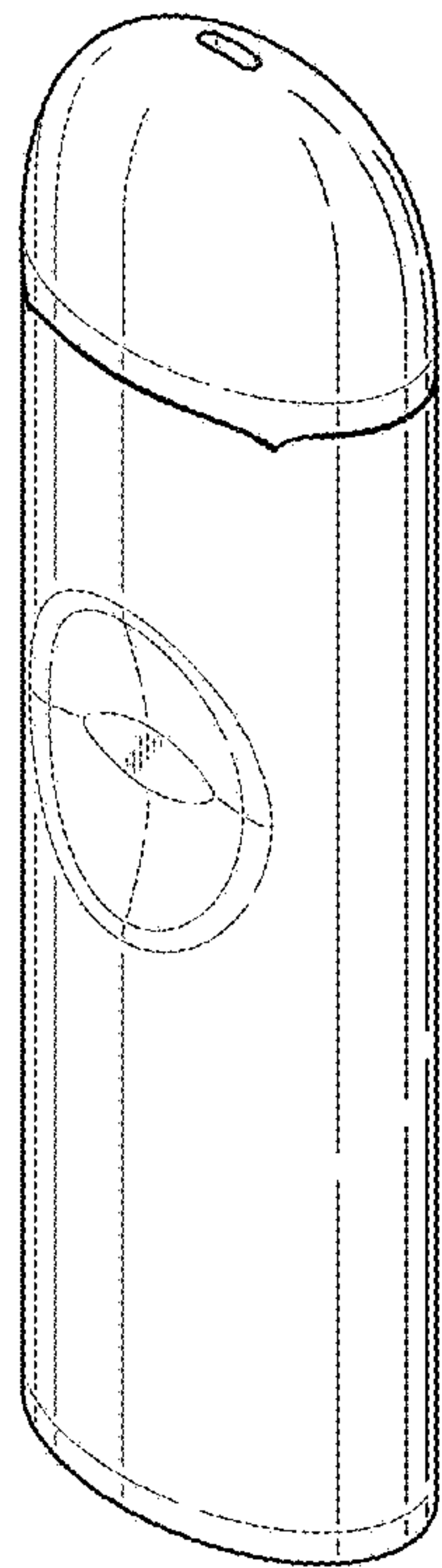
See application file for complete search history.

(56) **References Cited**

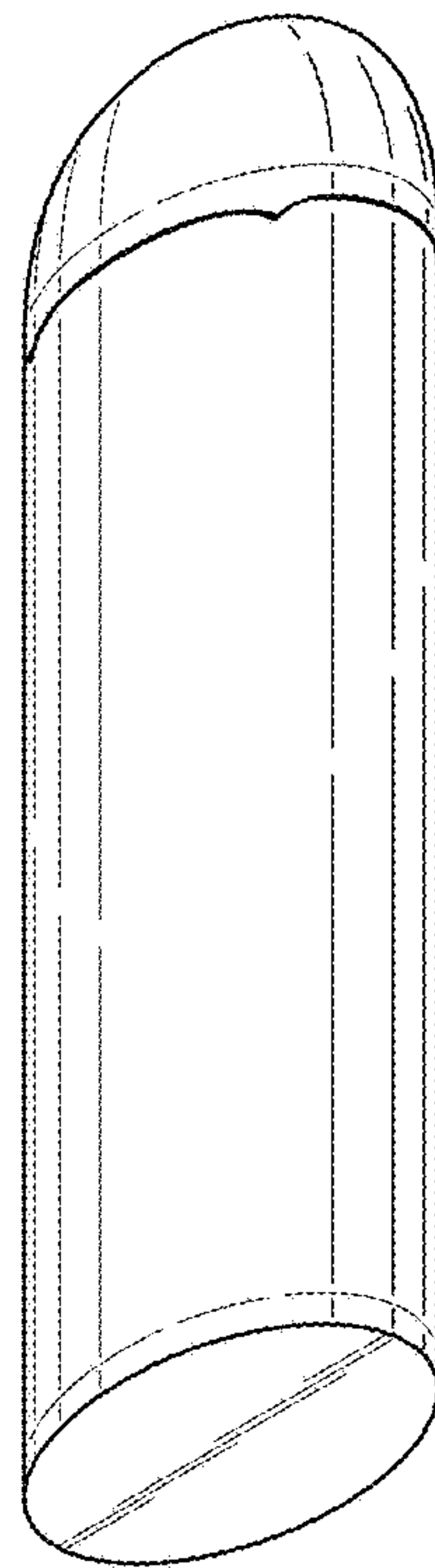
U.S. PATENT DOCUMENTS

D660,956 S *	5/2012	Zuyderhoudt .....	D24/110
D661,795 S *	6/2012	Clarke .....	D24/110
D681,267 S *	4/2013	Touzjian .....	D27/162
D721,972 S *	2/2015	Brewer .....	D9/529
D762,003 S *	7/2016	Lomeli .....	D27/163
D776,338 S *	1/2017	Lomeli .....	D27/163
D788,697 S *	6/2017	Verleur .....	D13/103
D801,579 S *	10/2017	Nyaggah .....	D27/183
D801,581 S *	10/2017	Scott .....	D27/189
D808,073 S *	1/2018	Leidel .....	D27/162
D844,235 S *	3/2019	Cividi .....	D27/167
D846,492 S *	4/2019	Verleur .....	D13/103
D850,711 S *	6/2019	He .....	D27/162
D854,741 S *	7/2019	Smith .....	D27/162

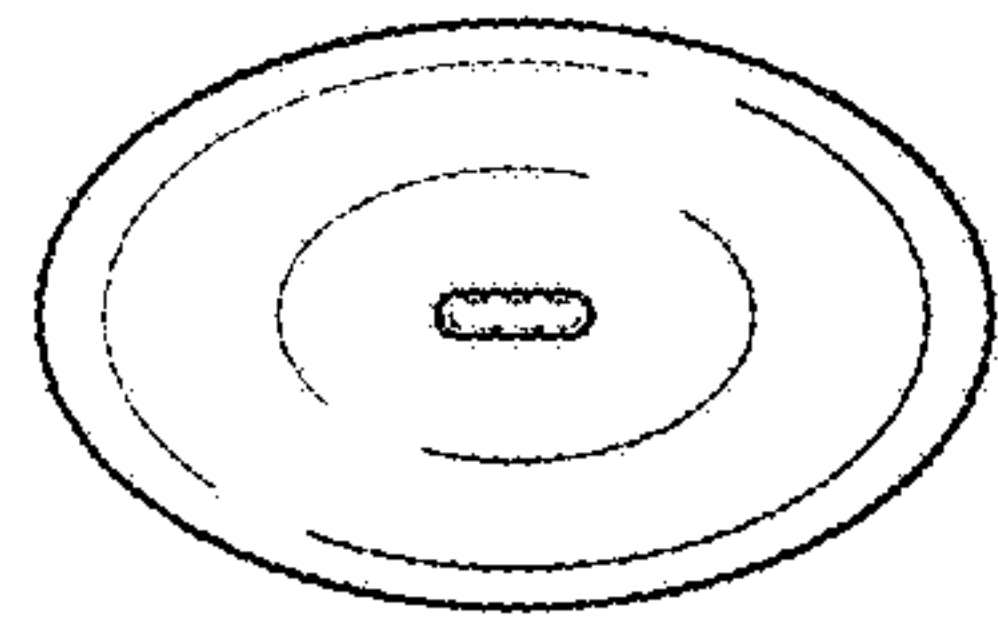
\* cited by examiner



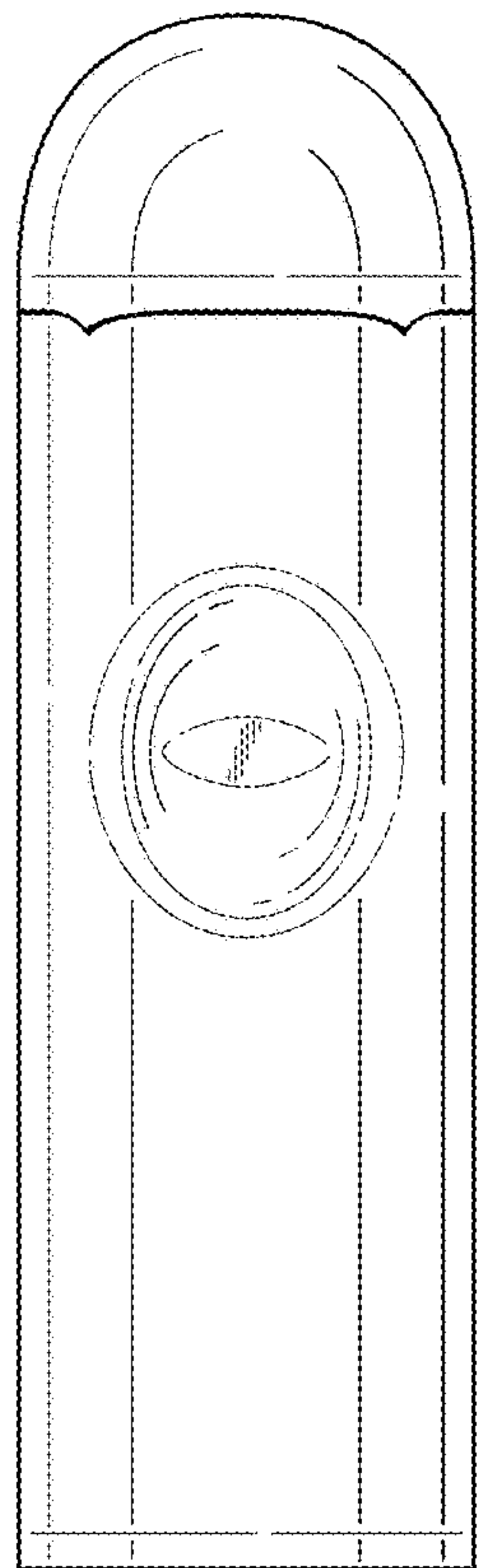
*FIG. 1*



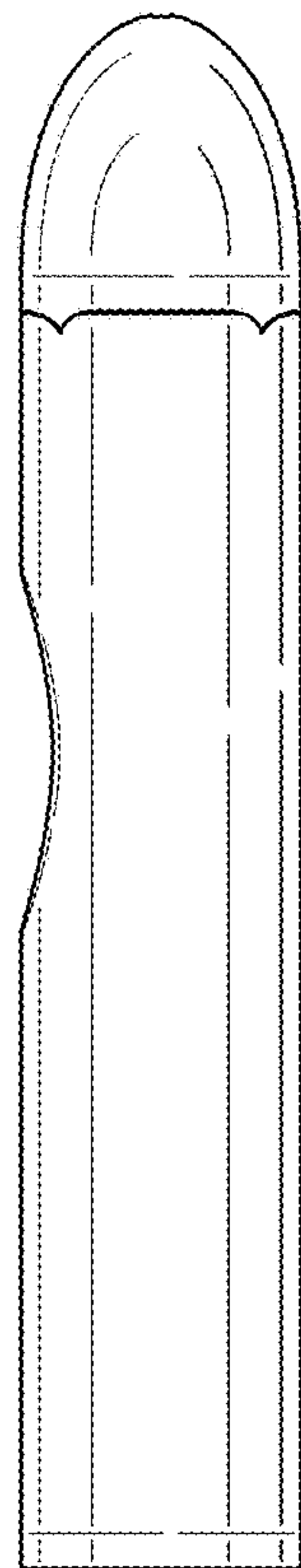
*FIG. 2*



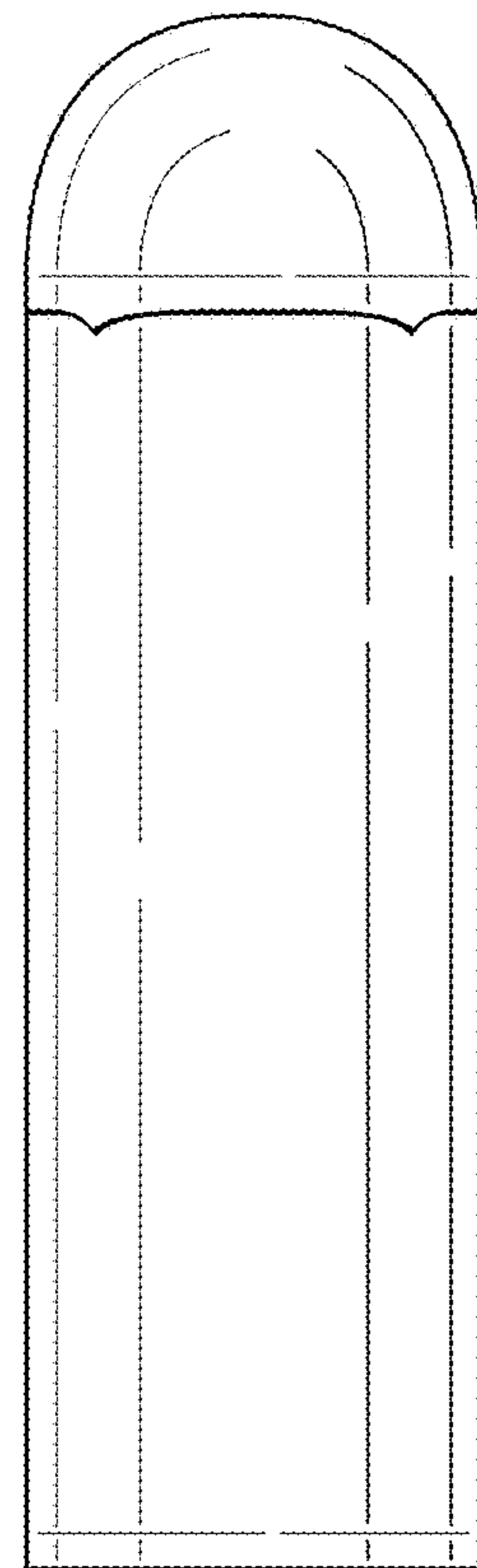
*FIG. 6*



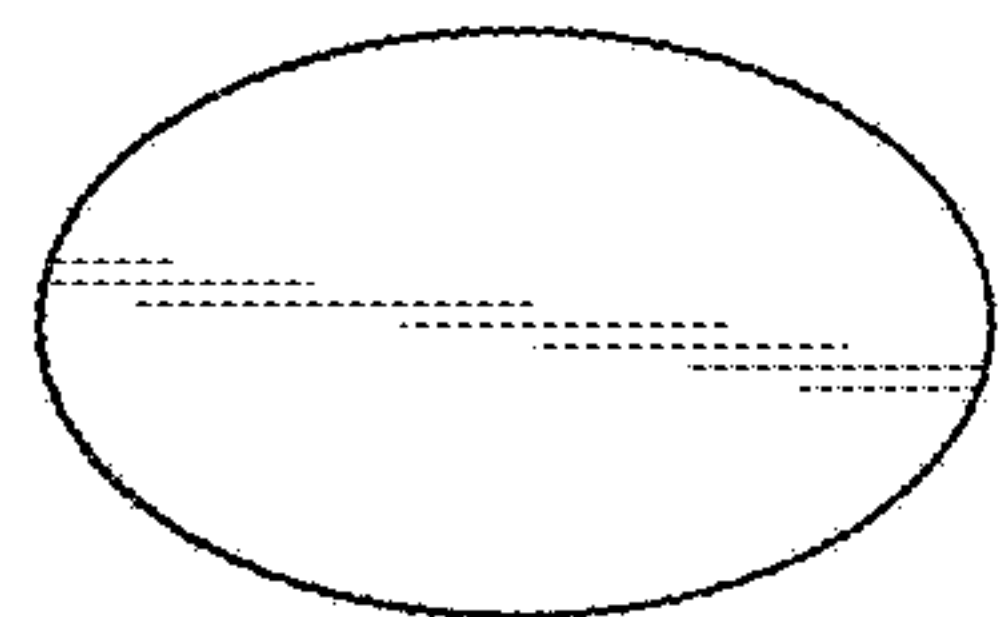
*FIG. 3*



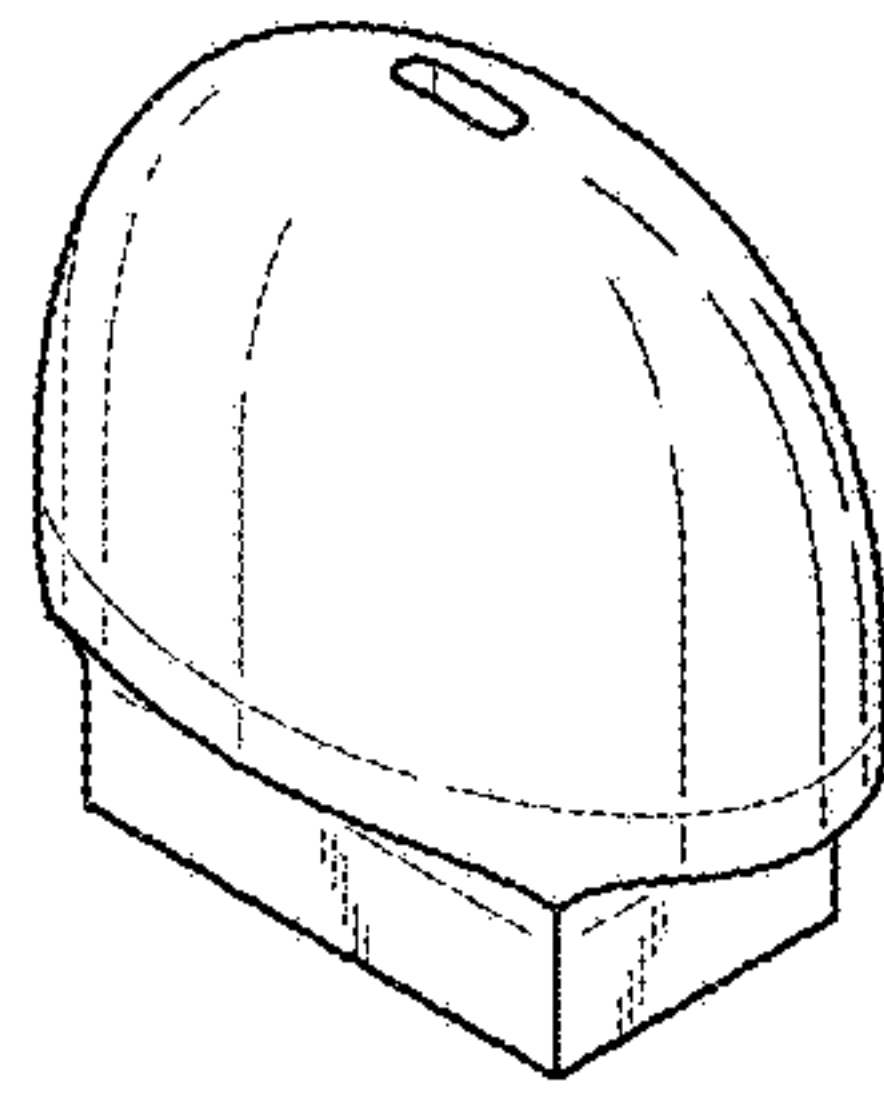
*FIG. 4*



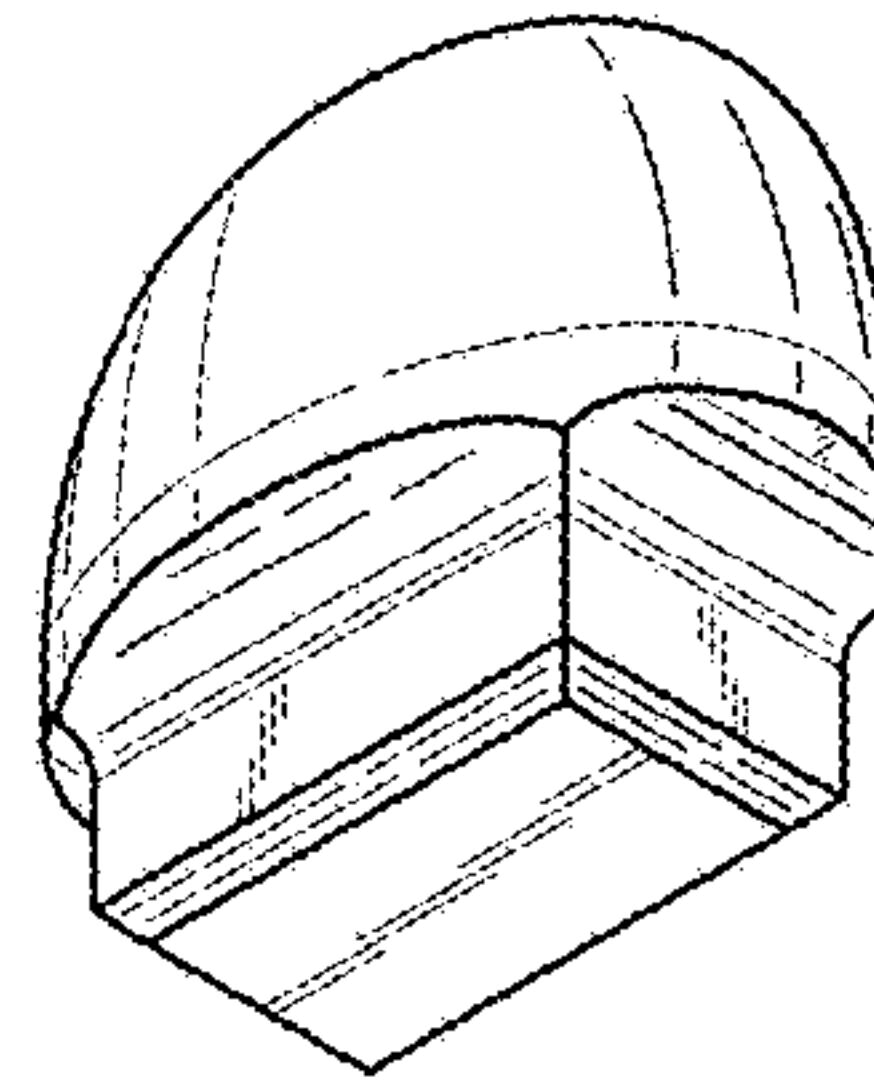
*FIG. 5*



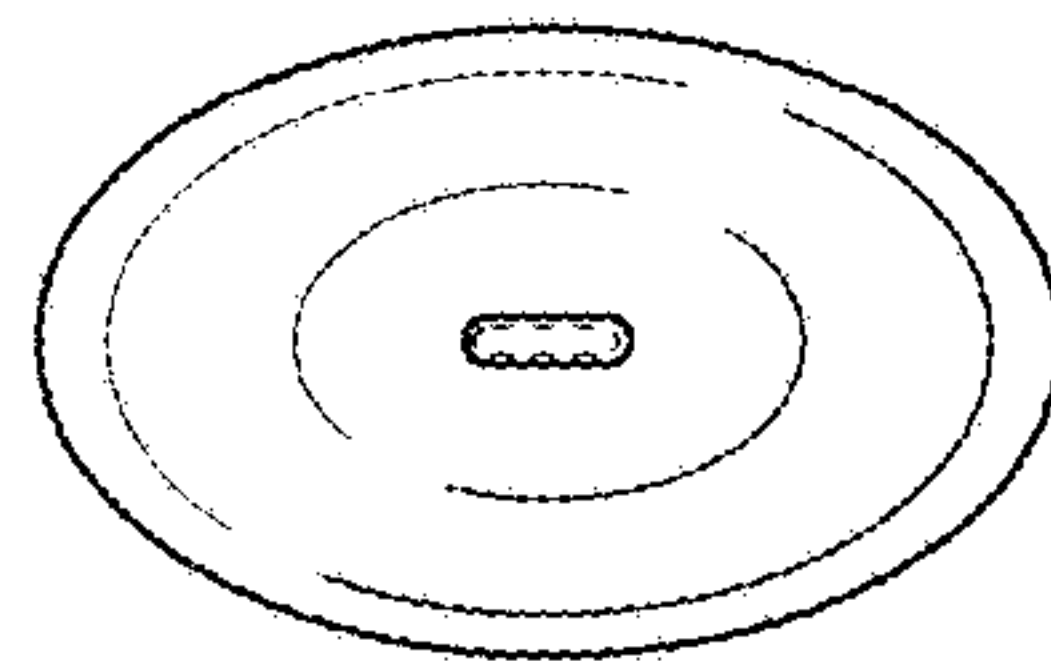
*FIG. 7*



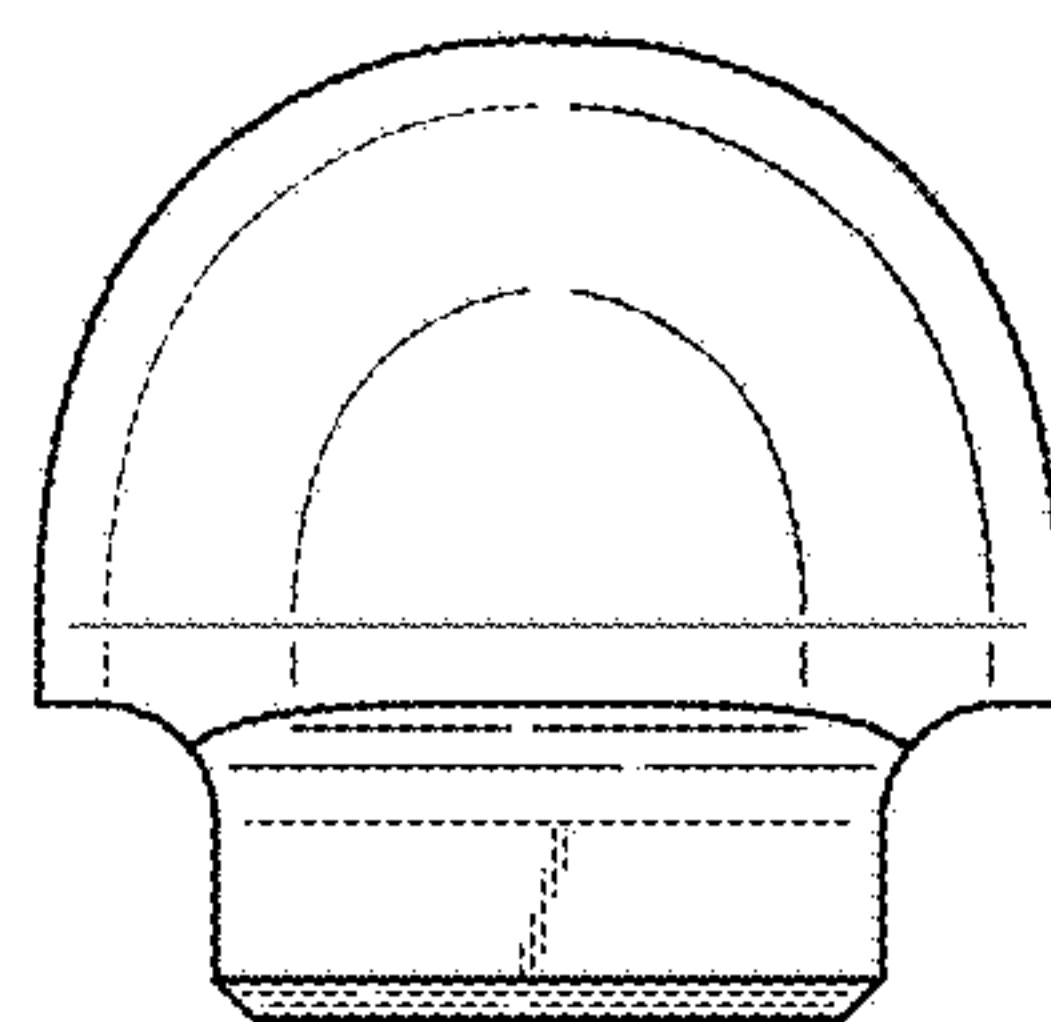
*FIG. 8*



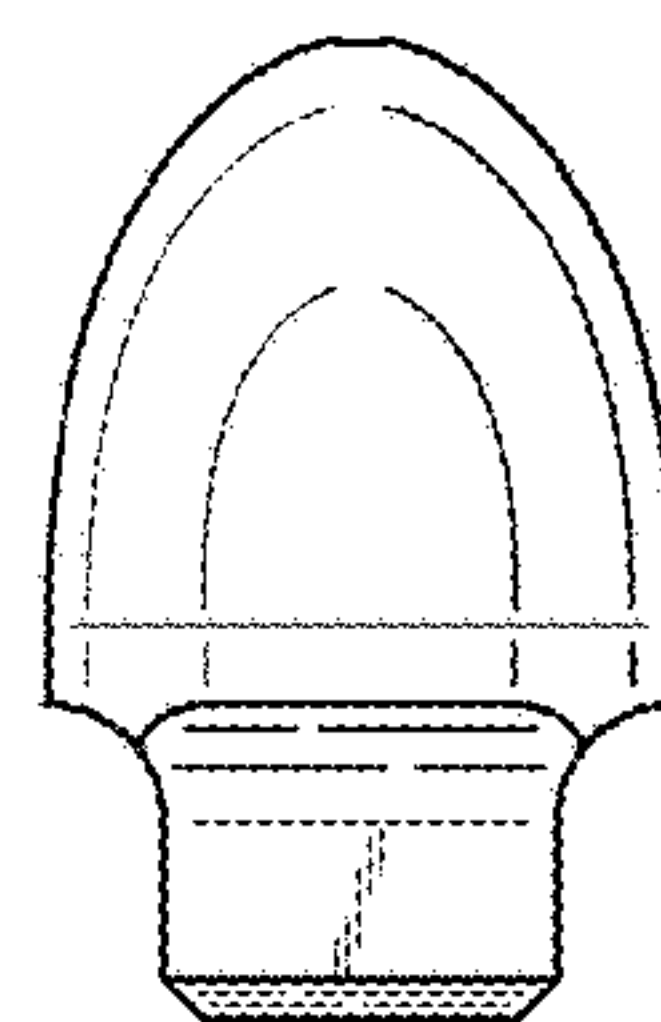
*FIG. 9*



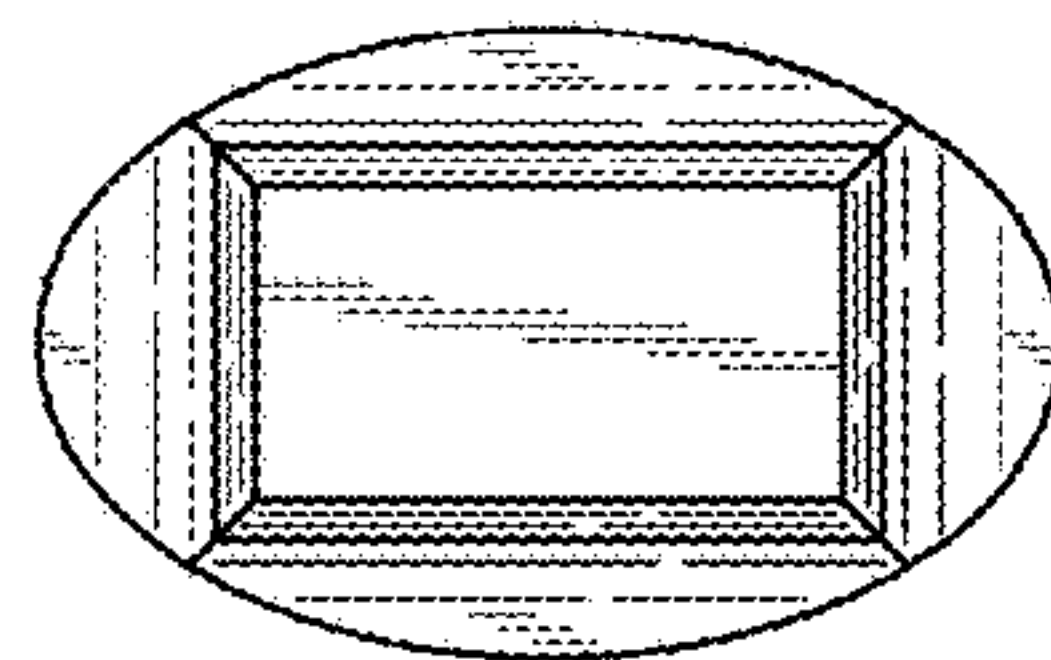
*FIG. 12*



*FIG. 10*



*FIG. 11*



*FIG. 13*