



US00D869084S

(12) **United States Design Patent**
Pan

(10) **Patent No.:** **US D869,084 S**

(45) **Date of Patent:** **** Dec. 3, 2019**

(54) **LIGHTER**

(71) Applicant: **L.A. LIGHTER, INC.**, City of Industry, CA (US)

(72) Inventor: **Phillip Pan**, City of Industry, CA (US)

(**) Term: **15 Years**

(21) Appl. No.: **29/650,515**

(22) Filed: **Jun. 7, 2018**

(51) **LOC (12) Cl.** **27-05**

(52) **U.S. Cl.**
USPC **D27/161**

(58) **Field of Classification Search**
USPC D27/161, 159, 153, 158, 139, 141, 142, D27/148; D23/211.1; 431/273, 274, 350, 431/351
CPC F23Q 2/00; F23Q 2/02; F23Q 2/16; F23Q 2/161; F23Q 2/162; F23Q 2/164; F23Q 2/167; F23Q 7/00; F23Q 7/14; F23Q 7/16; F23Q 7/24; F23Q 7/10
See application file for complete search history.

(56) **References Cited**

U.S. PATENT DOCUMENTS

D376,302 S *	12/1996	Tsai	D8/29.1
5,667,377 A *	9/1997	Lin	F23D 14/28 126/406
D444,912 S *	7/2001	Xie	D27/157
D465,978 S *	11/2002	Miyanaga	D8/30
D468,482 S *	1/2003	Lin	D27/157
D477,747 S *	7/2003	Hsu	D7/416
D538,969 S *	3/2007	Carlton	D27/148

D551,387 S *	9/2007	Smith	D27/157
D587,975 S *	3/2009	Aronson, II	D15/144
D667,993 S *	9/2012	Lin	D27/139
D667,994 S *	9/2012	Lin	D27/139
D820,331 S *	6/2018	Walters	D15/144
D844,405 S *	4/2019	Shen	D8/29.1
2010/0261129 A1 *	10/2010	Lin	F23D 14/28 431/344
2019/0093889 A1 *	3/2019	Ho	F23Q 2/164
2019/0093890 A1 *	3/2019	Shen	F23D 14/38

* cited by examiner

Primary Examiner — Susan Bennett Hattan

Assistant Examiner — Rebecca Tsehaye

(74) *Attorney, Agent, or Firm* — Tommy SF Wang; Wang IP Law Group, P.C.

(57) **CLAIM**

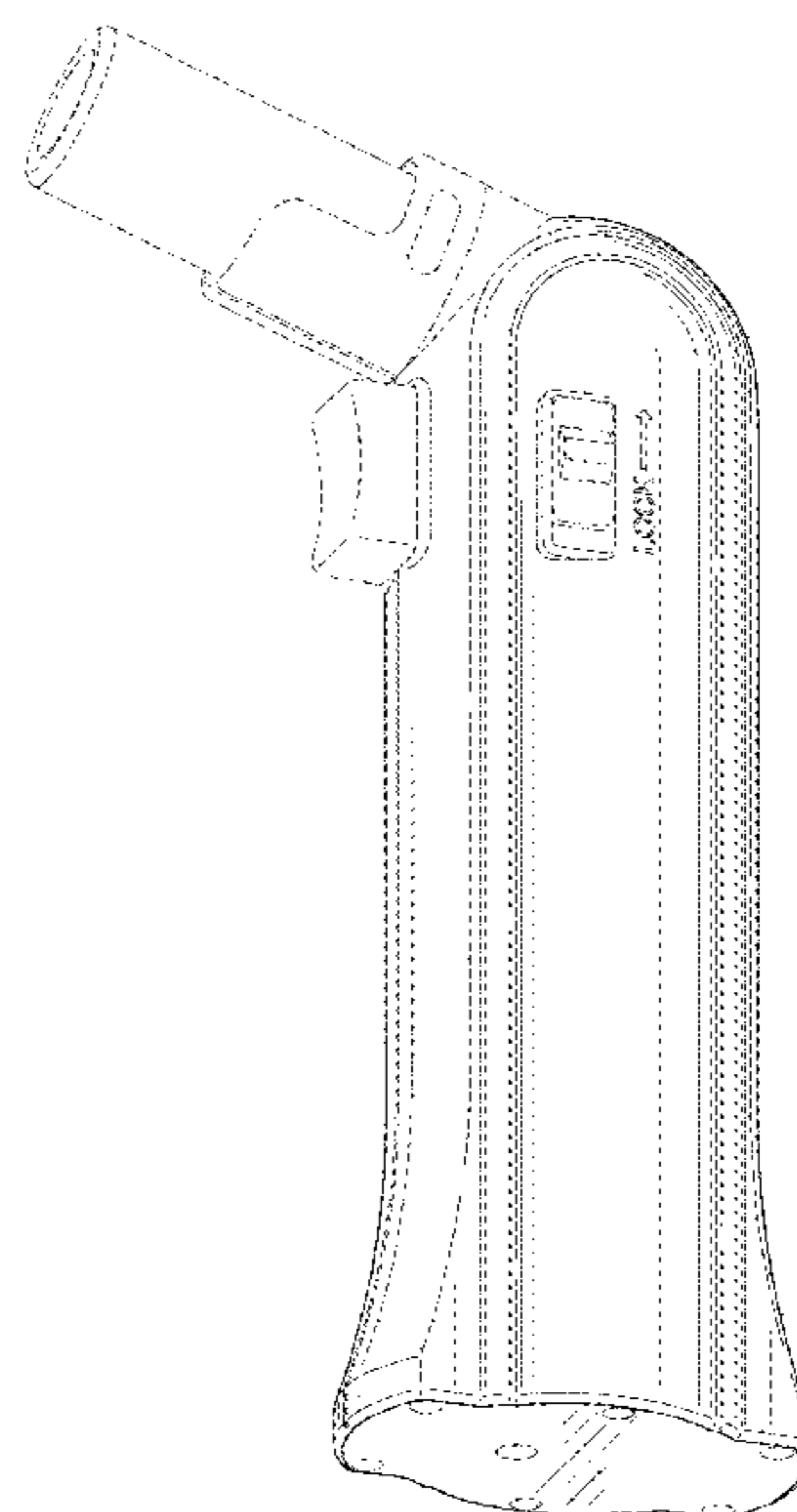
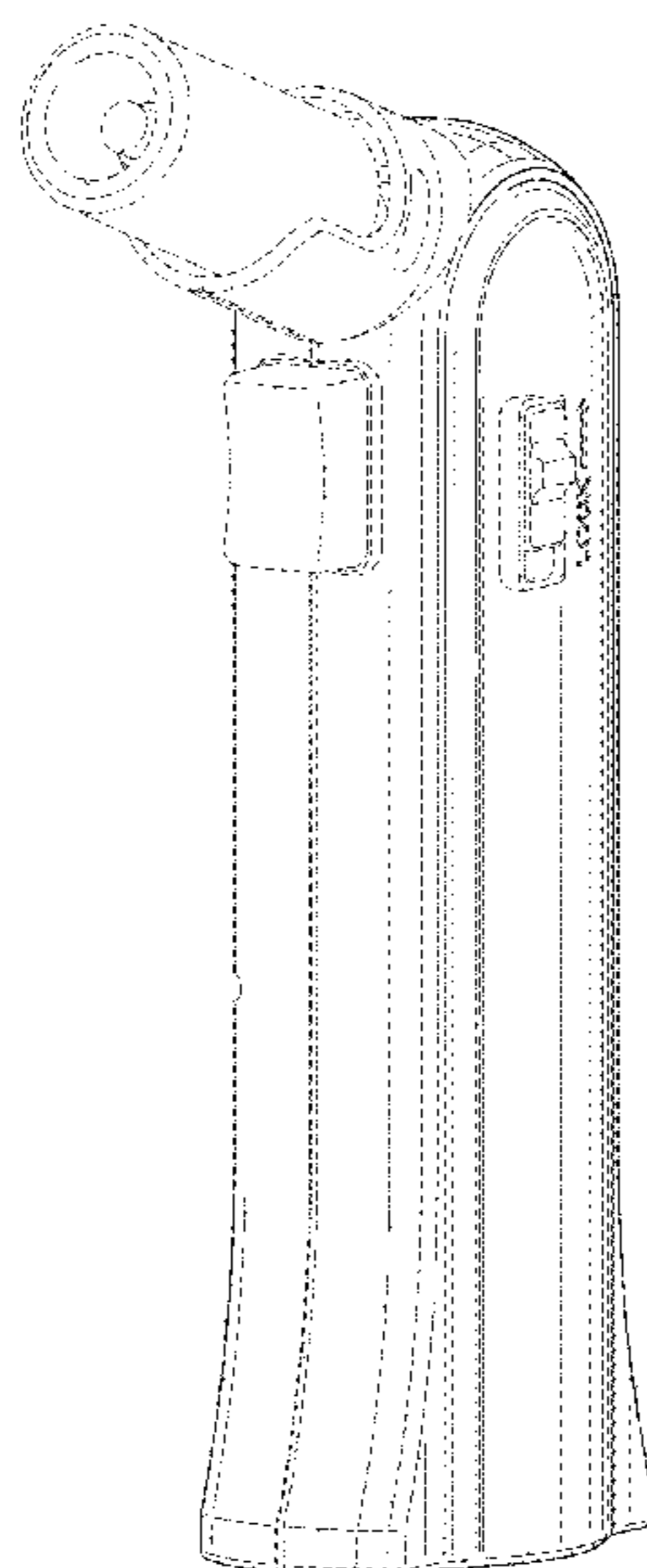
The ornamental design for a lighter, as shown and described.

DESCRIPTION

FIG. 1 is a perspective view of a lighter in a closed position showing my new design;
FIG. 2 another perspective view thereof;
FIG. 3 is a front view thereof;
FIG. 4 is a rear view thereof;
FIG. 5 is a left side view thereof;
FIG. 6 is a right side view thereof;
FIG. 7 is a top view thereof; and,
FIG. 8 is a bottom view thereof.

The broken lines in the drawings depict portions of the lighter and form no part of the claimed design.

1 Claim, 7 Drawing Sheets



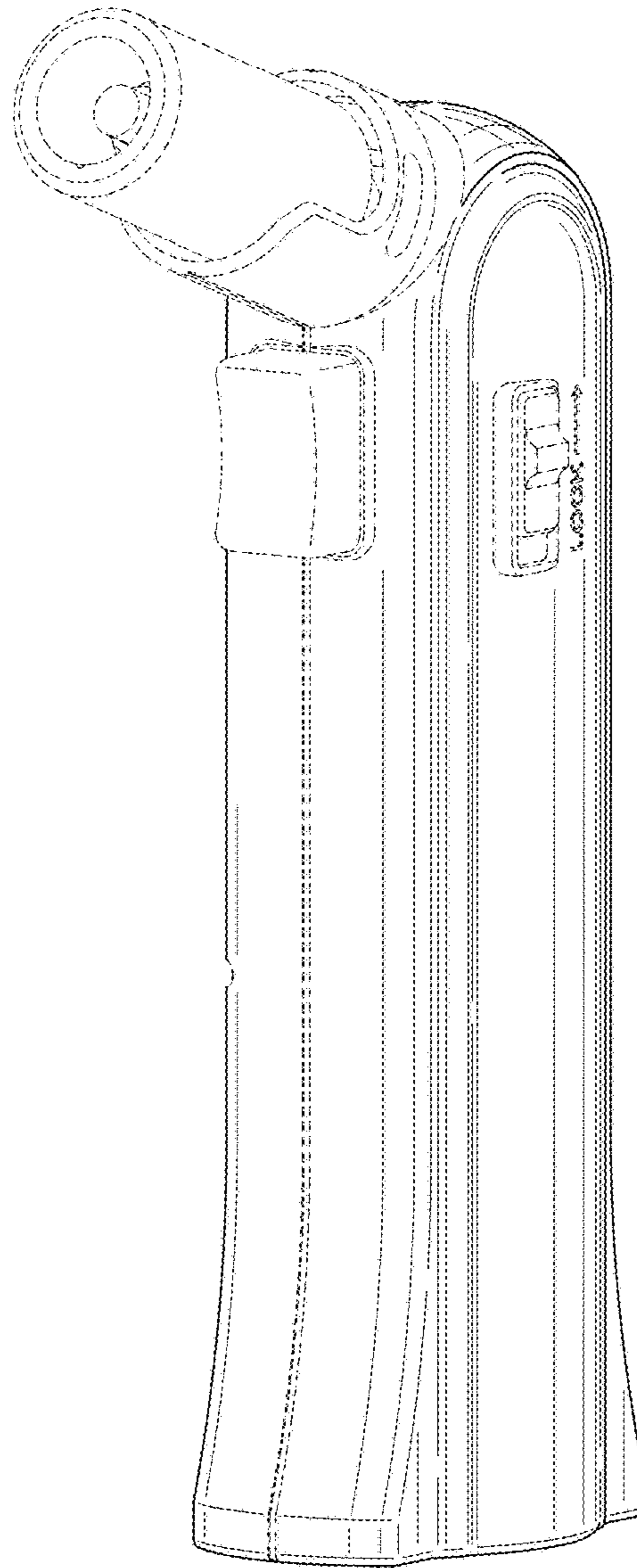


FIG. 1

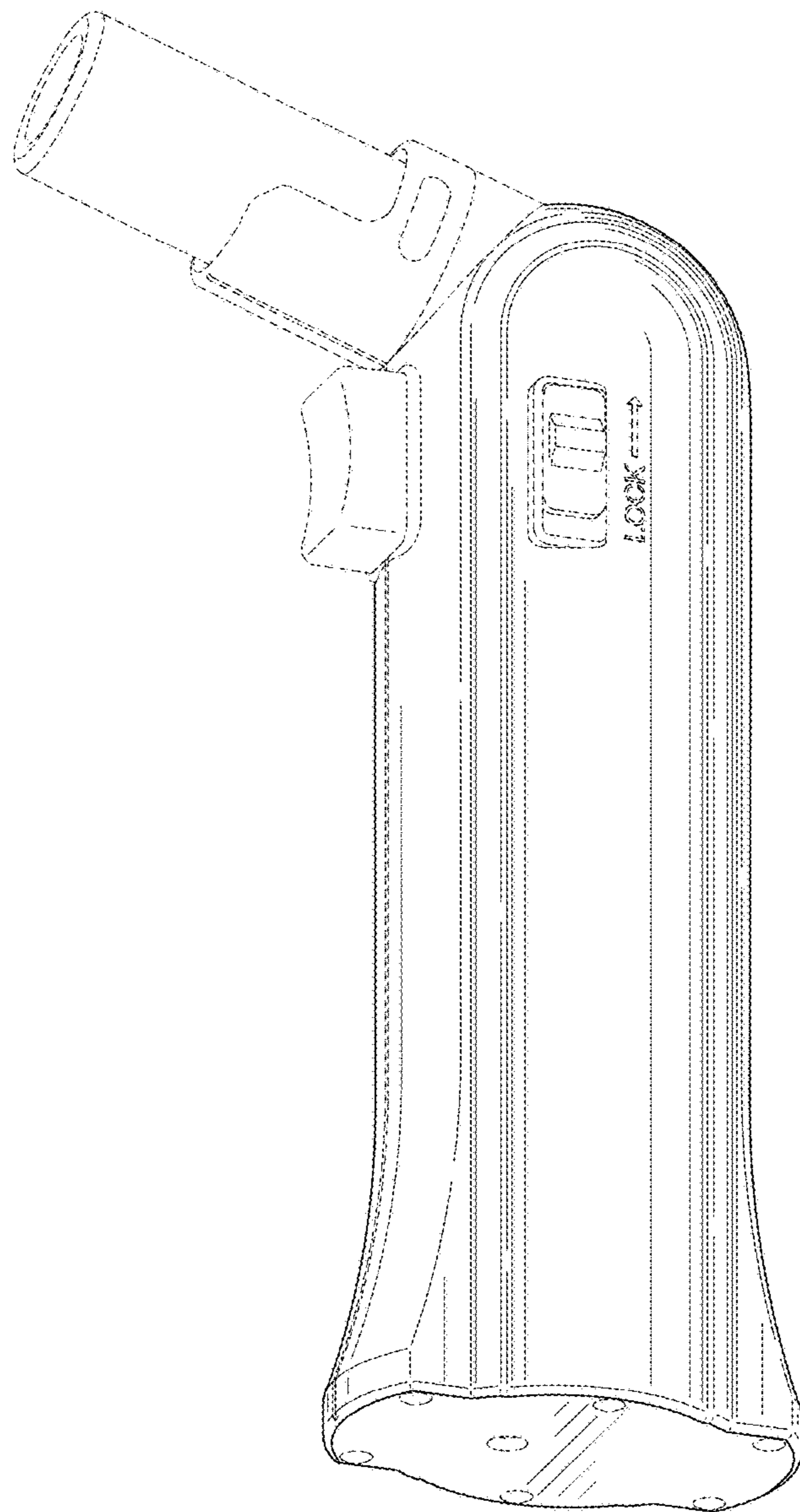


FIG. 2

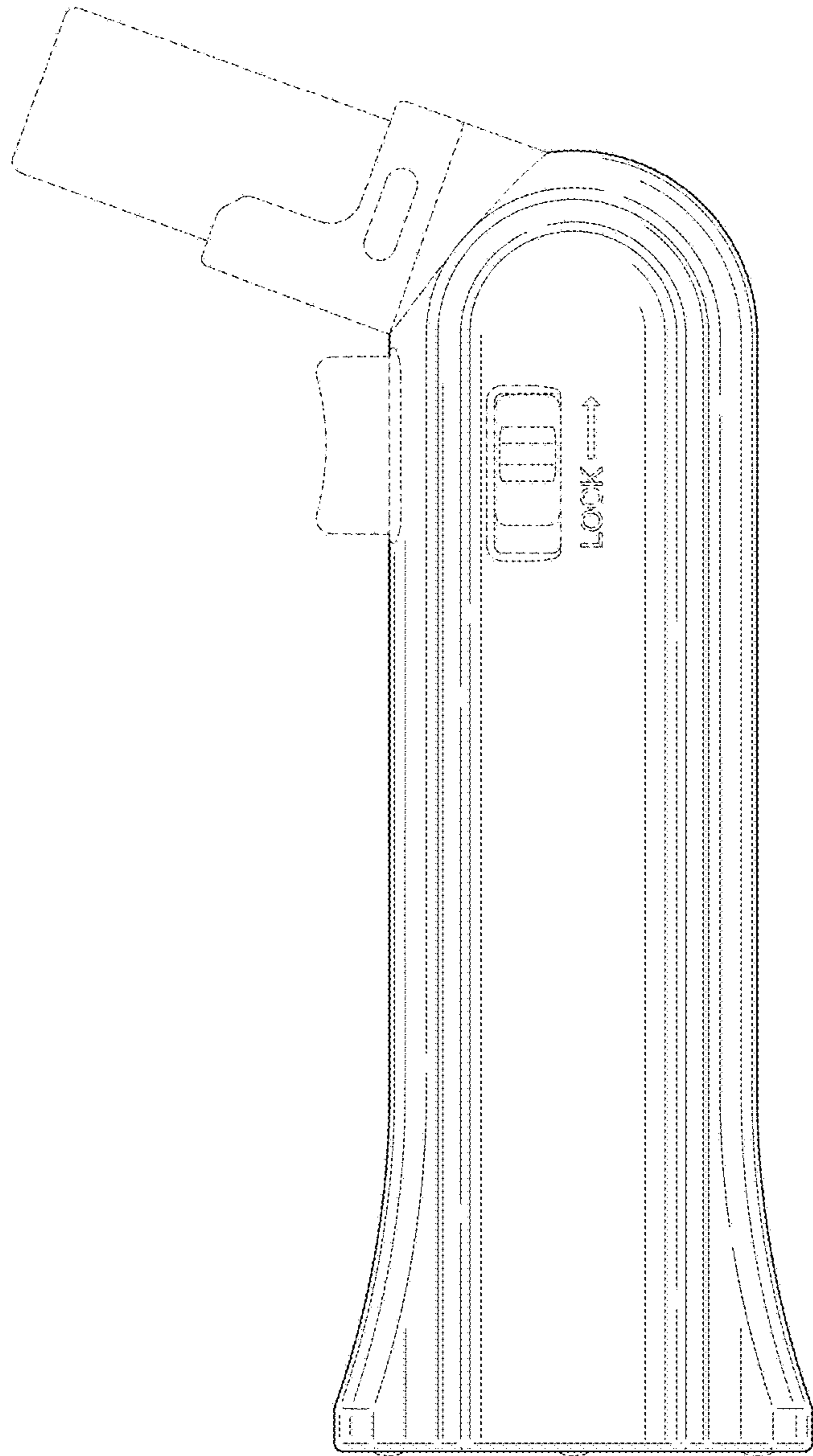


FIG. 3

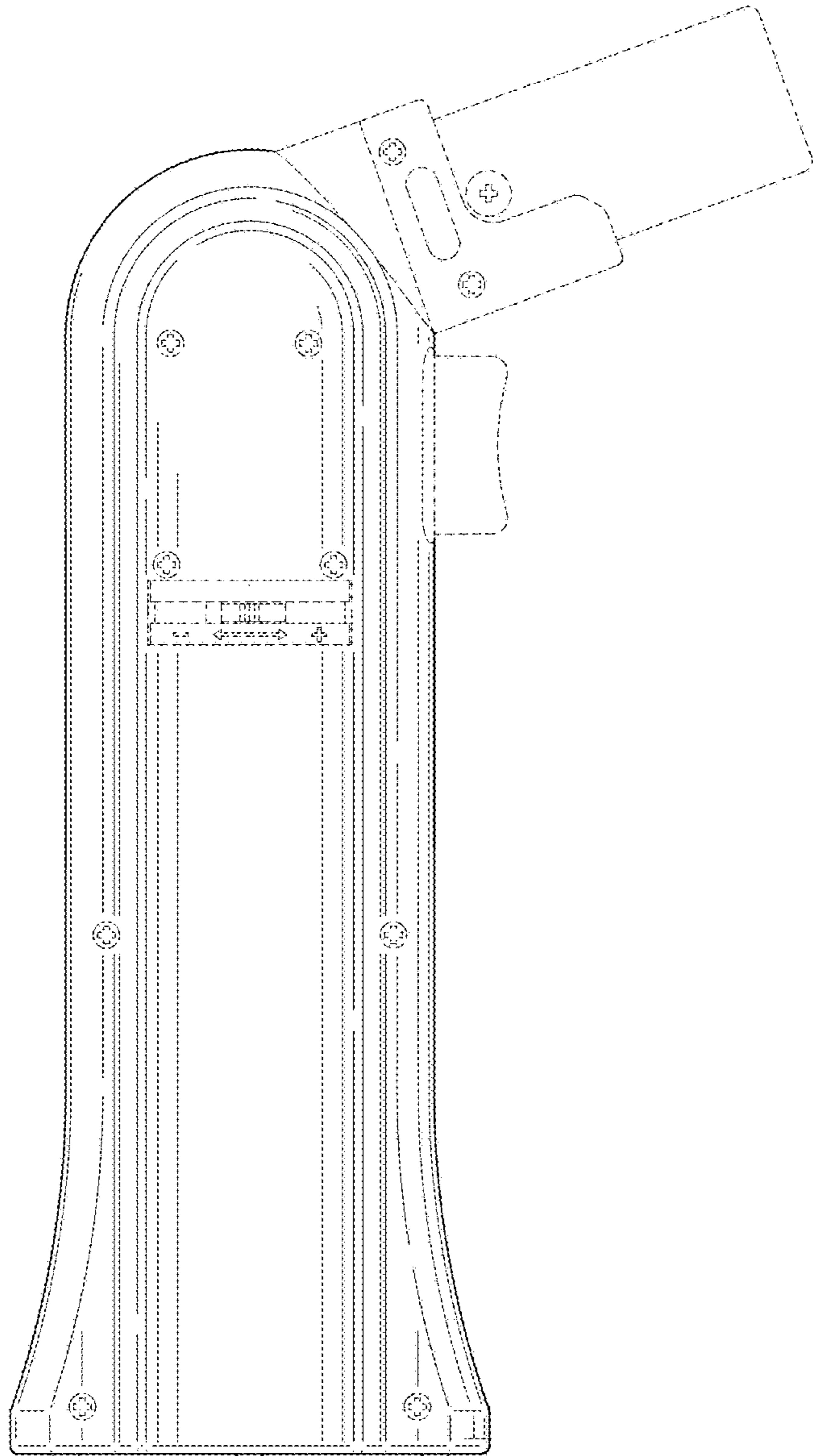


FIG. 4

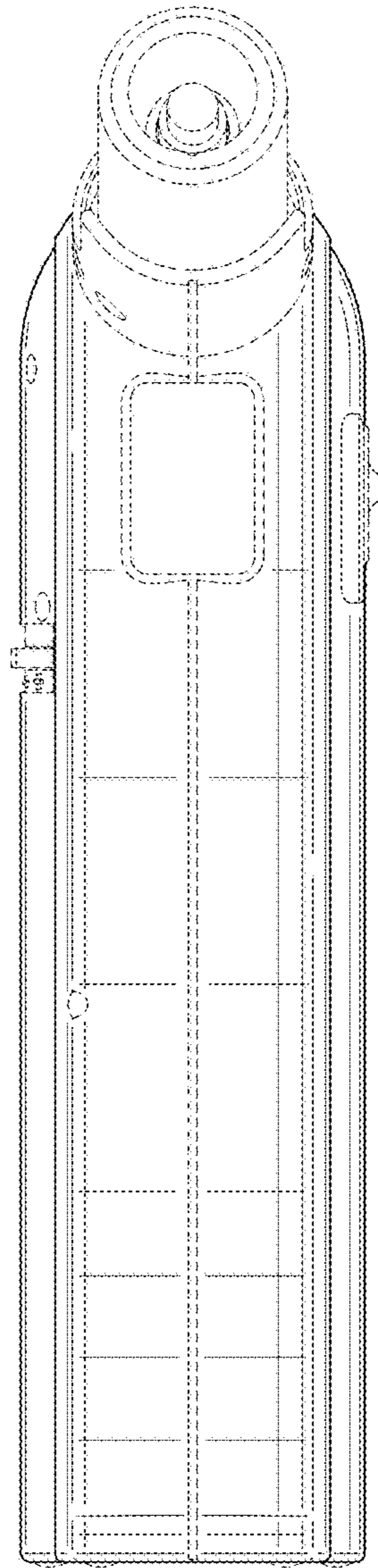


FIG. 5

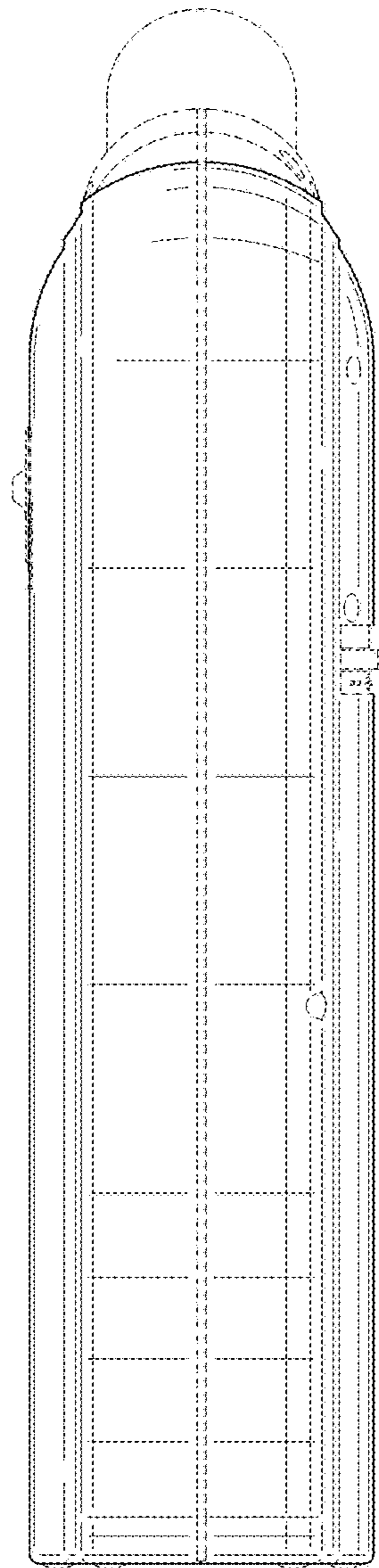


FIG. 6

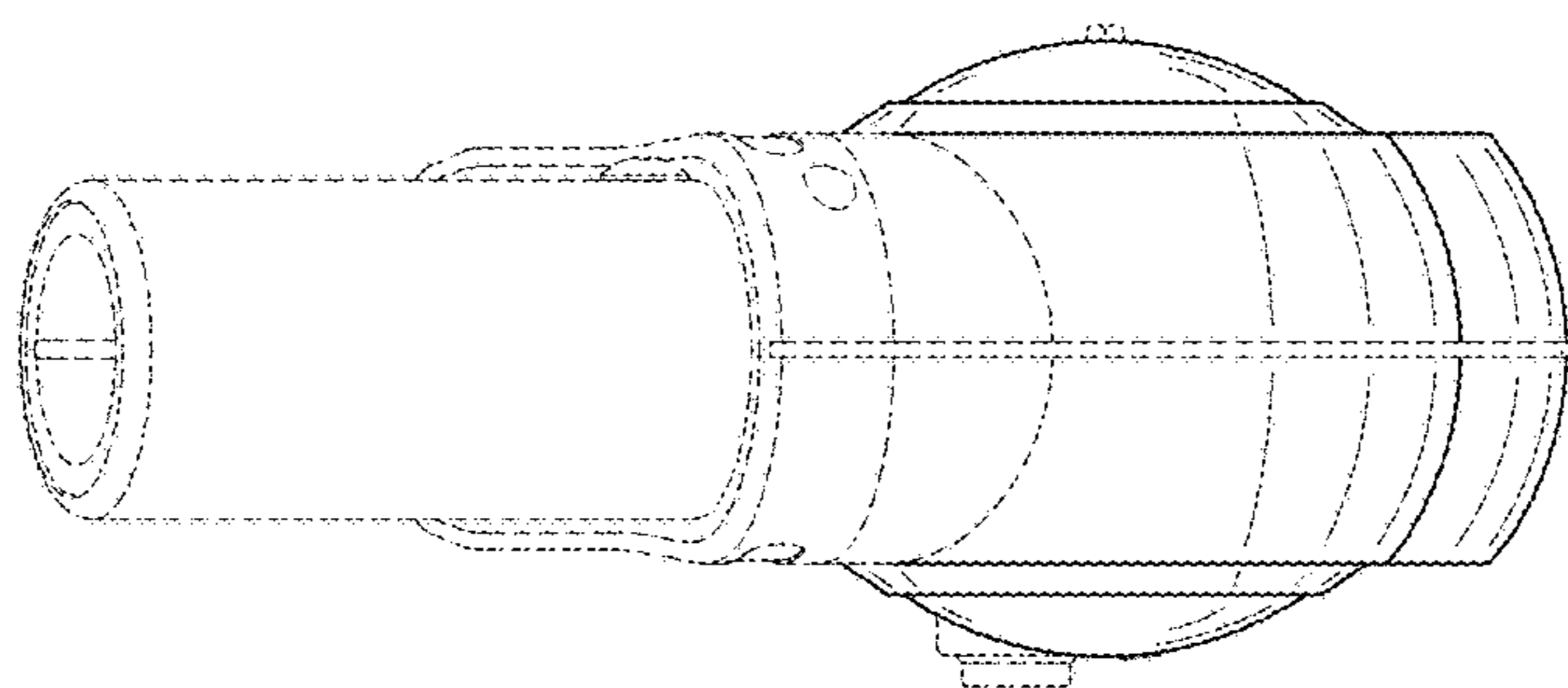


FIG. 7

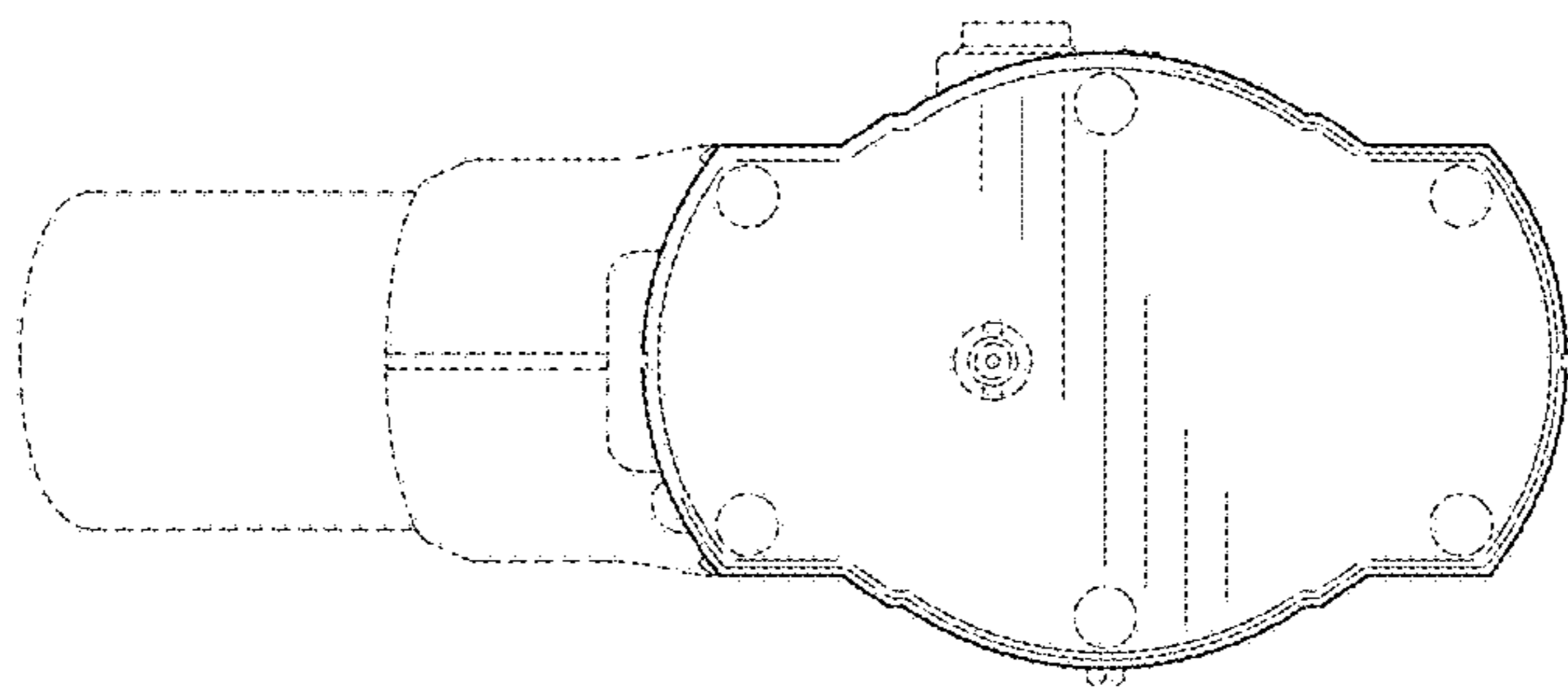


FIG. 8