

US00D869082S

(12) **United States Design Patent** (10) **Patent No.:** **US D869,082 S**  
**Amato et al.** (45) **Date of Patent:** **\*\* Dec. 3, 2019**

- (54) **LIGHTING FIXTURE**
- (71) Applicant: **The Urban Electric Company**, North Charleston, SC (US)
- (72) Inventors: **Michael Amato**, Johns Island, SC (US); **David Dawson**, Charleston, SC (US); **Jonathan Charpia**, Summerville, SC (US); **Christopher Roof**, Charleston, SC (US); **Joeangel Casanova**, North Charleston, SC (US); **Courteney Salsbury**, Mount Pleasant, SC (US); **Brianna Magagnoli**, Charleston, SC (US)
- (73) Assignee: **The Urban Electric Company**, North Charleston, SC (US)
- (\*\*) Term: **15 Years**
- (21) Appl. No.: **29/598,824**
- (22) Filed: **Mar. 29, 2017**
- (51) **LOC (12) Cl.** ..... **26-05**
- (52) **U.S. Cl.**  
USPC ..... **D26/145**
- (58) **Field of Classification Search**  
USPC ..... D26/60, 74, 75, 76, 77, 78, 79, 80-85, D26/120, 121, 122, 128, 140, 145, 152, D26/154, 155; D8/371  
CPC ..... F21S 2/00; F21S 4/003  
See application file for complete search history.

- (56) **References Cited**  
U.S. PATENT DOCUMENTS  
D64,523 S \* 4/1924 Wolter ..... D26/145  
4,247,886 A \* 1/1981 Warshawsky ..... F21V 21/26  
362/427  
4,554,620 A \* 11/1985 Warshawsky ..... F21S 6/002  
362/269  
5,379,205 A \* 1/1995 Peng ..... F21V 21/26  
248/282.1

- 5,863,110 A \* 1/1999 Swanson ..... F21V 21/02  
362/269
- D436,202 S \* 1/2001 Chen ..... D26/60
- D473,002 S \* 4/2003 Hoernig ..... D26/87
- D556,373 S \* 11/2007 Sussman ..... D26/145
- D576,767 S \* 9/2008 Gutkin ..... D26/145
- D589,202 S \* 3/2009 Sabernig ..... D26/87
- D595,889 S \* 7/2009 Sabernig ..... D26/118
- D605,331 S \* 12/2009 Miranda ..... D26/87
- D711,587 S \* 8/2014 Comte ..... D26/155
- D786,480 S \* 5/2017 Dolan ..... D26/81
- D786,496 S \* 5/2017 Dolan ..... D26/128

(Continued)

*Primary Examiner* — Mark A Goodwin  
*Assistant Examiner* — Benjamin M Weeks  
(74) *Attorney, Agent, or Firm* — Jeffrey T. Stover;  
Haynsworth Sinkler Boyd, P.A.

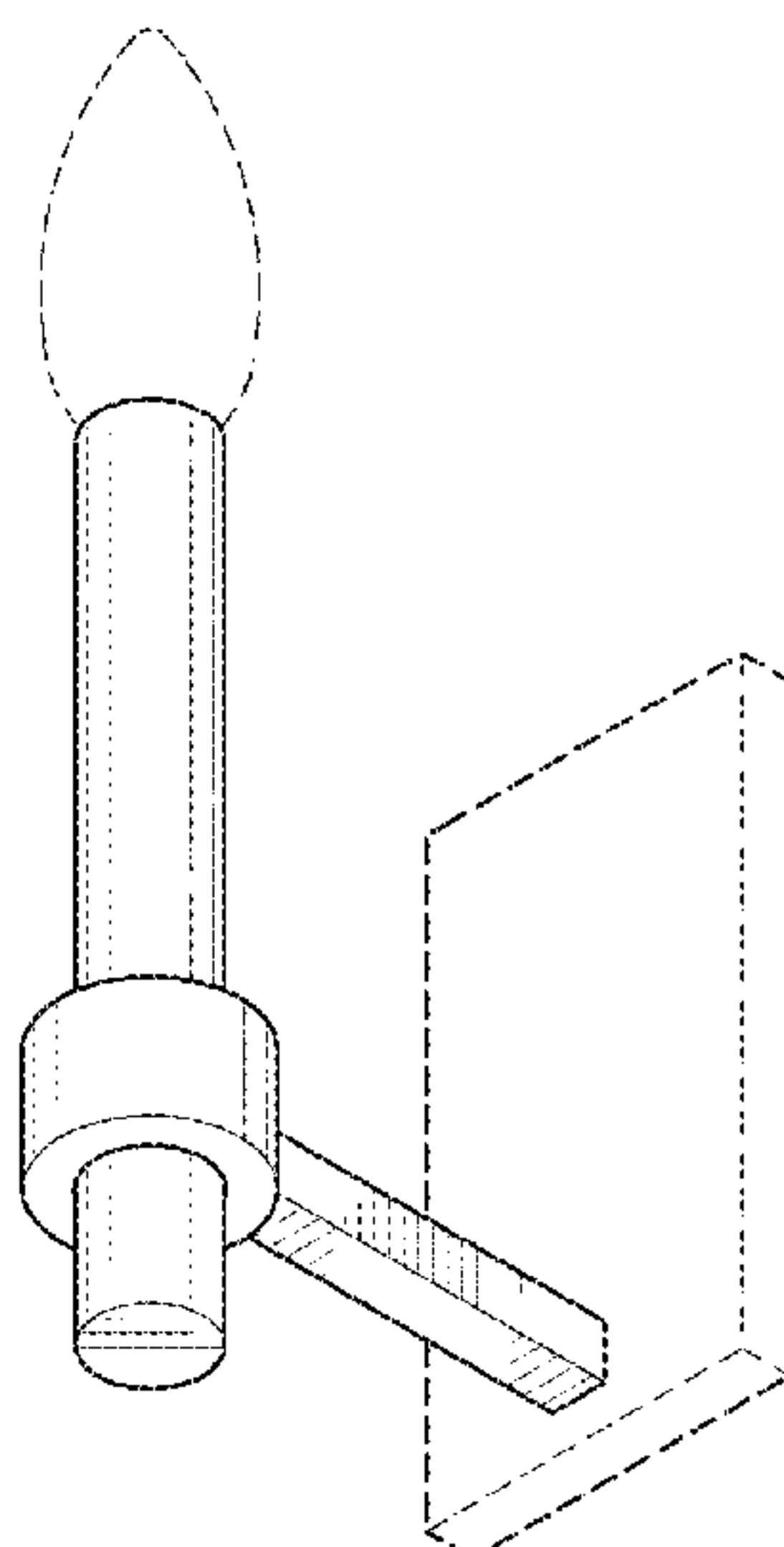
(57) **CLAIM**

The ornamental design for a lighting fixture, as shown and described.

**DESCRIPTION**

FIG. 1 is a bottom right perspective view of a new lighting fixture design in which the lampshade portion thereof is not shown;  
FIG. 2 is a back elevation view thereof;  
FIG. 3 is a left side elevation view thereof;  
FIG. 4 is a right side elevation view thereof;  
FIG. 5 is a top plan view thereof;  
FIG. 6 is a bottom plan view thereof;  
FIG. 7 is a top right perspective view thereof;  
FIG. 8 is a top right perspective view thereof in which the lampshade portion thereof is not shown; and,  
FIG. 9 is a bottom right perspective view thereof.  
The broken line showing of the wall plate, light bulb and lamp shade portion of the lighting fixture is included for the purpose of illustrating environmental structure only and forms no part of the claimed design.

**1 Claim, 9 Drawing Sheets**



(56)

**References Cited**

U.S. PATENT DOCUMENTS

D798,496 S \* 9/2017 Herft ..... D26/145  
D826,459 S \* 8/2018 Amato ..... D26/87

\* cited by examiner

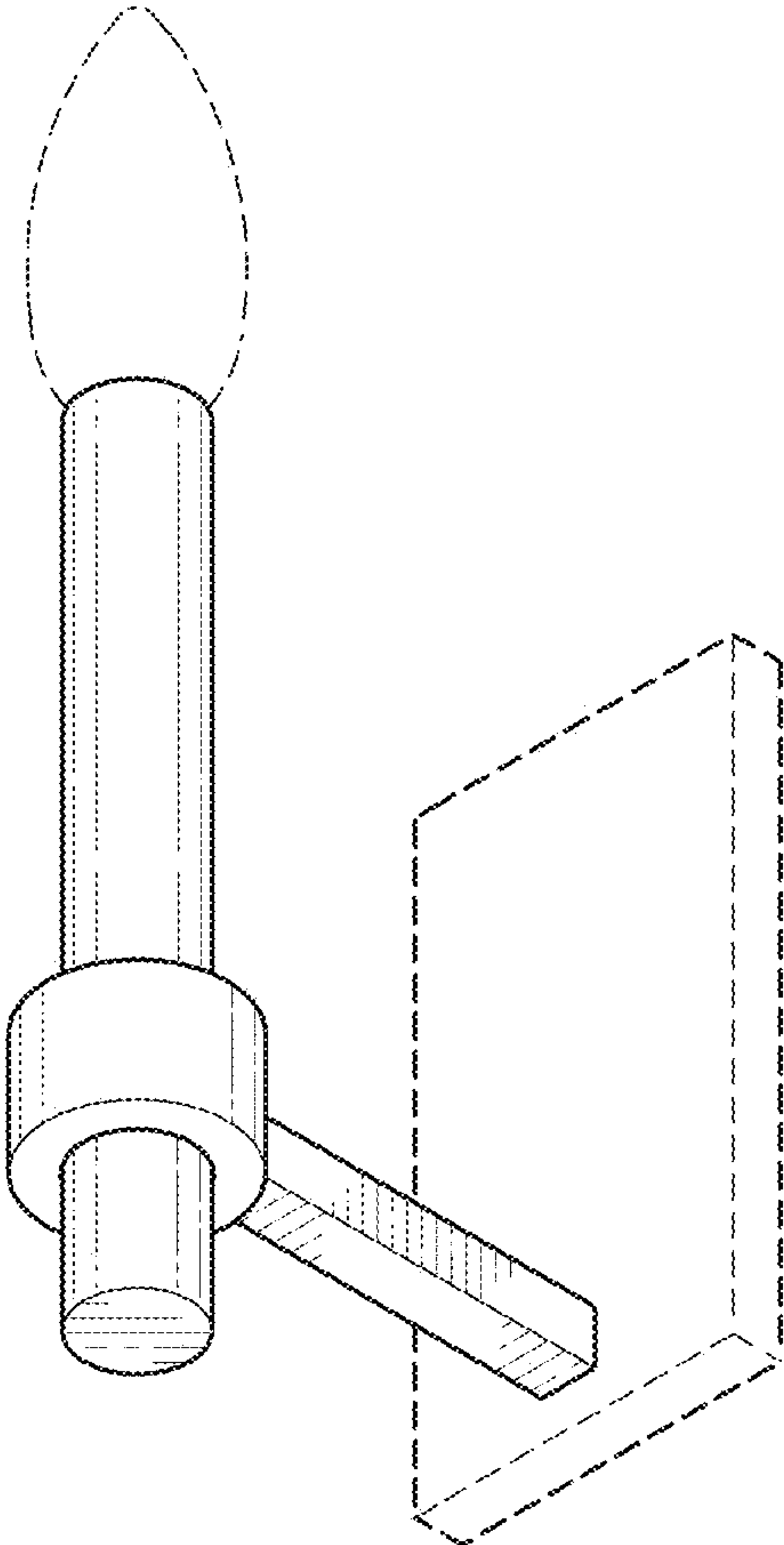


FIG. 1

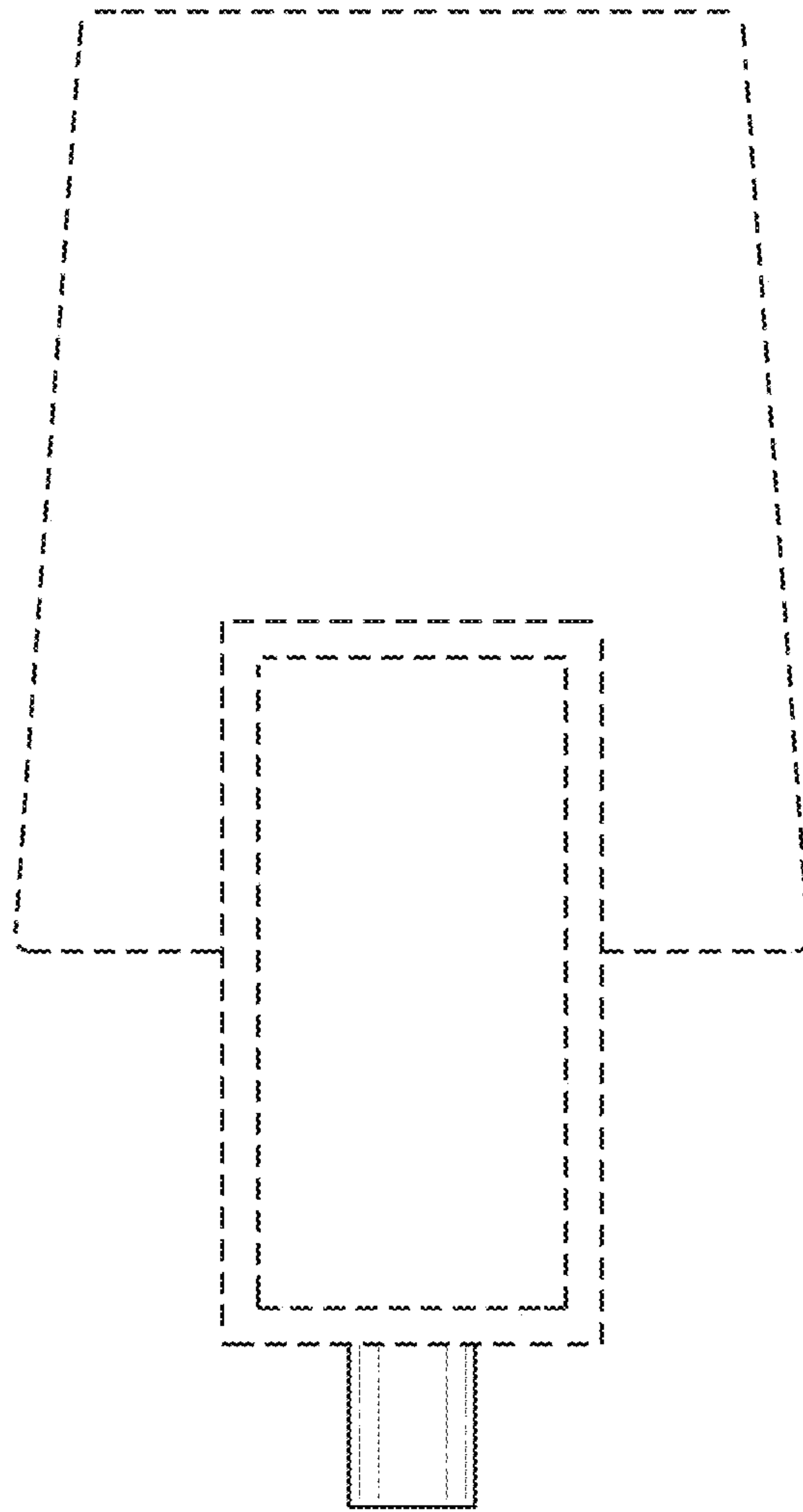


FIG. 2

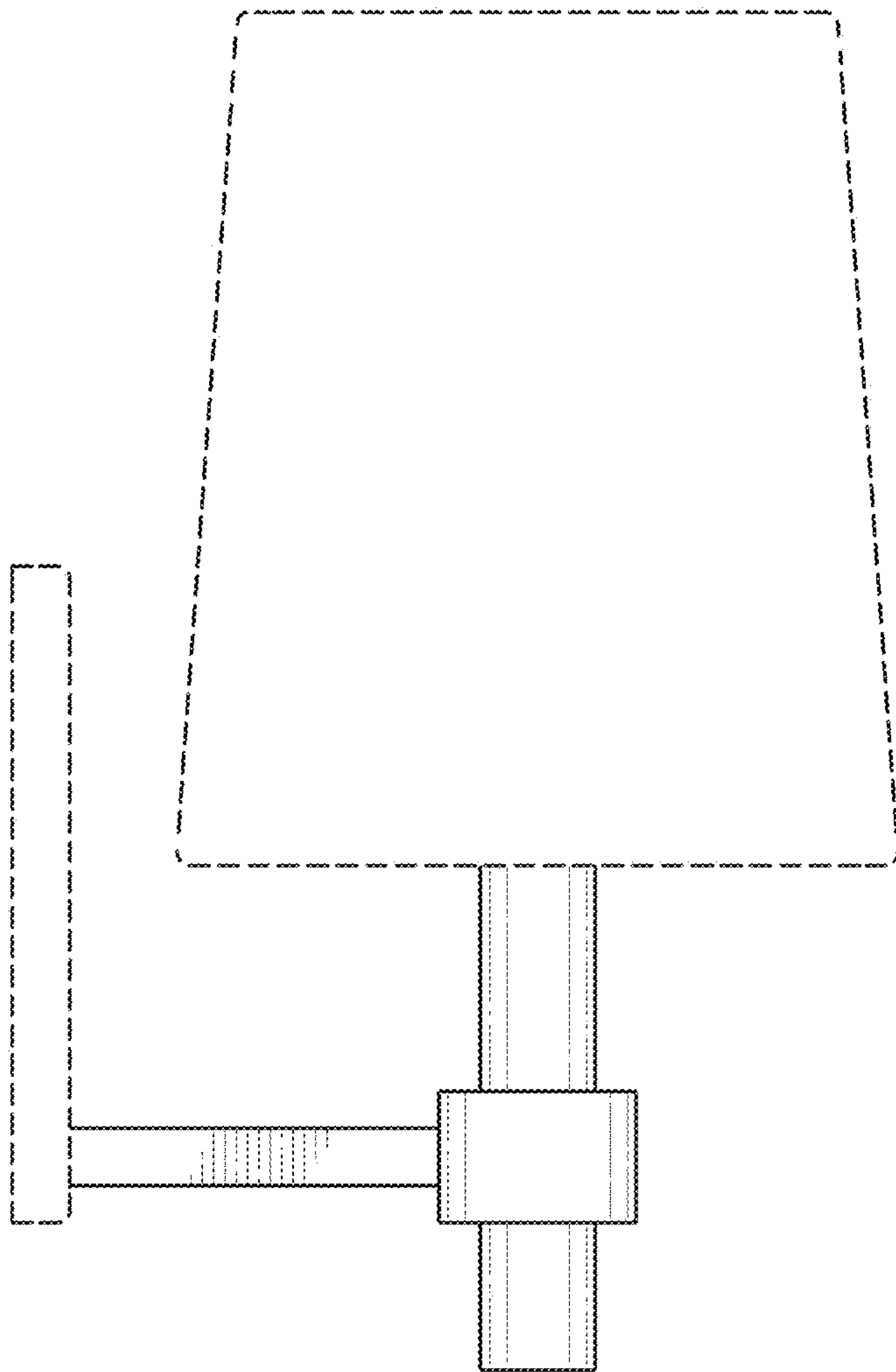


FIG. 3

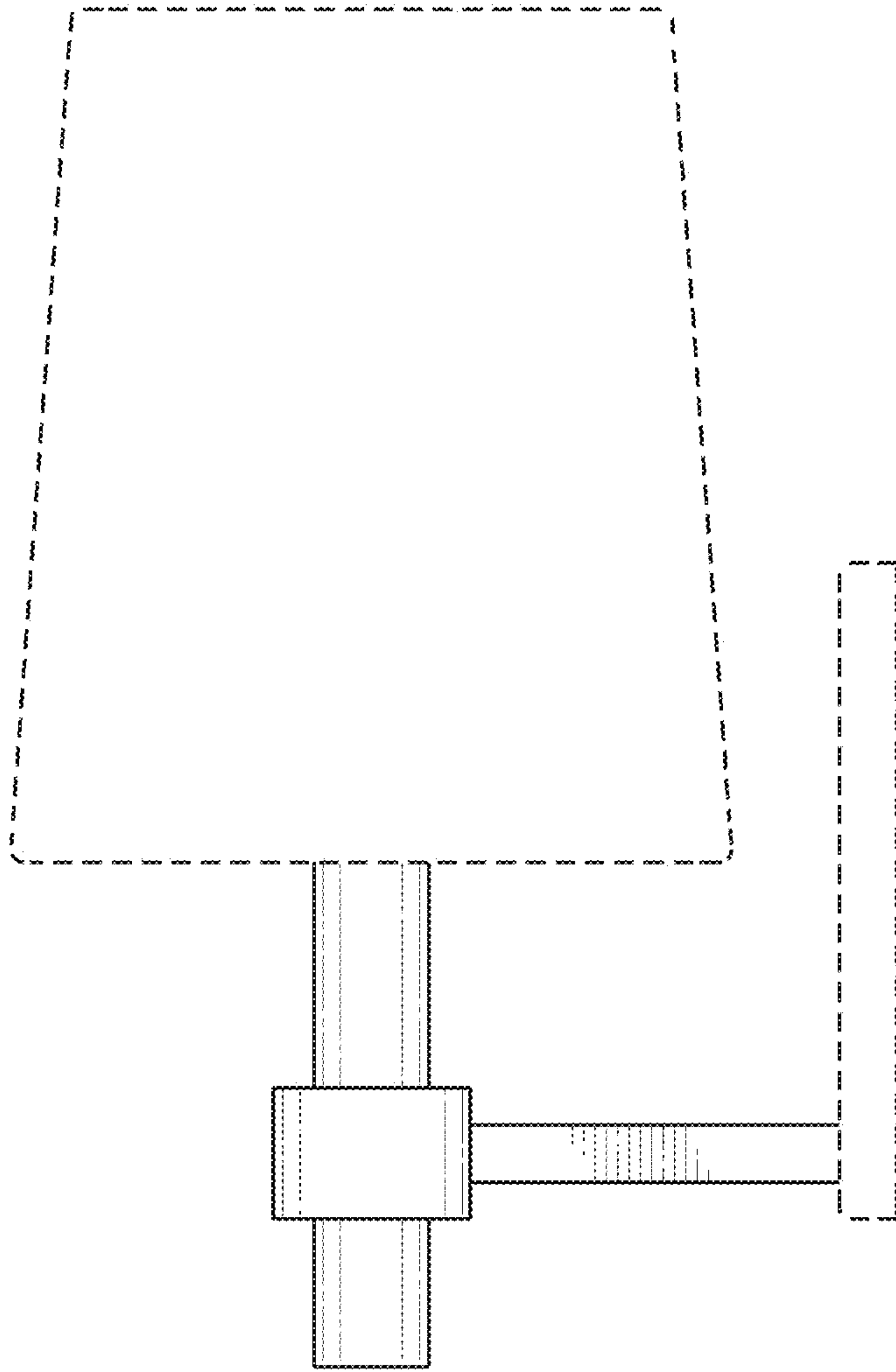
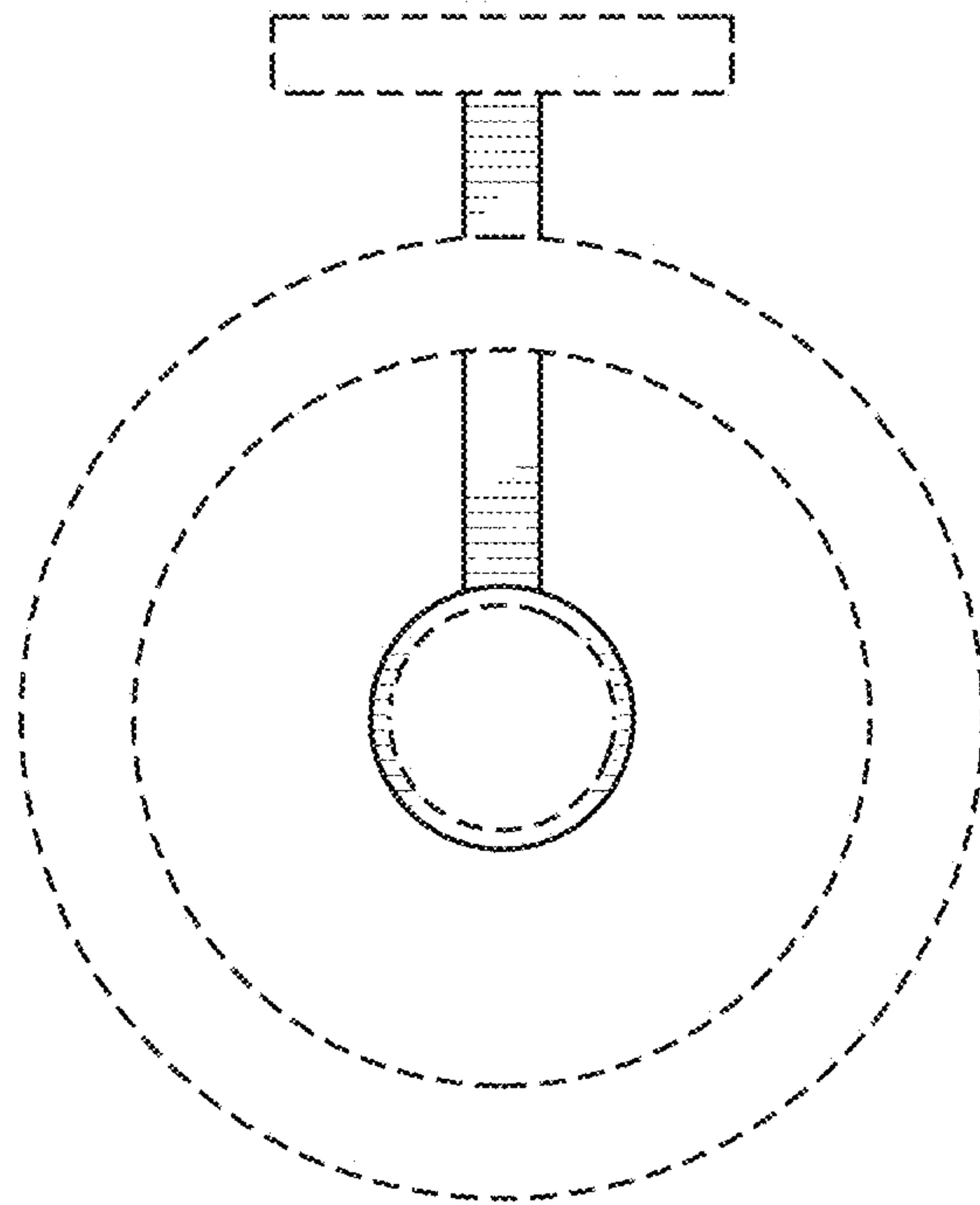
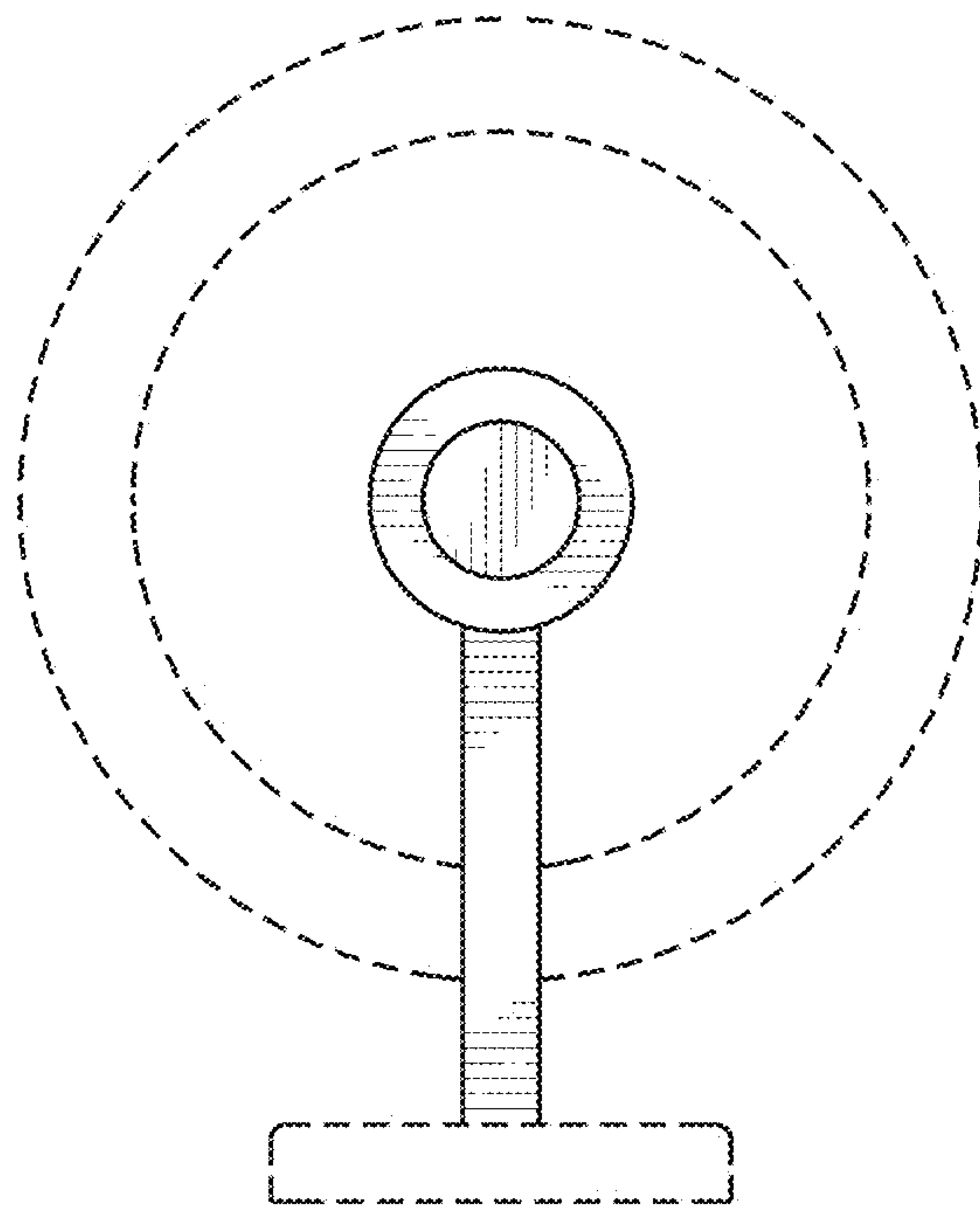


FIG. 4



**FIG. 5**



**FIG. 6**



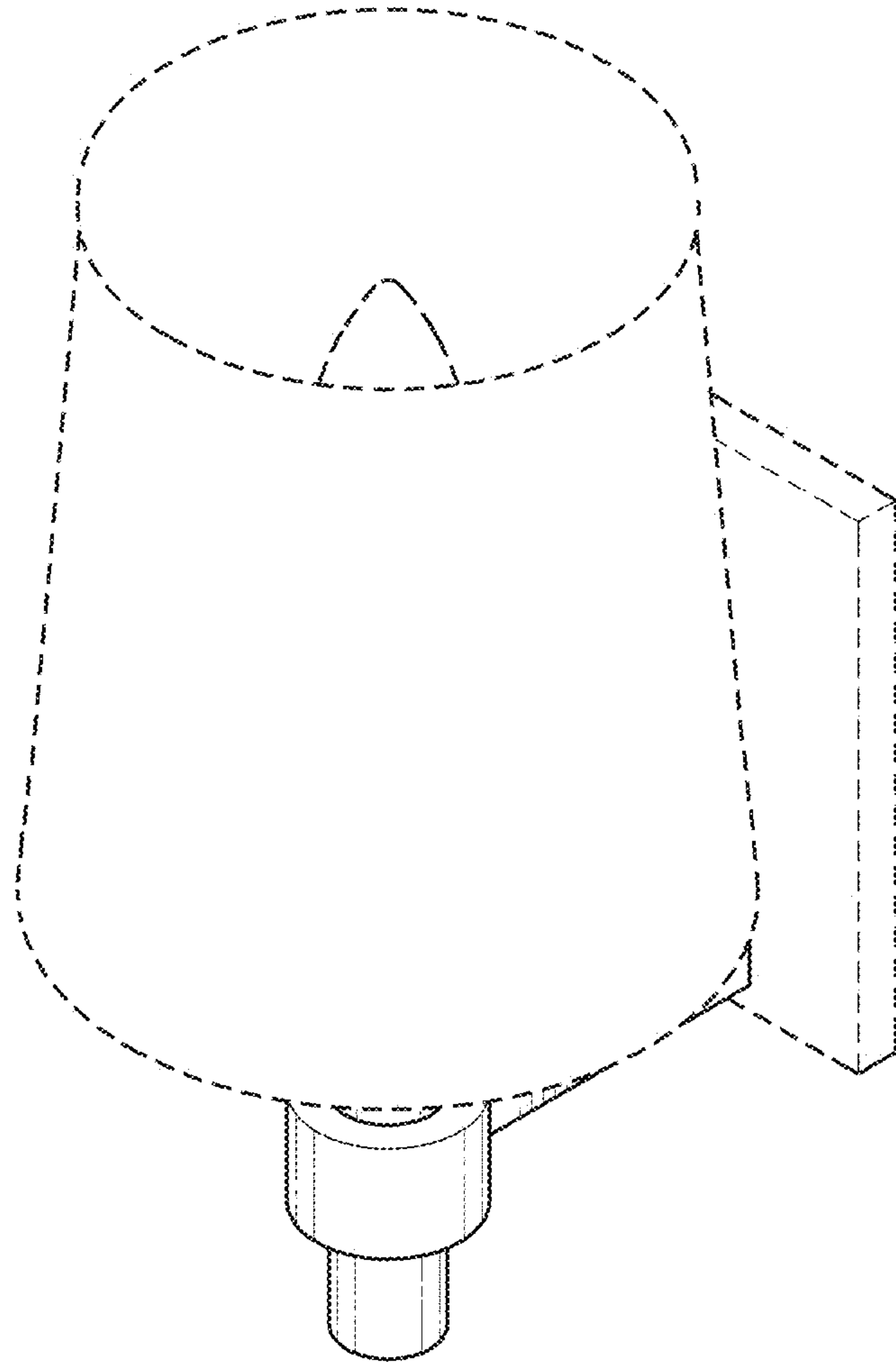


FIG. 7

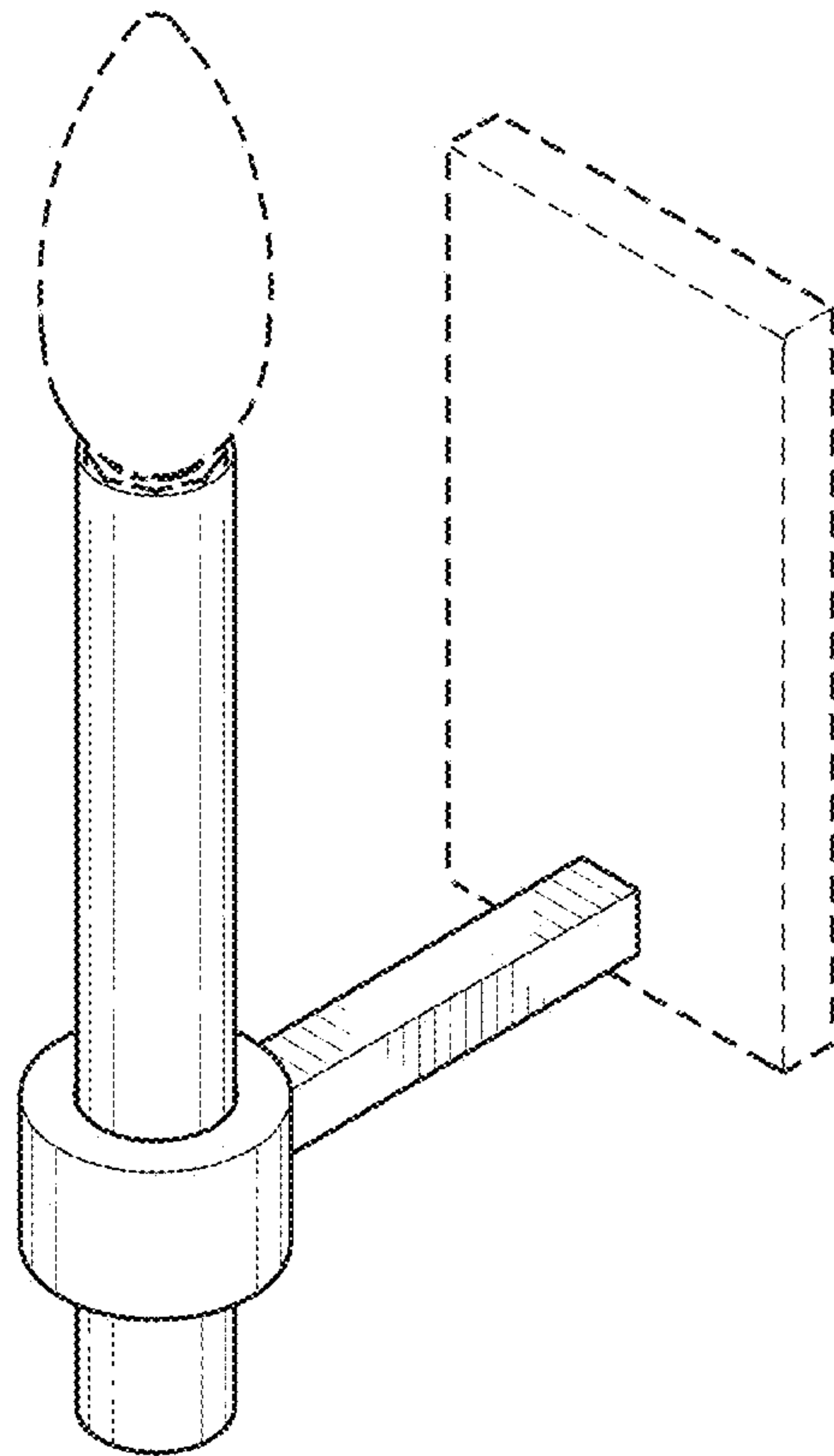


FIG. 8

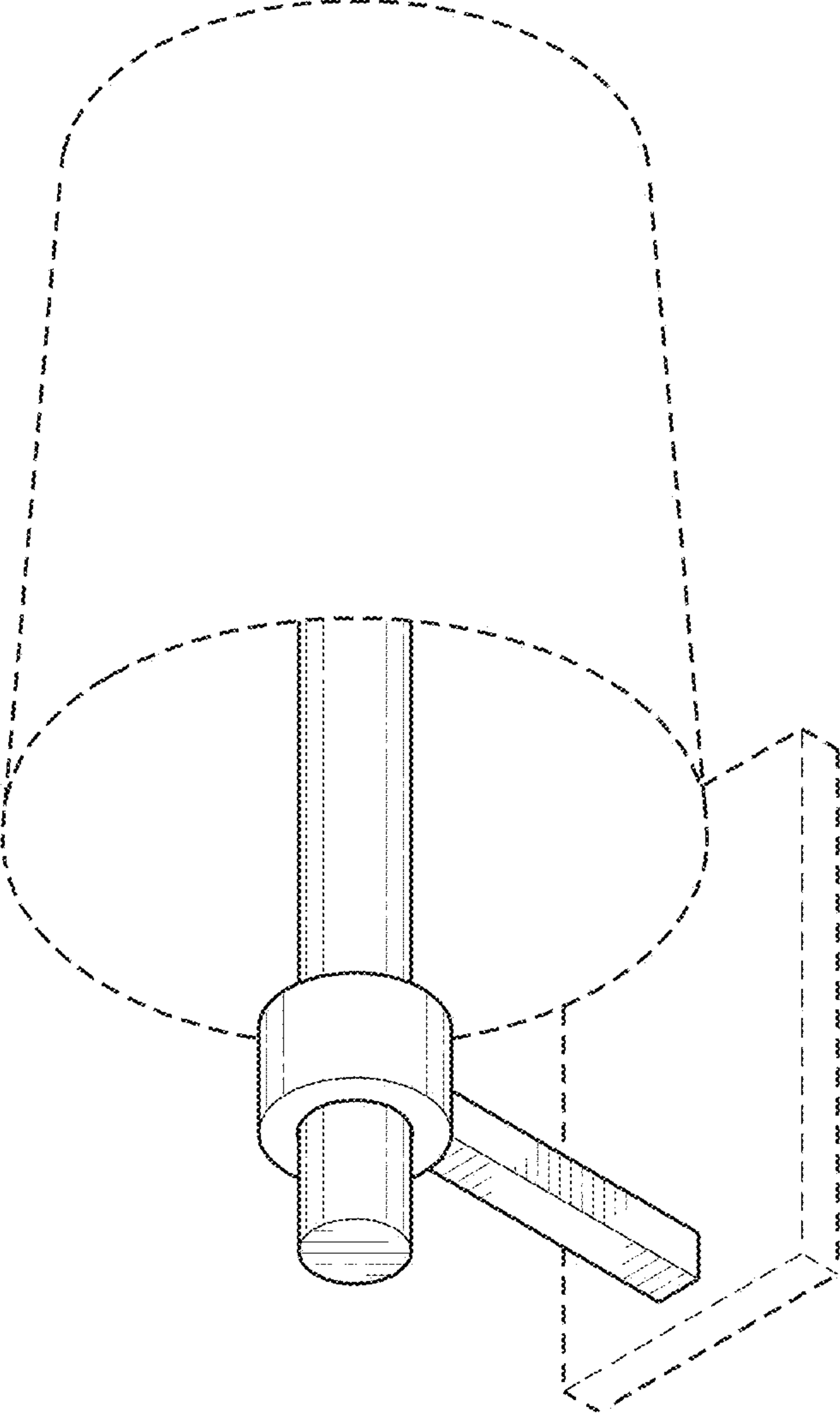


FIG. 9