



US00D869078S

(12) **United States Design Patent**  
**Trzeciński**

(10) **Patent No.:** **US D869,078 S**  
(45) **Date of Patent:** **\*\* Dec. 3, 2019**

(54) **HOUSING FOR A LED-BASED LIGHTING APPARATUS**

(71) Applicant: **LED Labs sp. z o.o.**, Kraków (PL)

(72) Inventor: **Grzegorz Trzeciński**, Kraków (PL)

(73) Assignee: **LED LABS Sp. z o.o.**, Cracow (PL)

(\*\*) Term: **15 Years**

(21) Appl. No.: **29/661,259**

(22) Filed: **Aug. 26, 2018**

(51) **LOC (12) Cl.** ..... **26-05**

(52) **U.S. Cl.**  
USPC ..... **D26/138**

(58) **Field of Classification Search**  
USPC .... D26/1, 24, 26–28, 37–50, 35, 36, 61, 62,  
D26/63, 64, 65, 66, 71, 72, 73, 74, 75,  
D26/87, 89, 76, 78, 79, 80, 81, 82, 83,  
D26/85, 86, 88, 90, 113, 118, 119, 120,  
D26/121

CPC ..... F21S 2/00; F21S 4/00; F21S 4/003; F21S  
4/005; F21S 4/006; F21S 6/00; F21S  
8/00; F21S 8/024

See application file for complete search history.

(56) **References Cited**

**U.S. PATENT DOCUMENTS**

D437,944 S \* 2/2001 Neuhofer, Jr. .... D25/199  
D623,343 S \* 9/2010 Kluś ..... D26/138

D649,681 S \* 11/2011 Trzesniowski ..... D26/138  
D649,683 S \* 11/2011 Trzesniowski ..... D26/138  
D649,687 S \* 11/2011 Trzesniowski ..... D26/138  
D652,986 S \* 1/2012 Trzesniowski ..... D26/138  
D662,255 S \* 6/2012 Klu ..... D26/138  
D731,704 S \* 6/2015 Klus ..... D26/138  
D792,017 S \* 7/2017 Klus ..... D26/138  
D796,110 S \* 8/2017 Klus ..... D26/138  
D799,065 S \* 10/2017 Tremaine ..... D25/119  
D818,194 S \* 5/2018 Trzesniowski ..... D26/138  
D821,611 S \* 6/2018 Singh ..... D25/119  
D833,650 S \* 11/2018 Singh ..... D25/119  
D845,516 S \* 4/2019 Yuan ..... D25/121

\* cited by examiner

*Primary Examiner* — Mark A Goodwin

*Assistant Examiner* — Benjamin M Weeks

(74) *Attorney, Agent, or Firm* — Andrew Malarz, Esq.

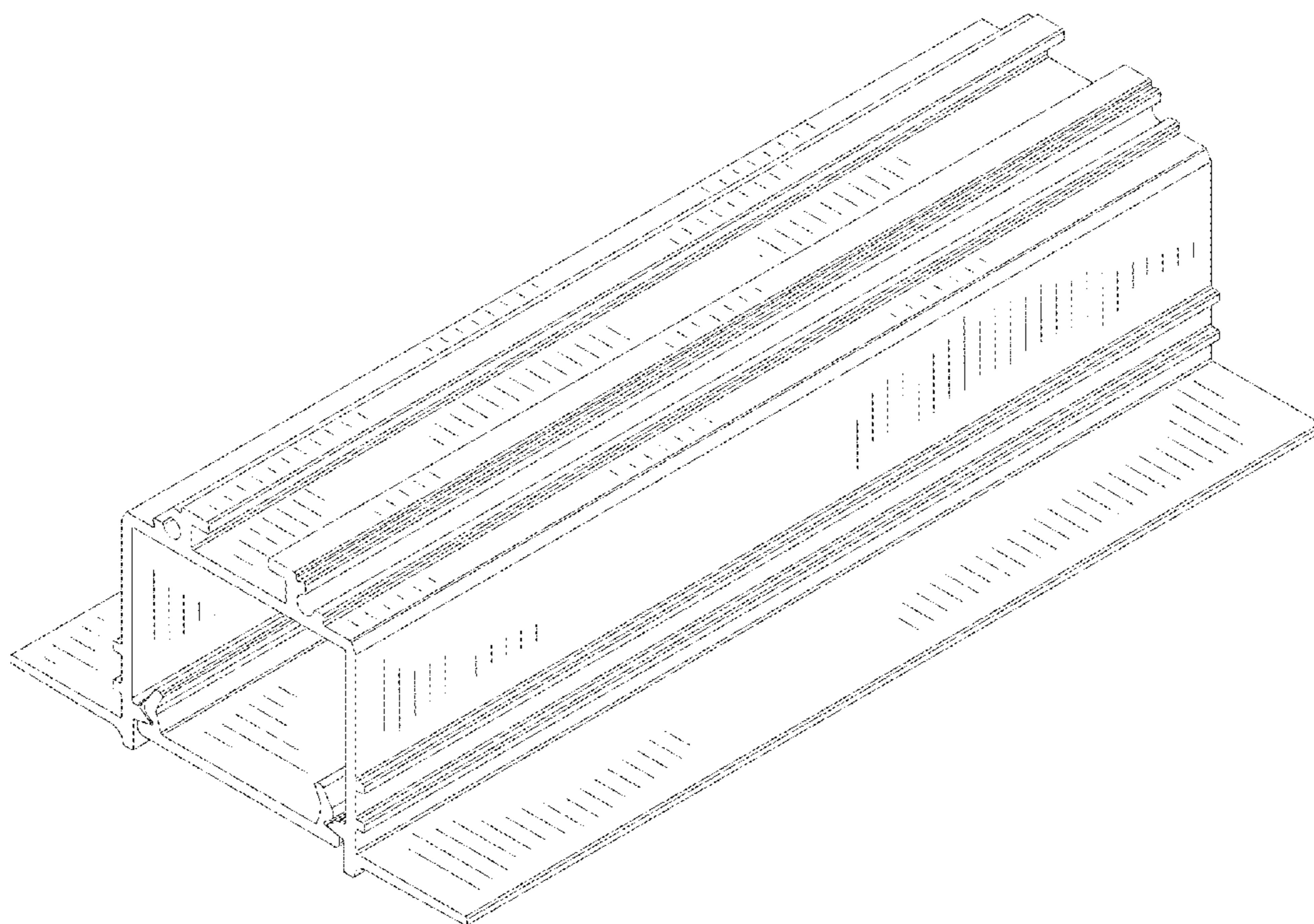
(57) **CLAIM**

The ornamental design for a housing for a LED-based lighting apparatus, as shown and described.

**DESCRIPTION**

FIG. 1 is a front, a left side perspective view of a housing for a LED-based lighting apparatus showing my new design; FIG. 2 is a front elevational view thereof; FIG. 3 is a top plan view thereof; FIG. 4 is a bottom plan view thereof; and, FIG. 5 is a left side elevational view thereof, the right side being a mirror image.

**1 Claim, 5 Drawing Sheets**



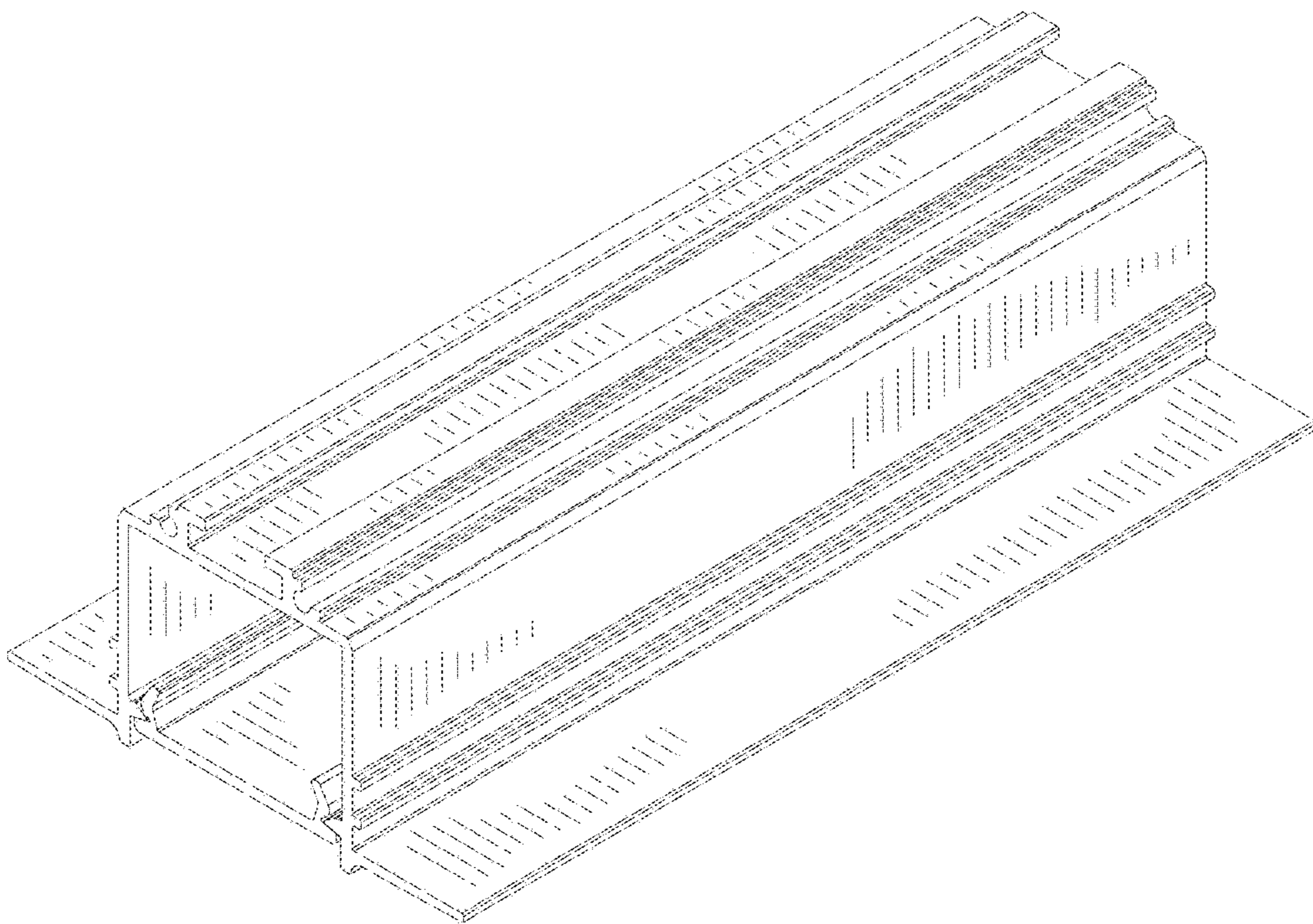


FIG. 1

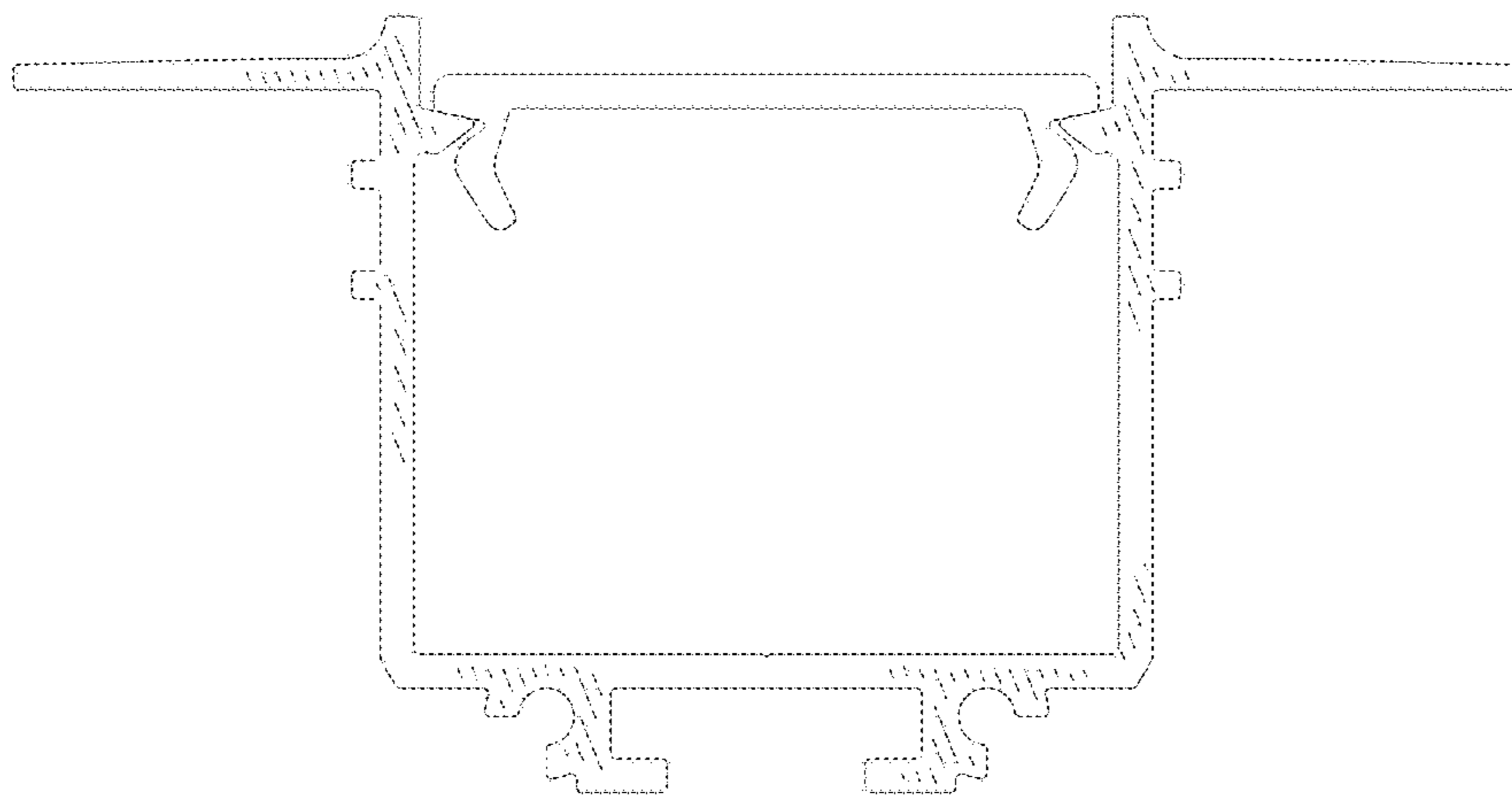


FIG. 2

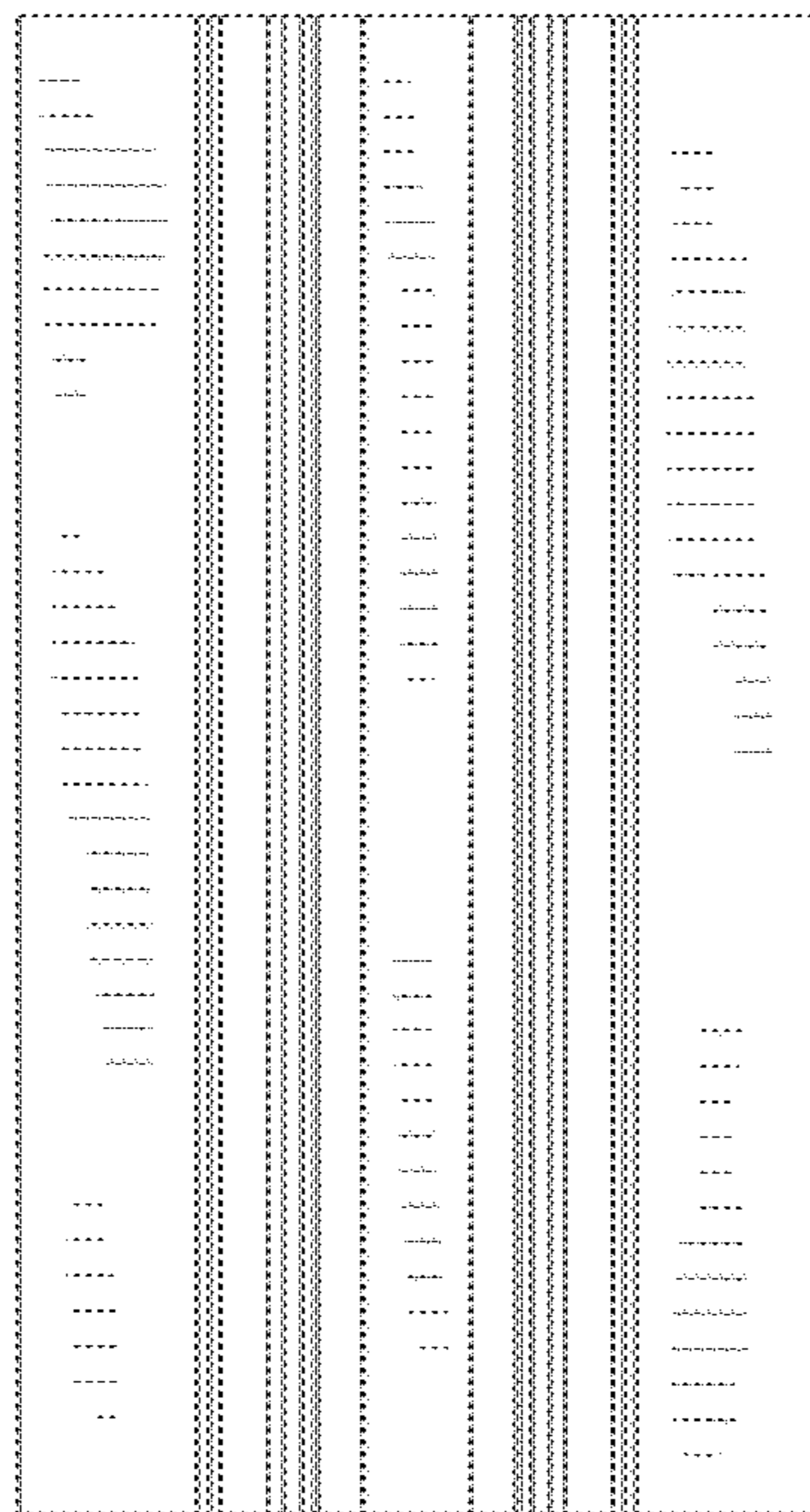


FIG. 3

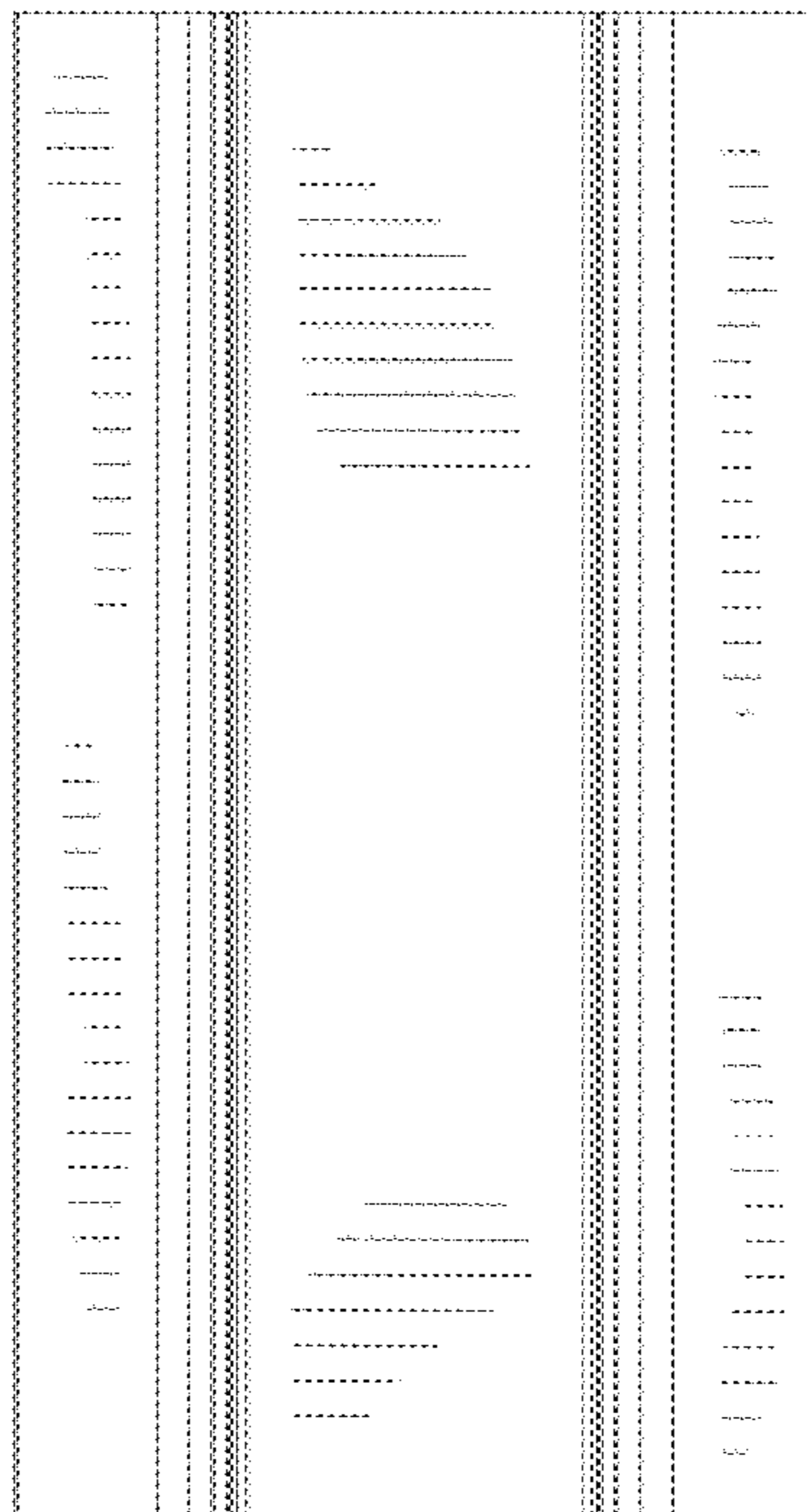


FIG. 4

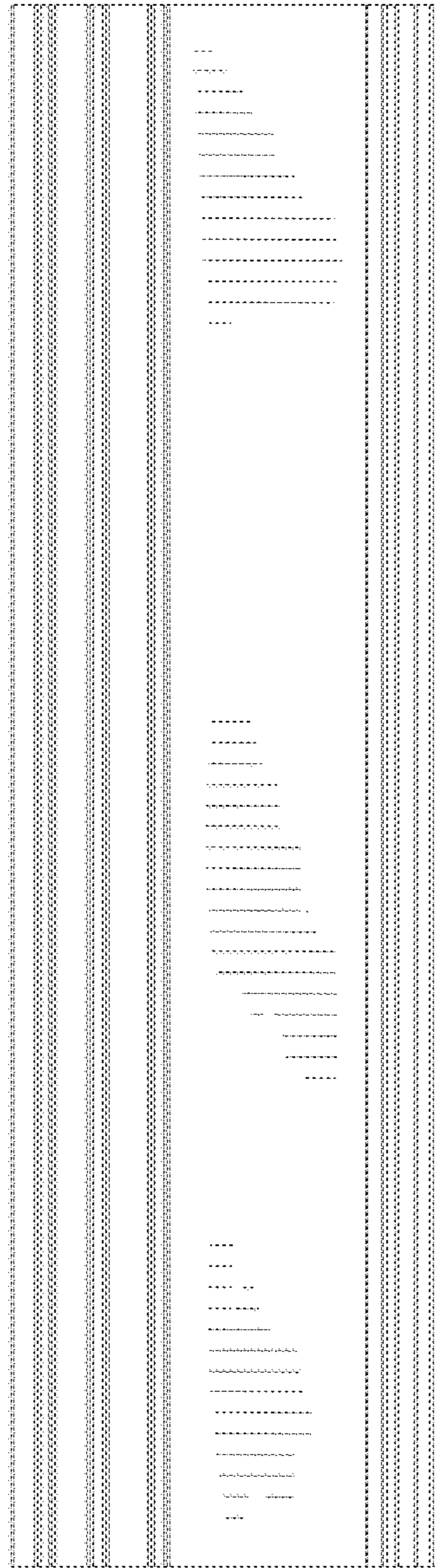


FIG. 5