



US00D869074S

(12) **United States Design Patent** (10) **Patent No.:** **US D869,074 S**
Trzcielinski (45) **Date of Patent:** **** Dec. 3, 2019**

(54) **HOUSING FOR LED-BASED LIGHTING APPARATUS**

(71) Applicant: **LED Labs sp. z o.o.**, Kraków (PL)

(72) Inventor: **Grzegorz Trzcielinski**, Kraków (PL)

(73) Assignee: **LED LABS Sp. z o.o.**, Cracow (PL)

(**) Term: **15 Years**

(21) Appl. No.: **29/661,252**

(22) Filed: **Aug. 26, 2018**

(51) **LOC (12) Cl.** **26-05**

(52) **U.S. Cl.**
USPC **D26/138**

(58) **Field of Classification Search**
USPC D26/1, 24, 26-28, 37-50, 35, 36, 61, 62,
D26/63, 64, 65, 66, 71, 72, 73, 74, 75,
D26/87, 89, 76, 78, 79, 80, 81, 82, 83,
D26/85, 86, 88, 90, 113, 118, 119, 120,
D26/121

CPC F21S 2/00; F21S 4/00; F21S 4/003; F21S
4/005; F21S 4/006; F21S 6/00; F21S
8/00; F21S 8/024

See application file for complete search history.

(56) **References Cited**

U.S. PATENT DOCUMENTS

D652,569 S * 1/2012 Trzesniowski D26/138
D777,886 S * 1/2017 Johansen D23/261

D782,106 S * 3/2017 Porciatti D26/138
D807,571 S * 1/2018 Klus D26/138
D818,191 S * 5/2018 Trzesniowski D26/138
D818,194 S * 5/2018 Trzesniowski D26/138
D834,238 S * 11/2018 Porciatti D26/138
D834,239 S * 11/2018 Porciatti D26/138
10,125,497 B2 * 11/2018 Givens E04D 13/1478
10,145,536 B1 * 12/2018 Porciatti F21V 7/0008
10,222,049 B2 * 3/2019 Porciatti E04B 9/064
2006/0191101 A1 * 8/2006 Elmer E05D 15/063
16/91
2009/0207602 A1 * 8/2009 Reed F21S 2/005
362/225

* cited by examiner

Primary Examiner — Mark A Goodwin

Assistant Examiner — Benjamin M Weeks

(74) *Attorney, Agent, or Firm* — Andrew Malarz, Esq.

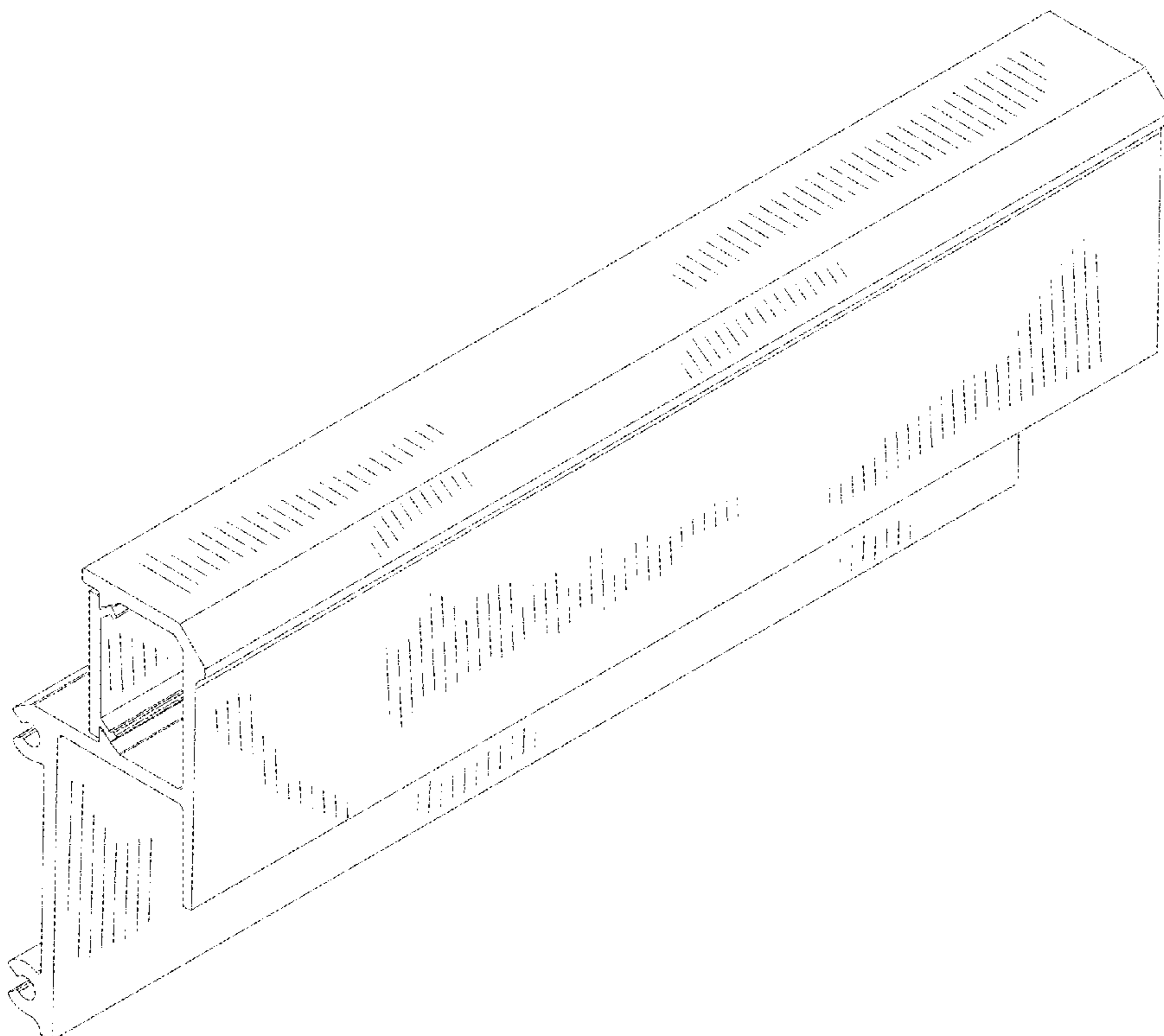
(57) **CLAIM**

The ornamental design for a housing for a LED-based lighting apparatus, as shown and described.

DESCRIPTION

FIG. 1 is a front, a left side perspective view of a housing for a LED-based lighting apparatus showing my new design; FIG. 2 is a front elevational view thereof; FIG. 3 is a bottom plan view thereof; FIG. 4 is a top plan view thereof; and, FIG. 5 is a left side elevational view thereof.

1 Claim, 5 Drawing Sheets



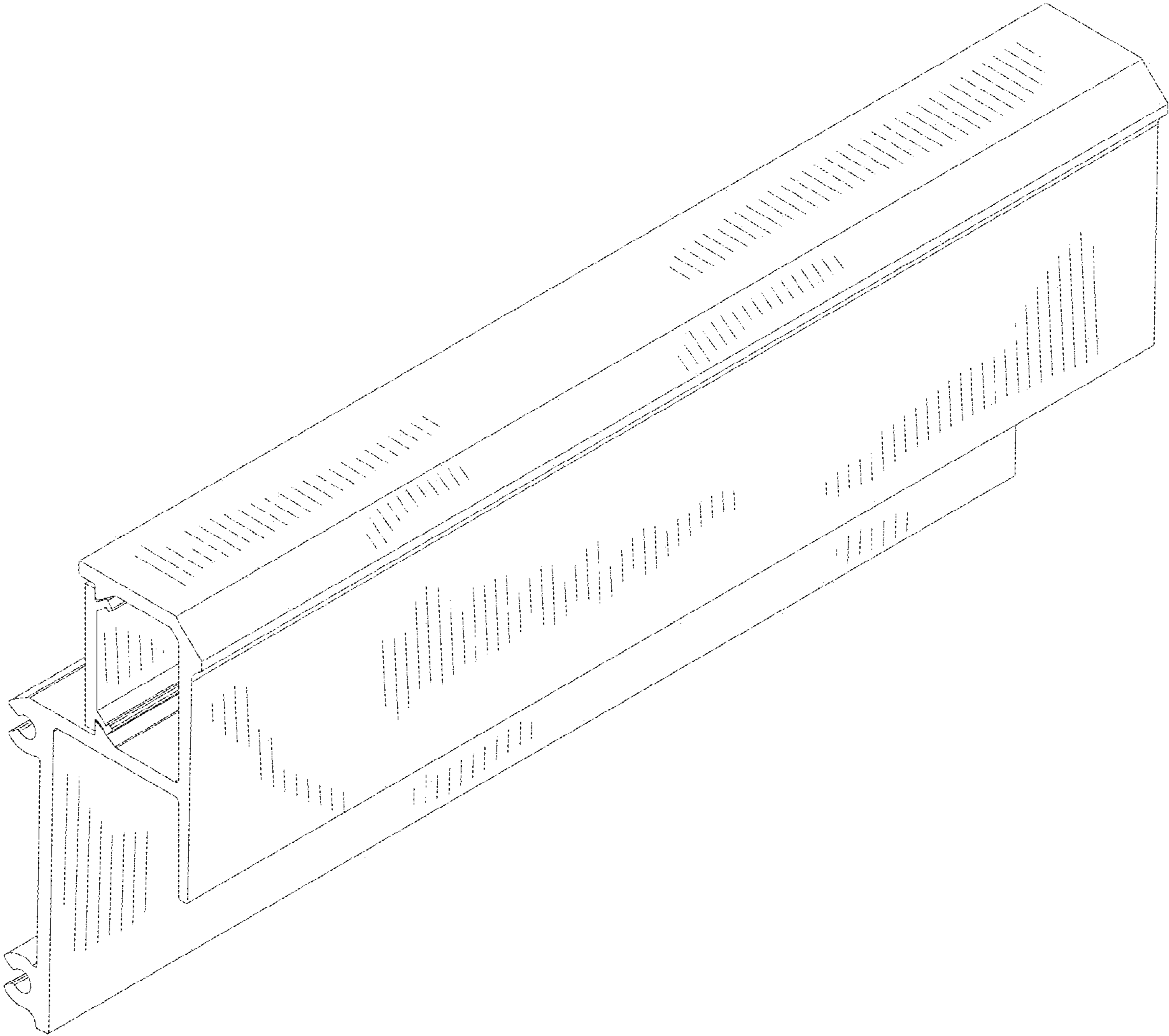


FIG. 1

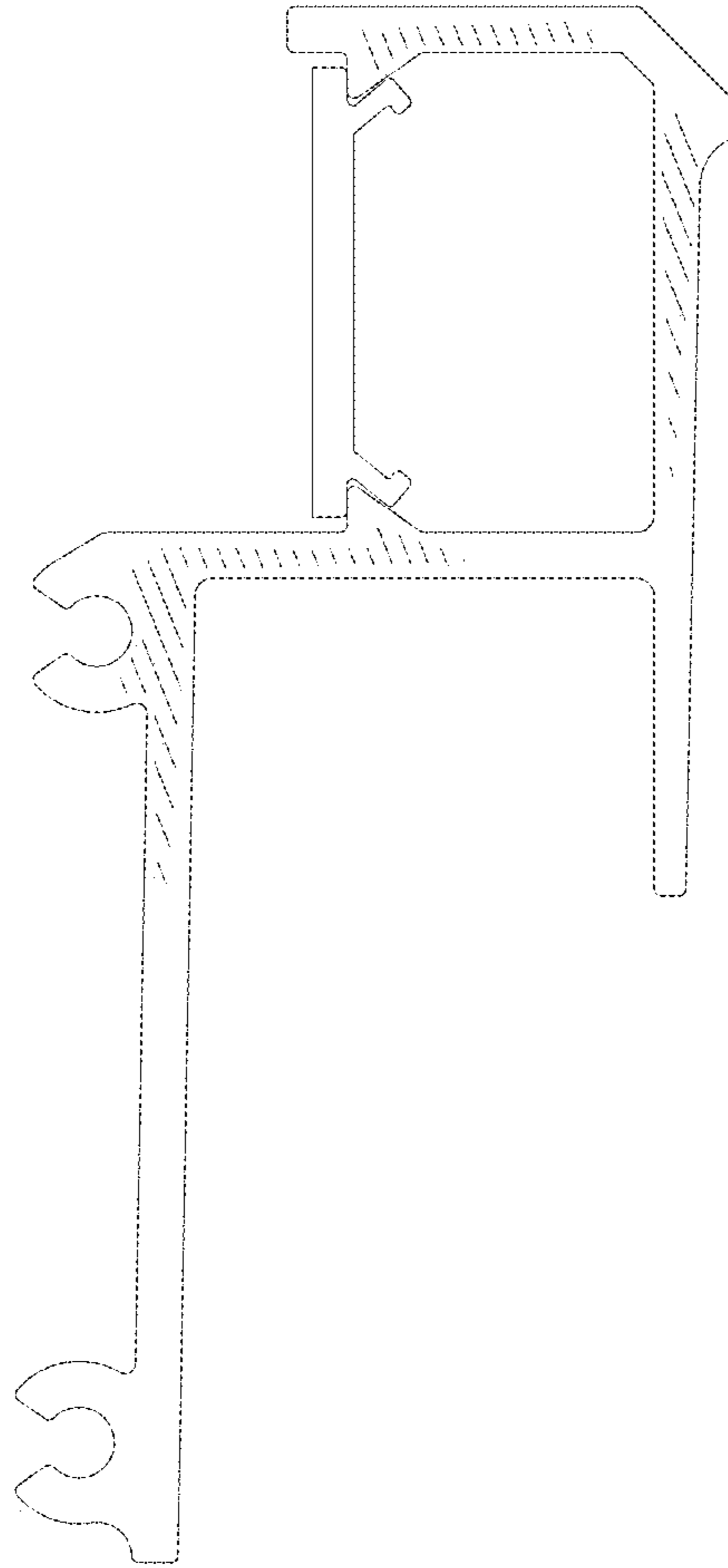


FIG. 2

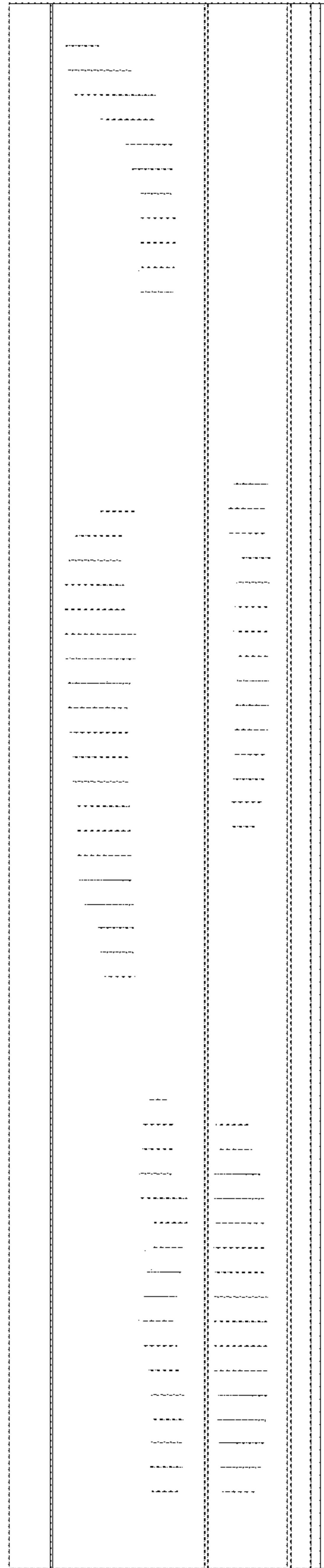


FIG. 3

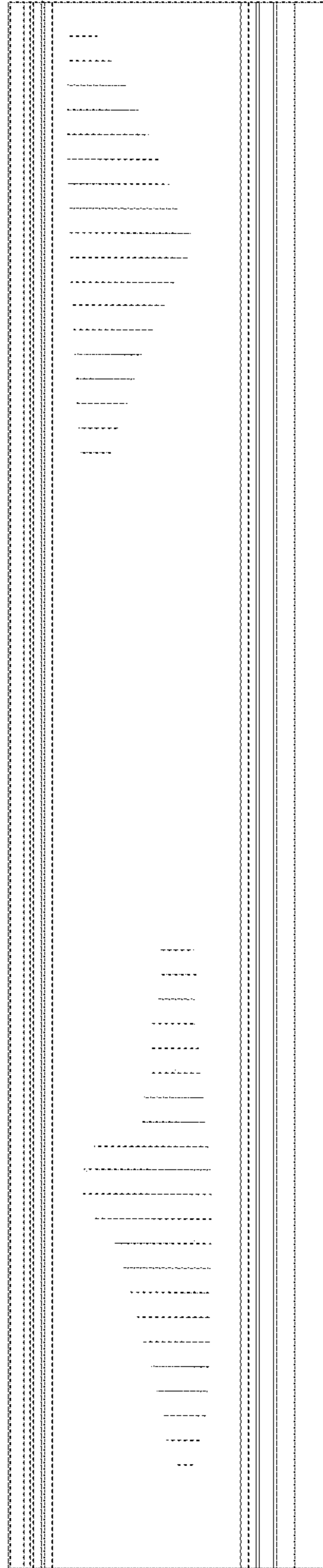


FIG. 4

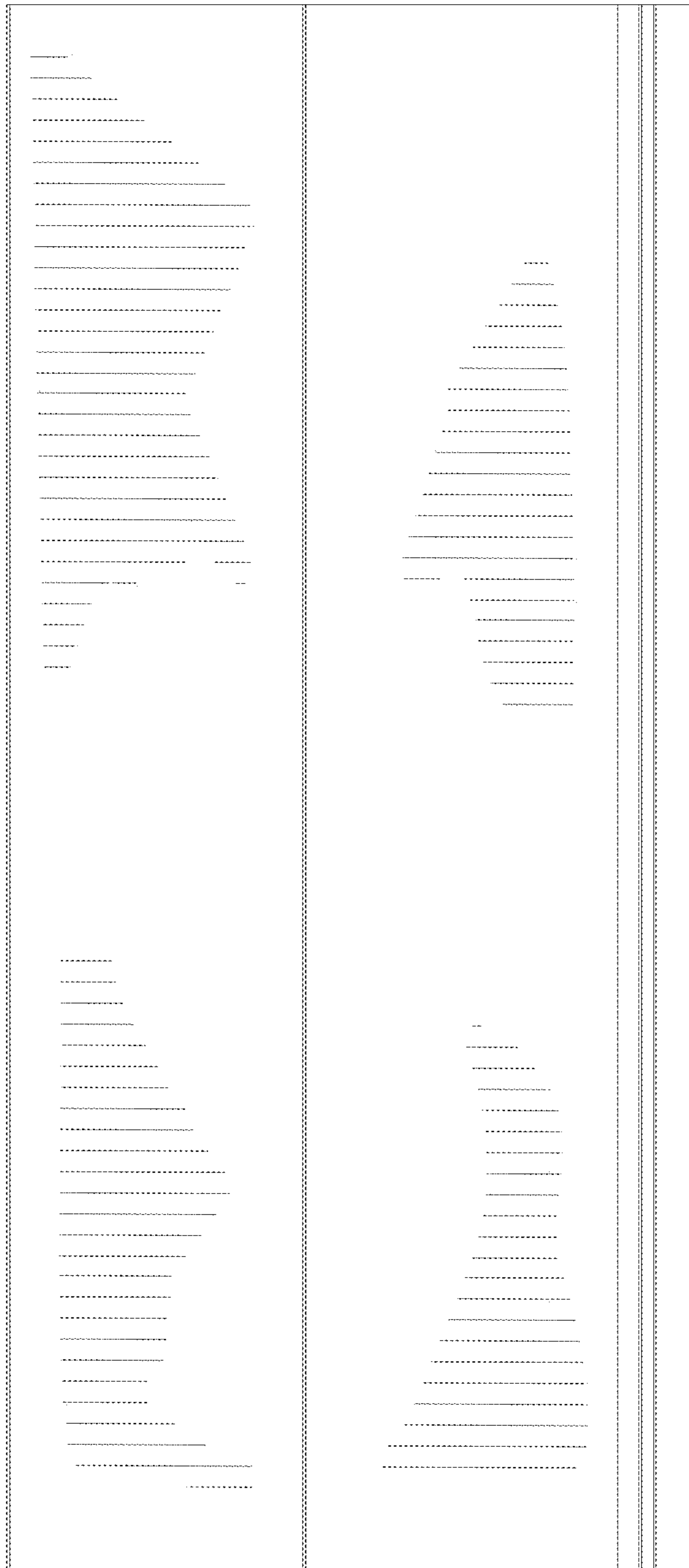


FIG. 5