



US00D869073S

(12) **United States Design Patent** (10) **Patent No.:** **US D869,073 S**  
**Trzcielinski** (45) **Date of Patent:** **\*\* Dec. 3, 2019**

(54) **HOUSING FOR A LED-BASED LIGHTING APPARATUS**

(71) Applicant: **LED Labs sp. z o.o.**, Kraków (PL)

(72) Inventor: **Grzegorz Trzcielinski**, Kraków (PL)

(73) Assignee: **LED LABS Sp. z o.o.** (PL)

(\*\*) Term: **15 Years**

(21) Appl. No.: **29/661,249**

(22) Filed: **Aug. 26, 2018**

(51) **LOC (12) Cl.** ..... **26-05**

(52) **U.S. Cl.**  
USPC ..... **D26/138**

(58) **Field of Classification Search**  
USPC .... D26/1, 24, 26–28, 37–50, 35, 36, 61, 62,  
D26/63, 64, 65, 66, 71, 72, 73, 74, 75,  
D26/87, 89, 76, 78, 79, 80, 81, 82, 83,  
D26/85, 86, 88, 90, 113, 118, 119, 120,  
D26/121

CPC ..... F21S 2/00; F21S 4/00; F21S 4/003; F21S  
4/005; F21S 4/006; F21S 6/00; F21S  
8/00; F21S 8/024

See application file for complete search history.

(56) **References Cited**

**U.S. PATENT DOCUMENTS**

D649,683 S \* 11/2011 Trzesniowski ..... D26/138  
D652,568 S \* 1/2012 Trzesniowski ..... D26/138

D665,123 S \* 8/2012 Douglas ..... D26/138  
D695,955 S \* 12/2013 Klus ..... D26/138  
D705,983 S \* 5/2014 Klus ..... D26/138  
D782,106 S \* 3/2017 Porciatti ..... D26/138  
D793,617 S \* 8/2017 Trzcielinski ..... D26/118  
D799,065 S \* 10/2017 Tremaine ..... D25/119  
D807,572 S \* 1/2018 Klus ..... D26/138  
D818,194 S \* 5/2018 Trzesniowski ..... D26/138

\* cited by examiner

*Primary Examiner* — Mark A Goodwin

*Assistant Examiner* — Benjamin M Weeks

(74) *Attorney, Agent, or Firm* — Andrew Malarz, Esq.

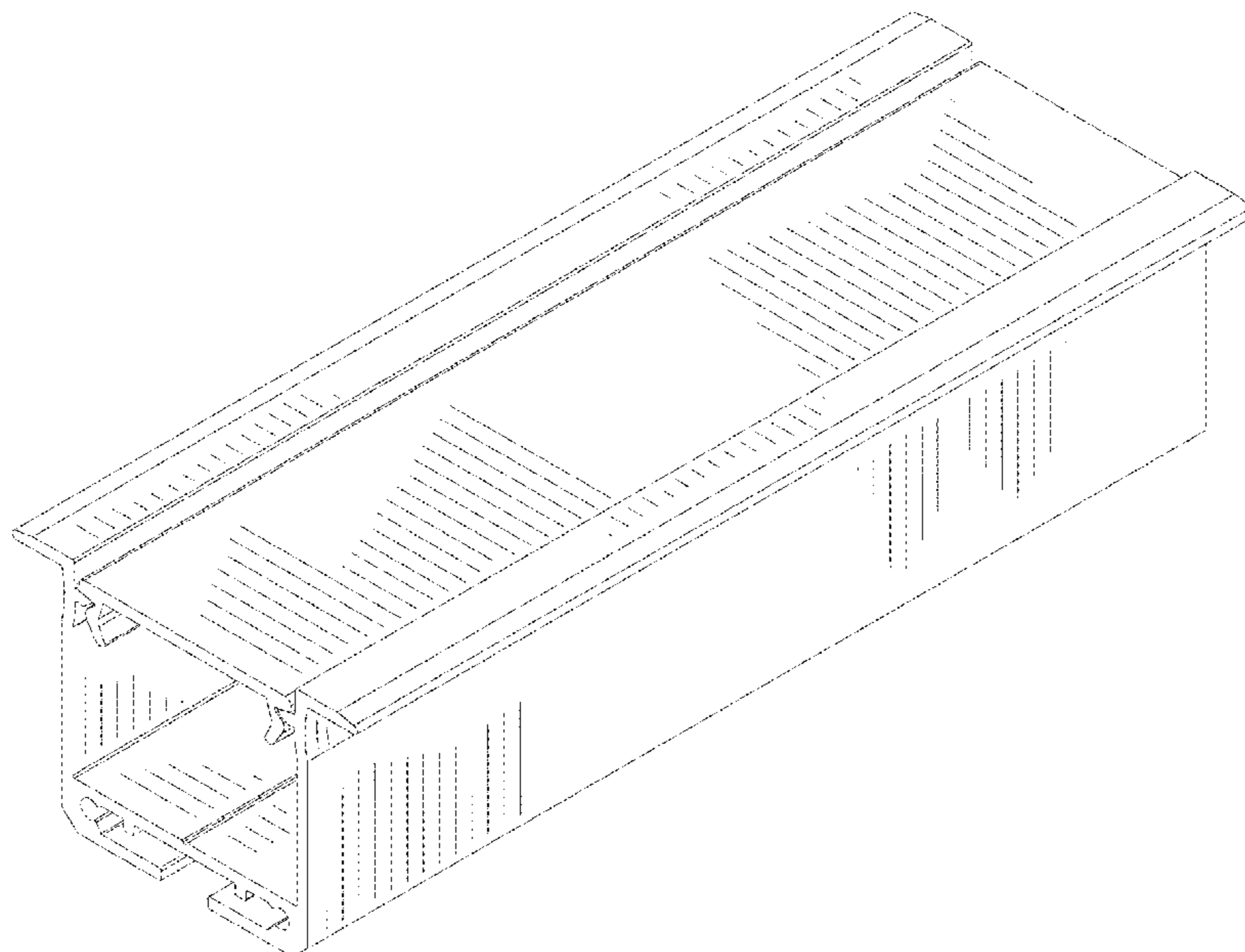
(57) **CLAIM**

The ornamental design for a housing for a LED-based lighting apparatus, as shown and described.

**DESCRIPTION**

FIG. 1 is a front, a left side perspective view of a housing for a LED-based lighting apparatus showing my new design; FIG. 2 is a front elevational view thereof; FIG. 3 is a top plan view thereof; FIG. 4 is a bottom plan view thereof; and, FIG. 5 is a right side elevational view thereof, the left side being a mirror image.

**1 Claim, 5 Drawing Sheets**



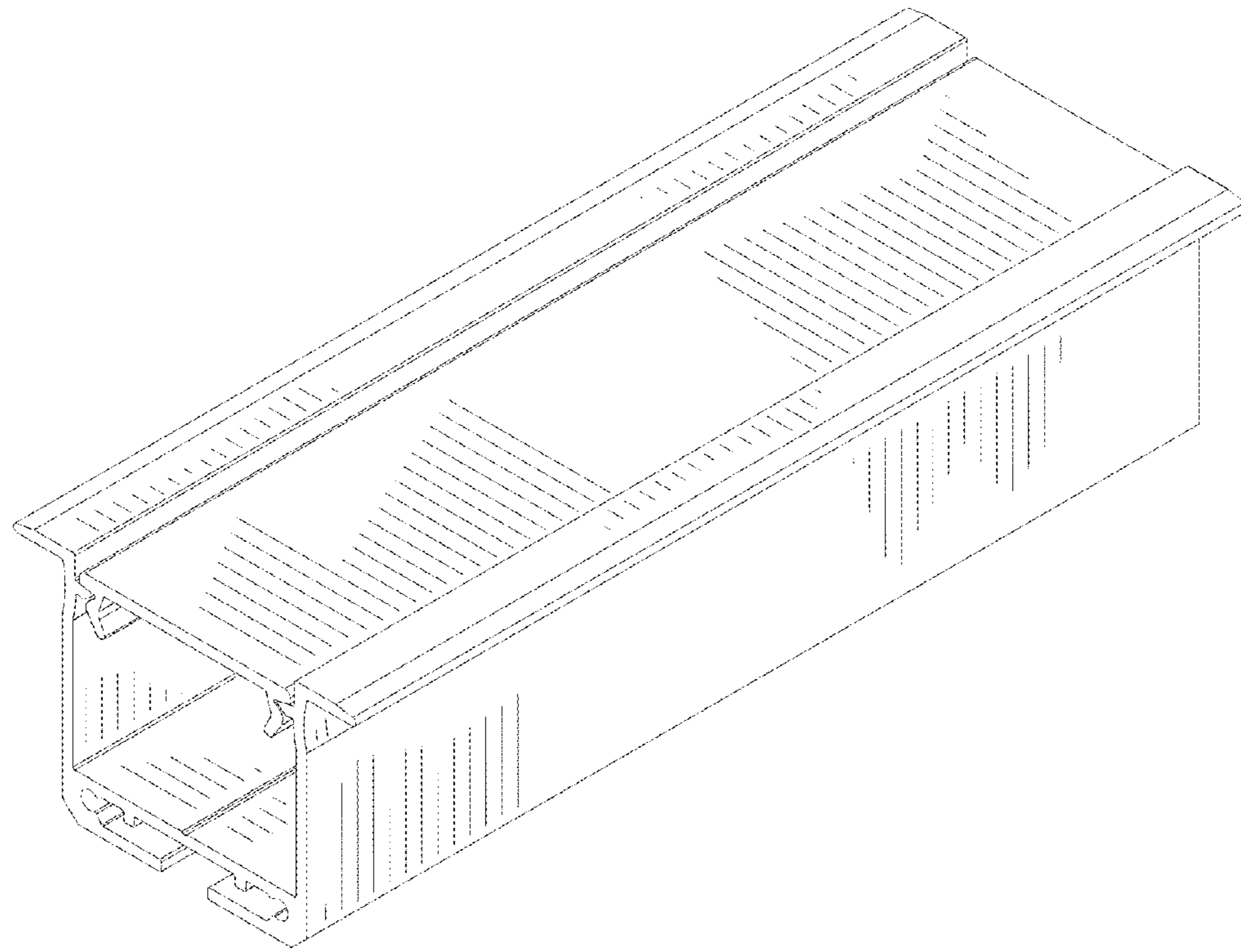


FIG. 1

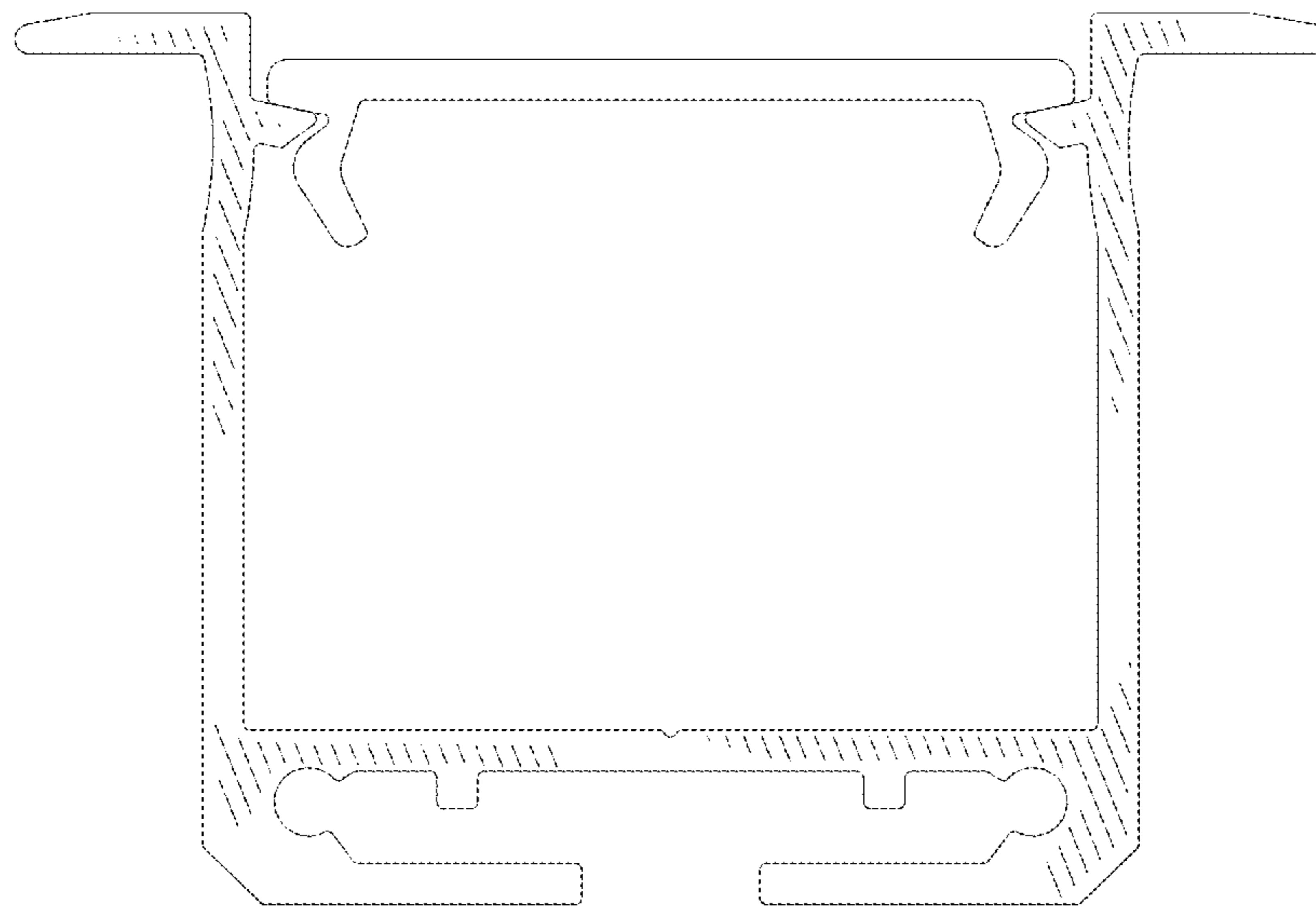


FIG. 2

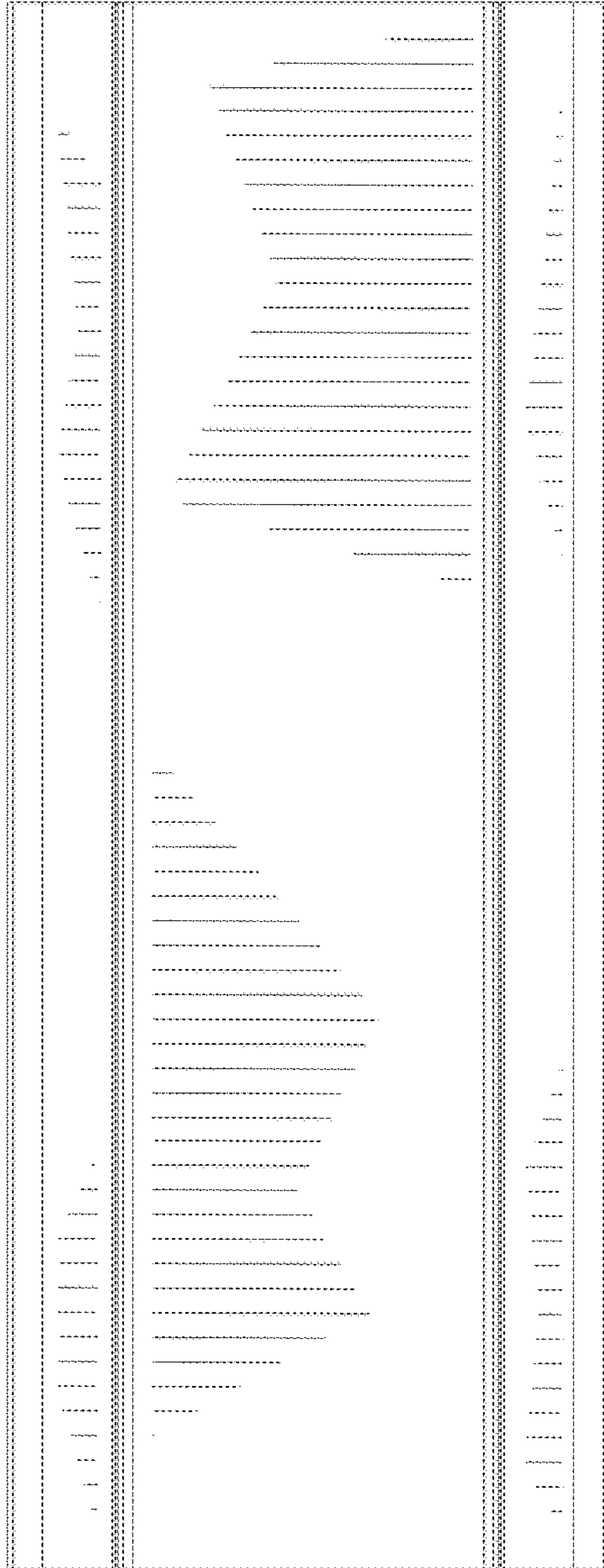


FIG. 3

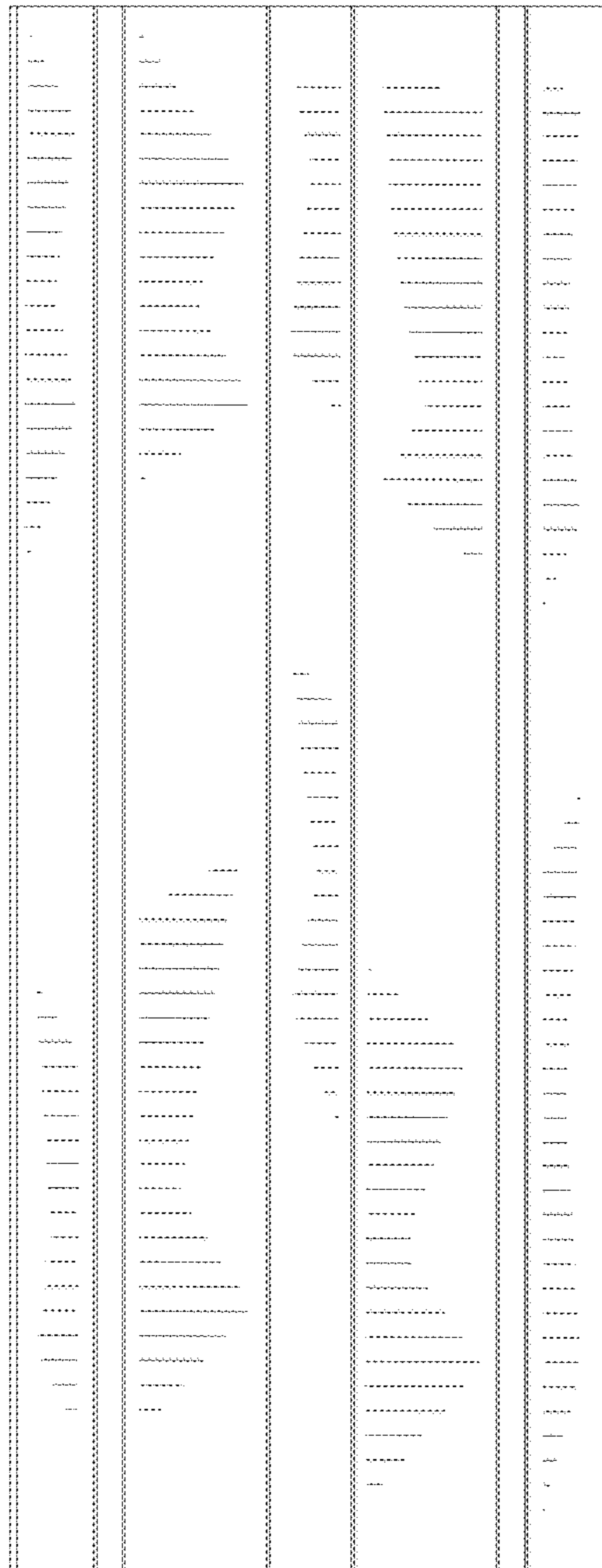


FIG. 4

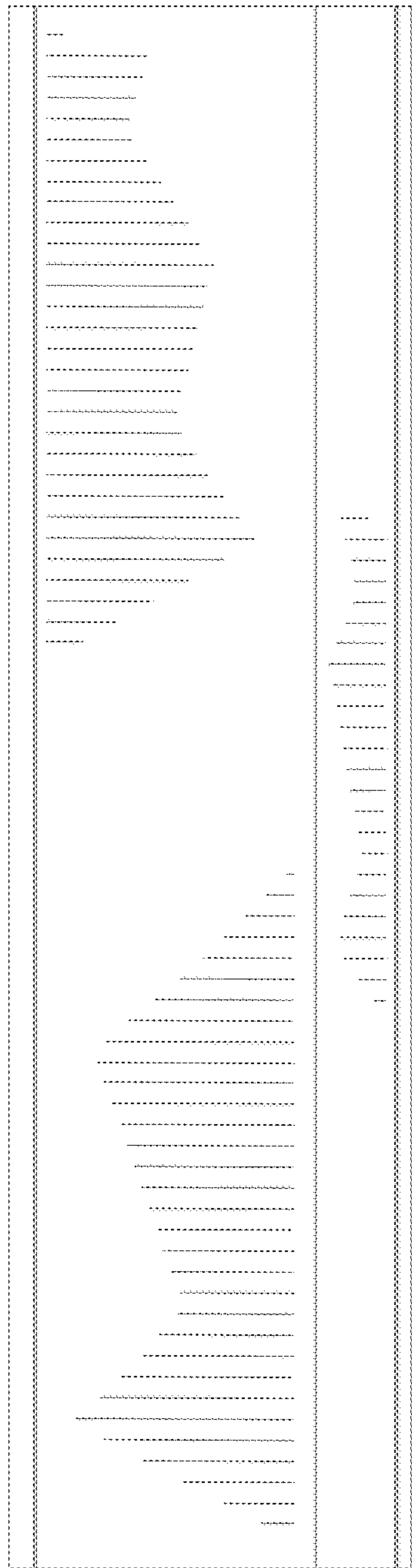


FIG. 5