



US00D869071S

(12) **United States Design Patent** (10) **Patent No.:** **US D869,071 S**
Trzeciński (45) **Date of Patent:** **** Dec. 3, 2019**

(54) **HOUSING A LED-BASED LIGHTING APPARATUS**

(71) Applicant: **LED Labs sp. z o.o.**, Kraków (PL)

(72) Inventor: **Grzegorz Trzeciński**, Kraków (PL)

(73) Assignee: **LED LABS Sp. z o.o.**, Cracow (PL)

(**) Term: **15 Years**

(21) Appl. No.: **29/661,236**

(22) Filed: **Aug. 25, 2018**

(51) **LOC (12) Cl.** **26-05**

(52) **U.S. Cl.**
USPC **D26/138**

(58) **Field of Classification Search**
USPC D26/1, 24, 26–28, 37–50, 35, 36, 61, 62, D26/63, 64, 65, 66, 71, 72, 73, 74, 75, D26/87, 89, 76, 78, 79, 80, 81, 82, 83, D26/85, 86, 88, 90, 113, 118, 119, 120, D26/121

CPC F21S 2/00; F21S 4/00; F21S 4/003; F21S 4/005; F21S 4/006; F21S 6/00; F21S 8/00; F21S 8/024

See application file for complete search history.

(56) **References Cited**

U.S. PATENT DOCUMENTS

D623,342 S * 9/2010 Klu D26/138
D623,343 S * 9/2010 Kluś D26/138

D649,683 S * 11/2011 Trzesniowski D26/138
D652,568 S * 1/2012 Trzesniowski D26/138
D665,123 S * 8/2012 Douglas D26/138
D693,051 S * 11/2013 Klu D26/138
D695,955 S * 12/2013 Klus D26/138
D705,983 S * 5/2014 Klus D26/138
D731,700 S * 6/2015 Santoro D26/118
D793,617 S * 8/2017 Trzielinski D26/118
D799,065 S * 10/2017 Tremaine D25/119
D818,194 S * 5/2018 Trzesniowski D26/138
D823,496 S * 7/2018 Farnsworth D26/24
2003/0103347 A1* 6/2003 Friend F21V 21/002 362/225

* cited by examiner

Primary Examiner — Mark A Goodwin

Assistant Examiner — Benjamin M Weeks

(74) *Attorney, Agent, or Firm* — Andrew Malarz, Esq.

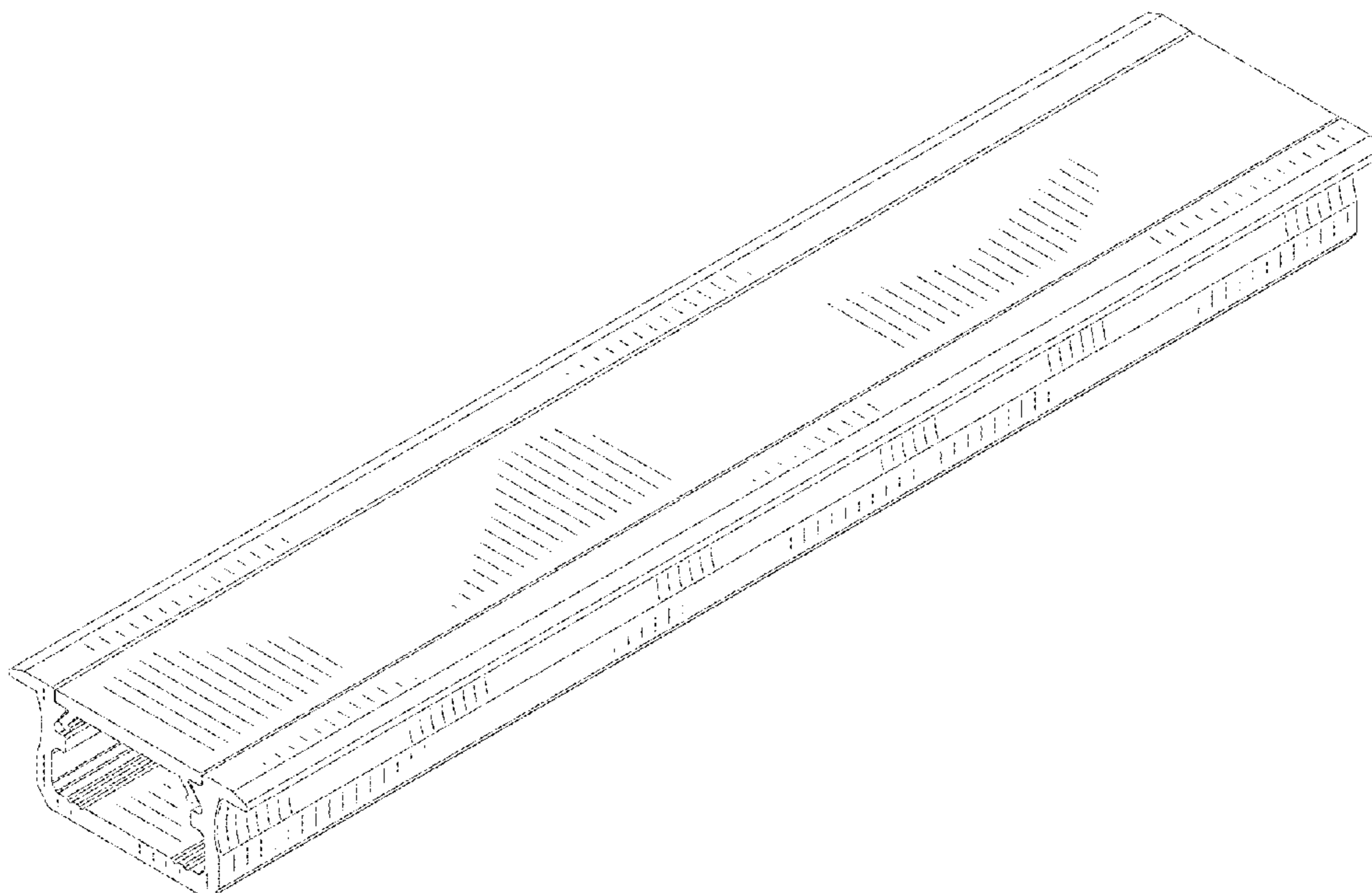
(57) **CLAIM**

The ornamental design for a housing for a LED-based lighting apparatus, as shown and described.

DESCRIPTION

FIG. 1 is a front, a left side perspective view of a housing for a LED-based lighting apparatus showing my new design; FIG. 2 is a front elevational view thereof; FIG. 3 is a top plan view thereof; FIG. 4 is a bottom plan view thereof; and, FIG. 5 is a right side elevational view thereof, the left side being a mirror image.

1 Claim, 5 Drawing Sheets



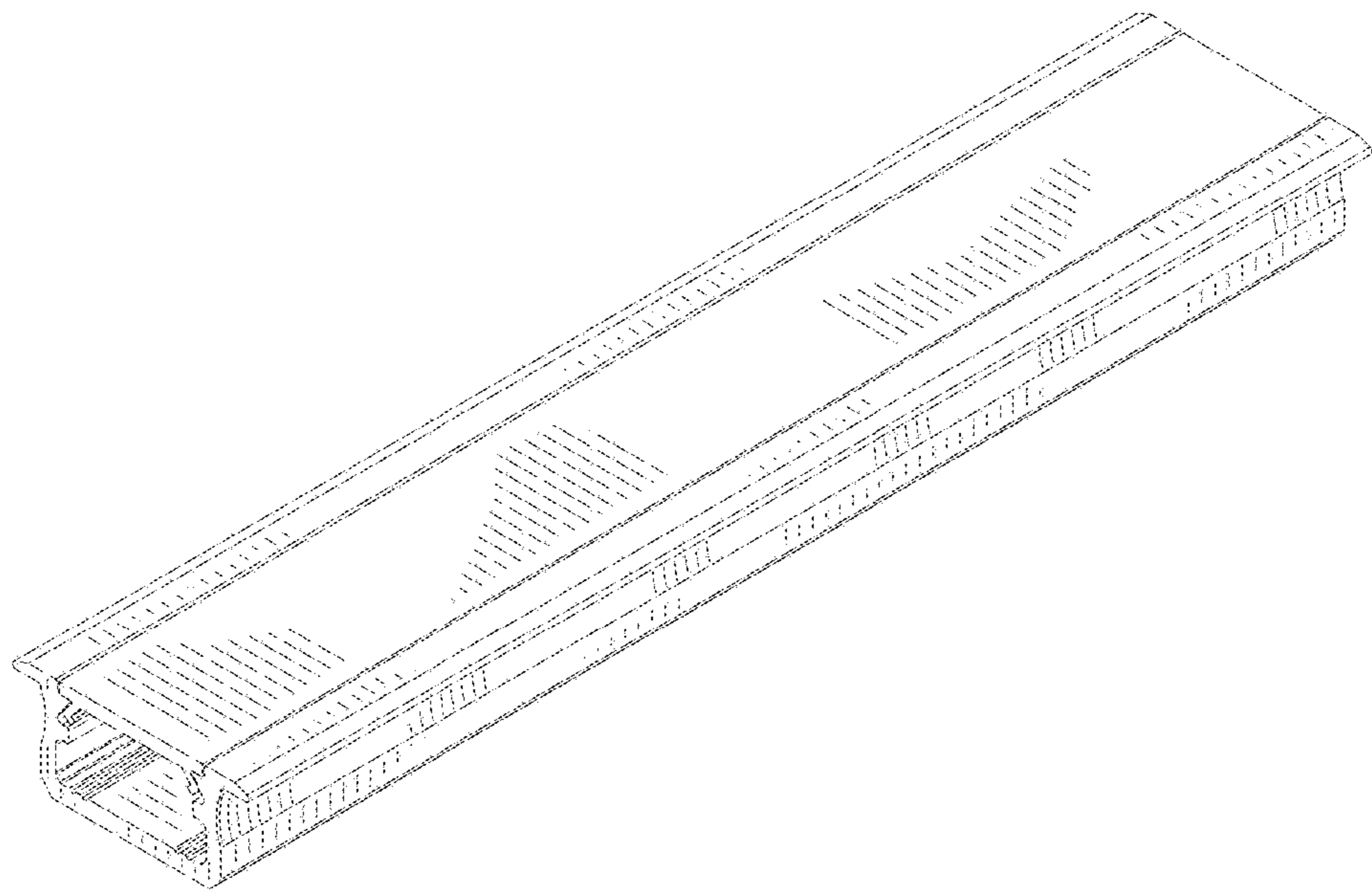


FIG. 1

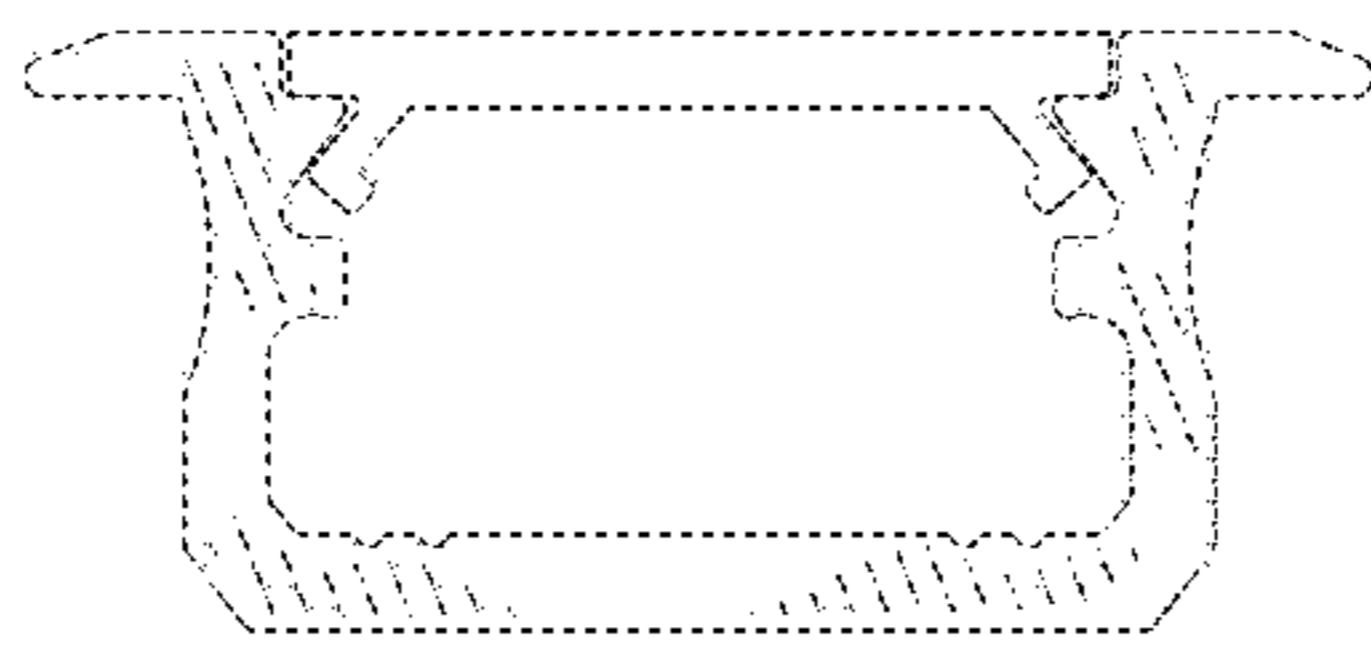


FIG. 2

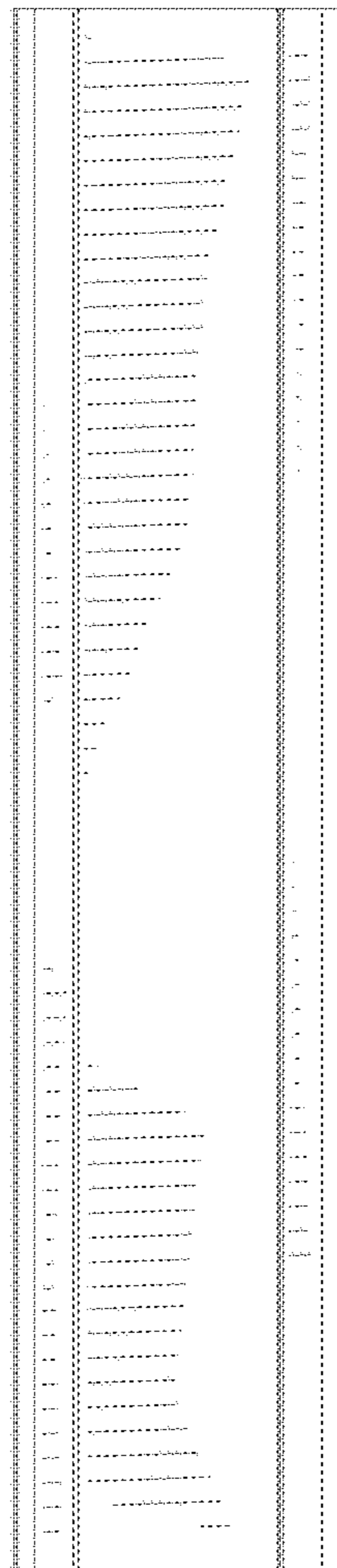


FIG. 3

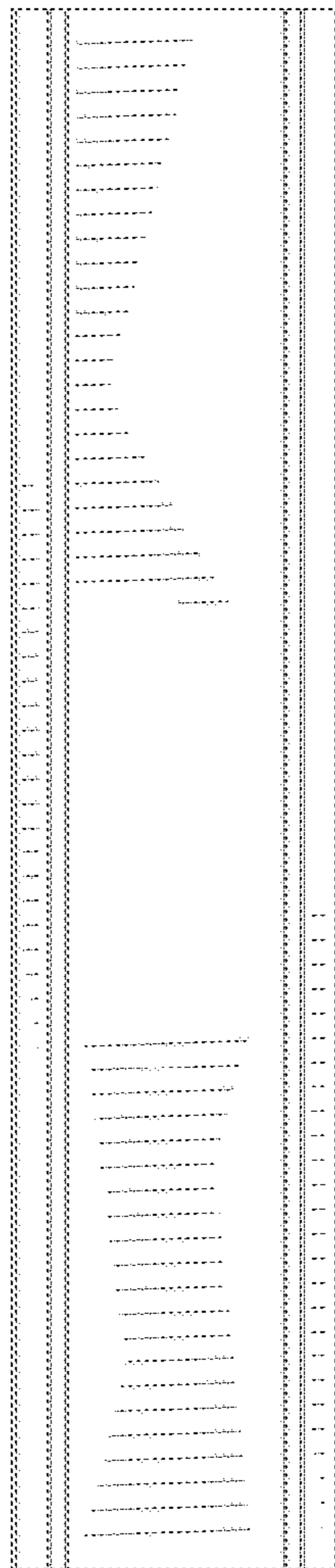


FIG. 4

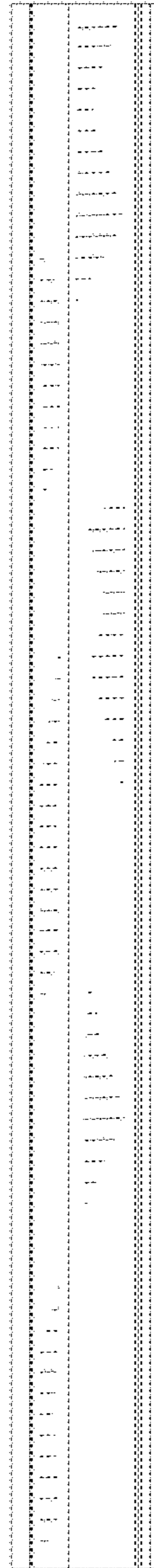


FIG. 5