

US00D869067S

(12) **United States Design Patent** (10) **Patent No.:** **US D869,067 S**  
**Sonneman** (45) **Date of Patent:** **\*\* Dec. 3, 2019**

(54) **LIGHT TRIM**

(71) Applicant: **Contemporary Visions, LLC**,  
Larchmont, NY (US)

(72) Inventor: **Robert A. Sonneman**, Mamaroneck,  
NY (US)

(73) Assignee: **Contemporary Visions, LLC**,  
Larchmont, NY (US)

(\*\*) Term: **15 Years**

(21) Appl. No.: **29/672,386**

(22) Filed: **Dec. 5, 2018**

(51) **LOC (12) Cl.** ..... **26-99**

(52) **U.S. Cl.**  
USPC ..... **D26/128**

(58) **Field of Classification Search**  
USPC ..... D26/51, 63, 76, 78, 79, 80, 81, 82, 83,  
D26/85, 86, 87, 88, 90, 93, 94, 105, 113,  
D26/118, 119, 120, 121, 122, 128, 130,  
D26/131, 137, 138, 139, 140, 141, 142  
CPC ..... F21S 2/00; F21S 6/00; F21S 4/00; F21S  
4/003; F21S 4/005; F21S 4/006; F21S  
4/007; F21S 4/008; F21S 8/00; F21S  
8/024; F21S 8/026; F21S 8/031; F21S  
8/033; F21S 8/035-037; F21S 8/04; F21S  
8/043; F21S 8/063

See application file for complete search history.

(56) **References Cited**

U.S. PATENT DOCUMENTS

D363,362 S \* 10/1995 Davis, Sr. .... D26/131  
D481,157 S \* 10/2003 Fickas ..... D26/128  
D553,791 S \* 10/2007 Bouroullec ..... D26/128  
D731,694 S \* 6/2015 Tomlinson ..... D26/128

D771,303 S \* 11/2016 Ross ..... D26/118  
D803,470 S \* 11/2017 Austin, III ..... D26/118  
D819,259 S \* 5/2018 McTaggart ..... D26/128  
D821,008 S \* 6/2018 Guthrie ..... D26/59  
D828,617 S \* 9/2018 Sonneman ..... D26/118  
D830,620 S \* 10/2018 Sonneman ..... D26/118  
D831,882 S \* 10/2018 Sonneman ..... D26/118  
D835,836 S \* 12/2018 Furman ..... D26/128  
D836,239 S \* 12/2018 Sonneman ..... D26/118

\* cited by examiner

*Primary Examiner* — Brian N. Vinson

(74) *Attorney, Agent, or Firm* — Gottlieb, Rackman &  
Reisman, P.C.

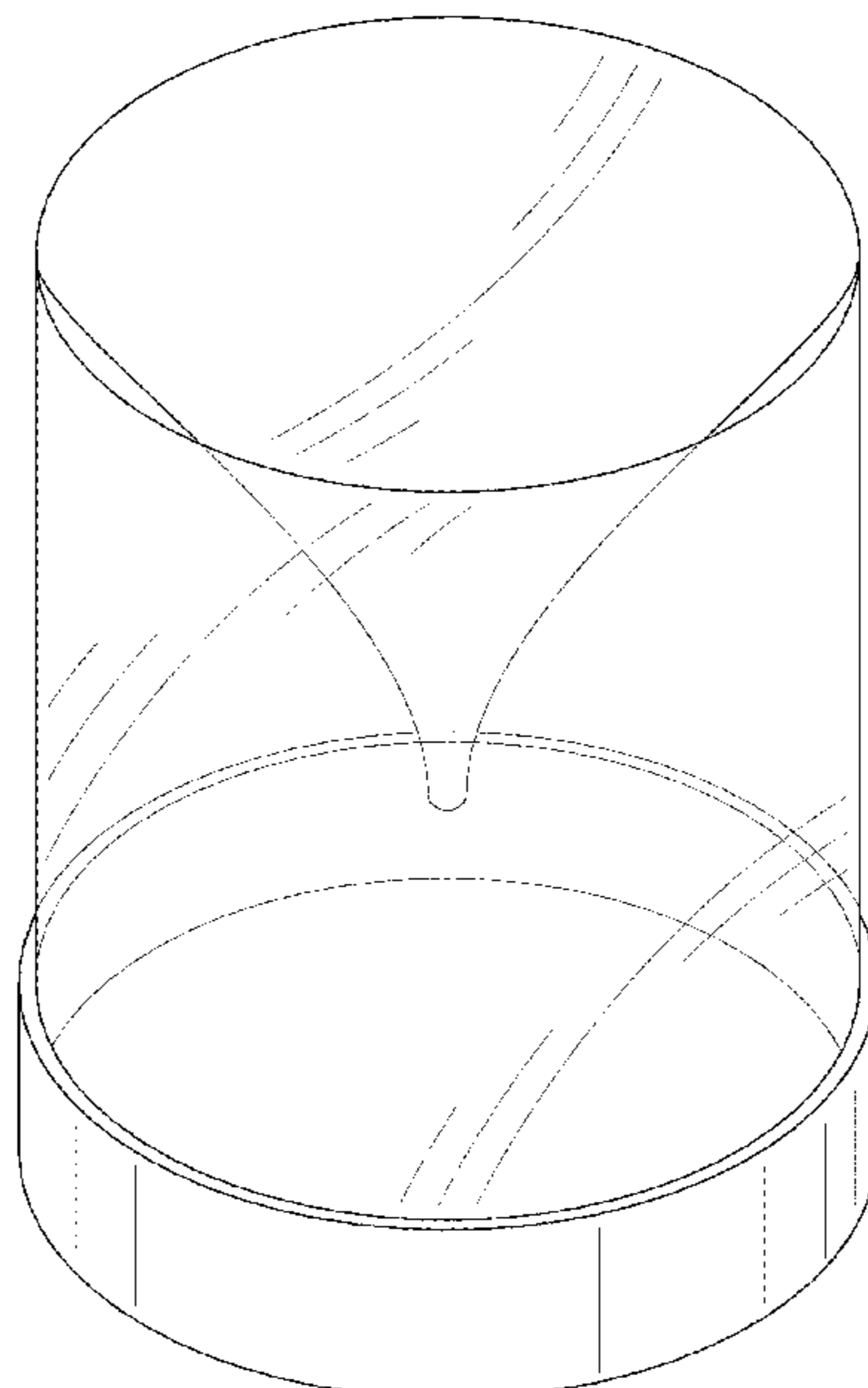
(57) **CLAIM**

The ornamental design for a light trim, as shown and  
described.

**DESCRIPTION**

FIG. 1 is a perspective view of an embodiment of a light trim  
showing my new design;  
FIG. 2 is a first side elevational view of FIG. 1;  
FIG. 3 is a second side elevational view of FIG. 1;  
FIG. 4 is a third side elevational view of FIG. 1;  
FIG. 5 is a fourth side elevational view of FIG. 1;  
FIG. 6 is a top plan view of FIG. 1;  
FIG. 7 is a bottom plan view of FIG. 1;  
FIG. 8 is a perspective view of another embodiment of a  
light trim showing my new design;  
FIG. 9 is a first side elevational view of FIG. 8;  
FIG. 10 is a second side elevational view of FIG. 8;  
FIG. 11 is a third side elevational view of FIG. 8;  
FIG. 12 is a fourth side elevational view of FIG. 8;  
FIG. 13 is a top plan view of FIG. 8; and,  
FIG. 14 is a bottom plan view of FIG. 8.

**1 Claim, 12 Drawing Sheets**



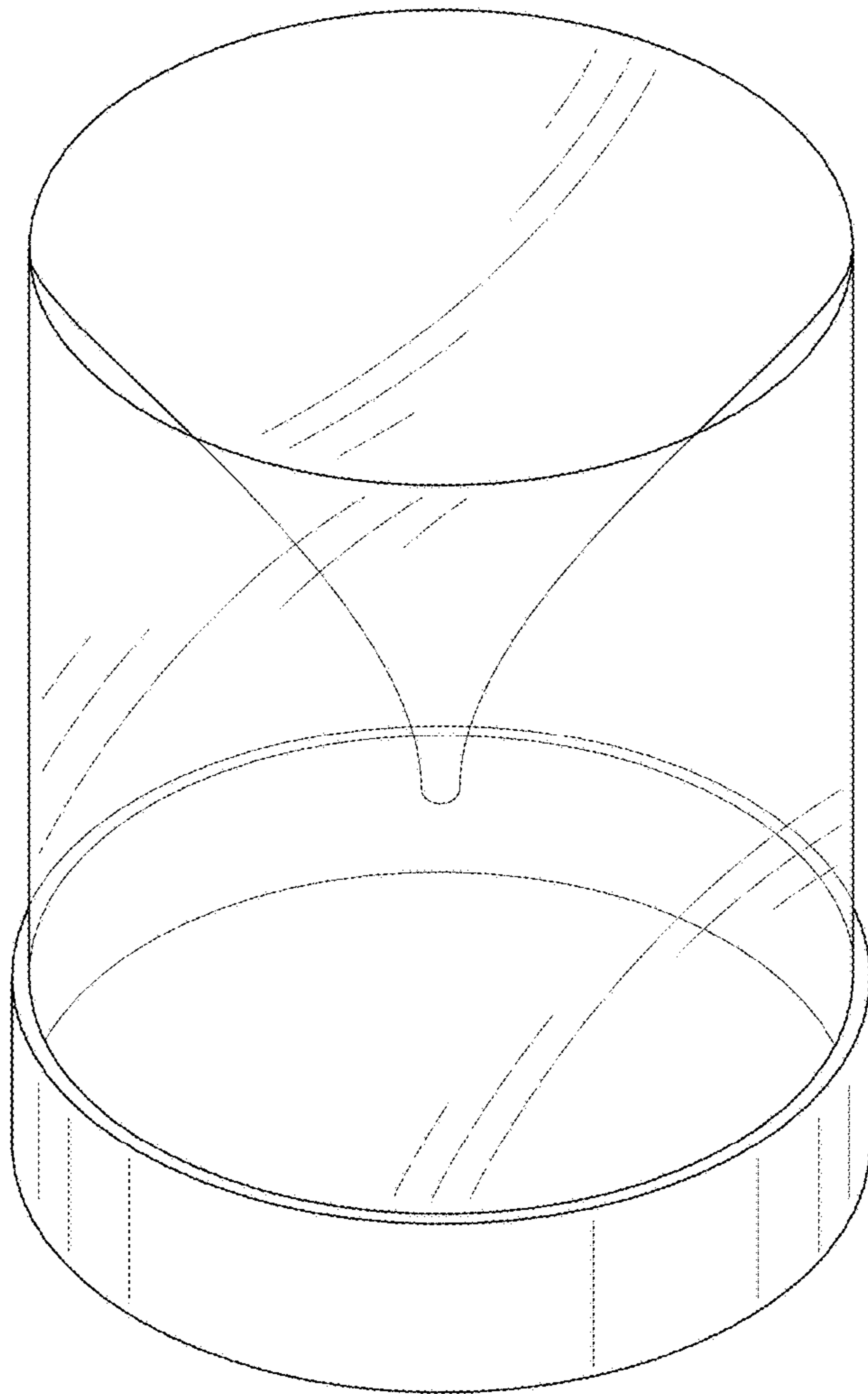


FIG. 1

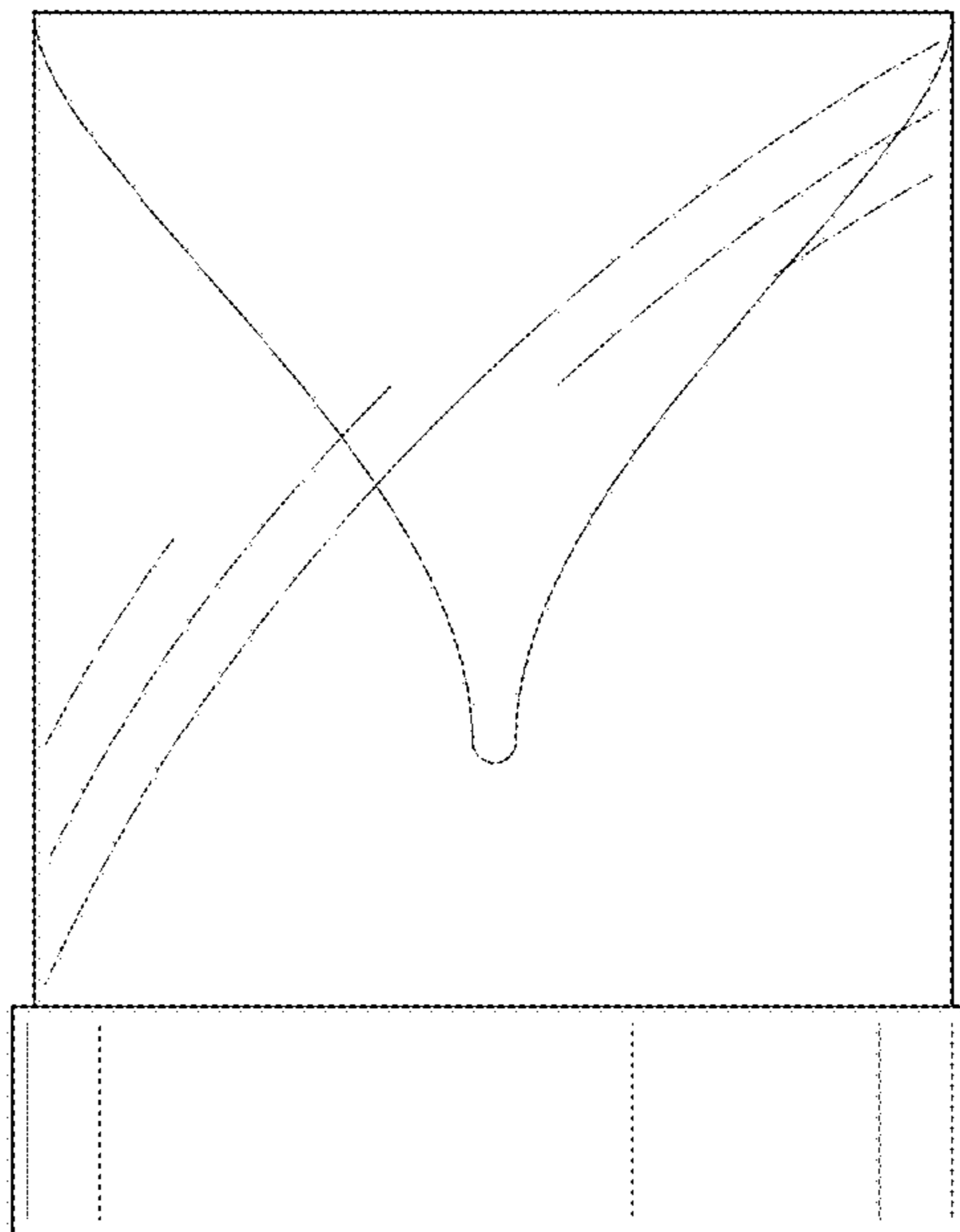


FIG. 2

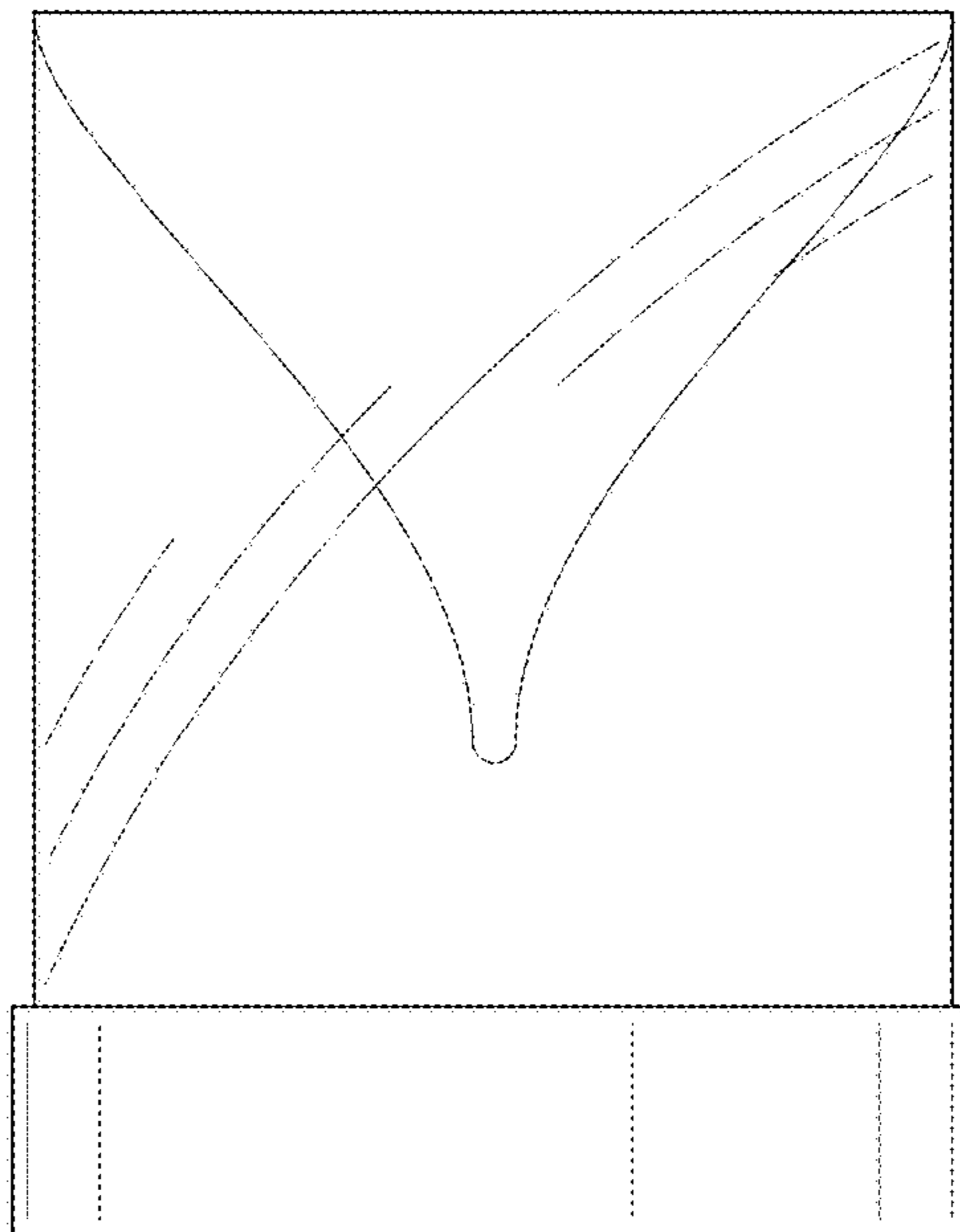


FIG. 3

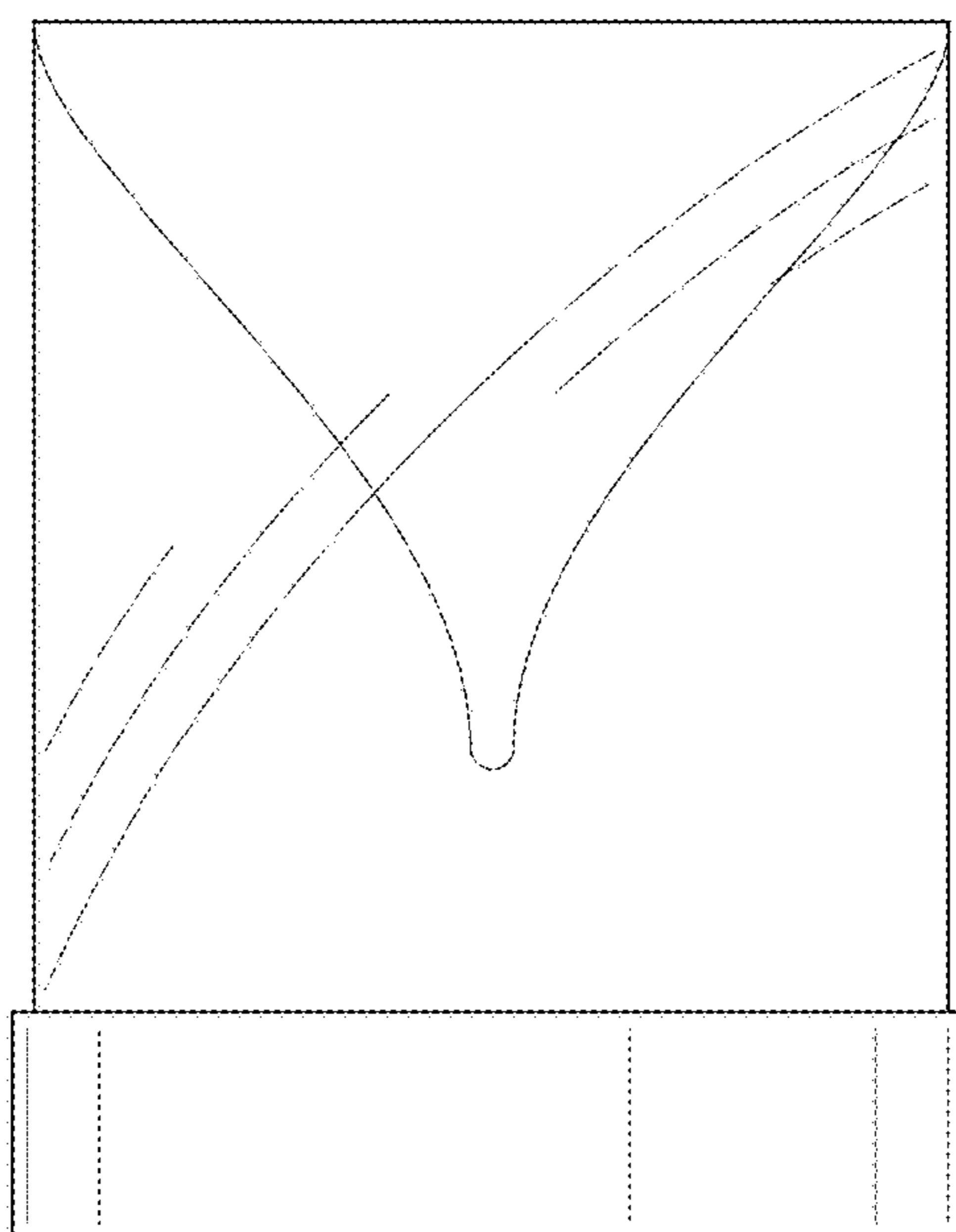


FIG. 4

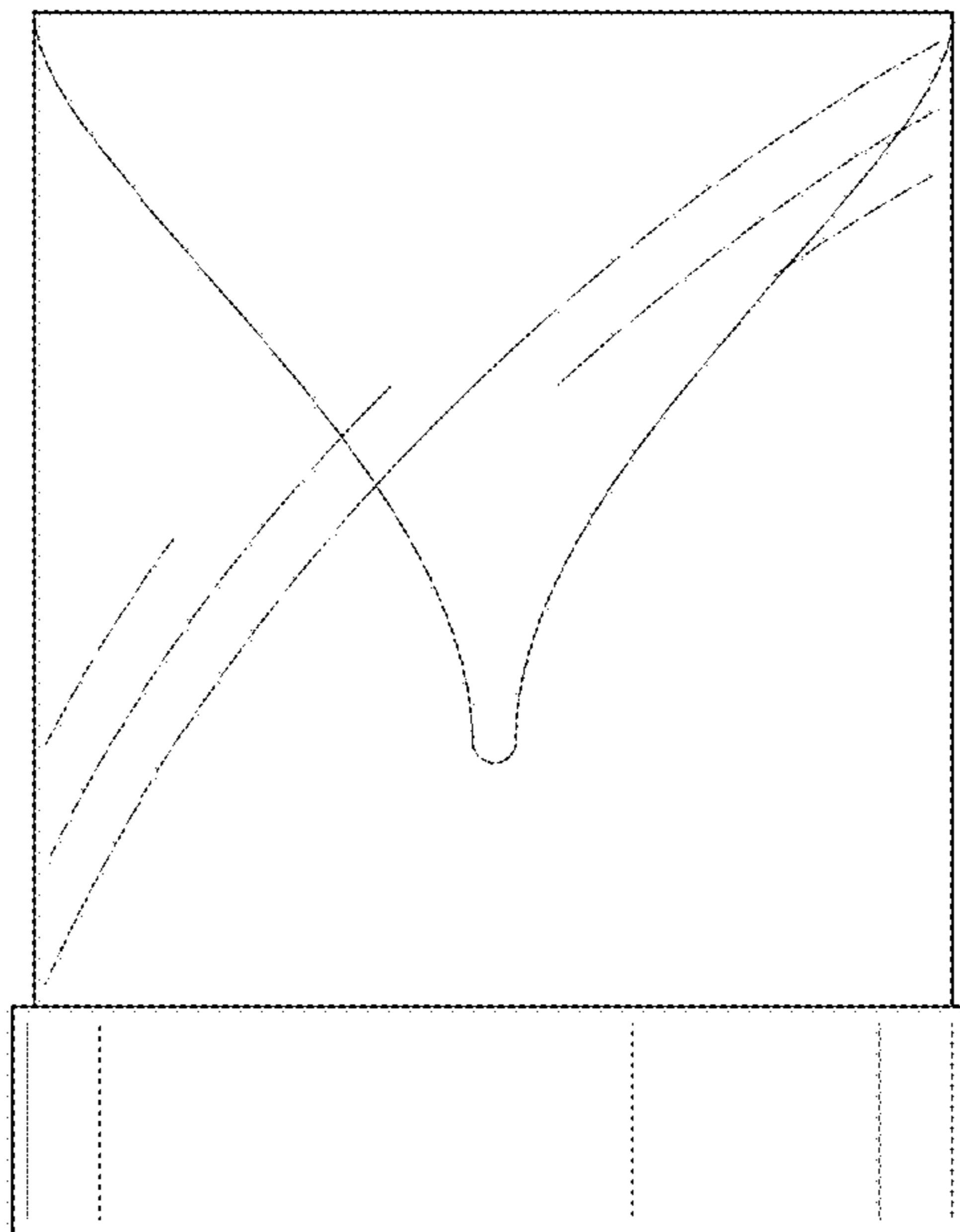


FIG. 5

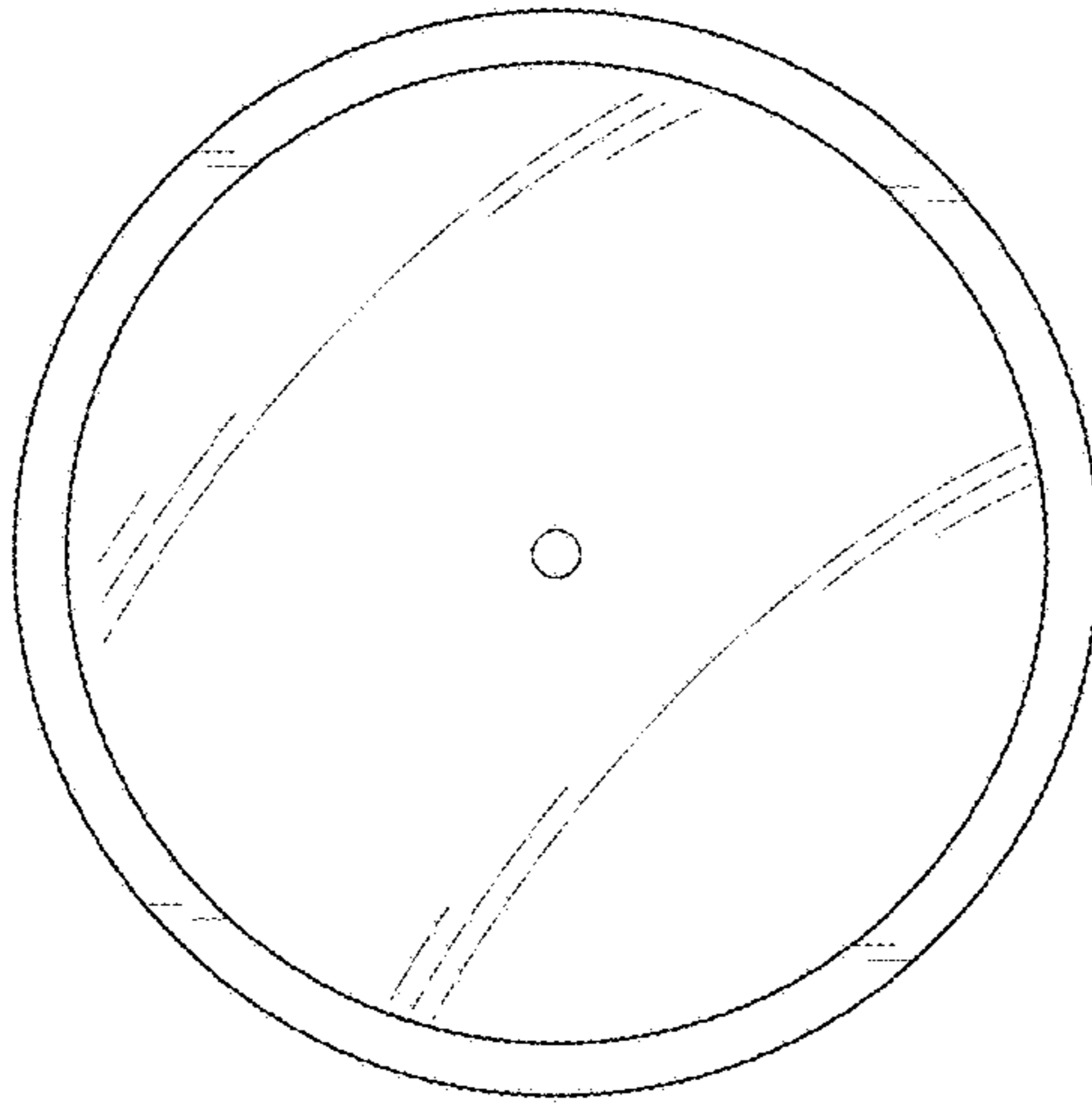


FIG. 7

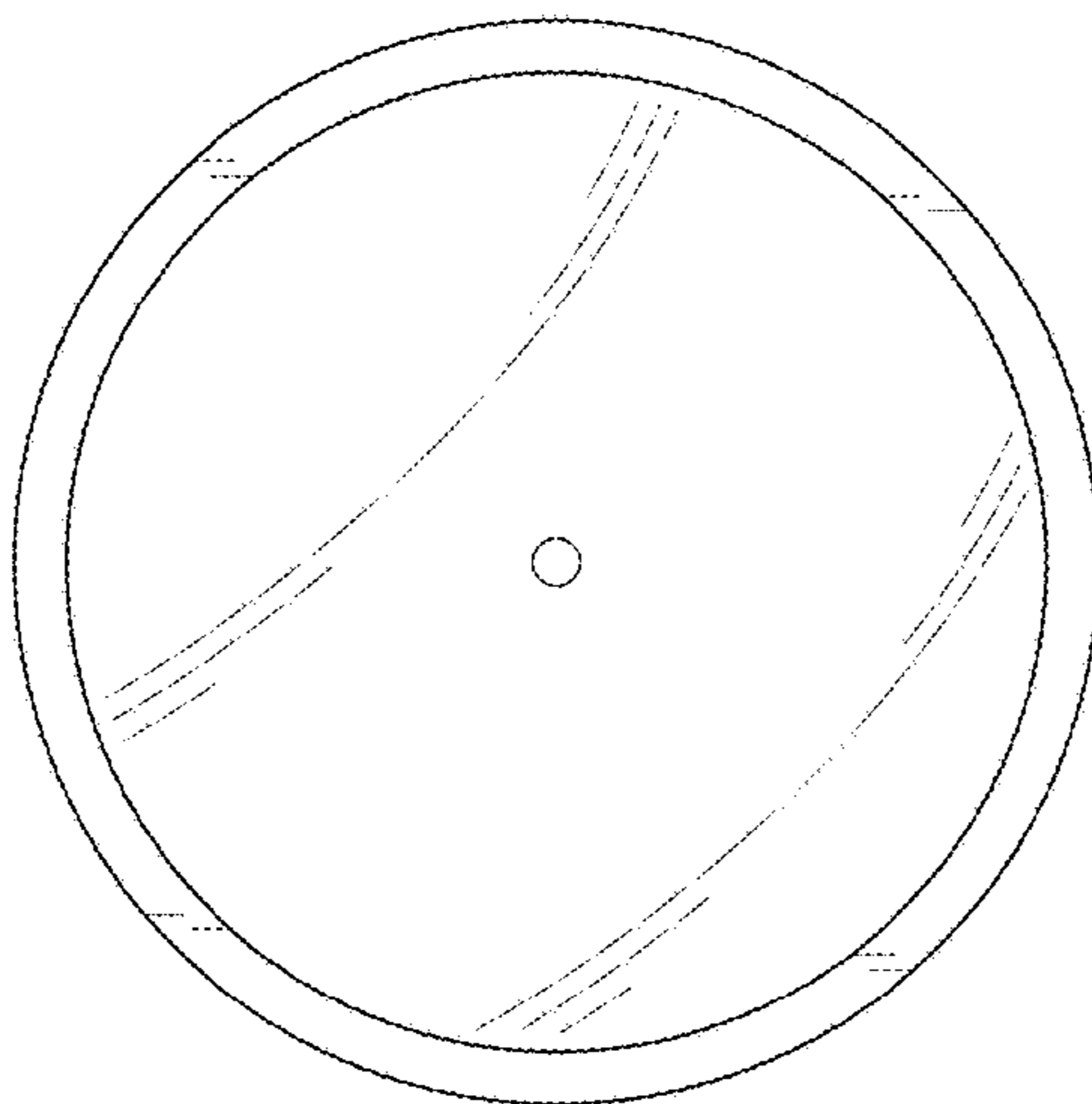


FIG. 6

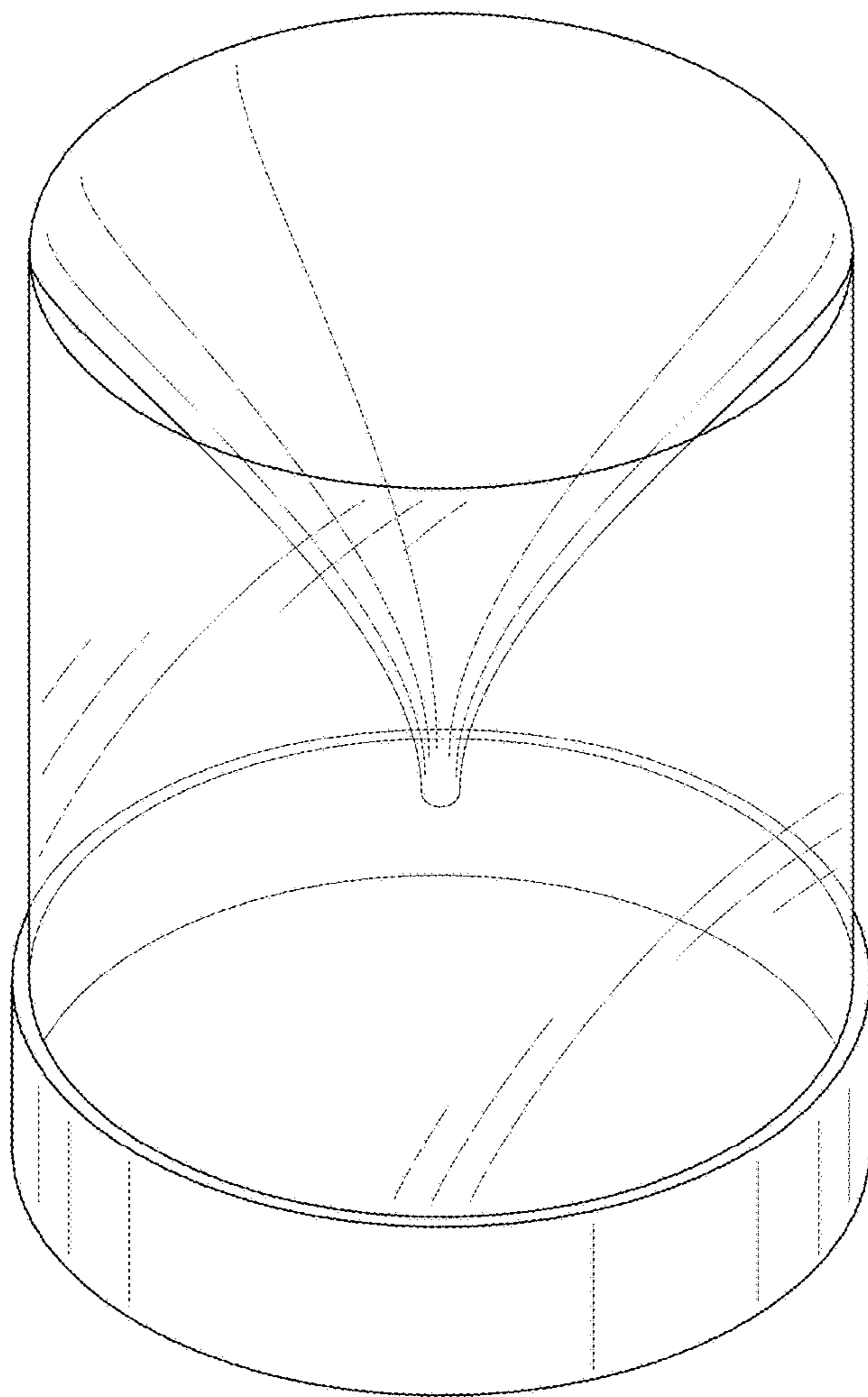


FIG. 8



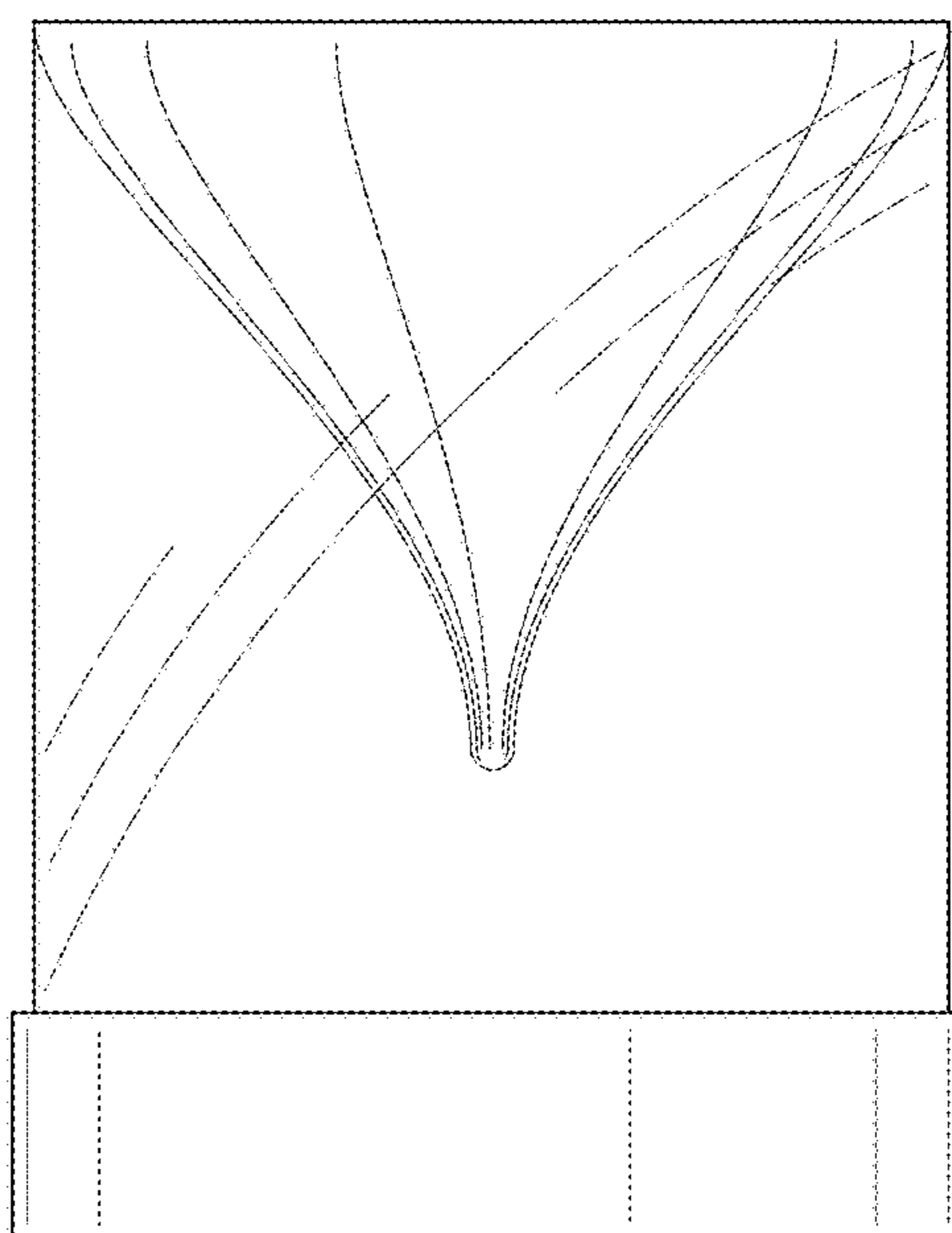


FIG. 9

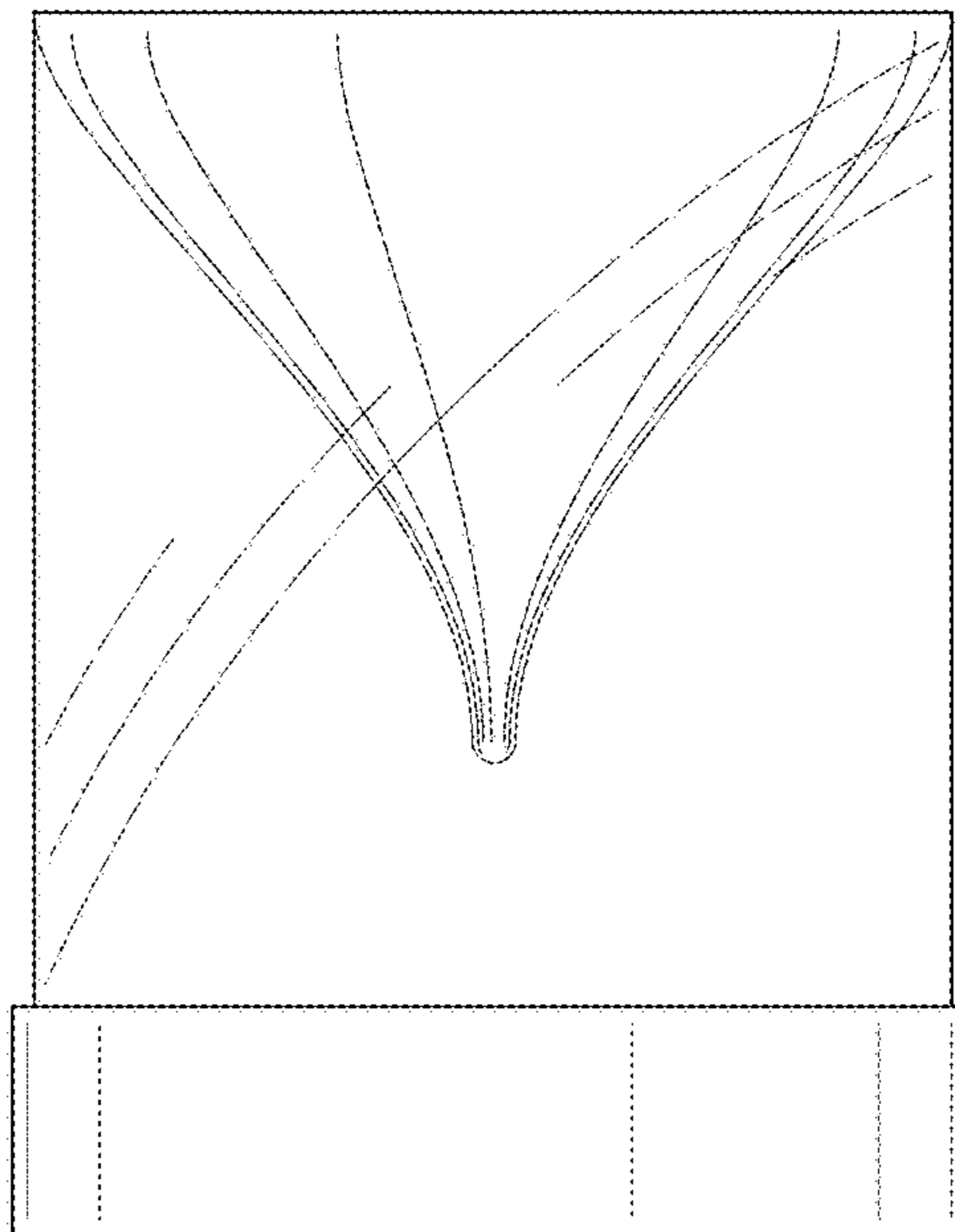


FIG. 10

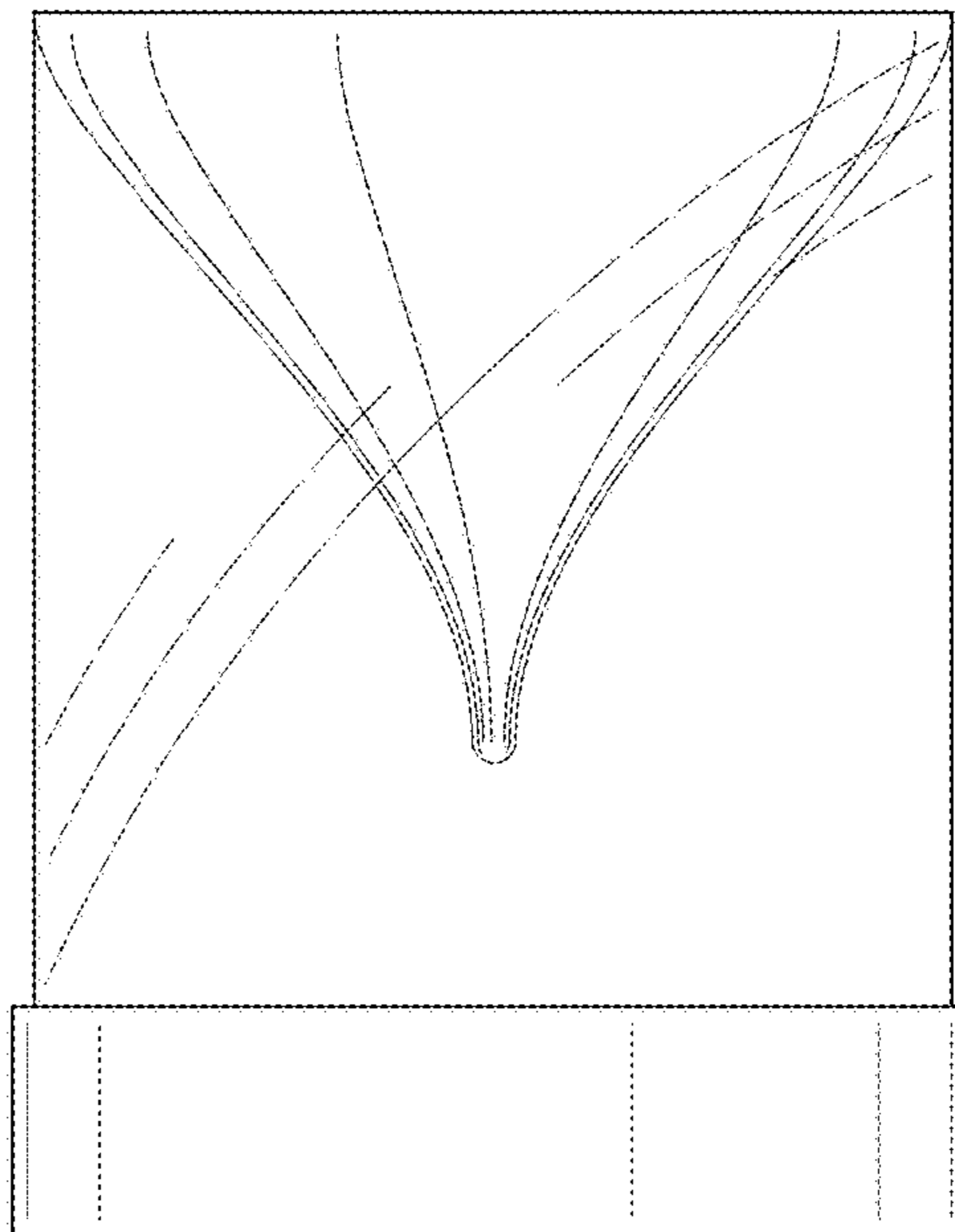


FIG. 11

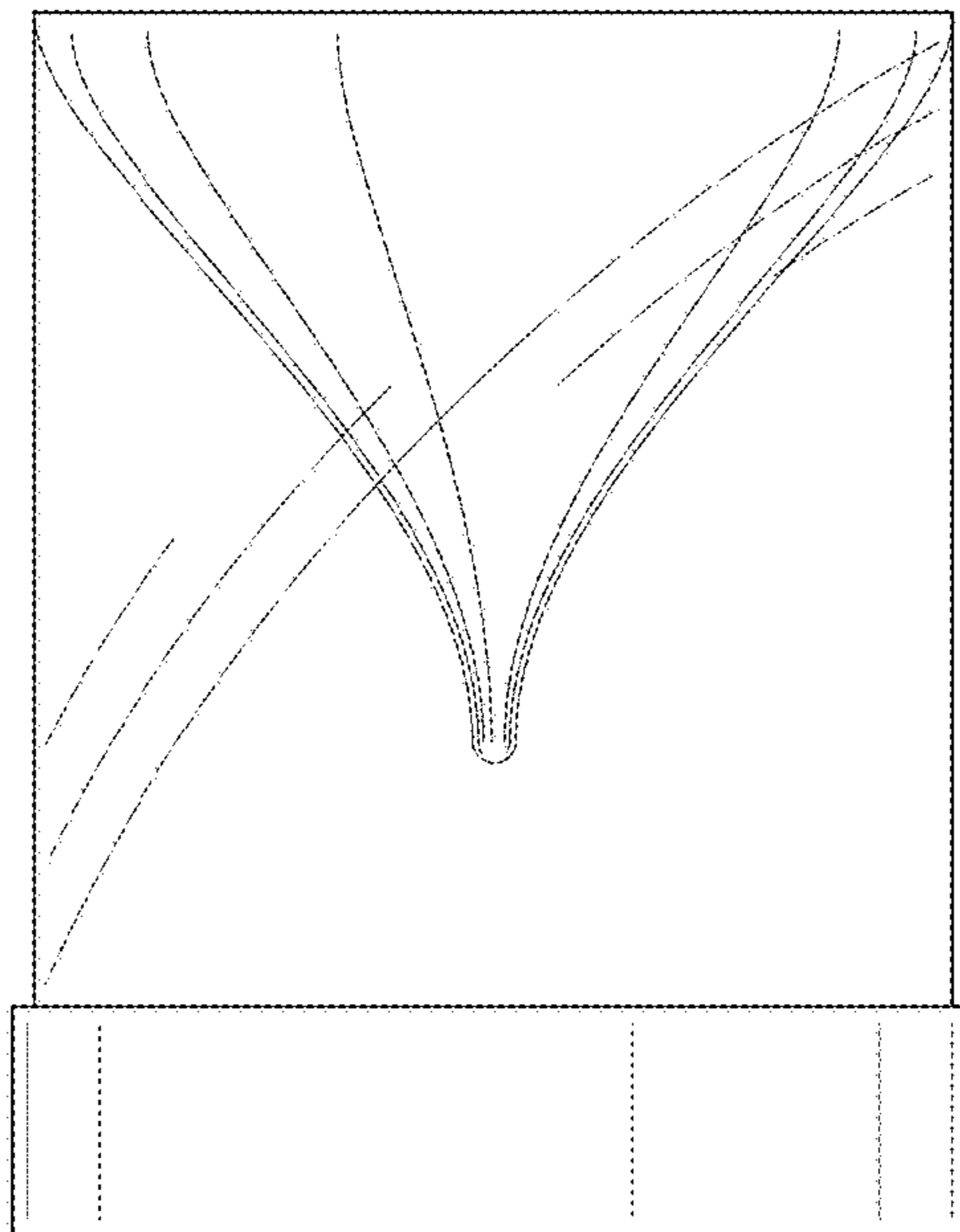


FIG. 12

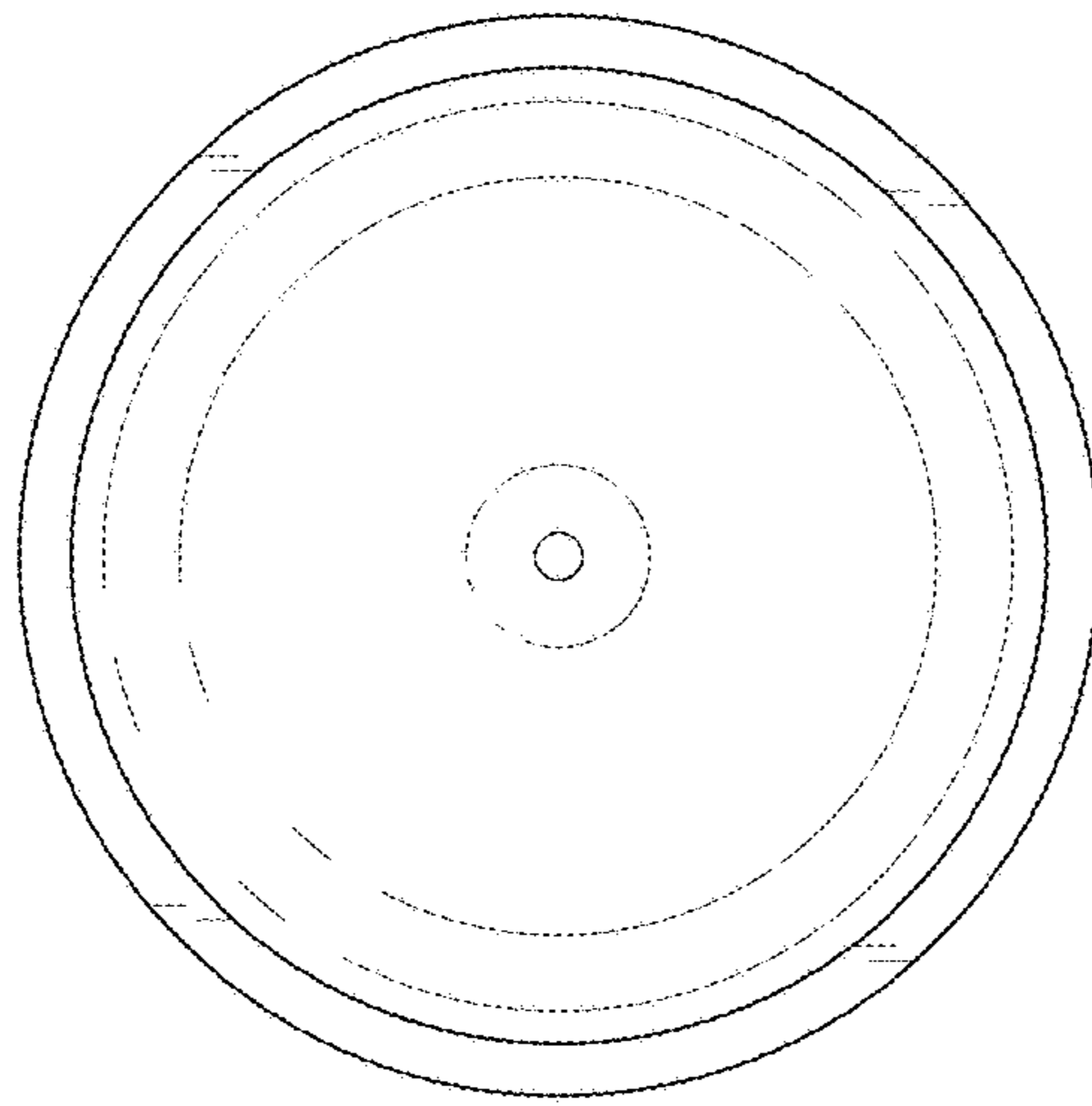


FIG. 13

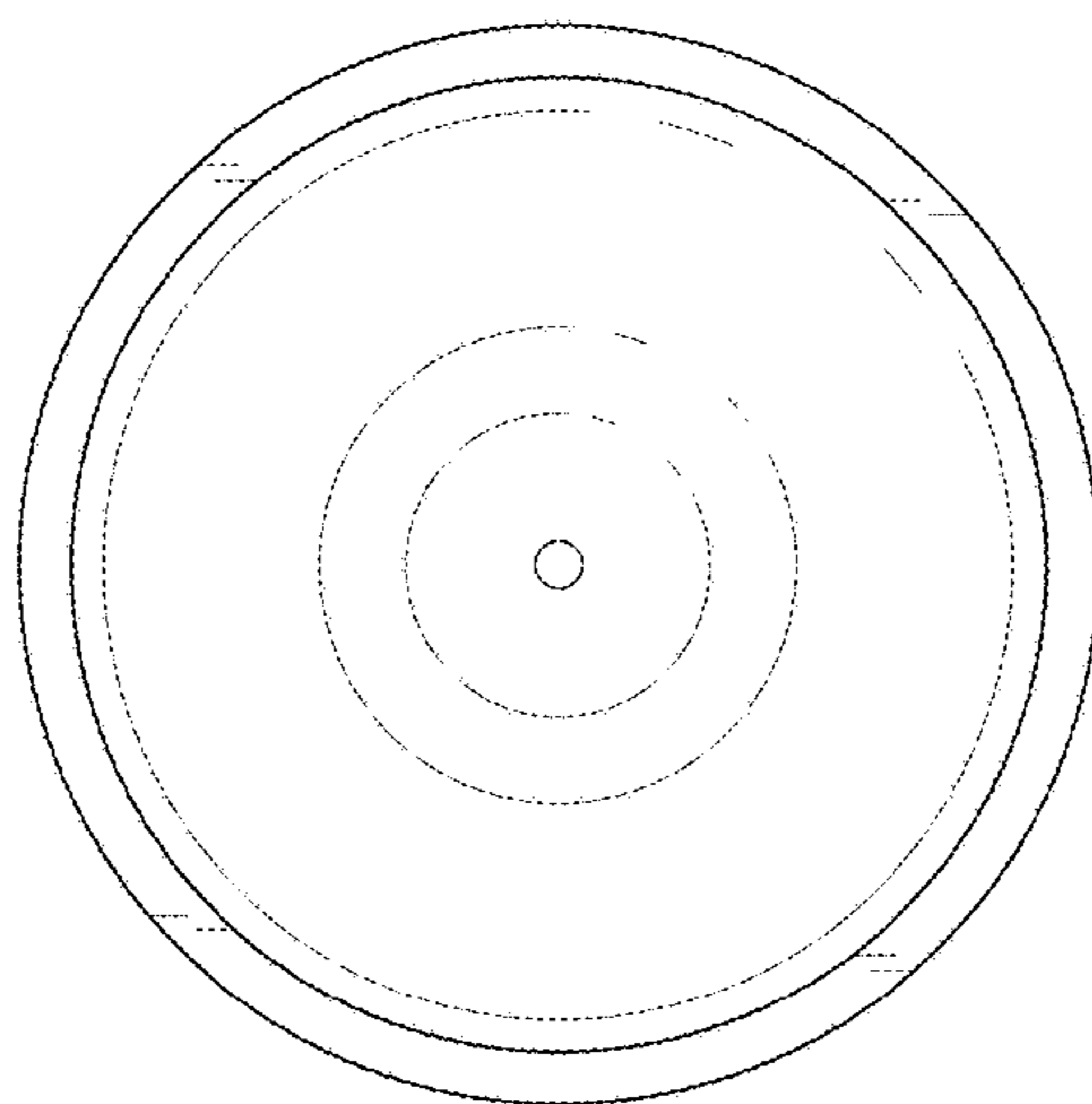


FIG. 14