



US00D869066S

(12) **United States Design Patent** (10) **Patent No.:** **US D869,066 S**
Sonneman (45) **Date of Patent:** **** Dec. 3, 2019**

(54) **LIGHT TRIM**
(71) Applicant: **Contemporary Visions, LLC**,
Larchmont, NY (US)
(72) Inventor: **Robert A. Sonneman**, Mamaroneck,
NY (US)
(73) Assignee: **Contemporary Visions, LLC**,
Larchmont, NY (US)
(**) Term: **15 Years**
(21) Appl. No.: **29/672,264**
(22) Filed: **Dec. 4, 2018**
(51) **LOC (12) Cl.** **26-99**
(52) **U.S. Cl.**
USPC **D26/128**
(58) **Field of Classification Search**
USPC D26/51, 63, 76, 78, 79, 80, 81, 82, 83,
D26/85, 86, 87, 88, 90, 93, 94, 105, 113,
D26/118, 119, 120, 121, 122, 128, 130,
D26/131, 137, 138, 139, 140, 141, 142
CPC F21S 2/00; F21S 6/00; F21S 4/00; F21S
4/003; F21S 4/005; F21S 4/006; F21S
4/007; F21S 4/008; F21S 8/00; F21S
8/024; F21S 8/026; F21S 8/031; F21S
8/033; F21S 8/035-037; F21S 8/04; F21S
8/043; F21S 8/063
See application file for complete search history.

(56) **References Cited**
U.S. PATENT DOCUMENTS
D363,362 S * 10/1995 Davis, Sr. D26/131
D481,157 S * 10/2003 Fickas D26/128
D530,039 S * 10/2006 Blackman D26/85
D553,791 S * 10/2007 Bouroullec D26/128
D689,219 S * 9/2013 Zhang D26/2
D731,694 S * 6/2015 Tomlinson D26/128
D771,303 S * 11/2016 Ross D26/118
D790,120 S * 6/2017 Sonneman D26/128

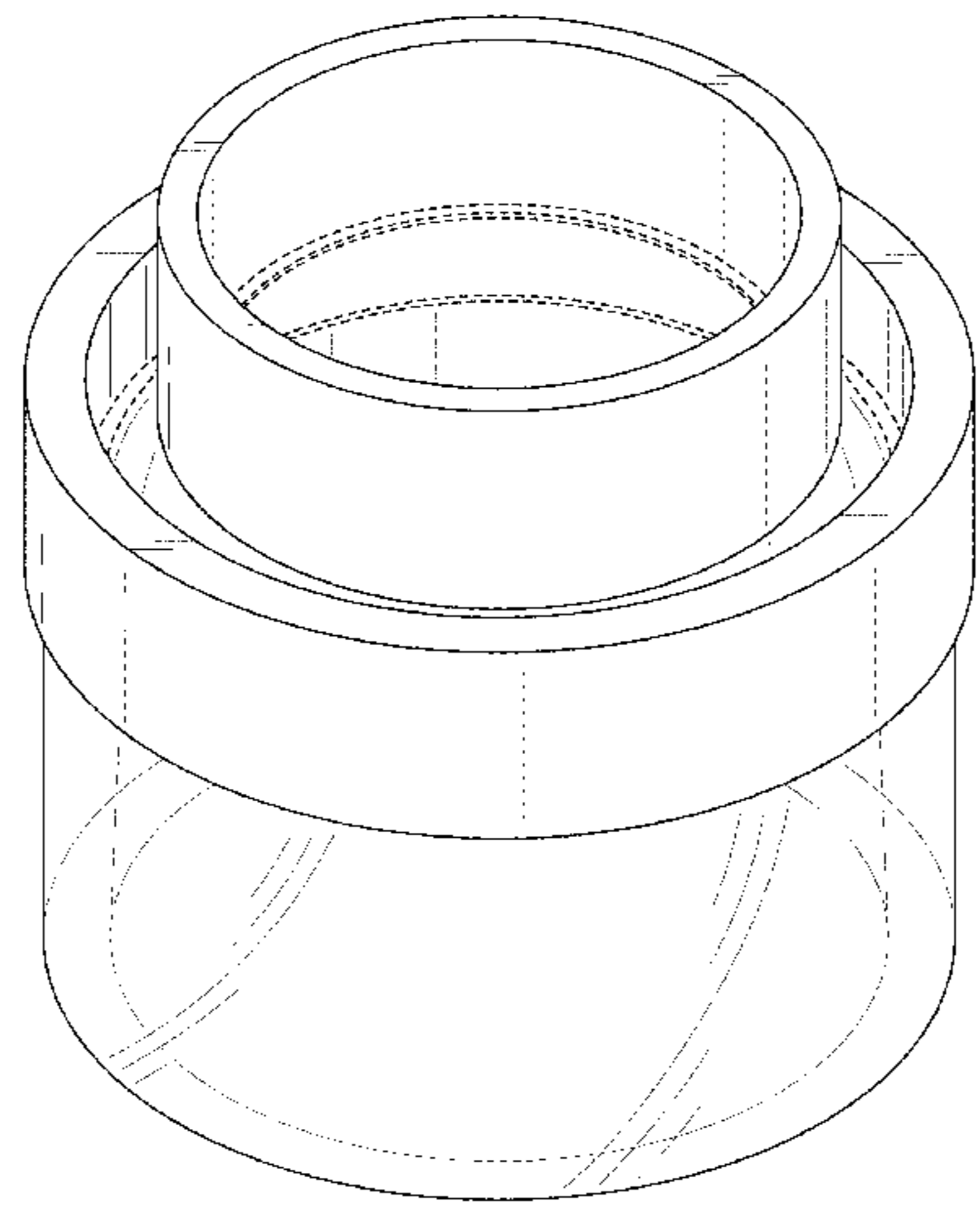
D799,020 S * 10/2017 Guthrie D23/377
D801,574 S * 10/2017 Amato D26/118
D803,470 S * 11/2017 Austin, III D26/118
D819,259 S * 5/2018 McTaggart D26/128
D821,008 S * 6/2018 Guthrie D26/59
D821,088 S * 6/2018 Kim D3/203.3
D828,617 S * 9/2018 Sonneman D26/118
D835,836 S * 12/2018 Furman D26/128
D836,239 S * 12/2018 Sonneman D26/118

* cited by examiner
Primary Examiner — Brian N. Vinson
(74) *Attorney, Agent, or Firm* — Gottlieb, Rackman &
Reisman, P.C.

(57) **CLAIM**
The ornamental design for a light trim, as shown and
described.

DESCRIPTION
FIG. 1 is a perspective view of a first embodiment of a light
trim showing my new design;
FIG. 2 is a first side elevational view of FIG. 1;
FIG. 3 is a second side elevational view of FIG. 1;
FIG. 4 is a third side elevational view of FIG. 1;
FIG. 5 is a fourth side elevational view of FIG. 1;
FIG. 6 is a top plan view of FIG. 1;
FIG. 7 is a bottom plan view of FIG. 1;
FIG. 8 is a second embodiment of a light trim showing my
new design;
FIG. 9 is a first side elevational view of FIG. 8;
FIG. 10 is a second side elevational view of FIG. 8;
FIG. 11 is a third side elevational view of FIG. 8;
FIG. 12 is a fourth side elevational view of FIG. 8;
FIG. 13 is a top plan view of FIG. 8; and,
FIG. 14 is a bottom plan view of FIG. 8.
The broken lines shown in the drawings are included for the
purpose of illustrating elements of the light trim that is
attachable to a light fixture and form no part of the claimed
design.

1 Claim, 14 Drawing Sheets



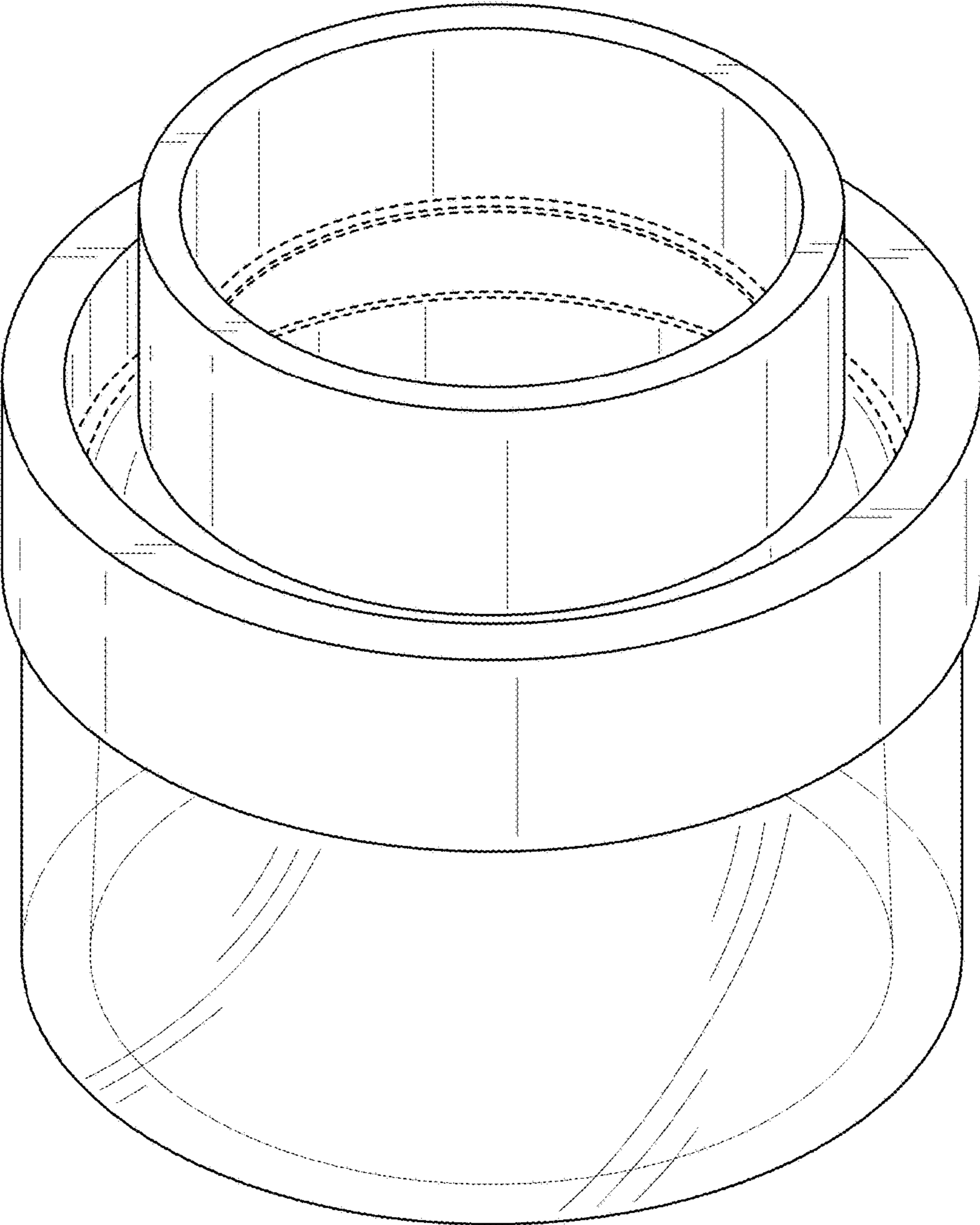


FIG. 1

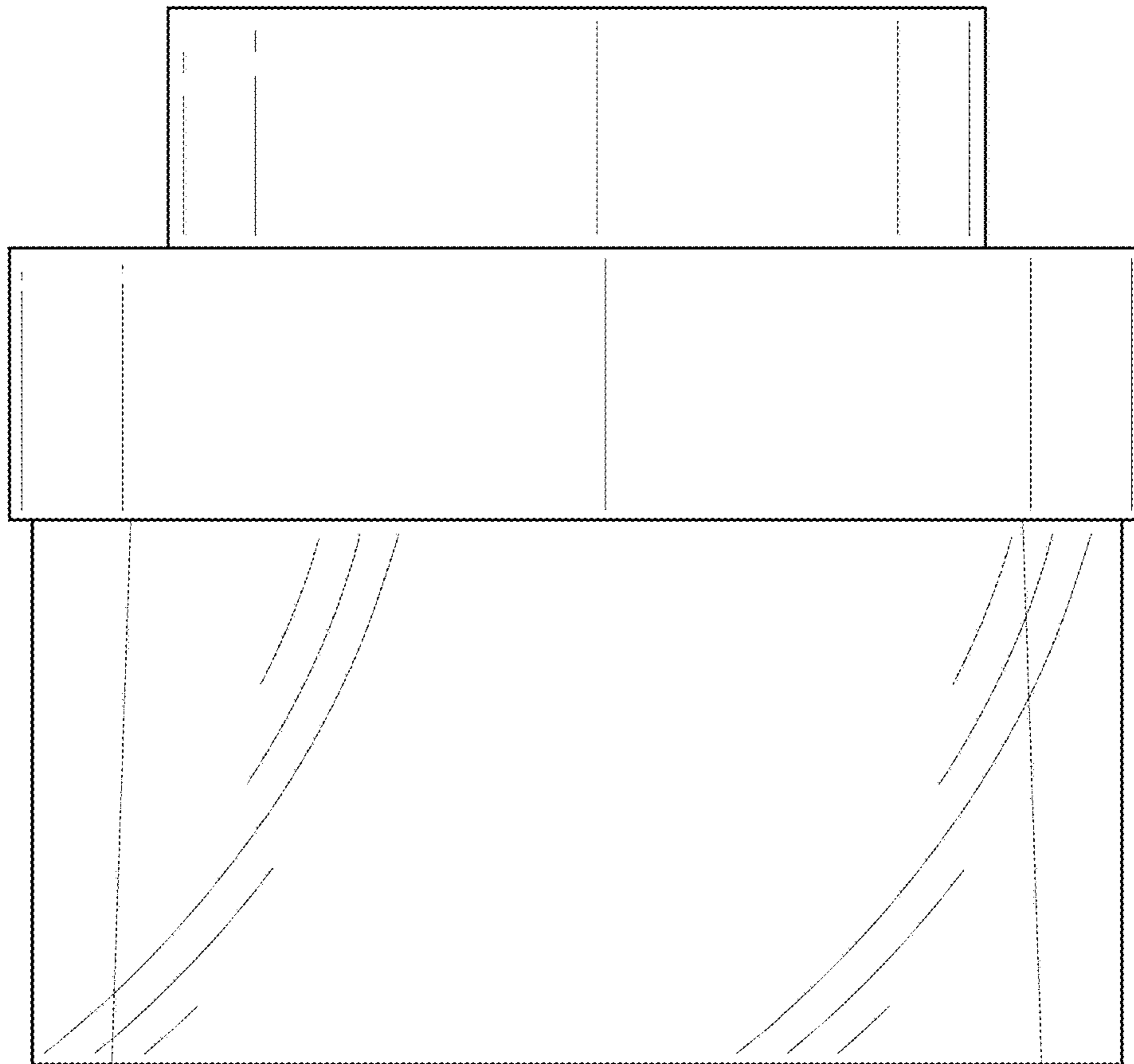


FIG. 2

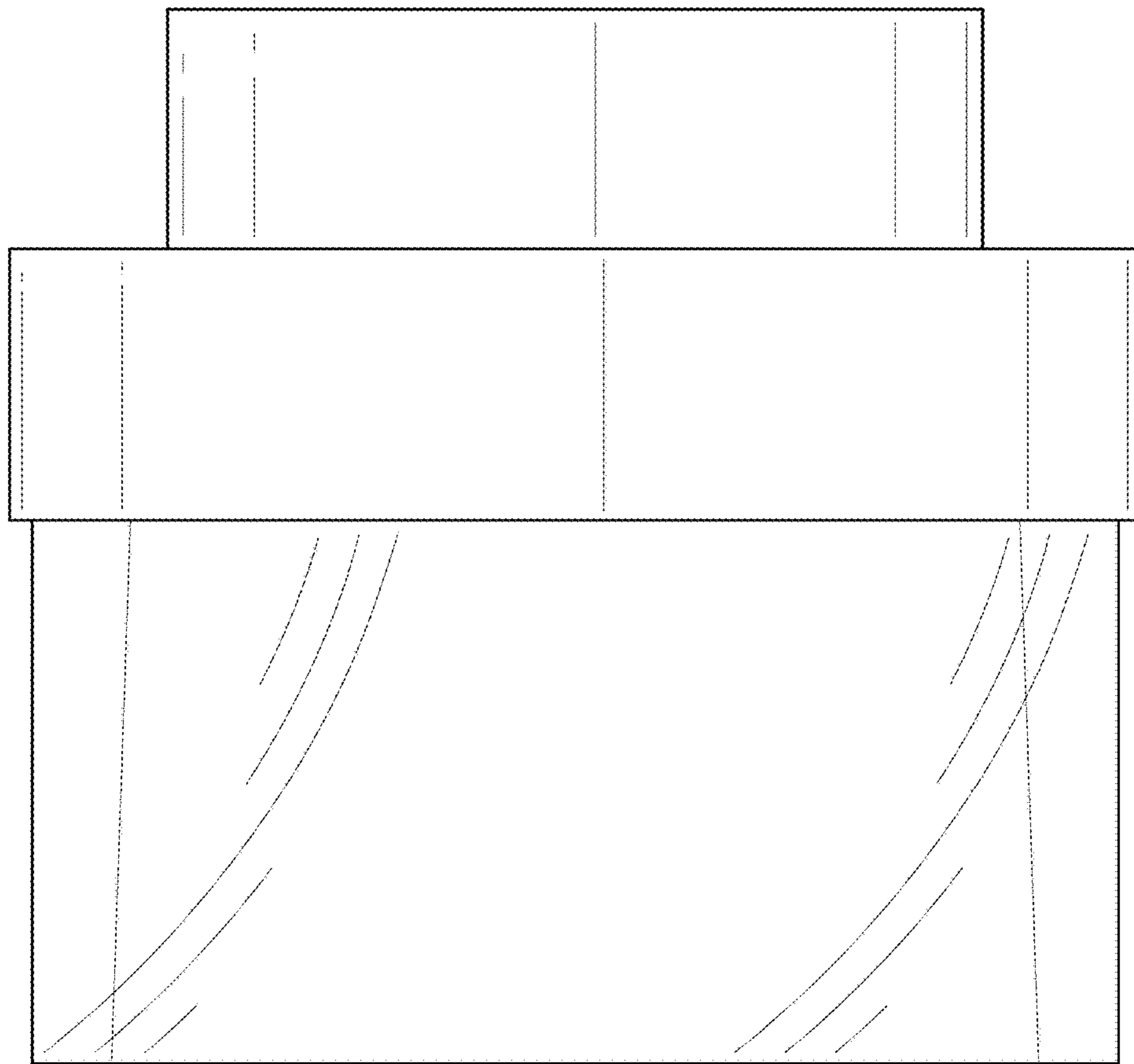


FIG. 3

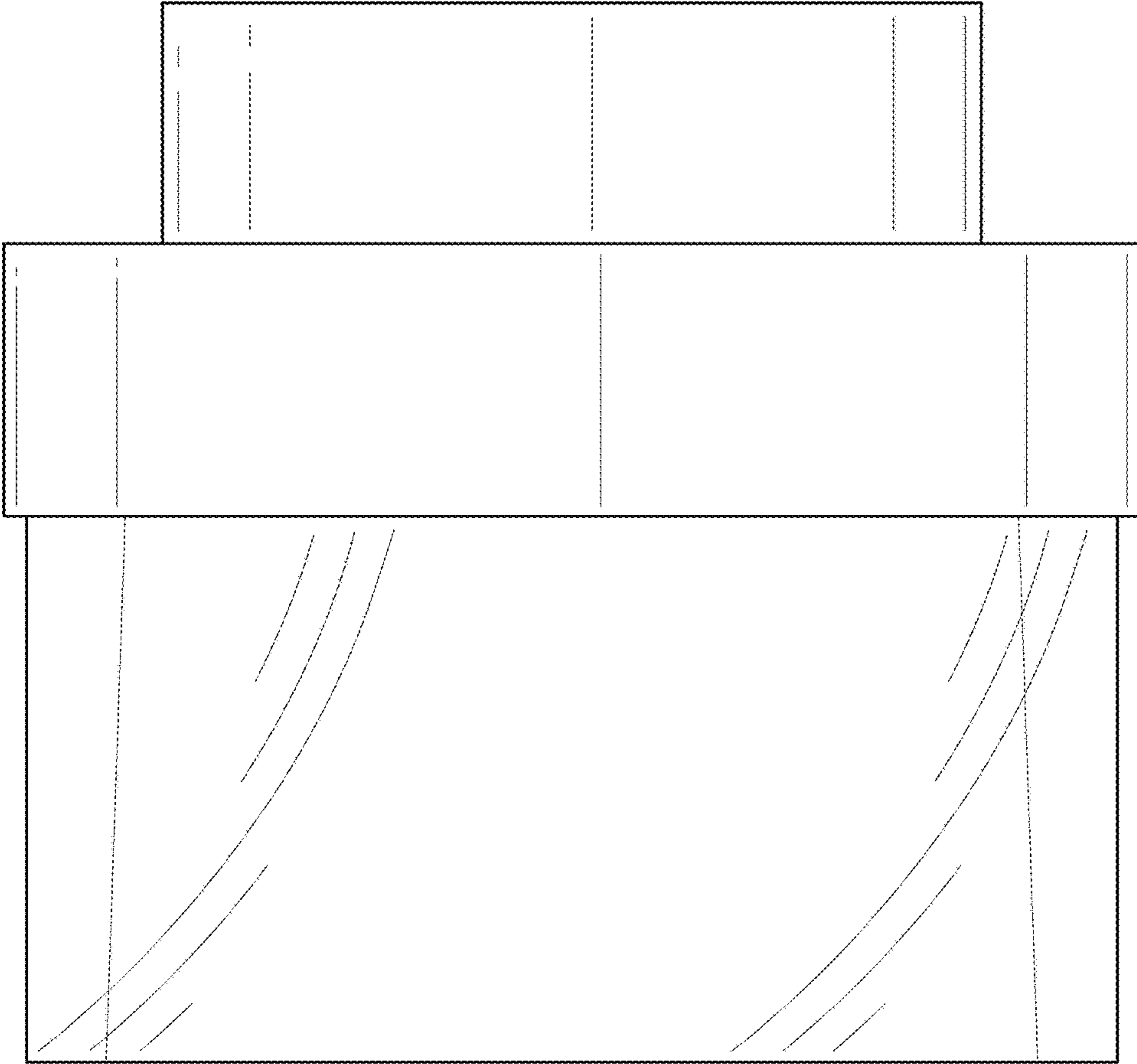


FIG. 4

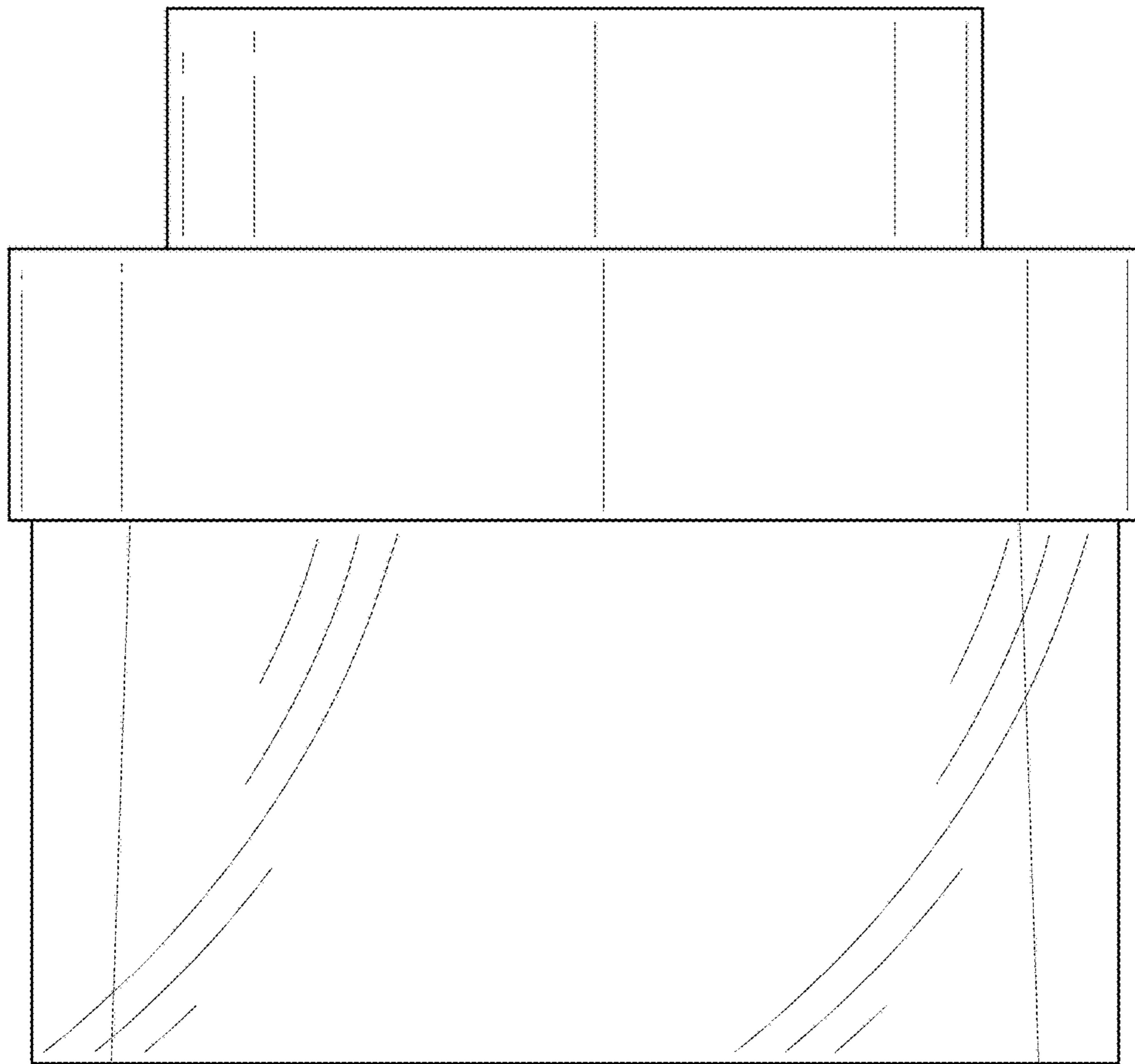


FIG. 5

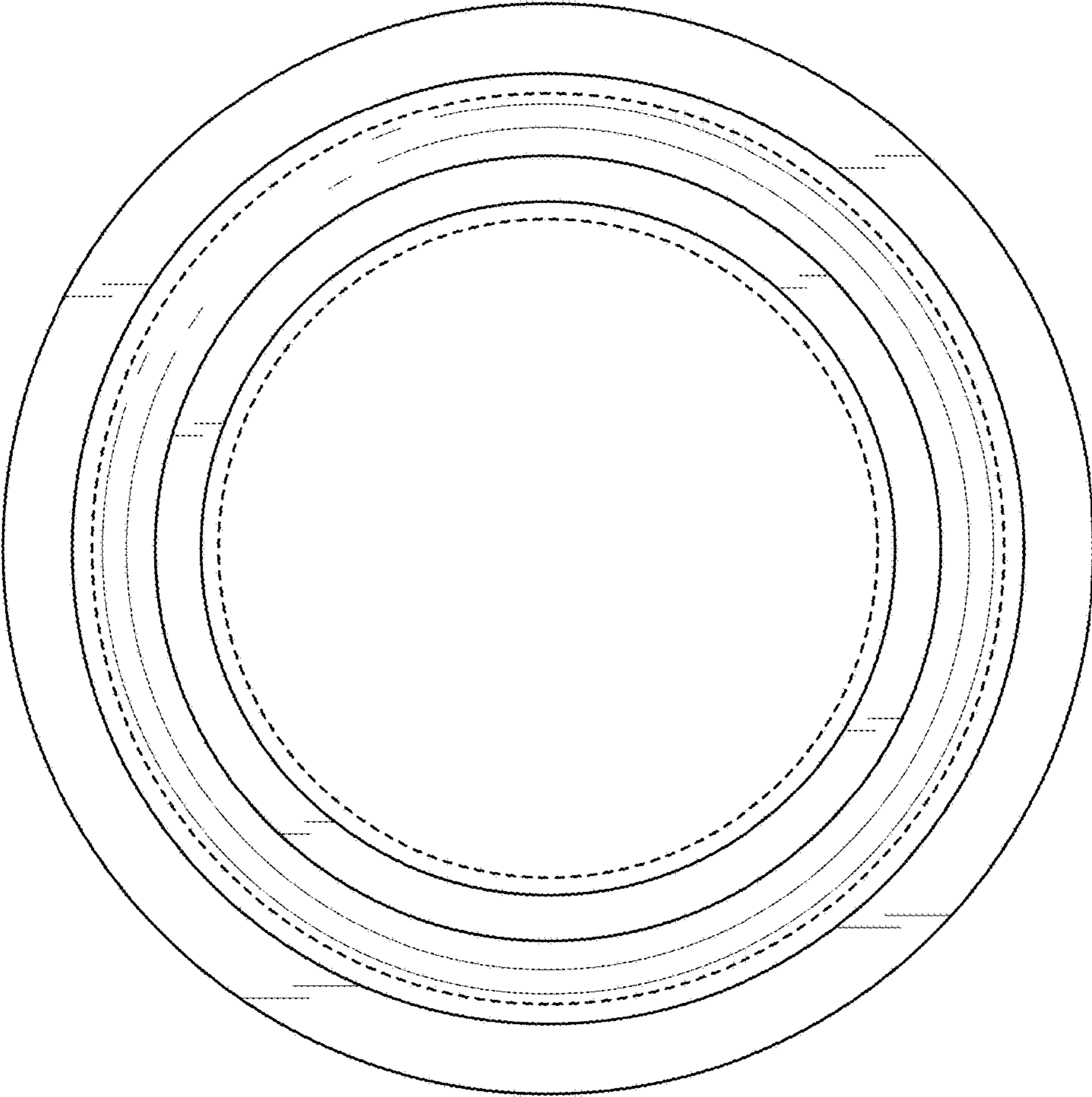


FIG. 6

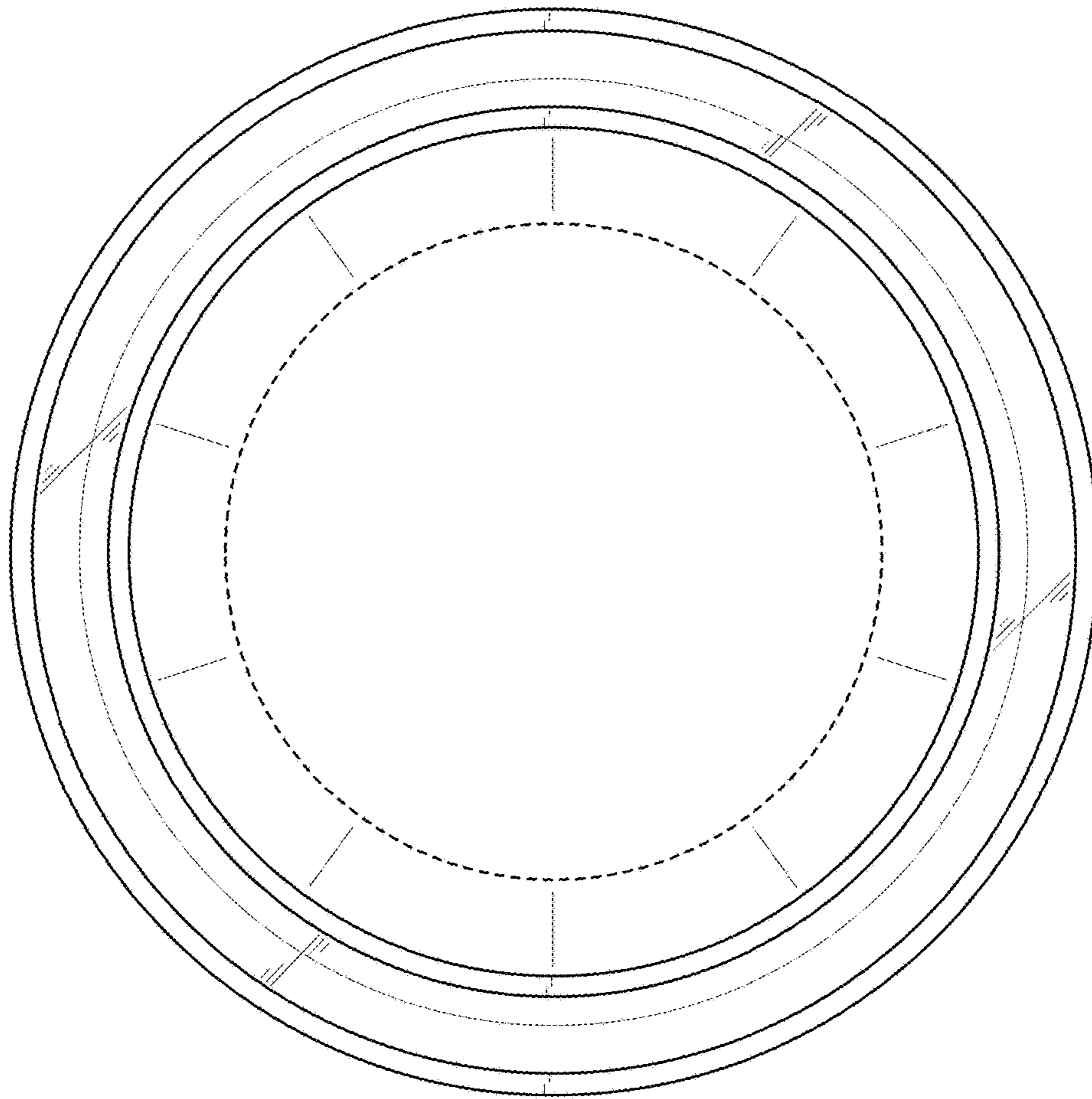


FIG. 7

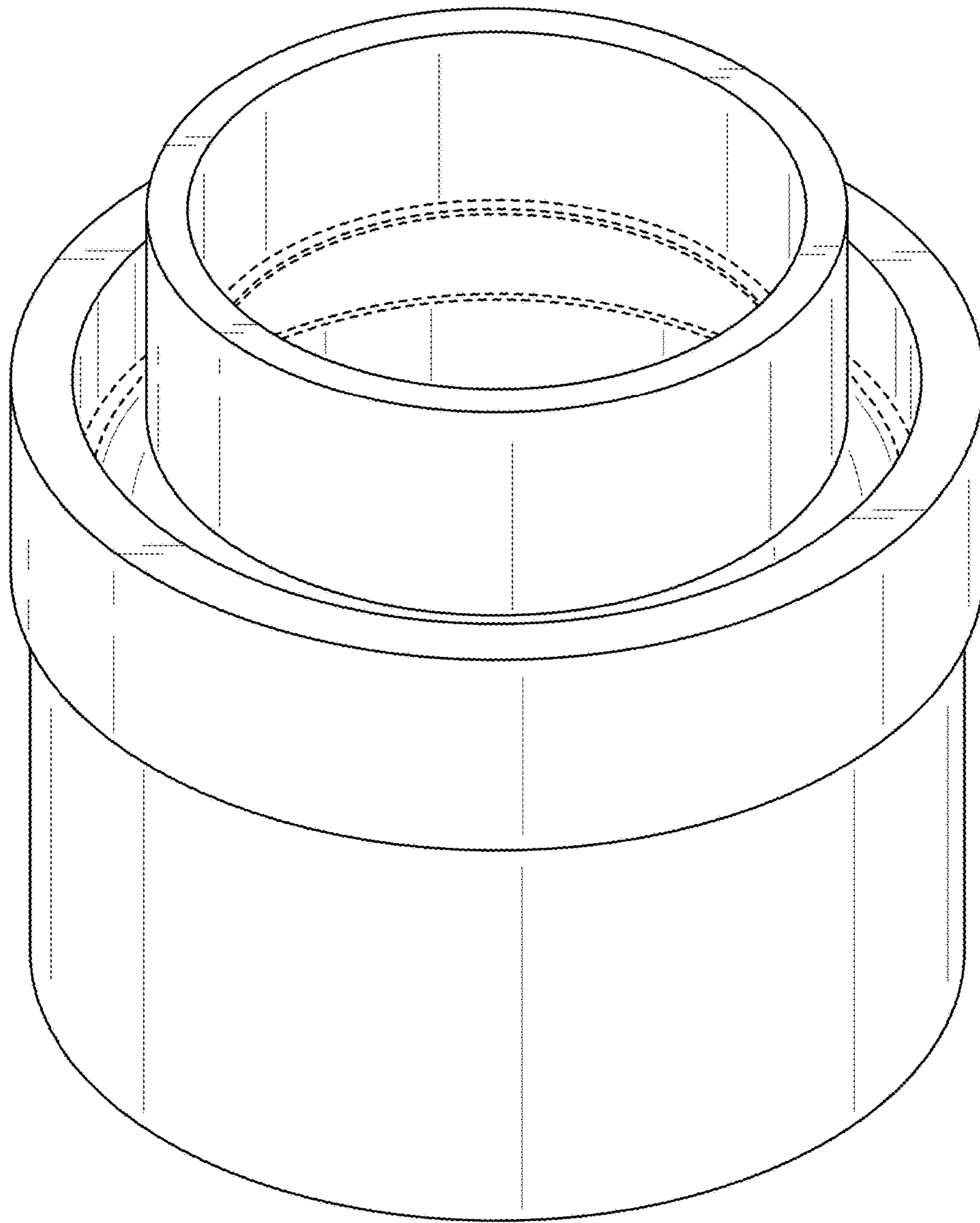


FIG. 8

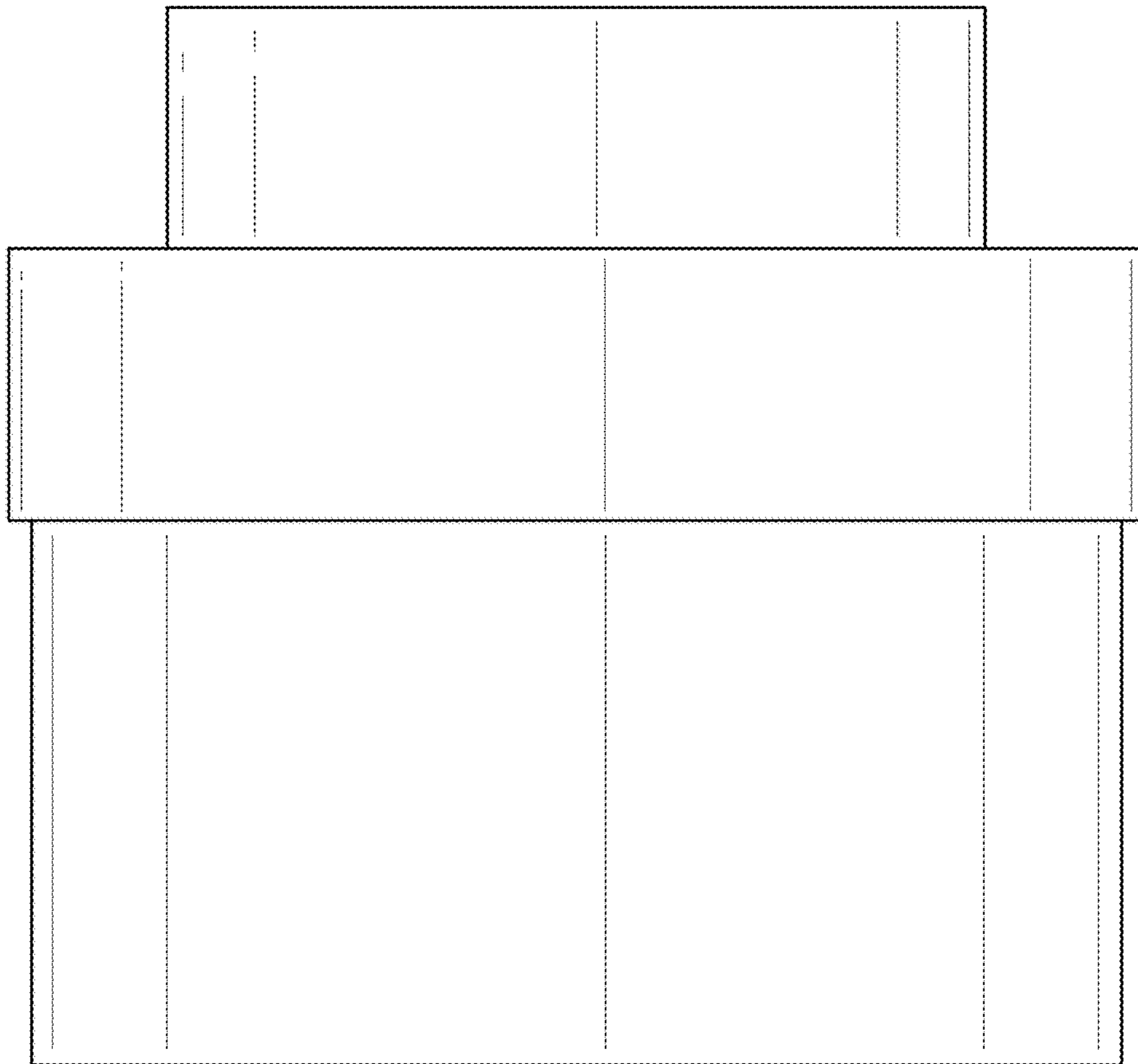


FIG. 9

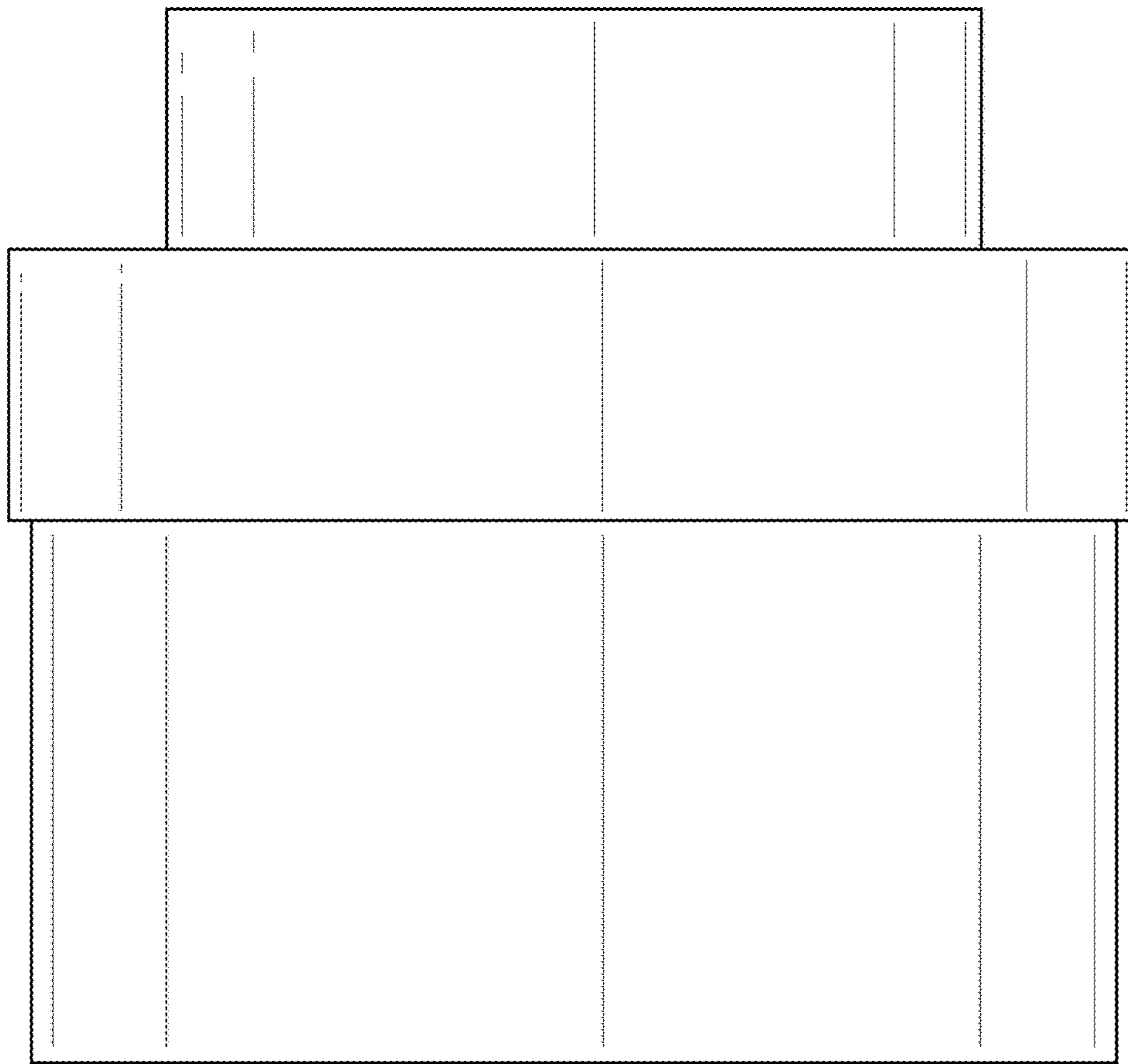


FIG. 10

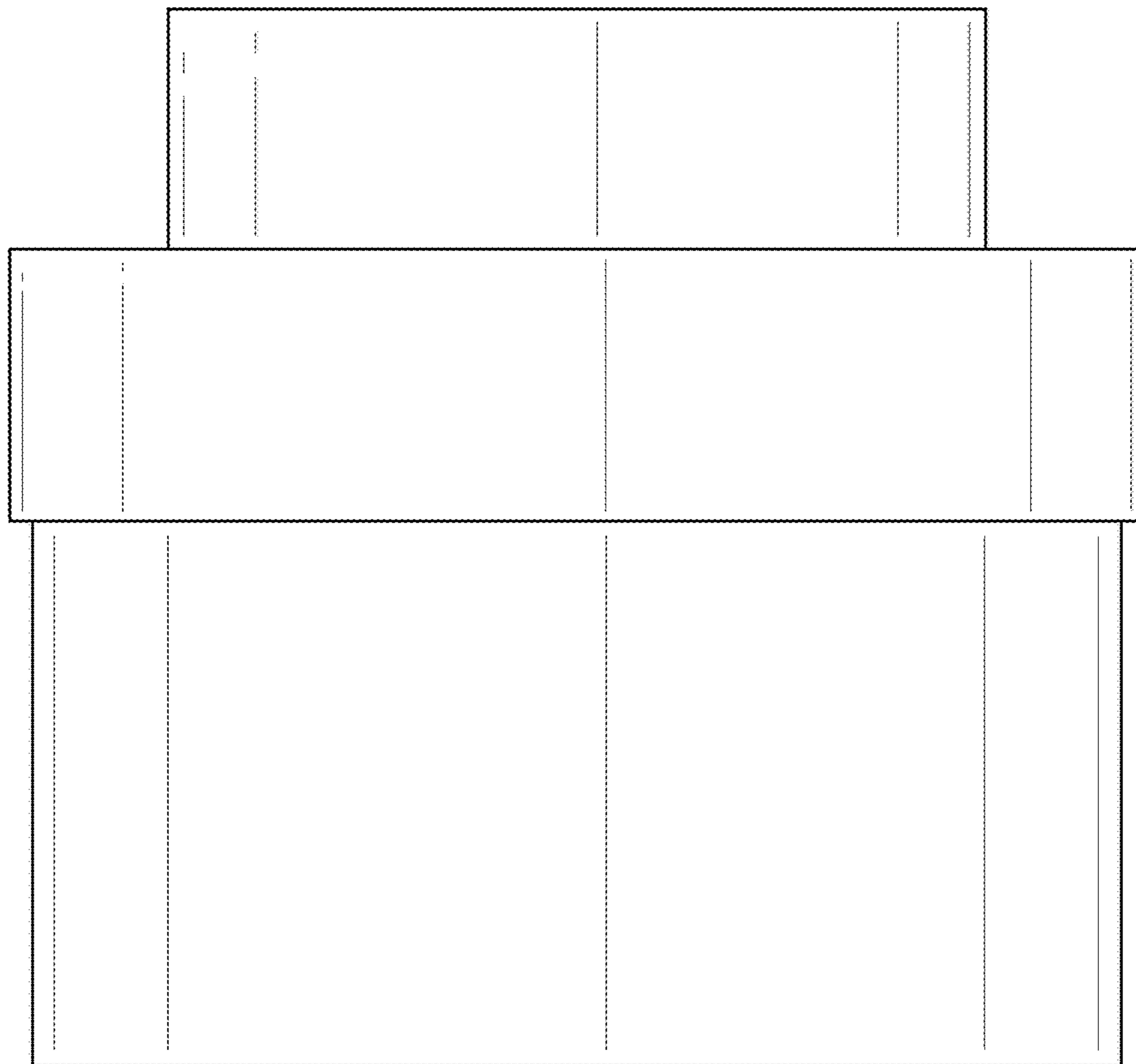


FIG. 11

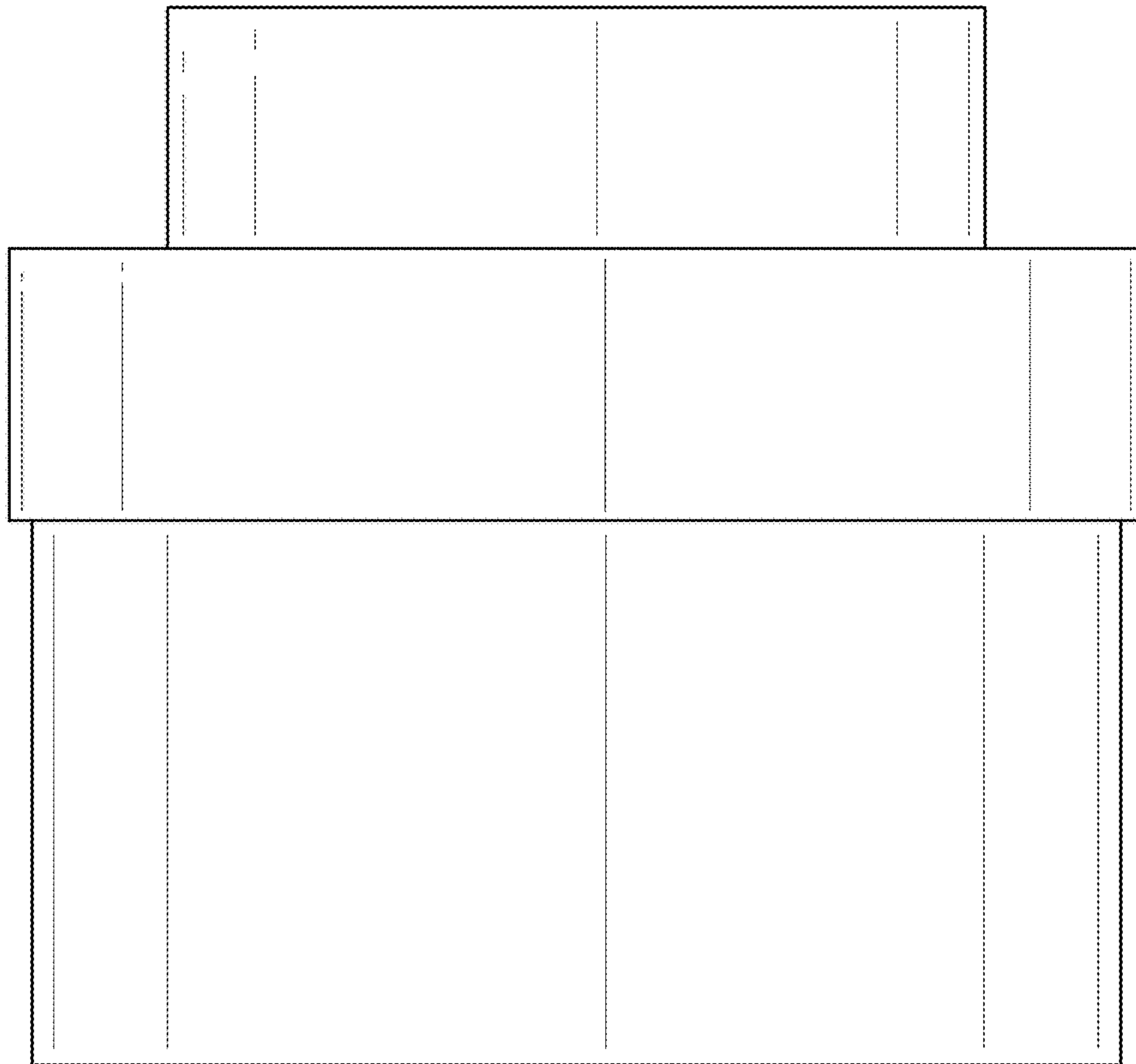


FIG. 12

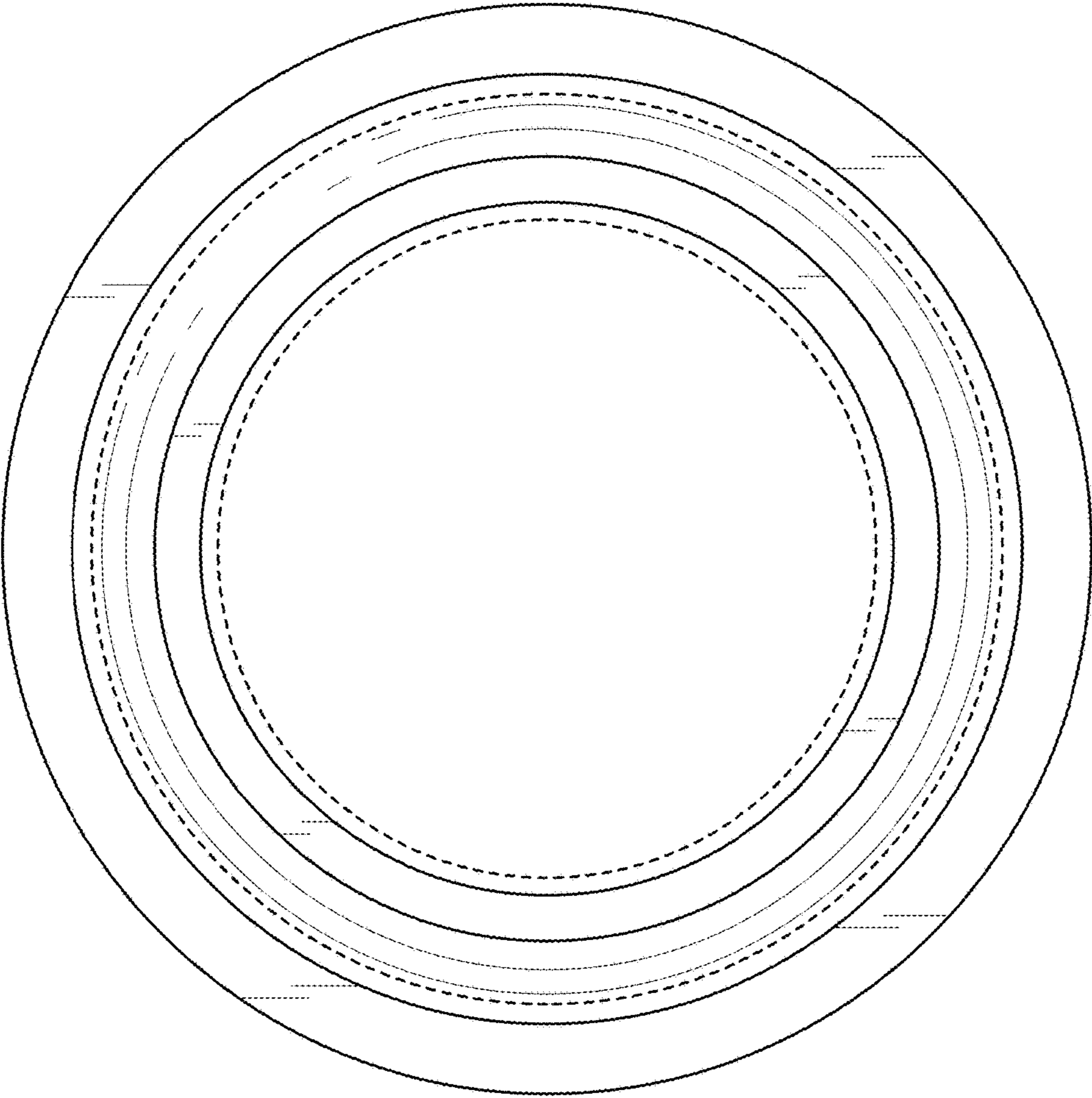


FIG. 13

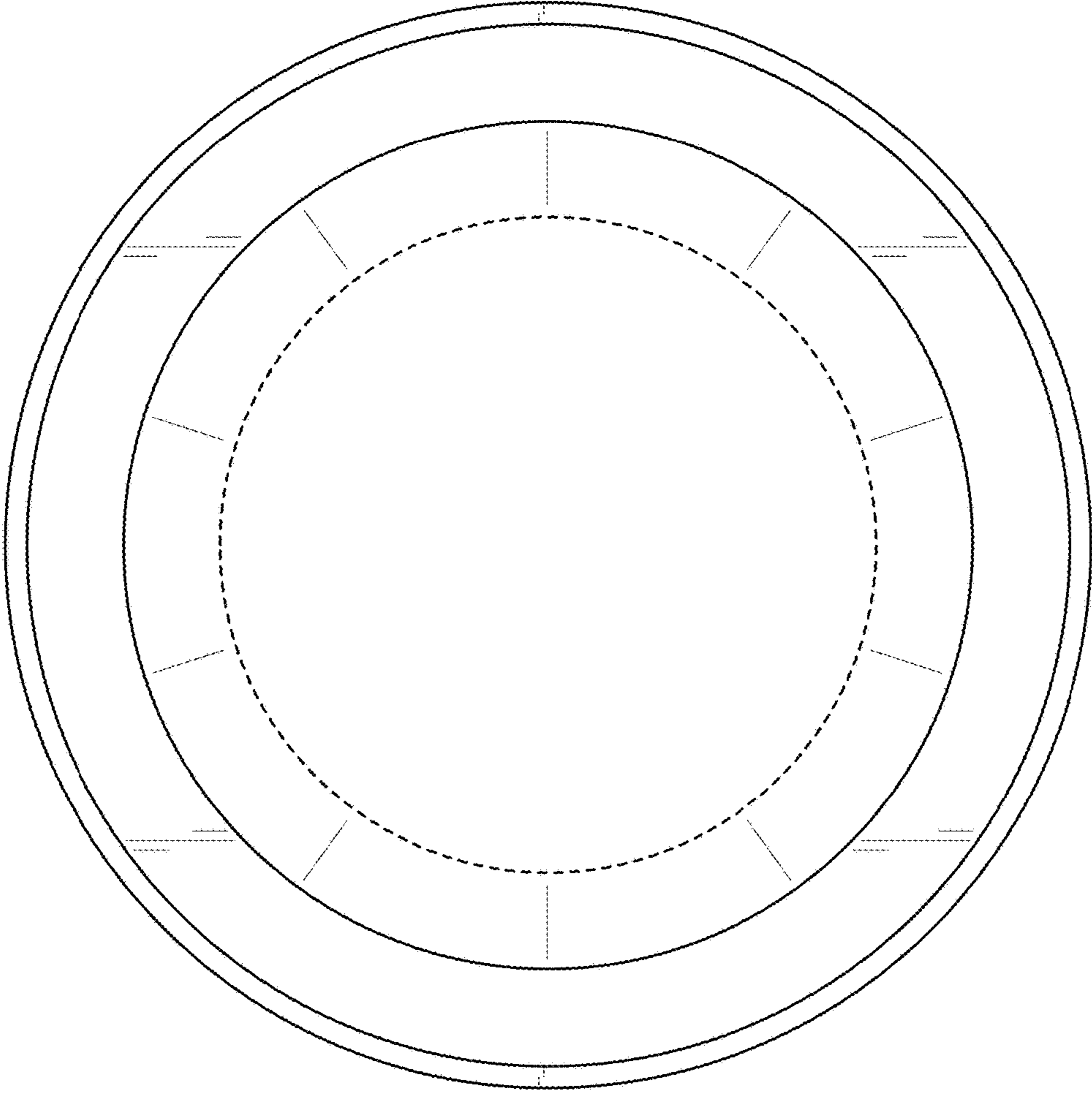


FIG. 14