



US00D869065S

(12) **United States Design Patent**
Spenner et al.

(10) **Patent No.:** **US D869,065 S**
(45) **Date of Patent:** **** Dec. 3, 2019**

(54) **LIGHTING DEVICE**

(71) Applicant: **J.W. SPEAKER CORPORATION**,
Germantown, WI (US)

(72) Inventors: **Jeffrey L. Spenner**, Hubertus, WI
(US); **Jeffrey M. Cottrill**, West Allis,
WI (US)

(73) Assignee: **J.W. SPEAKER CORPORATION**,
Germantown, WI (US)

(**) Term: **15 Years**

(21) Appl. No.: **29/635,479**

(22) Filed: **Jan. 31, 2018**

(51) **LOC (12) Cl.** **26-05**

(52) **U.S. Cl.**
USPC **D26/121**

(58) **Field of Classification Search**
USPC D26/24, 28, 36, 81, 83, 120–122;
D10/104.1, 106.1, 114.1, 114.2, 114.3
CPC F21V 1/00; F21V 1/02; F21V 1/04; F21V
1/14; F21V 3/00; F21V 3/02; F21V 5/00;
F21V 5/002; F21V 11/00; F21V 11/02;
F21V 11/06; F21K 9/23; F21K 9/232;
F21K 9/237
See application file for complete search history.

(56) **References Cited**

U.S. PATENT DOCUMENTS

D583,967 S	*	12/2008	Leunis	D26/24
D641,504 S	*	7/2011	Lin	D26/28
D739,581 S	*	9/2015	Huang	D26/28
D739,587 S	*	9/2015	Largent	D26/63
D747,517 S	*	1/2016	Lai	D26/28
D776,857 S	*	1/2017	Stolte	D26/89
D791,390 S	*	7/2017	Stolte	D26/89
D791,397 S	*	7/2017	Popovic	D26/120

D791,398 S	*	7/2017	Popovic	D26/120
D793,593 S	*	8/2017	Chen	D26/28
D794,844 S	*	8/2017	Leban	D26/28
D799,082 S	*	10/2017	Lai	D26/28
D820,505 S	*	6/2018	Herre	D26/120
D822,238 S	*	7/2018	Deering	D26/28
D823,500 S	*	7/2018	Liao	D26/28
D840,092 S	*	2/2019	Herre	D26/120

* cited by examiner

Primary Examiner — Wan Laymon

Assistant Examiner — Clint A Samuel

(74) *Attorney, Agent, or Firm* — Quarles & Brady LLP

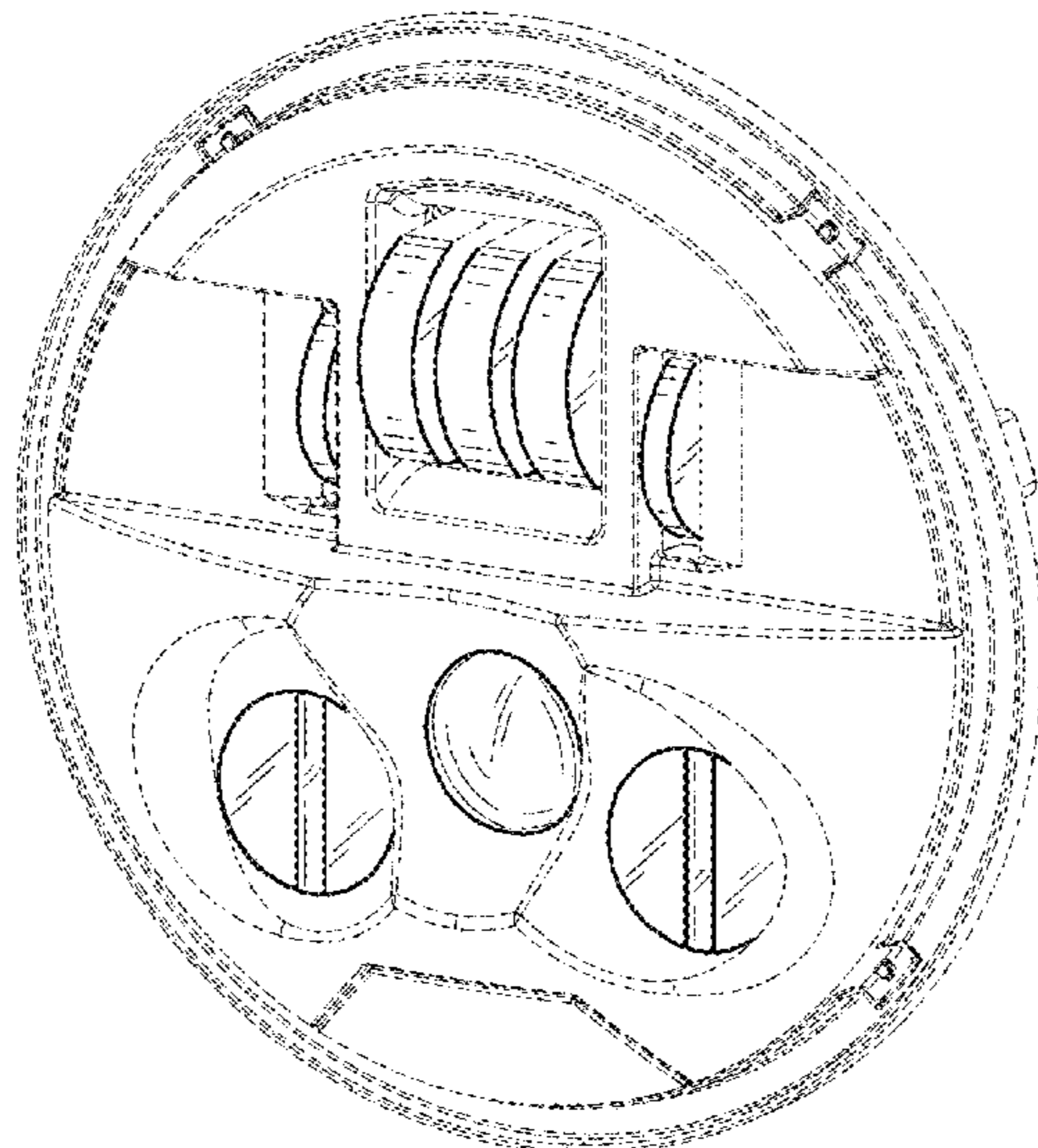
(57) **CLAIM**

The ornamental design for a lighting device, as shown and described.

DESCRIPTION

FIG. 1 is an isometric view of a top, right, and front side of an ornamental design for a lighting device;
 FIG. 2 is a front elevational view of the lighting device of FIG. 1;
 FIG. 3 is a top plan view of the lighting device of FIG. 1;
 FIG. 4 is a bottom plan view of the lighting device of FIG. 1;
 FIG. 5 is a right side elevational view of the lighting device of FIG. 1;
 FIG. 6 is a left side elevational view of the lighting device of FIG. 1;
 FIG. 7 is a rear elevational view of the lighting device of FIG. 1; and,
 FIG. 8 is a left side elevational view of the lighting device of FIG. 1, with a cover shown as environment.
 The dash-dash-dash broken lines are included for the purpose of illustrating portions of the lighting device that form no part of the claimed design.

1 Claim, 6 Drawing Sheets



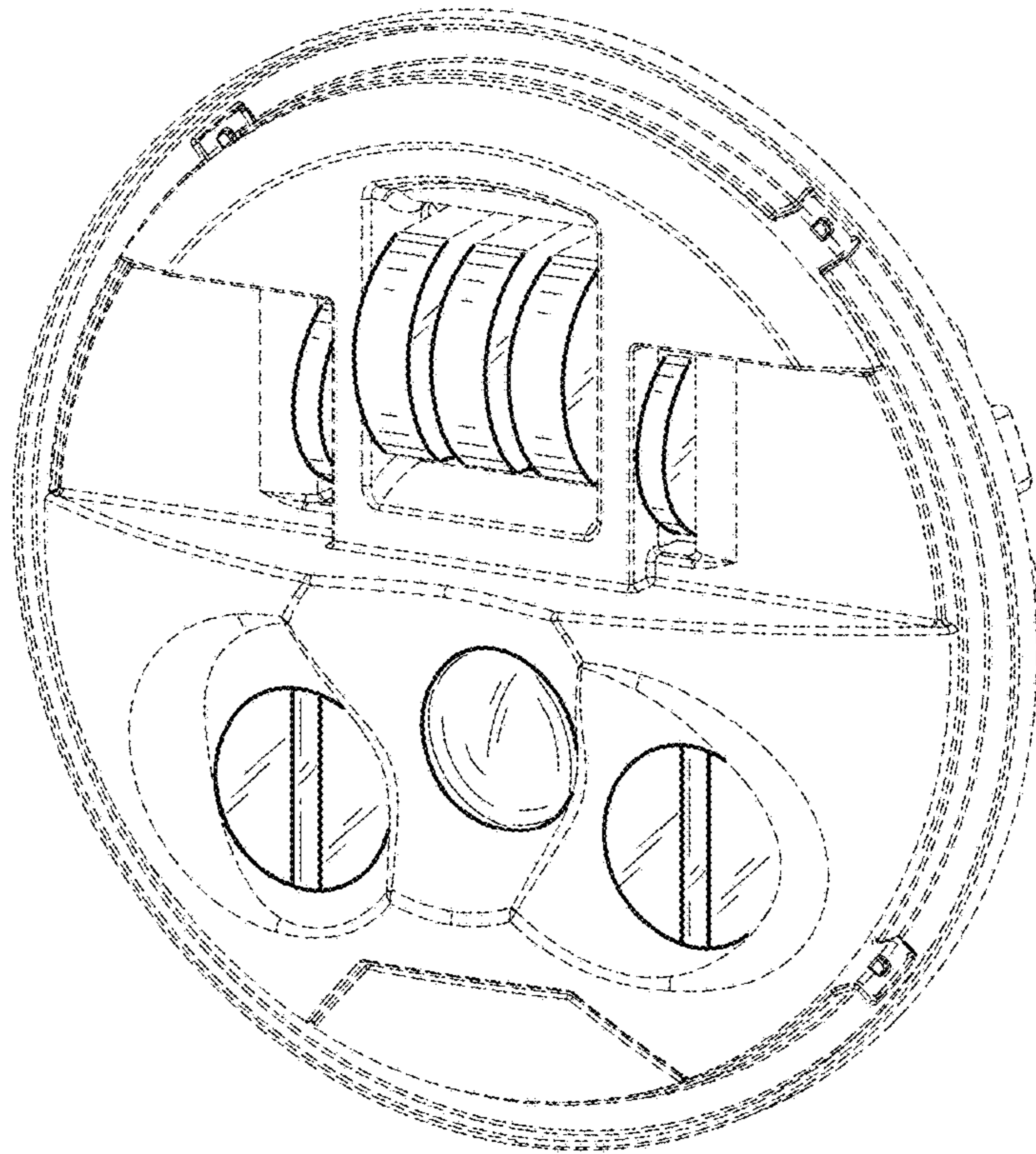


FIG. 1

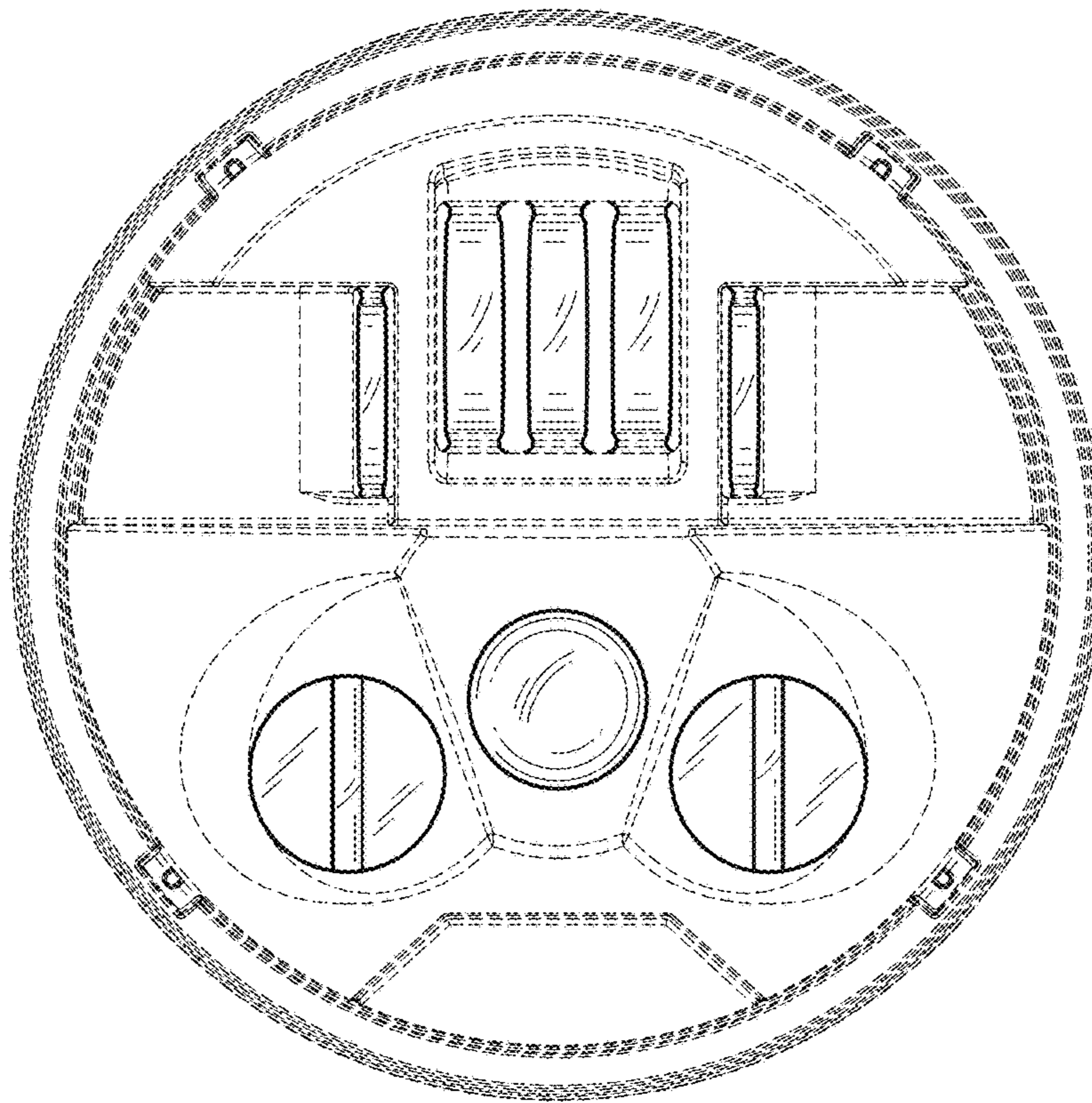


FIG. 2

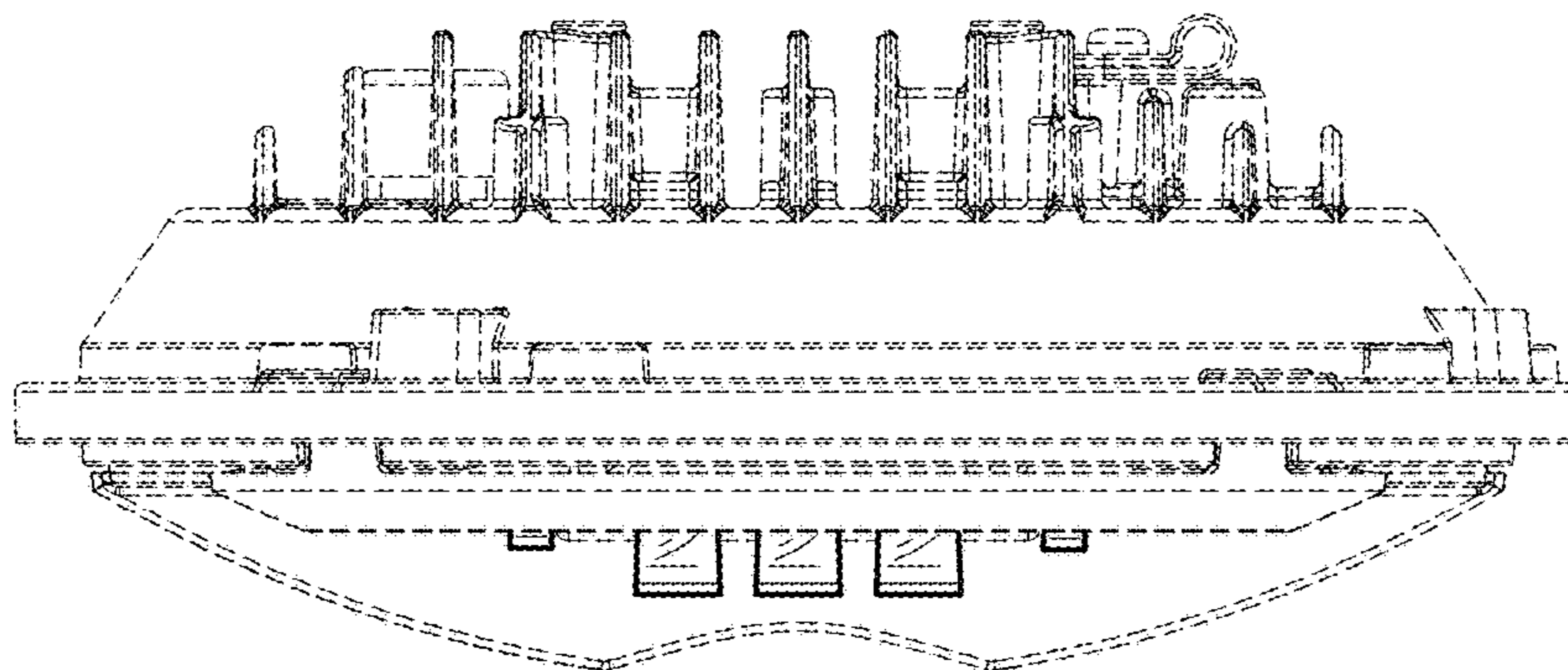


FIG. 3

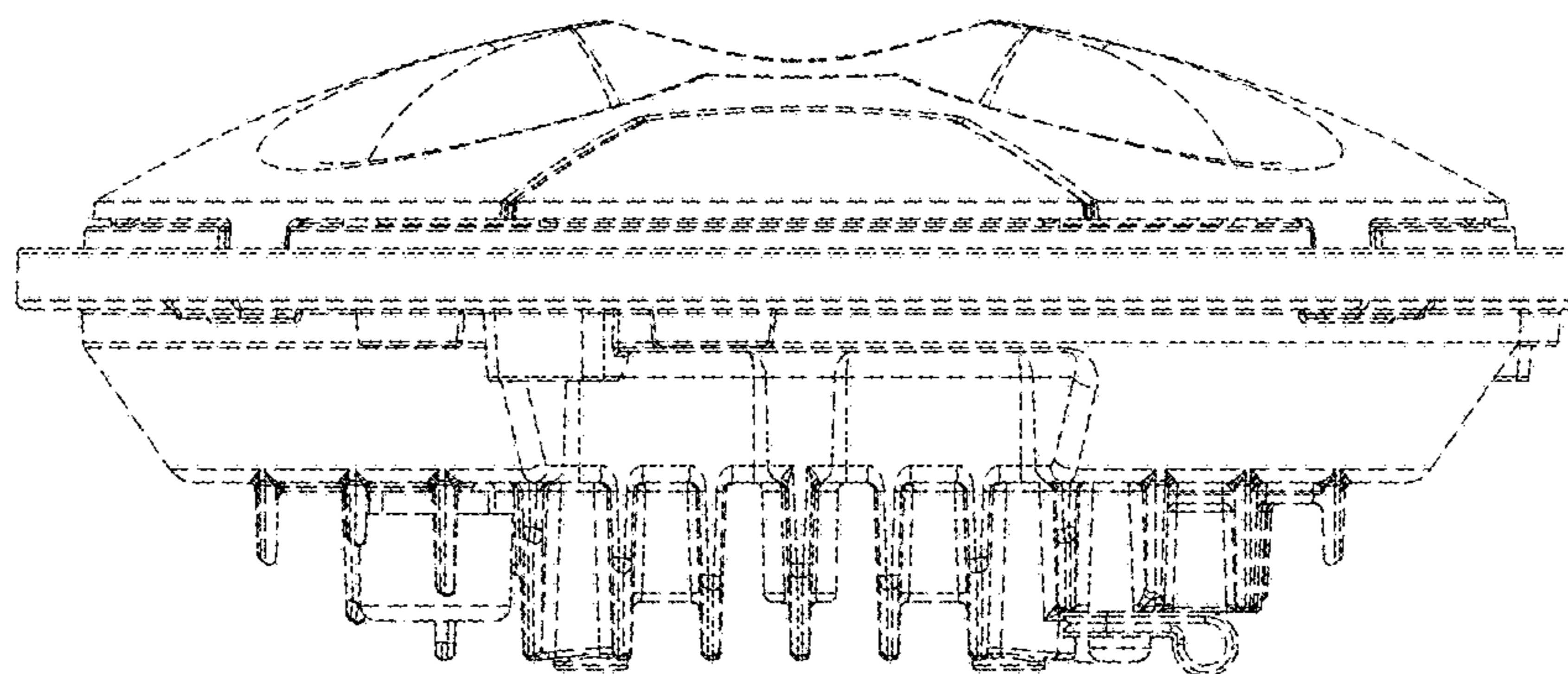


FIG. 4

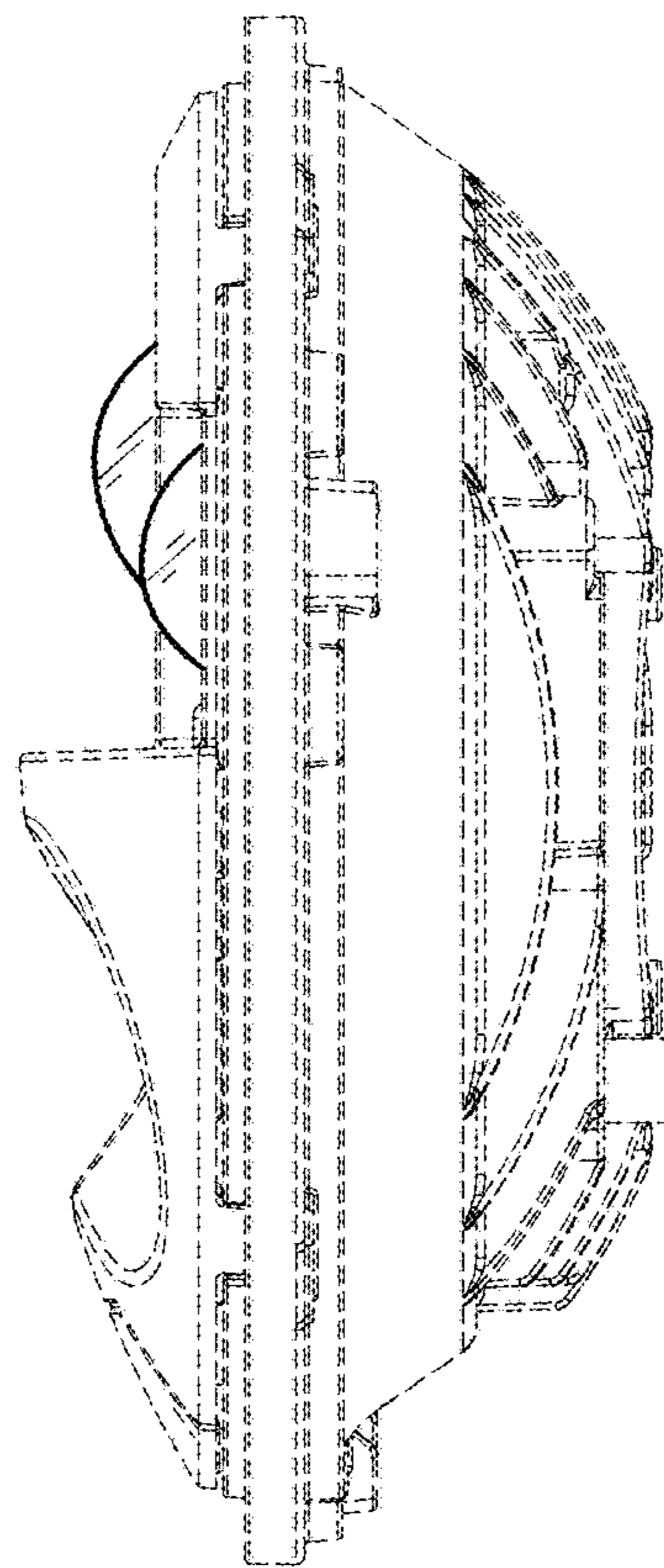


FIG. 5

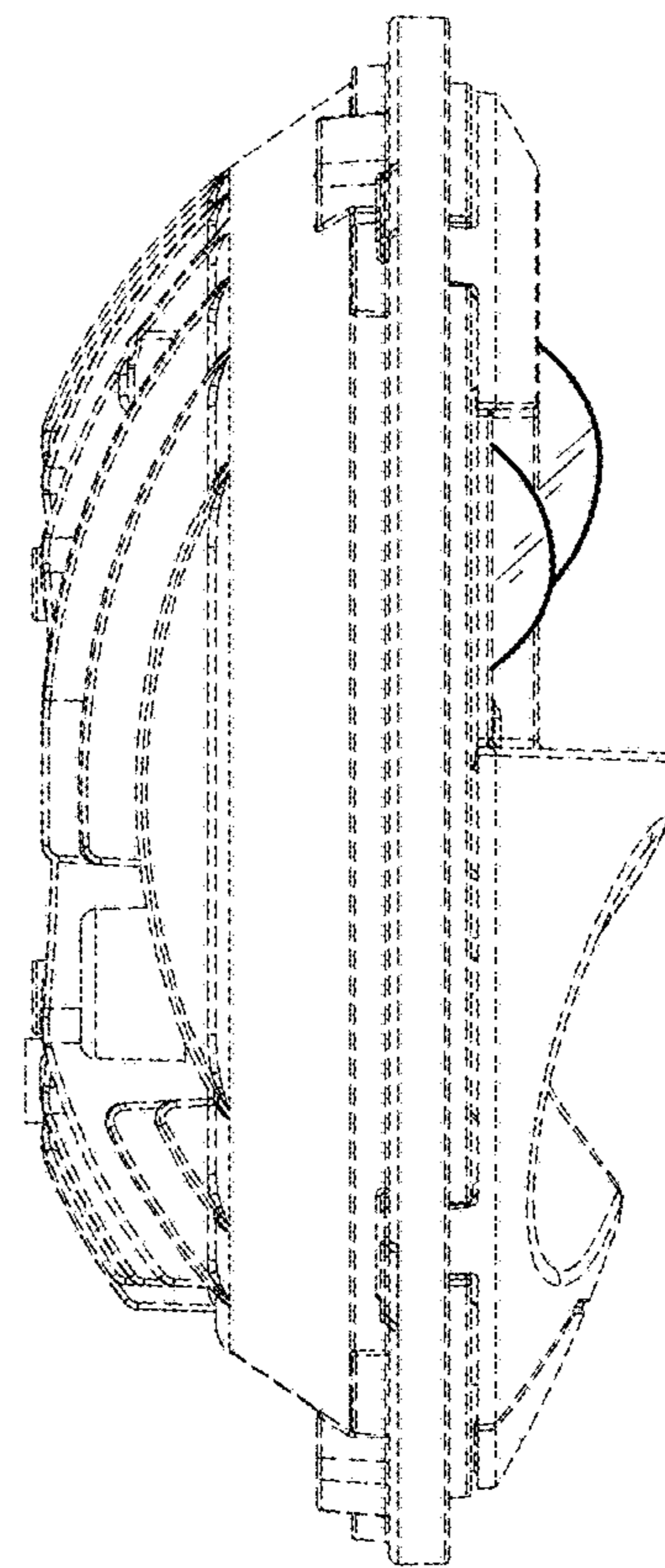


FIG. 6

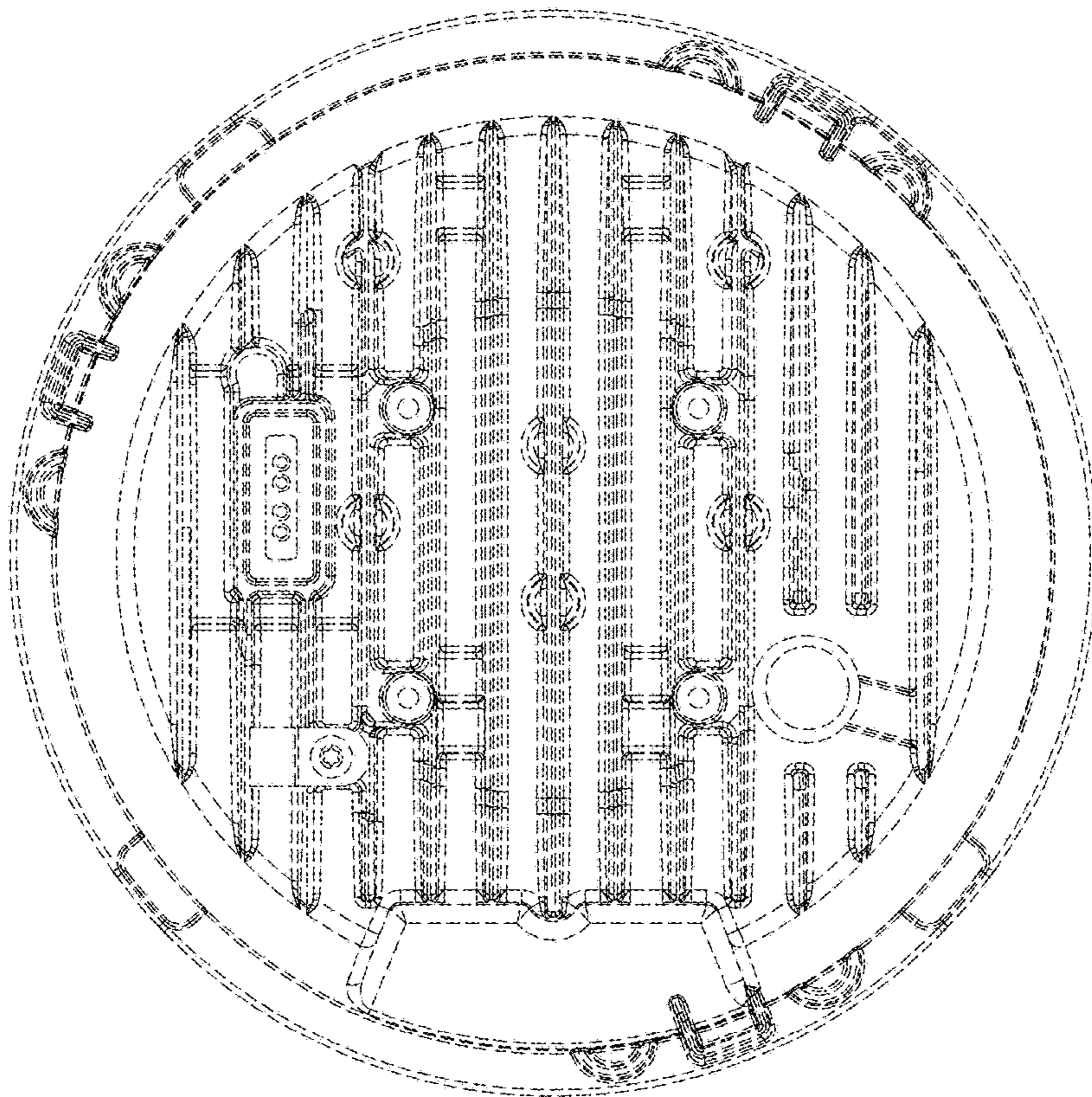


FIG. 7

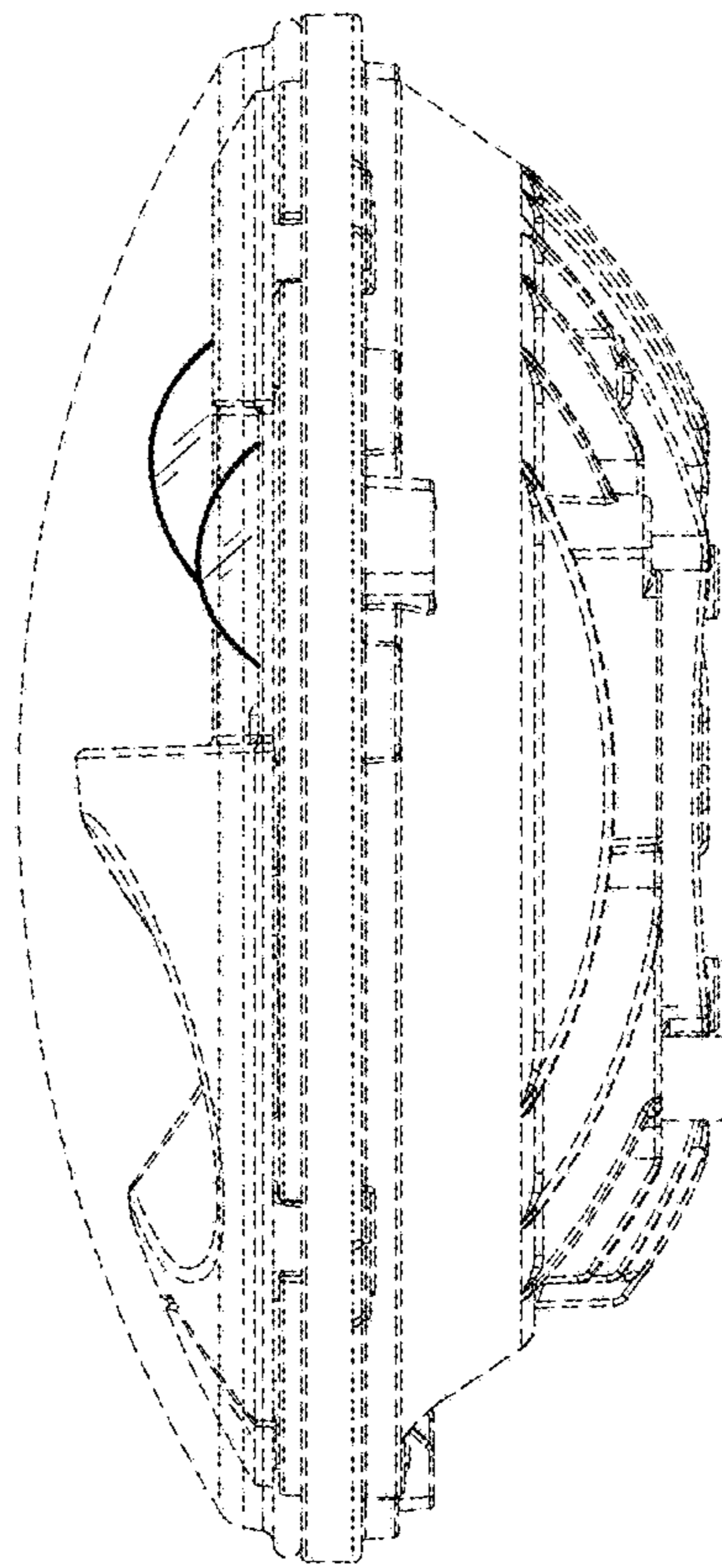


FIG. 8