

US00D869063S

(12) **United States Design Patent** (10) **Patent No.:** **US D869,063 S**
Ahrari et al. (45) **Date of Patent:** **** Dec. 3, 2019**

(54) **LUMINAIRE**

(71) Applicant: **Hubbell Incorporated**, Shelton, CT (US)

(72) Inventors: **Armin Ahrari**, Chino, CA (US);
Edward Duncan, Chino, CA (US);
Kevin Lu, Fountain Valley, CA (US);
Qianshan Li, San Gabriel, CA (US);
Dean Dal Ponte, Glendale, CA (US);
Syed Raza, Rancho Palos Verdes, CA (US);
Benjamin Peirick, Greenville, SC (US)

(73) Assignee: **Hubbell Incorporated**, Shelton, CT (US)

(**) Term: **15 Years**

(21) Appl. No.: **29/677,901**

(22) Filed: **Jan. 24, 2019**

Related U.S. Application Data

(62) Division of application No. 29/602,956, filed on May 5, 2017, now Pat. No. Des. 843,639.

(51) **LOC (12) Cl.** **26-99**

(52) **U.S. Cl.**
USPC **D26/118**

(58) **Field of Classification Search**
USPC D26/63, 65, 72, 85, 87, 89, 118, 120,
D26/121; D23/366

CPC F21S 8/03; F21S 8/031; F21S 8/033; F21S 8/035; F21S 8/036; F21S 8/037; F21V 1/12; F21V 7/05

See application file for complete search history.

(56) **References Cited**

U.S. PATENT DOCUMENTS

D313,669 S 1/1991 Sonneman
D386,801 S * 11/1997 Orgovan D26/72

D398,415 S 9/1998 Markee
D403,458 S 12/1998 Walz
D448,106 S 9/2001 Lin
D469,910 S 2/2003 St. Pierre
D486,600 S 2/2004 Coe
D540,978 S 4/2007 Cormier
D565,233 S 3/2008 Ladewig

(Continued)

OTHER PUBLICATIONS

INVUE Installation Instructions, Cooper Lighting, Peachtree City, GA (4 pages).

Primary Examiner — Brian N. Vinson

(74) *Attorney, Agent, or Firm* — Michael Best & Friedrich, LLP

(57) **CLAIM**

We claim the ornamental design for a luminaire, as shown and described.

DESCRIPTION

FIG. 1 is an upper perspective view of a luminaire showing the new design.

FIG. 2 is a front elevation view of the luminaire shown in FIG. 1.

FIG. 3 is a first side elevation view of the luminaire shown in FIG. 1.

FIG. 4 is a second side elevation view of the luminaire shown in FIG. 1.

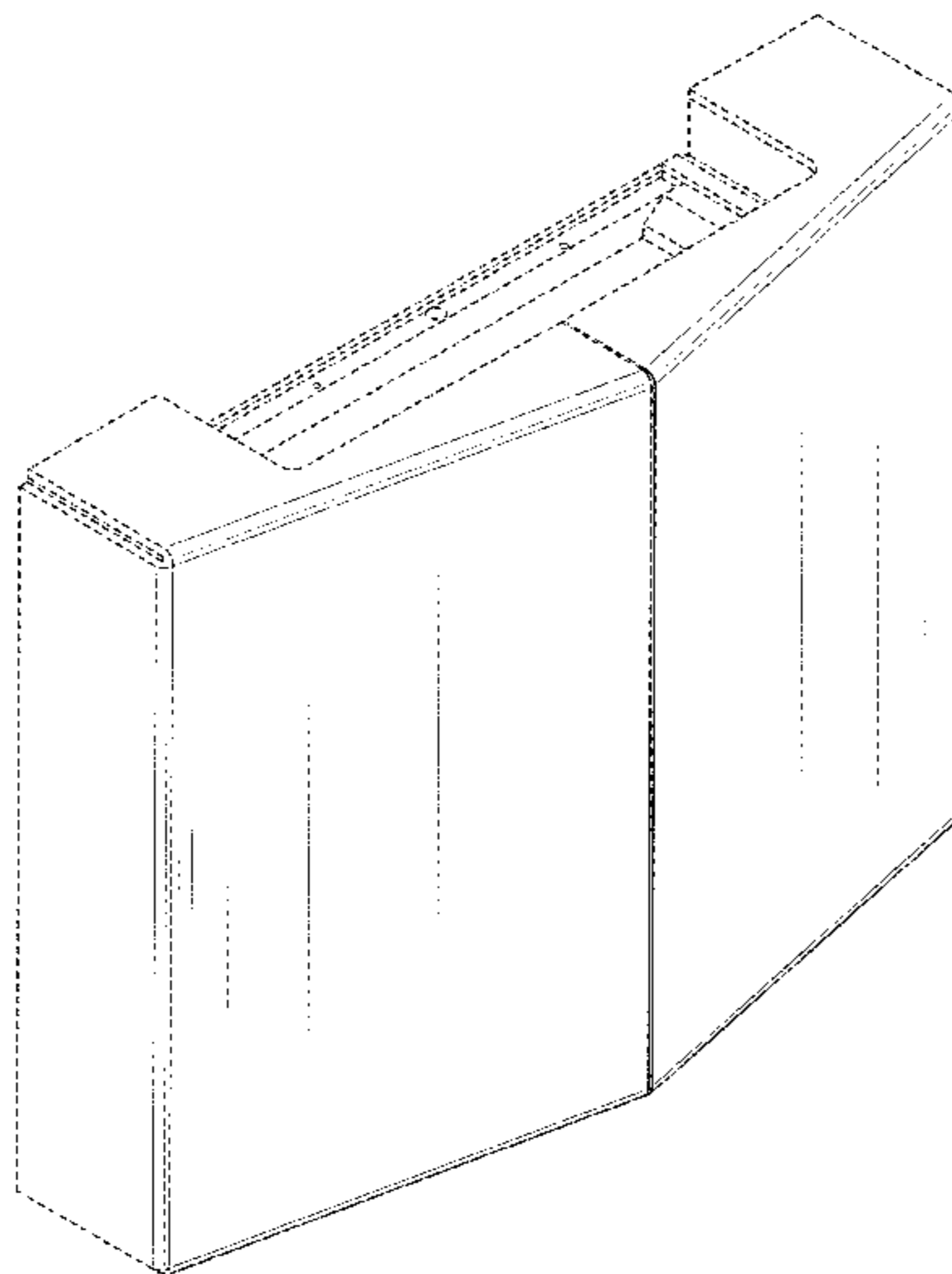
FIG. 5 is a top plan view of the luminaire shown in FIG. 1.

FIG. 6 is a bottom plan view of the luminaire shown in FIG. 1; and,

FIG. 7 is a lower perspective view of the luminaire shown in FIG. 1.

Rear views are not part of the claimed design. The elements shown in broken lines are included for the purpose of illustrating portions of the luminaire that form no part of the claimed design.

1 Claim, 7 Drawing Sheets



(56)

References Cited

U.S. PATENT DOCUMENTS

D589,201 S	3/2009	Sabernig	
D591,883 S *	5/2009	Gill	D26/63
D595,477 S	7/2009	Loret	
D601,746 S	10/2009	Sabernig	
D625,460 S	10/2010	Boissevain	
D646,425 S	10/2011	Crosby	
D697,656 S	1/2014	Sabernig	
D711,040 S	8/2014	Huang	
8,827,505 B1	9/2014	Senkyr	
D735,927 S	8/2015	Lee	
D735,928 S	8/2015	Hawkins	
D748,238 S	1/2016	Mecker	
D757,347 S	5/2016	Chen	
D781,481 S	3/2017	Chen	
D783,880 S	4/2017	McVey	
D784,589 S	4/2017	Chen	
D796,723 S	9/2017	Sonneman	
D796,724 S	9/2017	Sonneman	
D797,985 S	9/2017	Perkins	
D823,521 S *	7/2018	Lehman	D26/85
D829,359 S *	9/2018	Zhang	D26/85
D829,955 S *	10/2018	Recker	D26/85
D829,956 S *	10/2018	Liu	D26/85
D851,811 S *	6/2019	Liu	D26/92

* cited by examiner

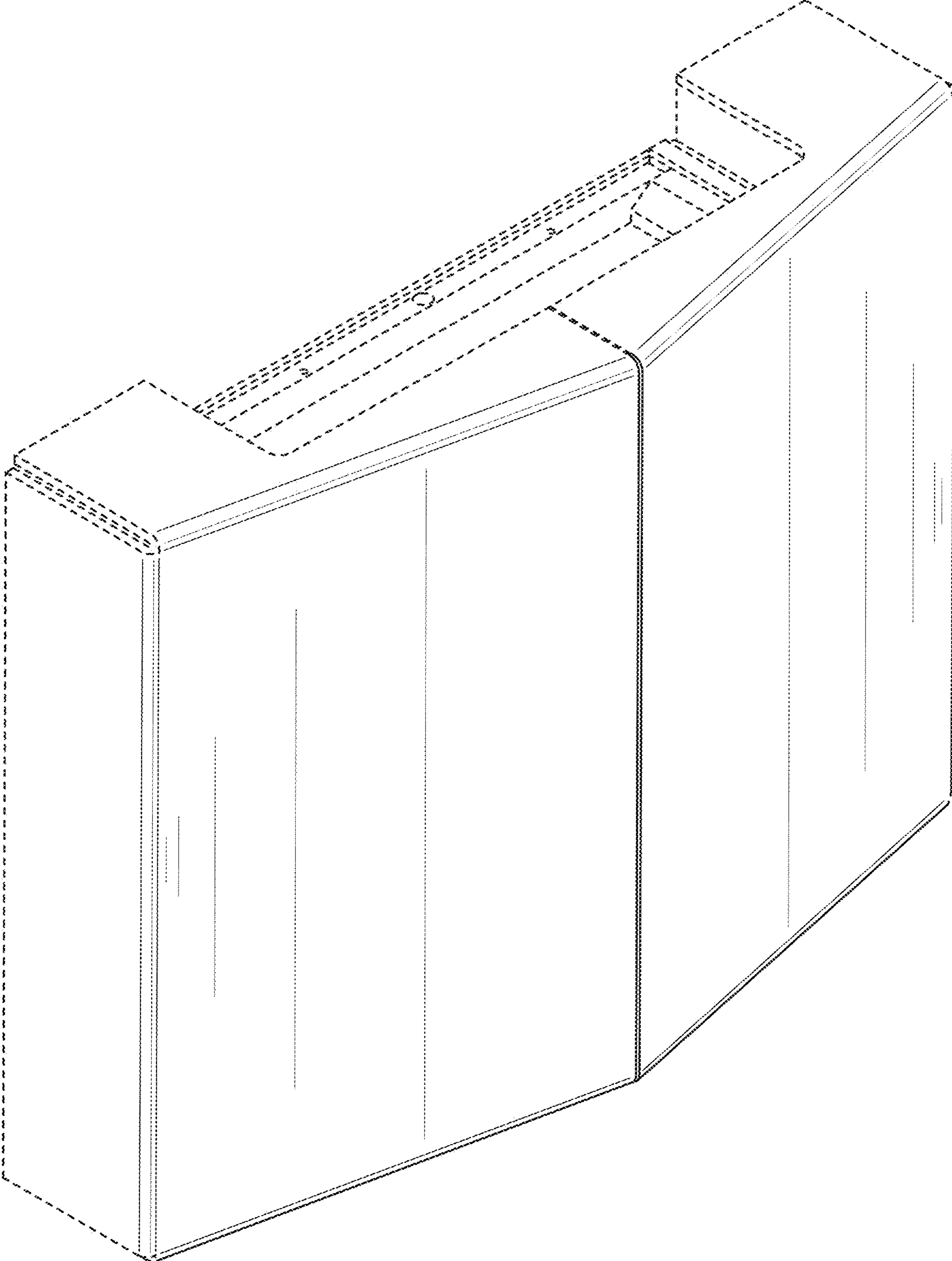


FIG. 1



FIG. 2

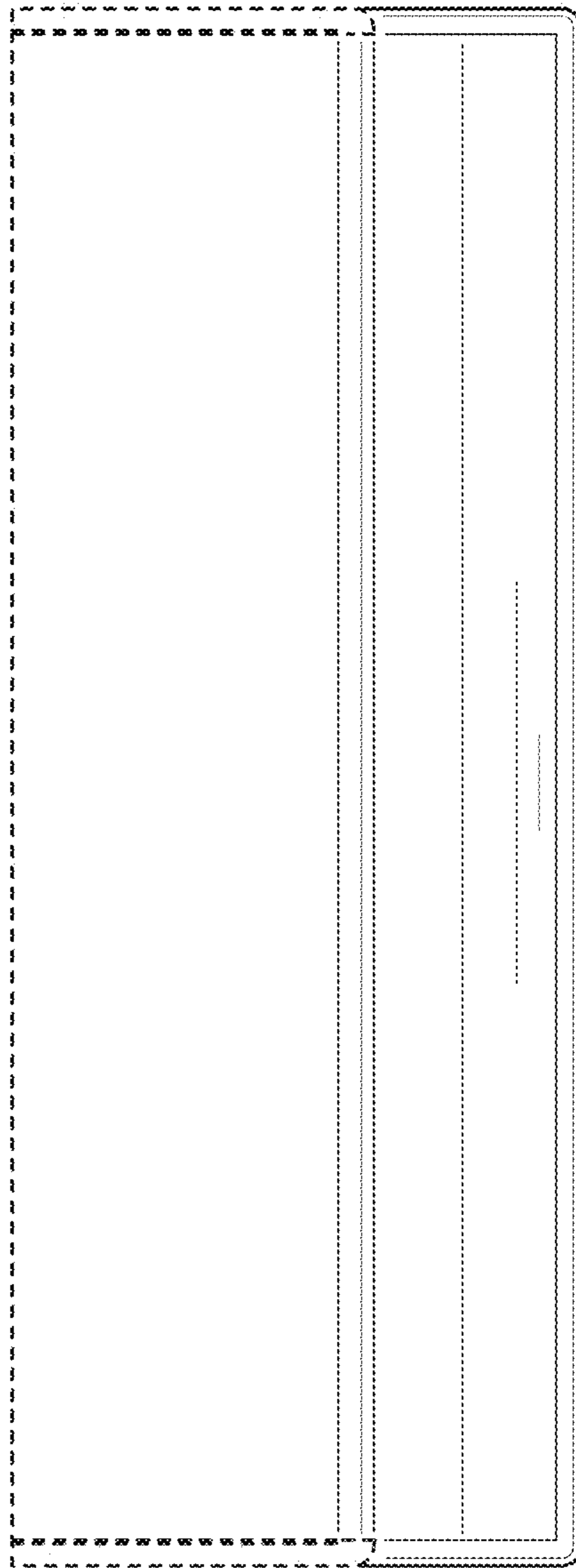


FIG. 3

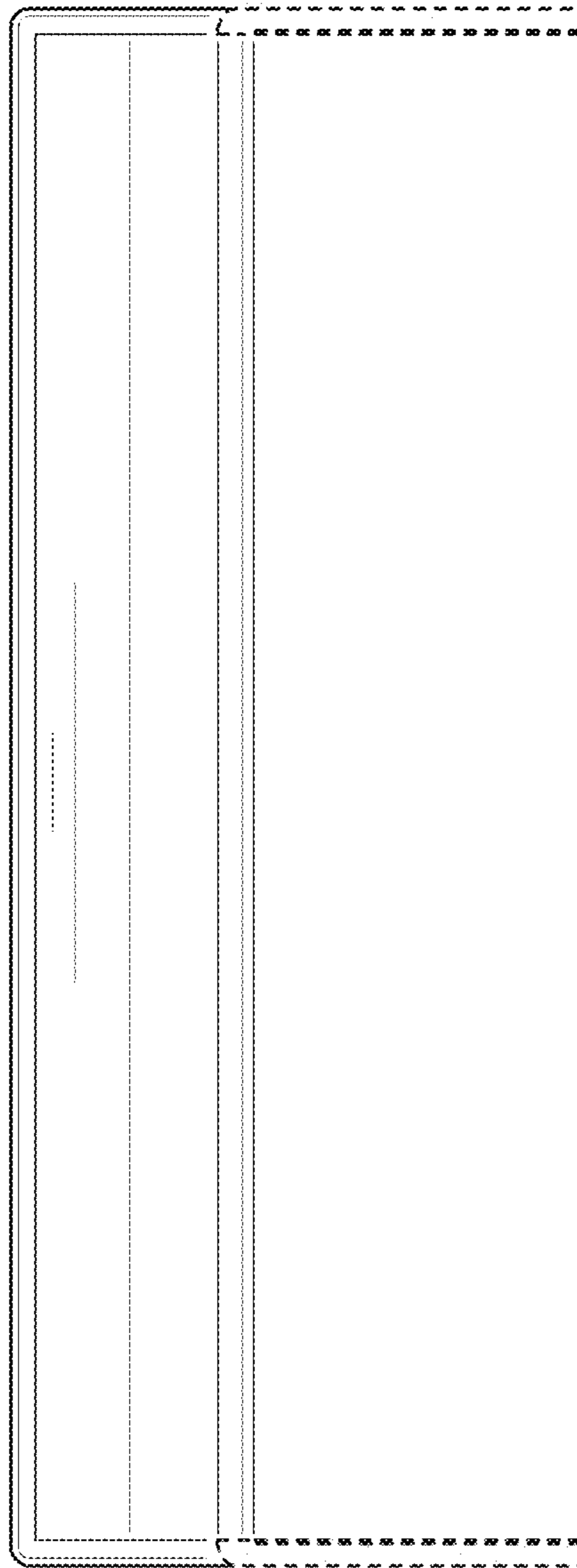


FIG. 4

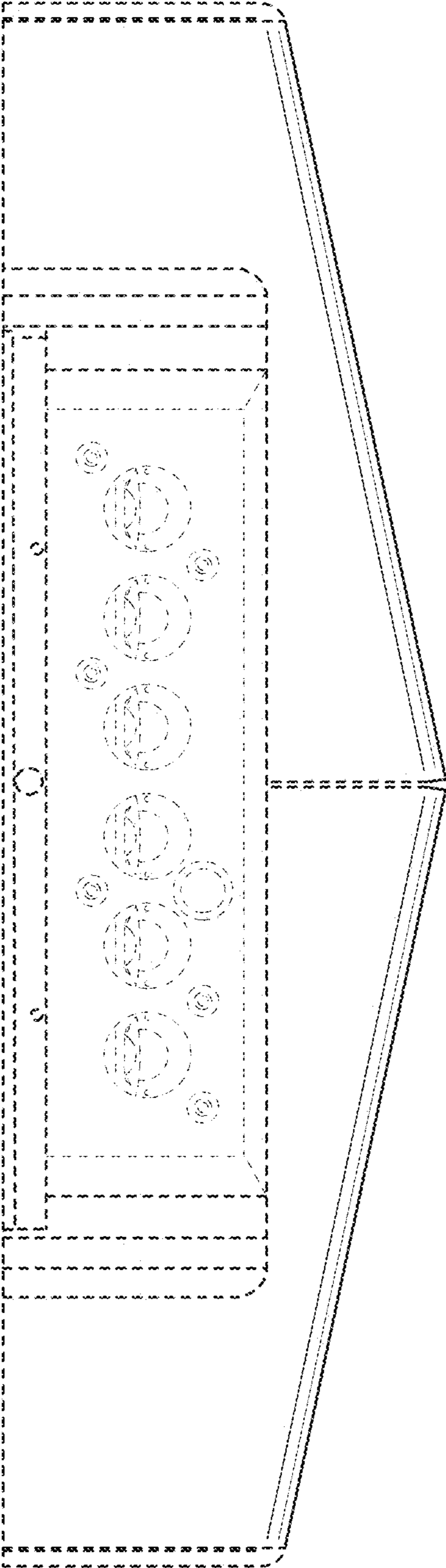


FIG. 5

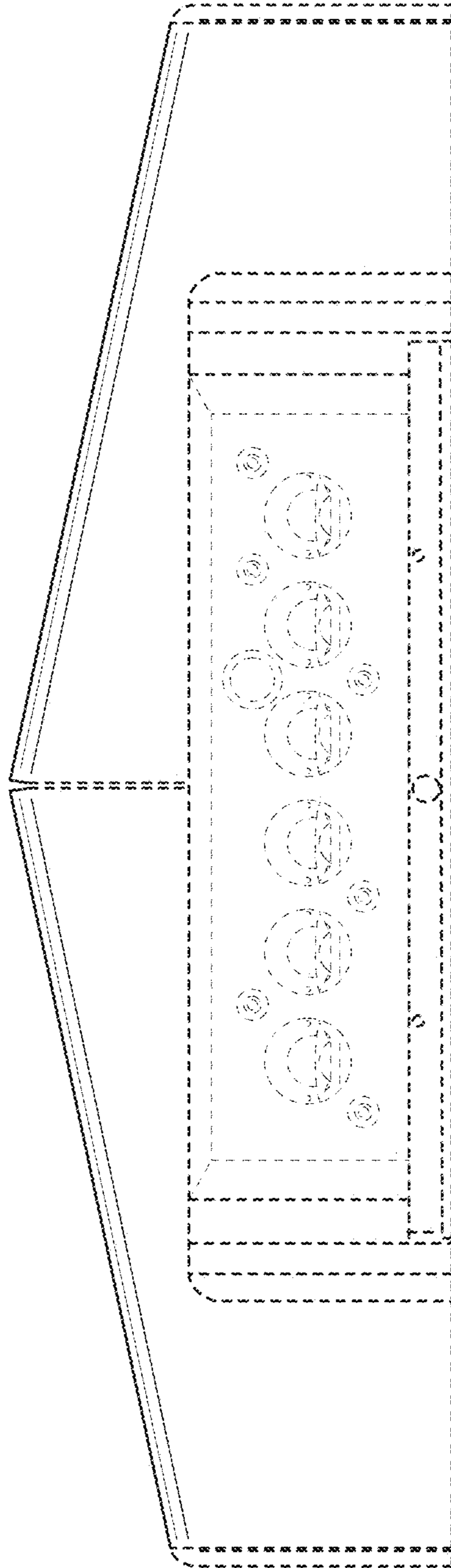


FIG. 6

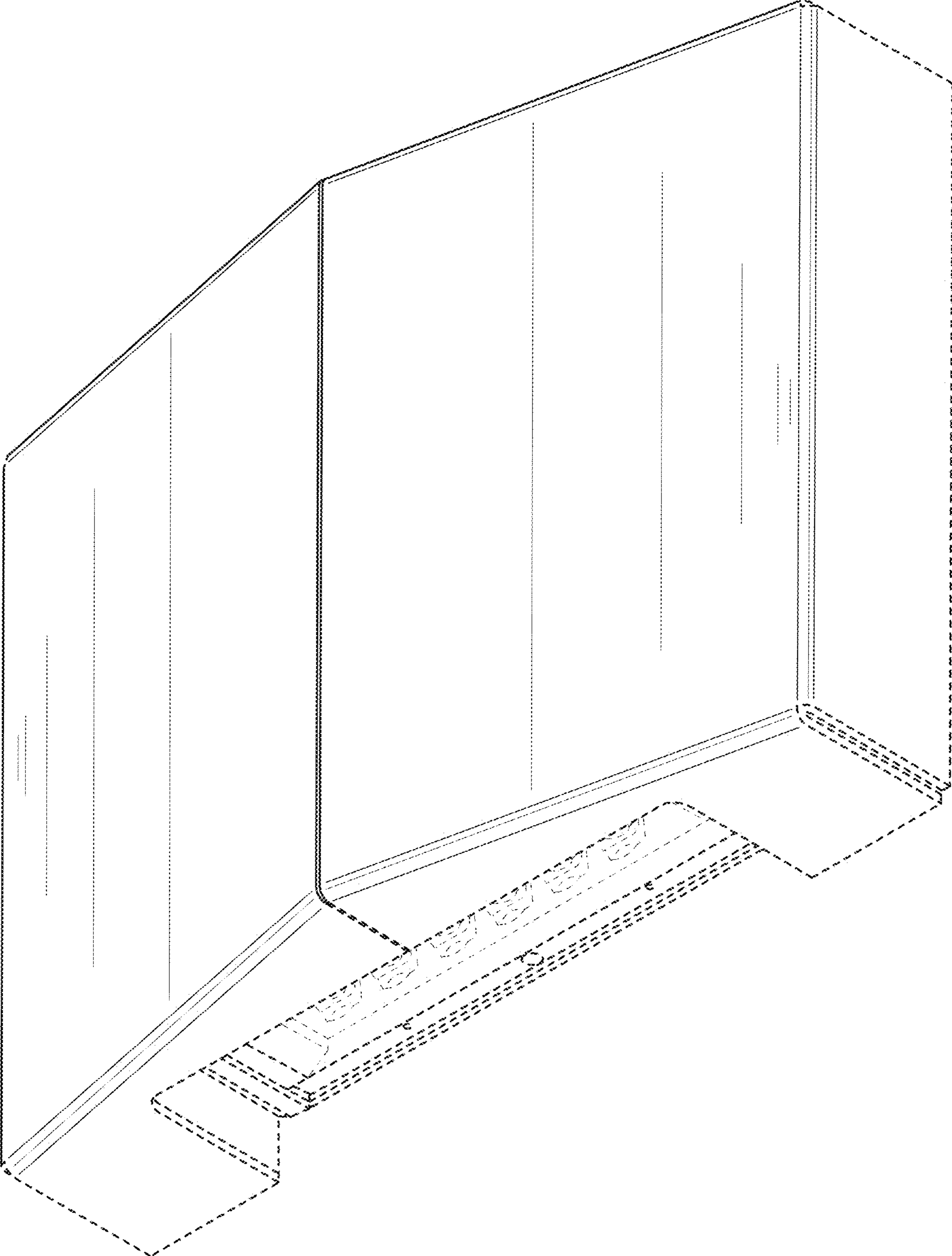


FIG. 7